

Sweepway - Tømmesystem



Mimersvej 5 · DK-8722 Hedensted

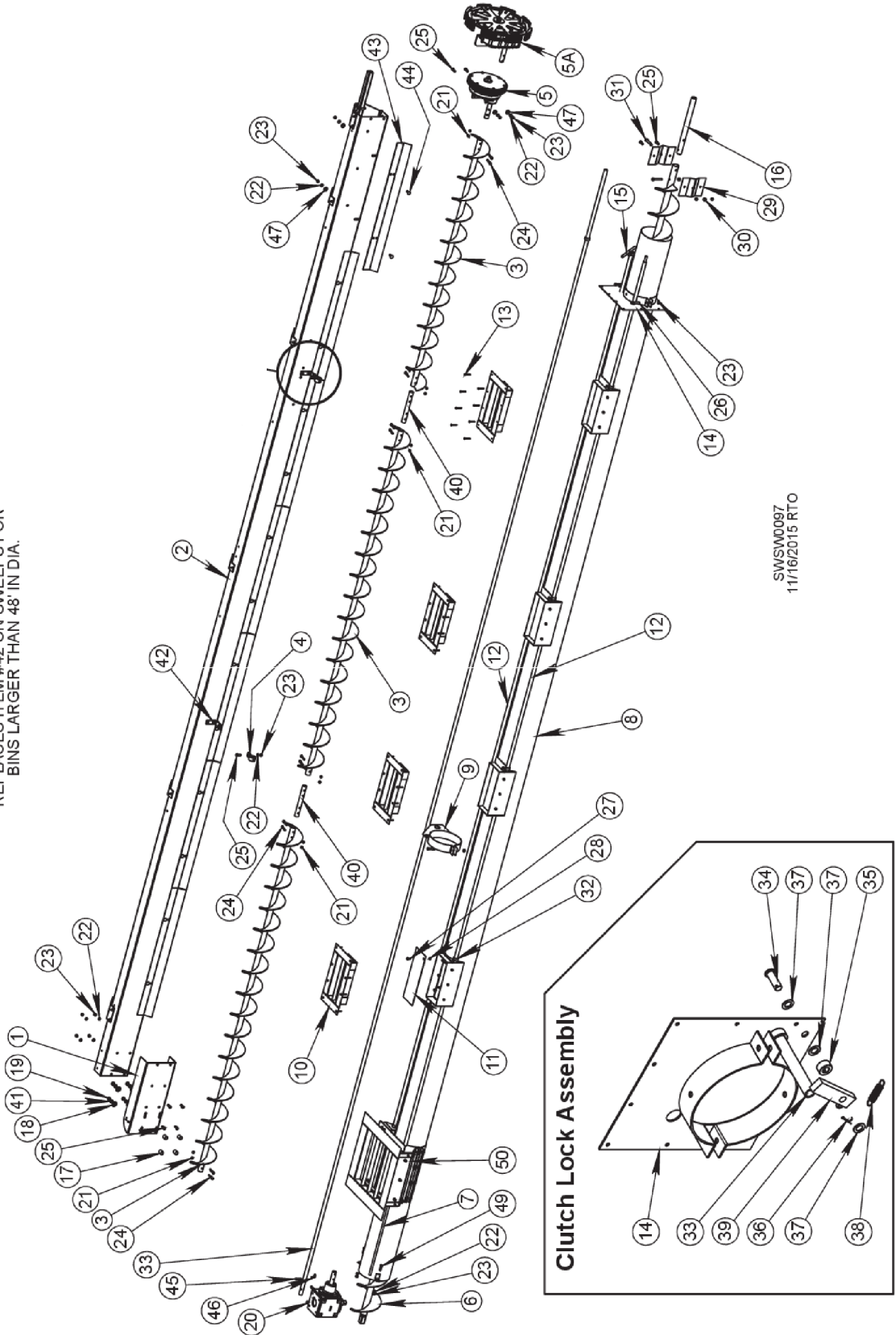
Tel +45 75 68 53 11

www.sukup-eu.com

Sweepway - Tømmesystem

TUBE, AUGERS & SWEEP 6", 8" & 10" (Before 2020)

DETAILED ASSEMBLY AT RIGHT
REPLACES ITEM #42 ON SWEEPS FOR
BINS LARGER THAN 48" IN DIA.



SWSW0097
11/16/2015 RTO

Sweepway - Tømmesystem

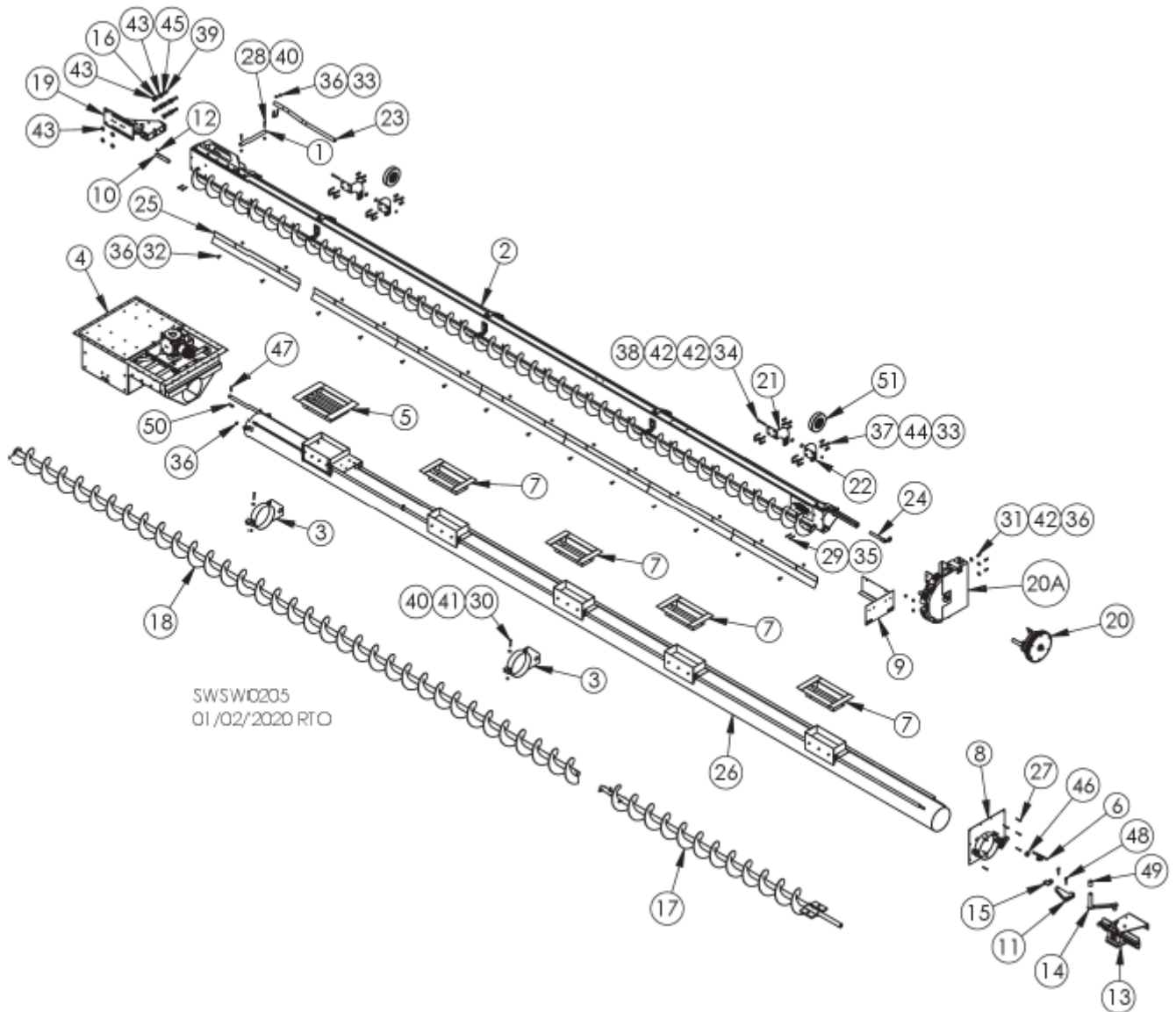
	Description	Qty	6"	8"	10"
1	Extension bracket	1	E6976	E6976	E6976
2	Decal, DANGER, Keep Away when ...	1			
3	Sweep auger * (Need bin dia., pitch, length) **	**	See page 7		
4	Support bushing **	**	E6065	E6065	E6065
5	Reduction wheel (See note below)	1	E6094	E6092	E6093
5A	16-to-1 reduction drive wheel assembly ***	1	E7336	E7338	E7340
6	Unload auger flight assembly **	**	See page 7		
7	Center sump gate pull rod *	1	E61--	E61--	E61--
8	Unload tube *	1	See page 6		
9	Clutch rod support clamp	1	E5314	E5364	E53162
10	Top half intermediate sump **	**	E5410	E5410	E5411
11	Intermediate slide gate **	**	E5409	E5409	E5409
12	Intermediate sump gate pull rod *	1			
13	Tek screw, #10 - 16 x 1-1/2" **	**	J0502	J0502	J0502
14	Bin collar w/ clutch lock assy.	1	E5405	E5406	E5362
15	Intermediate sump rod handle, 7/8"	1	E5404	E5404	E5404
16	Auger shaft, 1998	1	E90061	E54151	E54142
17	Spacer, 6 & 8", 1/2" ID x 1"; 10", 1/2" ID x 1-3/8"	4	E6014	E6014	E6013
18	Flat washer, 7/16"	4	J1120	J1120	J1120
19	Hex nut, 7/16" x 14	4	J1035	J1035	J1035
20	Stud bolt, 7/16 - 14 x 2-3/4", PLT, GR5	4	J07211	J07211	J07211
21	Lock nut, 5/16" - 18	**	J1010	J1010	J1010
22	Split lock washer, 3/8"	**	J1205	J1205	J1205
23	Hex nut, 3/8 - 16, PLT	**	J1020	J1020	J1020
24	Bolt, 5/16 - 18 x 1-3/4", GR5	**	J0570	J0570	J0570
25	Bolt, 3/8 - 16 x 1", GR5 **	**	J0606	J0606	J0606
26	Threaded bolt, 3/8 - 16 x 1-3/4", GR5, FL	**	J0640	J0640	J0640
27	Bolt, 5/16 - 18 x 3/4", GR5	**	J0520	J0520	J0520
28	Hex nut, 5/16" - 18, PLT	**	J1002	J1002	J1002
29	Corn flipper only	2	E5689	E5689	E5689
30	Lock nut, 5/16" - 18	**	J1010		
	Lock nut, 7/16" - 14	**		J1034	J1034
31	Bolt, 5/16 - 18 x 2", GR5	**	J0585		
	Bolt, 7/16 - 14 x 2-1/2"	**		J0720	
	Bolt, 7/16 - 14 x 3"	**			J0722
32	32 Shaft collar, 7/8"	**	J1330	J1330	J1330
33	33 Clutch pull rod *	1			
34	Picker pin, 1/2 x 1-1/2"	2	J1550	J1550	J1550
35	Shaft collar, 1/2"	1	J1320	J1320	J1320
36	Cotter, 1/8 x 1"	1	J1420	J1420	J1420
37	Machine bushing, 1/2" x 18ga	3	J1250	J1250	J1250
38	Pawl spring	1	J2360	J2360	J2360
39	Clutch latch	1	E5408	E5408	E5408
40	Connecting shaft	**	E6704-	E6704-	E6704-
41	Split lock washer, 7/16, PLT	4	J1210	J1210	J1210
42	Assembly bushing support **	**	E6089	E6090	E6091
43	Galvanized backboard scraper, 36"	**	E8430	E8430	E8430
	Galvanized backboard scraper, 18"	**	E8431	E8431	E8431
44	Carriage bolt, 3/8 x 1"	**	J06064	J06064	J06064
45	Picker pin, 3/8 x 1-1/2"	**	J1541	J1541	J1541
46	Hairpin clip, .09 x 2	**	J5410	J5410	J5410
47	Flat washer, 3/8"	**	J1117	J1117	J1117
48	Carrier wheel, 8" and 10"	**		E6099	E6099
49	Bolt, 3/8 - 16 x 1-1/4"	**	J0616	J0616	J0616
50	Independent intermediate sump	1		E53989	E53964
	* Specify bin size **Quantities may vary w/bin size *** For use in bin 36' dia and				

5 Old green backboard

6" E6041 8" E6042 10" E6043

Sweepway - Tømmesystem

8" & 10" SWEEPWAY – After 2020



REF. #	DESCRIPTION	QTY.	8" PART #	10" PART #
1	Backboard pivot rod	1	E0107	E0107
2	Auger/backboard assy.	1	*	*
3	Clutch rod support clamp	2	E5364	E53162
4	Sump & gearbox assy.	1	E53878	E53341
5	Independent intermediate sump top	1	E53989	E53964
6	Independent intermediate sump pull rod handle	1	E5404	E5404
7	Intermediate sump top	*	E5410	E5411
8	Bin collar w/ clutch lock assy.	1	E5462	E5362
9	Sweep stop	1	E5514	E5514

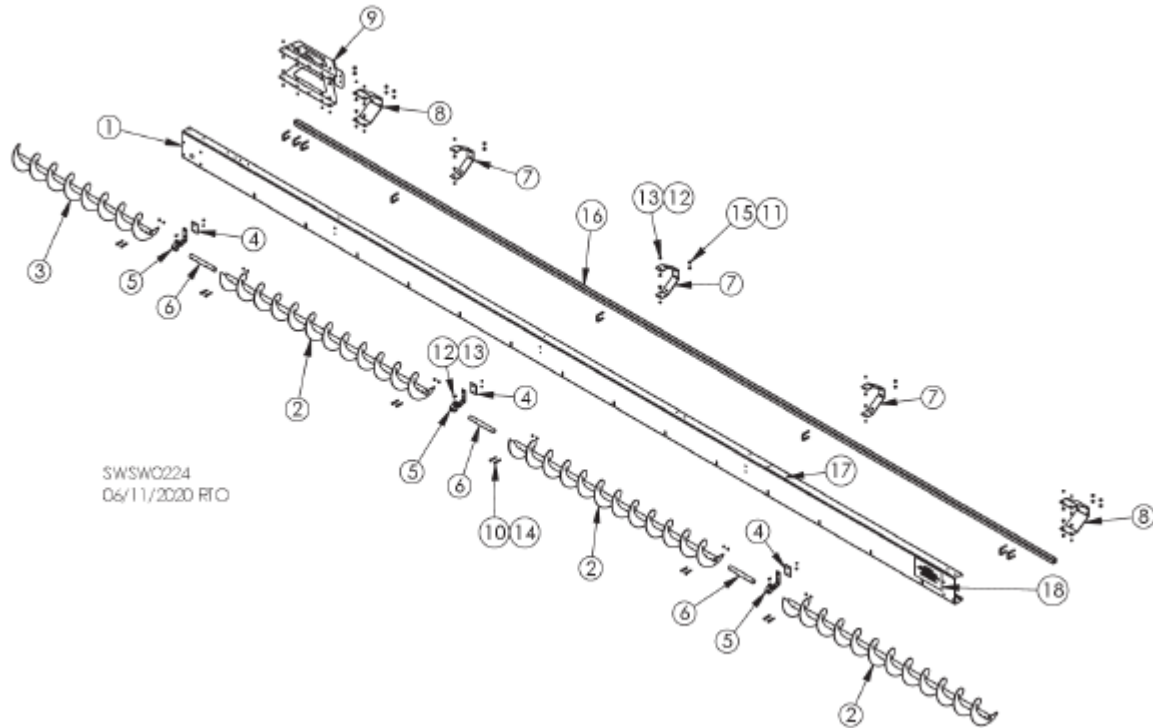
Sweepway - Tømmesystem

10	Drive shaft	1	E59051	EU8210
11	Center sump connector weldment	1	E5914	E5997
12	Key, 1/4" x 1"	1	E5915	E5915
13	Rack & pinion opener assy.	1	E5919	E5969
14	Opener handle	1	E5967	E5967
15	Intermediate sump connector weldment	1	E5998	E5998
16	Spacer	4	E6014	E60143
17	Unload auger, outer	1	*	*
18	Unload auger inner, 8" x 20'	*	E6472	E6497
19	Backboard mount	1	E69772	E69772
20	Reduction drive wheel assy., 4:1	1	E6092	NA
20A	Reduction drive wheel assy., 16:1, green poly	1	E7438	E7430
	Reduction drive wheel assy., 16:1, black rubber	1	E7438P	E7430P
21	Rear carrier wheel bracket, right	2	E7740	E7740
22	Rear carrier wheel bracket, left	2	E7741	E7741
23	Cluster Buster tube	1	E79681	E79681
24	Cluster Buster plug/rod assy.	1	E7985	E7985
25	Scraper, 36"	*	E8430	E8430
26	Unload tube assy.	1	*	*
27	Screw, 1/4 – 14 x 1-3/4", self-drill	8	J04981	J04981
28	Screw, 5/16 – 18 x 1-1/2"	2	J0565	J0565
29	Screw, 5/16 – 18 x 1-3/4"	4	J0570	J0570
30	Screw, 5/16 – 18 x 2", self-drill	4	J0584	J0584
31	Screw, 3/8 – 16 x 1"	3	J0606	J0606
32	Carriage bolt, 3/8" x 1"	*	J06064	J06064
33	U-bolt, 3/8 – 16 x 1-1/4"	*	J0644	J0644
34	Screw, 3/8 - 16 x 3"	*	J0661	J0661
35	Lock nut, 5/16" – 18	4	J1010	J1010
36	Flange lock nut, 3/8" – 16	*	J1017	J1017
37	Hex nut, 3/8" – 16	*	J1020	J1020
38	Lock nut, 3/8" – 16	*	J1025	J1025
39	Hex nut, 7/16" – 14	4	J1035	J1035
40	Whiz nut, 5/16" - 18	6	J1110	J1110
41	Flat washer, 5/16"	4	J1111	J1111
42	Flat washer, 3/8"	7	J1117	J1117
43	Flat washer, 7/16"	12	J1120	J1120
44	Lock washer, 3/8"	*	J1205	J1205
45	Split lock washer, 7/16"	4	J1210	J1210
46	Shaft collar, 7/8", (2x738)	1	J1330	J1330
47	Picker pin, 3/8" x 1-1/2"	1	J1541	J1541
48	Quick release pin, 3/8" x 1"	2	J1554	J1554
49	Rubber cap, 1"	1	J2232	J2232
50	Hairpin clip, .09 x 2"	1	J5410	J5410
51	Rubber wheel, 6", 3/8" ID, w/bushing	*	J7271	J7271

* Varies with bin size

Sweepway - Tømmesystem

8" BACKBORD – After 2020

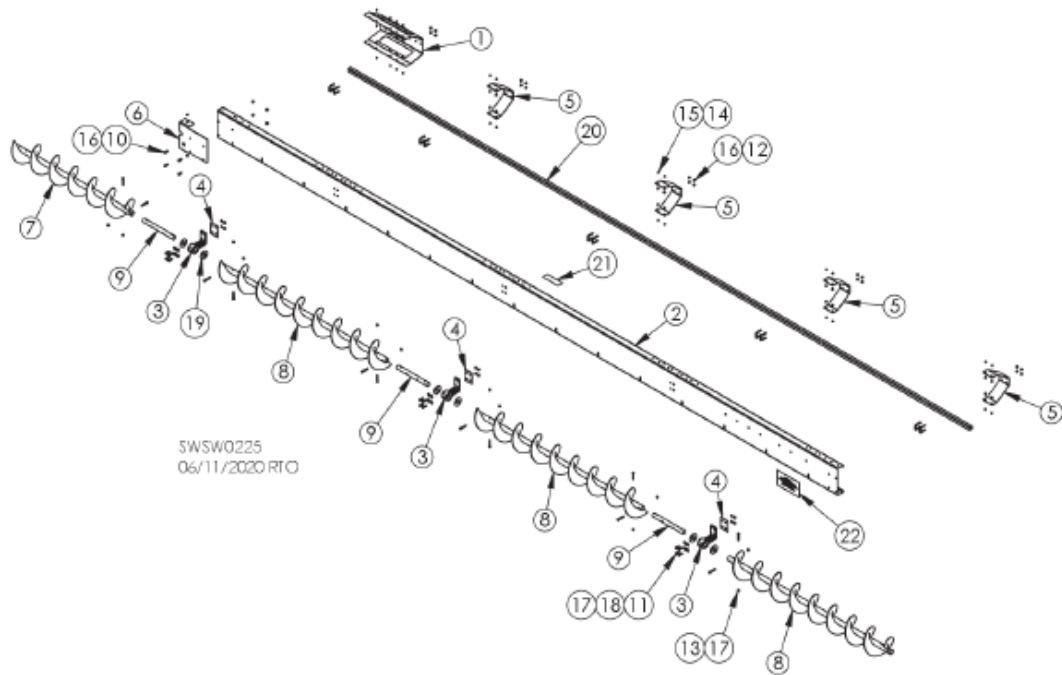


REF.	DESCRIPTION	QTY.	PART #
1	Backboard	1	*
2	Auger, 70-1/2"	*	E11880
3	Inner auger	*	*
4	Bearing support spacer	*	E60632
5	Auger support bushing assy.	*	E60901
6	Auger connector shaft, 1" OD, 8-1/2" long	*	E6704-03
7	Torsion bar bracket	*	E6791
8	Torsion bar bracket, split	*	E6792
9	Torsion bar pivot bracket	1	E69771
10	Screw, 5/16 – 18 x 1-3/4"	*	J0570
11	Square U-bolt, 3/8" - 16	*	J0644
12	Huckbolt, 1/4" x 5/8"	*	J0892
13	Huckbolt sleeve, 1/4"	*	J0893
14	Lock nut, 5/16" – 18	*	J1010
15	Lock nut, 3/8" – 16	*	J1024
16	Tubing, 1-1/4" sq.	*	*
17	Decal, Danger, Auger Running	1	L03061
18	Decal, Mount Carrier Wheel	*	L0918
19	Decal, Important:3/8" dia. bolts	1	L0919

*Varies with bin size

Sweepway - Tømmesystem

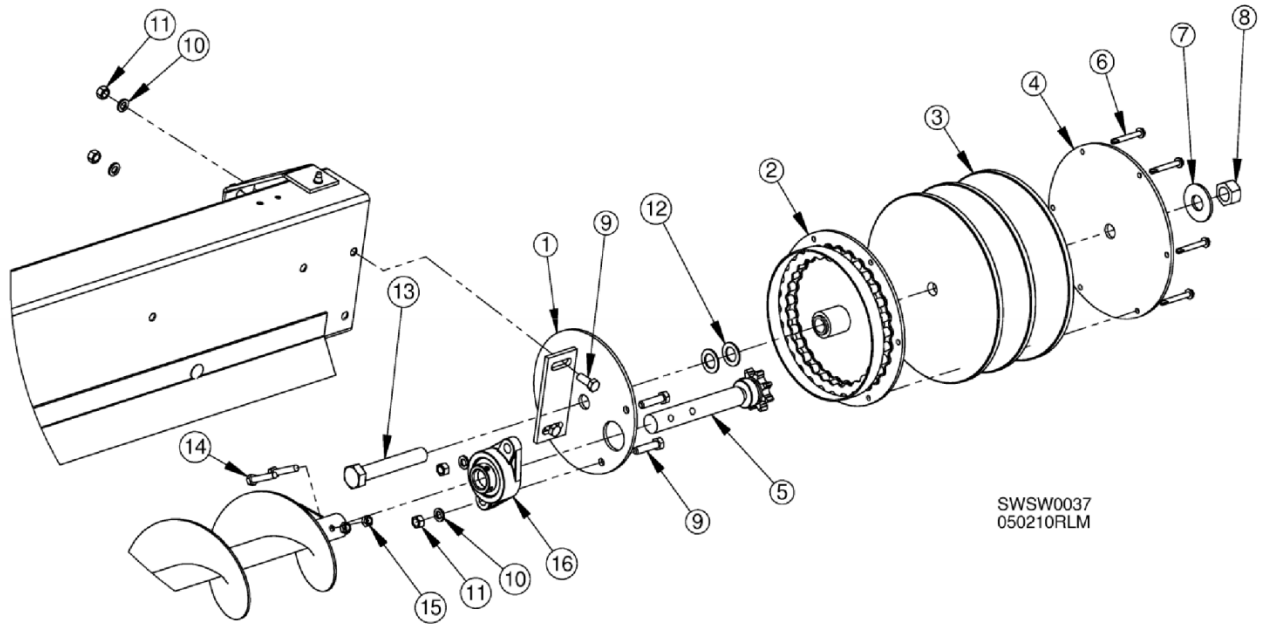
10" BACKBORD – After 2020



REF. #	DESCRIPTION	QTY.	PART #
1	Torsion bar pivot bracket	1	E0104
2	Backboard	1	*
3	Auger support bushing assy.	*	E60917
4	Bearing support spacer	*	E60914
5	Torsion bar bracket, split	*	E6789
6	Backboard pivot mount	1	EU8200
7	Auger, 49.5'	1	EU8205
8	Auger, 69.5'	*	EU8222
9	Auger connector shaft, 1-1/4" OD, 13" long	*	EU9044
10	Screw, 3/8 – 16 x 1"	4	J0606
11	Bolt, 3/8 - 16 x 1-1/4"	*	J0616
12	Square U-bolt, 3/8" - 16	*	J0644
13	Screw, 3/8 – 16 x 2-1/4"	*	J0652
14	Huckbolt, 1/4" x 5/8"	*	J0892
15	Huckbolt sleeve, 1/4"	*	J0893
16	Lock nut, 3/8" – 16, nylon	*	J1024
17	Lock nut, 3/8" - 16	*	J1025
18	Flat washer, 3/8"	*	J1117
19	Flat washer, 1-1/8"	*	J1157
20	Tubing, 1-1/4" sq.	*	*
21	Decal, Danger, Auger Running	1	L03061
22	Decal, Mount Carrier Wheel	2	L0918
23	Decal, Important:3/8" dia. bolts	1	L0919

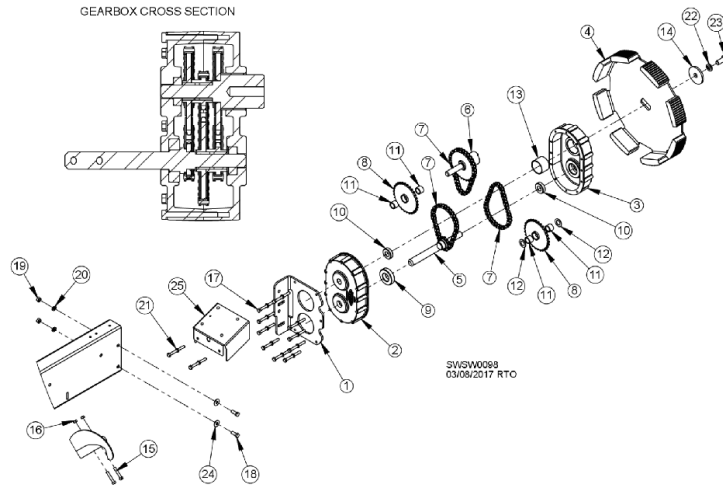
*Varies with bin size

4 – TO – REDUCTION DRIVE WHEEL



REF.#	DESCRIPTION	Qty	6"	8"	10"
	Complete wheel	1	E6094	E6092	E6093
	Complete wheel, old green model	1	E6041	E6042	E6043
1	6" assembly mount, 2010	1	E6095		
	8" assembly mount, split, w/ brng.	1		E6096	
	10" assembly mount, split, w/ brng.	1			E6097
2	Back plate w/ roller, 2010	1	E6087	E6087	E6087
2A	Brass bushing for drive wheel (New)	1	J00745	J00745	J00745
	Brass bushing for drive wheel (Old)	1	J0083	J0083	J0083
3	10" rubber ring, 2000	3	E60121	E60121	E60121
4	Back plate, 9.25" Dia., 2010	1	E6088	E6088	E6088
5	Drive shaft w/ 8-tooth sprocket	1	E6049	E6049	E6049
6	Self-drilling screw, 1/4 - 14 x 2-1/4, PLT	6	J05041	J05041	J05041
7	Flat washer, 3/4", PLT	1	J1130	J1130	J1130
8	Lock nut, 3/4" - 10, GR5	4	J1057	J1057	J1057
9	Screw, 3/8 - 16 x 1", PLT, GR5	4	J0606	J0606	J0606
10	Split lock washer, 3/8", PLT	4	J1205	J1205	J1205
11	Hex nut, 3/8" - 16, PLT	4	J1020	J1020	J1020
12	Machine bushing, 3/4 x 1-1/4", 14ga, N-rim	2	J1260	J1260	J1260
13	Screw, 3/4 - 10 x 4-1/2", PLT, GR5	1	J0817	J0817	J0817
13A	Screw 1/2-13, 4, 4.00 plt GR5 (f. old drwheel)	1	J0756	J0756	J0756
14	Screw, 5/16 - 18 x 1-3/4", PLT, GR5	2	J0570	J0570	J0570
15	Lock nut, 5/16" - 18, PLT	2	J1010	J1010	J1010
16	1" flange bearing w/ locking collar	1	J00031-SKF	J00031-SKF	J00031-SKF

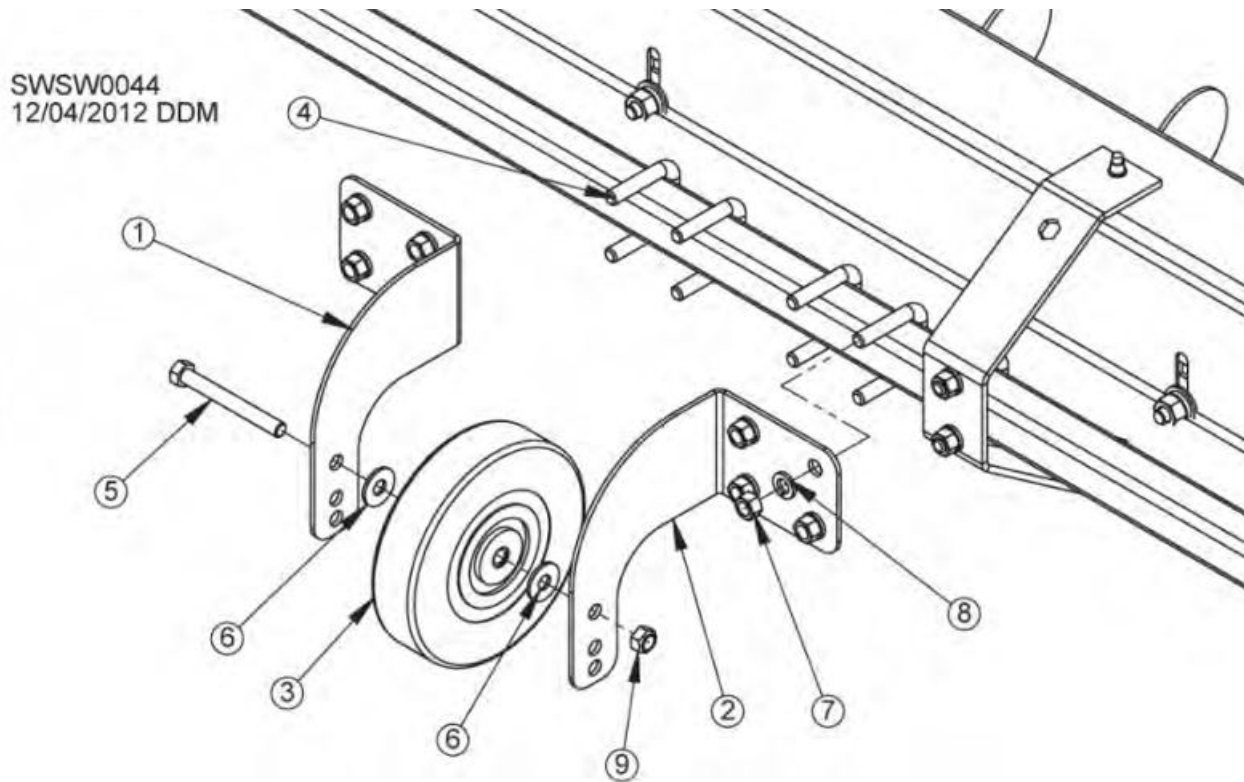
16 – TO – 1 REDUCTION DRIVE WHEEL



REF.#	DESCRIPTION	QTY.	6"	8"	10"
	Complete gearbox w/ bracket. 20 cm backboard	1		E7338R	E7340R
	Complete gearbox w/ bracket. 25 cm backboard	1	E7336-DK	E7338	E7340
	Complete gearbox w/bracket. 25 cm. backboard - after 2020	1		E7438	E7430
1	Gearbox bracket	1	E7306	E7308	E7310
2*	Gearbox inside side cover	1	E7317	E7317	E7317
3*	Gearbox outside cover	1	E7318	E7318	E7318
4	Wheel, 17" OD	1	E7349	E7349	E7349
5	Gearbox input shaft weldment w/ sprocket	1	E7320	E7320	E7320
6	Gearbox output shaft weldment w/ sprocket	1	E7319	E7319	E7319
7	Chain, # 40, 37 links	3	E7327	E7327	E7327
8	Sprocket tree,4A30-40A12, 1" bore	2	J7317	J7317	J7317
9	Bearing, 1-1/4" ID, 2-1/2" OD	1	J0060	J0060	J0060
10	Bearing, 3/4" ID, 1-5/8" OD	2	J00703	J00703	J00703
11	Bushing, 3/4" ID, 1-3/4" OD	4	J00745	J00745	J00745
12	Thrust washer, 3/4" ID, 1-2/4" OD	2	J00746	J00746	J00746
13	Bushing, 1-15/16" ID, 2-1/8" OD	1	J00817	J00817	J00817
14	Flat washer, 11/16"	1	E7322	E7322	E7322
15	Screw, 5/16 - 18 x 1-3/4"	2	J0570	J0570	J0570
16	Lock nut, 5/16" – 18	2	J1010	J1010	J1010
17	Screw, 5/16 – 18 x 3"	12	J05952	J05952	J05952
18	Screw, 3/8 - 16 x 1"	2	J0606	J0606	J0606
19	Hex nut, 3/8" – 16	2	J1020	J1020	J1020
20	Split lock washer, 3/8"	2	J1205	J1205	J1205
21	Split lock washer, 5/16"	12	J1200	J1200	J1200
22	Split lock washer, 5/8"	1	J1218	J1218	J1218
23	Screw, 5/8 - 11 x 1-1/2"	1	J0781	J0781	J0781
24	Flat washer, 3/8"	2	J1117	J1117	J1117
25	Gearbox reclaim shield	1	E7358	E7358	E7355

* Must be replaced together if replacement necessary

REAR CARRIER WHEEL



REF. #	DESCRIPTION	QTY.	PART
	Rear carrier wheel kit		E6099
1	Rear carrier wheel bracket, left	1	E7741
2	Rear carrier wheel bracket, right	1	E7740
3	Rubber wheel, 6", w/ bushing	1	J7271
4	U-bolt, 3/8" - 16	4	J0644
5	Bolt, 3/8 - 16 x 3-1/4"	1	J0663
6	Flat washer, 3/8"	2	J1117
7	Hex nut, 3/8" -16	8	J1020
8	Split lock washer, 3/8"	8	J1205
9	Lock nut, 3/8" - 16	1	J1025

Sweepway - Tømmesystem

BEFORE 2020

6" tømmesystem (Diameter på fejesneglen er ca. 10 cm)

Silo diameter	1. Snegl (ved gear)	2. snegl	3. snegl		
15'	E81119-02				
18'	E81109-02				
21'	E81149-02				
24'	E81169-02				
27'	E81189-02				
30'	E81229-02				
33'	E81249-02	E81249-02			
36'	E81269-02	E81269-02			
42'	E81269-02	E81269-02	E83069-02		
48'	E81269-02	E81269-02	E81272-02		

8" tømmesystem (Diameter på fejesneglen er ca. 15 cm.)

Silo diameter	1. Snegl (ved gear)	2. snegl	3. snegl	4. Snegl	
18'	E81309-02				
21'	E81369-02				
24'	E81409-02				
27'	E81449-02	E81449-02			
30'	E81509-02	E81509-02			
36'	E81529-02	E81529-02			
42'	E81529-02	E81529-02	E81609-02		
48'	E81529-02	E81529-02	E81629-02		
54'	E81529-08	E81529-08	E81669-08	E81709-08	
60'	E81529-08	E81529-08	E81669-08	E81729-08	

10" tømmesystem (Diameter på fejesneglen er ca. 18 cm.)

Silo diameter	1. Snegl (ved gear)	2. snegl	3. snegl	4. Snegl	5. snegl
24'	E81789-02				
27'	E81809-02	E81889-02			
30'	E81849-02	E81889-02			
33'	E81869-02	E81889-02			
36'	E81889-02	E81889-02			
42'	E81889-02	E81889-02	E81909-02		
48'	E81889-02	E81889-02	E81969-02		
54'	E81889-02	E81889-02	E81969-02	E82009-02	
60'	E81889-02	E81889-02	E81969-02	E82029-02	
72'	E81889-02	E81889-02	E81969-02	E82032-02	E82032-02

AFTER 2020

6" tømmesystem (Diameter på fejesneglen er ca. 10 cm)

Silo diameter	1. Snegl (ved gear)	2. snegl	3. snegl	4. Snegl	5. snegl
15'	E81119-02				
18'	E81109-02				
21'	E81149-02				
24'	E81169-02				
27'	E81189-02				
30'	E81229-02				
33'	E81249-02	E81249-02			
36'	E81269-02	E81269-02			
42'	E81269-02	E81269-02	E83069-02		
48'	E81269-02	E81269-02	E81272-02		

8" tømmesystem (Diameter på fejesneglen er ca. 15 cm.)

Silo diameter	1. Snegl (ved gear)	2. snegl	3. snegl	4. Snegl	5. snegl
18'	E11885 (216)				
21'	E11883 (79)	E11880 (179)			
24'	E11884 (124)	E11880 (179)			
27'	E11883 (79)	E11880 (179)	E11882 (88)		
30'	E11884 (124)	E11880 (179)	E11882 (88)		
33'	E11883 (79)	E11880 (179)	E11880 (179)		
36'	E11884 (124)	E11880 (179)	E11880 (179)		
42'	E11881 (120)	E11880 (179)	E11880 (179)	E11882 (88)	
48'	E11881 (120)	E11880 (179)	E11880 (179)	E11880 (179)	
54'	E11881 (120)	E11880 (179)	E11880 (179)	E11880 (179)	E11882 (88)
60'	E11881 (120)	E11880 (179)	E11880 (179)	E11880 (179)	E11880 (179)

10" tømmesystem (Diameter på fejesneglen er ca. 20 cm.)

Silo diameter	1. Snegl (ved gear)	2. snegl	3. snegl	4. Snegl	5. snegl
24'	EU8205 (126)	EU8222 (177)			
27'	EU8260 (80)	EU8222 (177)	EU8221 (85)		
30'	EU8205 (126)	EU8222 (177)	EU8221 (85)		
33'	EU8260 (80)	EU8222 (177)	EU8222 (177)		
36'	EU8205 (126)	EU8222 (177)	EU8222 (177)		
42'	EU8205 (126)	EU8222 (177)	EU8222 (177)	EU8221 (85)	
48'	EU8205 (126)	EU8222 (177)	EU8222 (177)	EU8222 (177)	
54'	EU8205 (126)	EU8222 (177)	EU8222 (177)	EU8222 (177)	EU8221 (85)
60'	EU8205 (126)	EU8222 (177)	EU8222 (177)	EU8222 (177)	EU8222 (177)

(XXX) angiver sneglevindingens længde i cm.