

# Fastir - Omrører

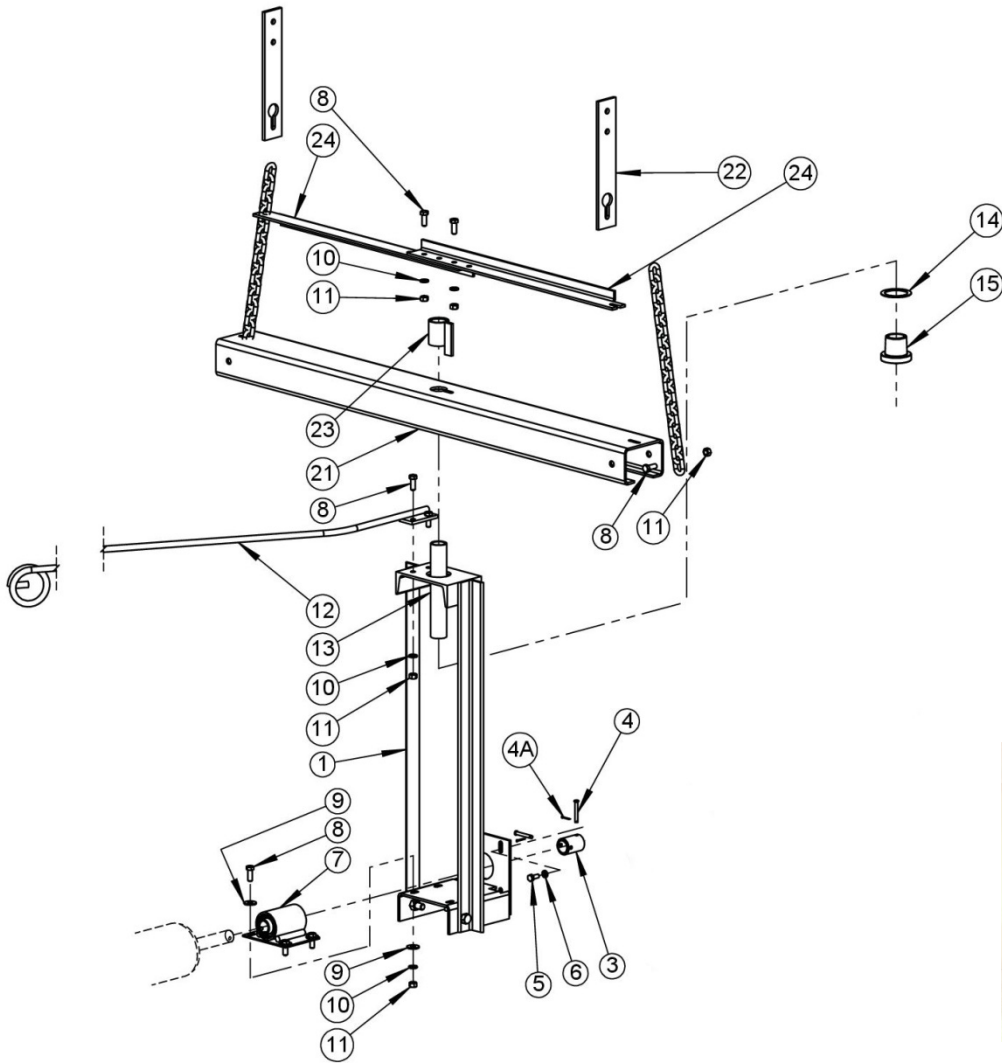


Mimersvej 5 · DK-8722 Hedensted

Tel +45 75 68 53 11

[www.sukup-eu.com](http://www.sukup-eu.com)

CENTER HANGER ASSEMBLY



120A00-14-CDK050– Rotating contact for stirring system, 16 pol, 2 + 3 augers.  
 120A00-14-CDK070 - Rotating contact for stirring system, 20 pol, 4 + 5 augers.



202SK1SI63-F1-2KL – Gearmotor for rotating bar on stirring system, 1 phase, 2 capacitor system (older)



202SK1SI63-40-F3 - Gearmotor for rotating bar on stirring system, 3 phase system



102A5318-DK Ny kobling til omrørebom

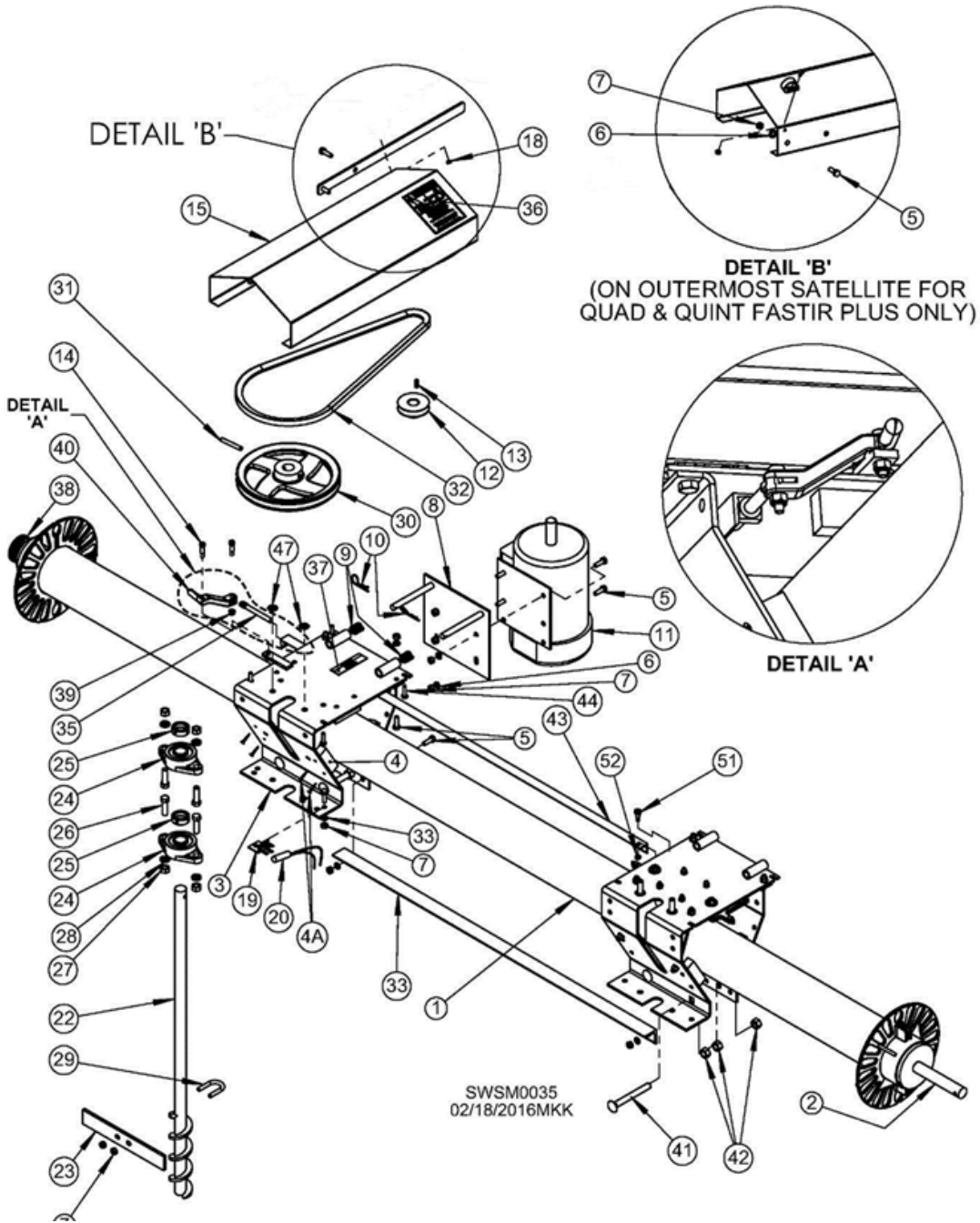


102A5318 Rørforbindelse 1" til omrøremotor og bom

## Fastir - Omrøre

Ref#	Description	Qty	Part nr.
<b>1</b>	Center Hanger (Fastir)	1	
	18'-54'		A7504
	60'		A75043
<b>2</b>	Gearmotor (prior 2014)	1	202SK1SI63-F1-2KL
	Gearmotor, 3 Faset		202SK1SI63-40-F3
	Screen for gearmotor/bom		3117035B
<b>3</b>	Tube Coupler, 1" ID	1	J5318
<b>3A</b>	Claw coupler (DK) complete	1	102A5318-DK
<b>4</b>	Safty-pin (incl. Split J1419 (4A))	2	J1538
	Safety-pin DK		J1538-DK
<b>4A</b>	Split		J1419
<b>5</b>	Bolt 5/16 - 18 x 3/4 Gr. 5	4	J0520
<b>6</b>	Lockwasher 5/16	4	J1200
<b>7</b>	Pillow Block for 21' - 36' bin	1	A5649
	Pillow Block for 42' - 54' bin		A5651
	Pillow Block for 60' bin		A56491
<b>8</b>	Bolt, 3/8 - 16 x 1" Gr. 5	8	J0606
<b>9</b>	FlatWasher, 3/8"	4	J1117
<b>10</b>	LockWasher, 3/8"	8	J1205
<b>11</b>	Nut, 3/8" - 16	8	J1020
<b>12</b>	Cord Hanger	1	A5609
<b>13</b>	Hanger Pipe 18-24'	1	A5603
	Hanger Pipe 27'	1	A5604
	Hanger Pipe 29-31'	1	A5605
	Hanger Pipe 33-37'	1	A5606
	Hanger Pipe 42'	1	A5607
	Hanger Pipe 48'	1	A5608
	Hanger Pipe 54'	1	A56082
	Hanger Pipe 60'	1	A56083
<b>14</b>	Brass Washer	1	A5601
<b>15</b>	Cast Bushing	1	A5602
<b>16</b>	Angle 90° stirringsystem	1	121000092408
<b>17</b>	Nippelmuffe	1	121000241443
<b>18</b>	Forskruning	1	1210413112349
<b>21</b>	Channel Hanger 21'-48'	1	A4827
	Channel Hanger for 54'-60'	1	A4830
<b>22</b>	Hanger, 11" Large stirring Machine	2	A7509
<b>23</b>	Coupling w/tab	1	A56101
<b>24</b>	Chain Spreader Bar Kit - Optional	1	A5635
<b>25</b>	Chain, 4-1/2 (Bins up to 22')	2	A4823
	Chain 5-1/2 (Bins 22 to 34')		A4824
	Chain 6-1/2 (Bins 34 on up)		A4825
<b>26</b>	Tube (for protection of cable) 1" 60 cm.	1	311726111

Satelit



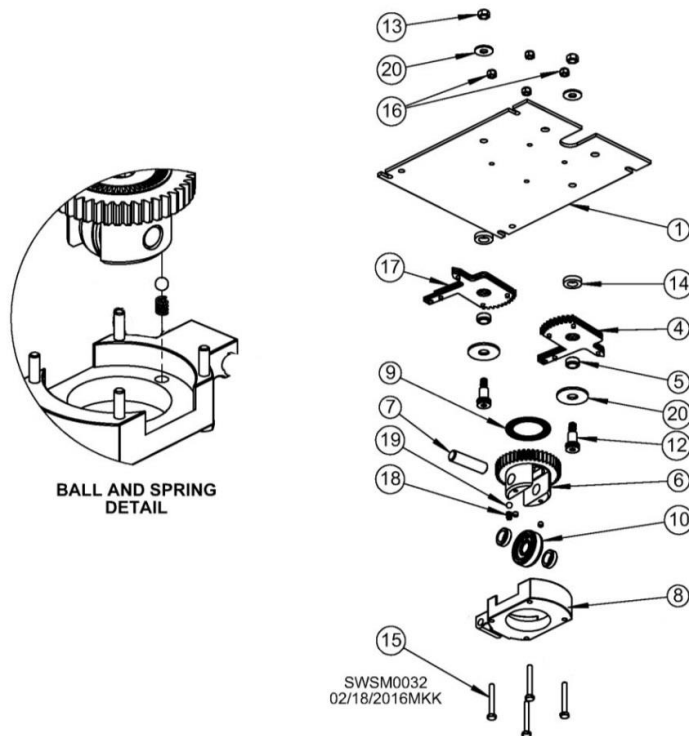
Ref#	Description	Qty	15'-36'	42'-54'	60'
1	Crosstube, Fastir, 18'	1	A8126		
	Crosstube, Fastir, 21'	1	A8128		
	Crosstube, Fastir, 24'	1	A8130		
	Crosstube, Fastir, 27'	1	A8132		
	Crosstube, Fastir, 30'	1	A8134		
	Crosstube, Fastir, 33'	1	A8136		
	Crosstube, Fastir, 36'	1	A8138		

## Fastir - Omrøre

	Crosstube, Fastir, 42'	1		A81372	
	Crosstube, Fastir, 48'	1		A81371	
	Crosstube, Fastir, 54'	1		A81353	
	Crosstube, Fastir, 60'	1			A81354
<b>2</b>	Inner Slug, 1" Shaft	1	A4822		
	Inner Slug, 1-1/4" Shaft	1	A4807	A4817	
<b>3</b>	Satellite Carriage	1	A8502	A6135	A6136
<b>3A</b>	Carriage Primary (knurreleje)		A8501D	A6130	A6132
<b>4</b>	Bearing Block incl. Screws (J0463)	6	A8561	A8561	A8561
<b>5</b>	Bolt, 5/16" - 18 x 1"	7	J0527	J0527	J0527
<b>6</b>	Lockwasher, 5/16", Split	7	J1200	J1200	J1200
<b>7</b>	Nut, 5/16"	9	J1002	J1002	J1002
<b>8</b>	Motor Mount	1	A5209D	A5209D	A5209D
<b>9</b>	Spring Comp.	2	J2365	J2365	J2365
<b>10</b>	Hairpin Clip	3	J5410	J5410	J5410
<b>11</b>	Elmotor 2,2 kW/1400/B3 Ø24		12710220SH	12710220SH	12710220SH
<b>12</b>	Pulley SPA 85-1 f/1210T	1	2040121008501	2040121008501	2040121008501
	Taperlock 1210-24	1	204010120024	204010120024	204010120024
<b>13</b>	Key, 3/16" x 3/16" x 3/4"	1	A7522	A7522	A7522
<b>14</b>	Shoulder Bolt, 5/16", 3/4"	3	J0521	J0521	J0521
<b>15</b>	Outer Carriage Shield	1	A8508	A6120	A6122
<b>17</b>	Machine Screw #10-24	1	J0514	J0514	J0514
<b>18</b>	Nut, #10-24	1	J0985	J0985	J0985
<b>19</b>	Tilt Switch Bracket	1	A5365	A5365	A5365
<b>20</b>	Tilt Switch	1	A5365T	A5365T	A5365T
<b>22</b>	Down Auger	1	A4765	A4765	A4765
<b>23</b>	Flinger	1	A5616	A5616	A5616
<b>24</b>	Bearing 1"	2	J00031-SKF	J00031-SKF	J00031-SKF*
<b>25</b>	Included in bearing				
<b>26</b>	Bolt, 7/16" 1 1/2" Gr. 5	4	J0710	J0710	J0710
<b>27</b>	Nut 7/16" - 14	4	J1035	J1035	J1035
<b>28</b>	LockWasher, 7/16"	4	J1210	J1210	J1210
<b>29</b>	U-Bolt	1	J0810	J0810	J0810
<b>30</b>	Pulley 9" x 1"	1	J0355	J0355	J0355
<b>31</b>	Rollpin, 5/16" x 2 1/4"	1	J1510	J1510	J1510
<b>32</b>	Belt	1	3101AX48	3101AX52	3101AX52
<b>33</b>	Tie bar (Specify bin size)				
<b>35</b>	Bolt, Spade	1	A8550	A8550	A8550
<b>36</b>	Decal, Warning	1	L0284	L0284	L0284
<b>37</b>	Decal, Replace Shield	1	L0271	L0271	L0271
<b>38</b>	Outer Slug w/ drive wheel	1	A8085	A8089	A8089
<b>39</b>	Locknut, 1/4"	3	J0992	J0992	J0992
<b>40</b>	Toggle Arm	1	A8505	A8505	A8505
<b>41</b>	Bolt, Carriage	4	J07592	J07592	J07592
<b>42</b>	Nut, Hex, 1/2"	12	J1040	J1040	J1040
<b>43</b>	Reversing Rod		Varies with bin size		
<b>44</b>	Bolt, 1/4" x 1"	4	J0508	J0508	J0508
<b>46</b>	Lockwasher, 1/2"	3	J1215	J1215	J1215
<b>47</b>	Push Nut, 7/16"	2	J1036	J1036	J1036
<b>48</b>	Reversing Carriage Plate	4	A80342	A8060	A80601

# Fastir - Omrøre

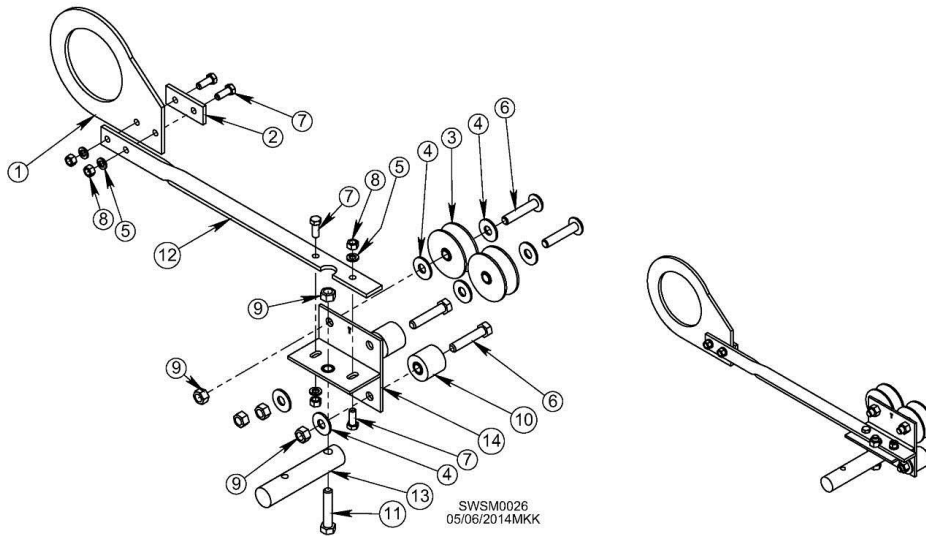
## REVERSING MECHANISM ASSEMBLY



Ref#	Description	Qty	Comp.#
1	Plate Reversing Carriage	1	A5693
2	Rød Gummistop	1	1001016-dob
4	Toogle Gear	1	A80453
5	Bushing, 1/2" x 3/4" x 5/8"	2	J00823
6	Gear directional	1	A8043
	Set Screws 1/4"x1/4"	2	J1074
7	Pin, 2 3/8" long	1	A8044
8	Housing	2	A8042
9	Thrust Bearjno	1	J0058
10	* Knurled Drive Bearing (Replacement for J0057) (Complete with Bushings)	1	A80691*
	Knurled Bearing	1	A8069
	Bushing. 339	2	A8074
	Snap Ring. 1.5652 TRC	1	J3696
12	Bolt, 1 1/2"-13 x 1 -1 1/2" - Gr. 5	2	J07229
13	Nut, 1/2" - 13, Center Lock Jam	2	J1025
14	Machine Bushing, 1/2" - 18 Ga.	2	A85075
15	Boll, 1/4"-20 x 2" Gr. 5	4	J05134
16	Lock Nut, 1/4"-20	4	J0992
17	Reversing Gear	1	A80452
18	Spring, Comp,5/16" OD x.54" long	1	J2363*
19	Ball, Steel,5/16"	1	J3308*
20	Flatwasher, 3/8, PLT	2	J1117

\*Sold together 10-18-19

## Fastir - Omrøre



Ref #	Description	Qty	Comp #
1	Bracket, Plate, Trolley – 4 ½", UHMW	1	A4517
	Bracket, Plate, Trolley – 5 ½", UHMW	1	A45171
2	Trolley Bracket Cover	1	A4518
3	Wheel, Trolley, w/ Bushings	2	A6048
3A	Bushing, 1/2" x 3/4" x 3/4"		J0073
3B	Bushing, 1/2" x 3/4" x 1/2"		J0072
4	Flatwasher, 1/2"	6	J1125
5	Lockwasher, 3/8", PLT	4	J1205
6	Screw, 1/2"-13, 2.5", Gr5, BHCS	5	J07463
7	Screw, 3/8"-16, 1.25", PLT	4	J0616
8	Nut, Hex, 3/8"-16, PLT	4	J1020
9	Nut, Hex, Lock, 1/2" - 13	5	J1042
10	Roller, Trolley, w/ Bushings	2	A6049
10A	Bushing, 1/2" x 3/4" x 1"		J0074
10B	Bushing, 1/2" x 3/4" x 1/2"		J0072
11	Screw, ½"-13, 2.5", GR5, HHCS	3	J0746
12	Bracket, Bar, Pivot Trolley	1	A45161
13	Shaft, Connect, Pivot Trolley	1	A45131-01
14	Bracket, Weldment, Pivot Trolley	1	A45122

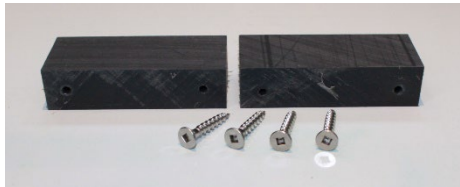
Common Replacement Parts

Following are photos, part numbers and descriptions of common replacement parts on Sukup Fastir. For reference, parts are pictured on graph paper with half cm. squares.

Fastir



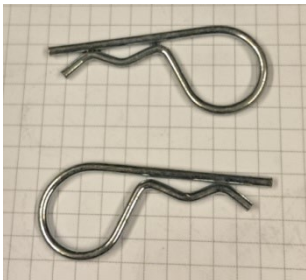
J0463 – Screws for A8561



A8561 – Bearing block incl.Screws



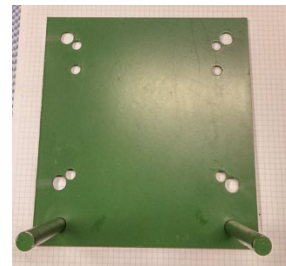
J1538 – Safety pin, stirring system  
Incl. split J1419. For A5318



J5410 – Hairpin clip



J23651 – Spring Comp., 1 1/2"  
CL x 1/2" ID



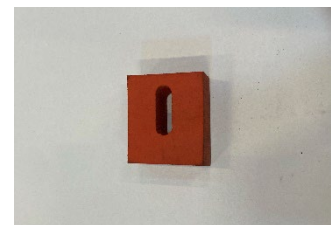
A5209D – Motor mount



200AX48 – Belt for stirring  
system, 4 1/2", for tube,  
21'- 36' bin



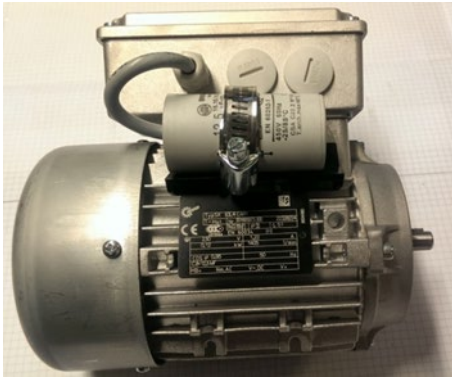
200AX52 – belt for stirring  
system, 5 1/2", tube, 42'-  
60' bin



1981001060-DOB  
Rød gummistop



## Fastir - Omrøre



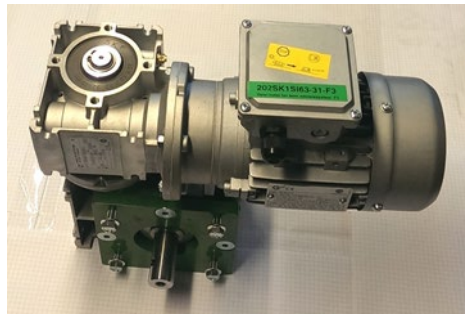
202SK-MSMYT631-4-2KL – Electric motor for gear for carriage, 1 phase system, 2 kondens, 230V



202SK1SI63-F1 - Gearmotor for rotating bar on stirring system, 1 phase system, 2 capacitor system (older)



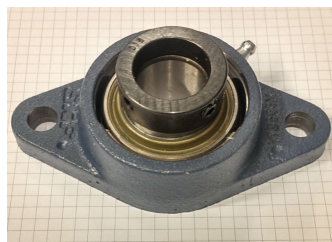
202SK-MS631-4-1 – Electric motor for gear for carriage, 3 phase system, 400V



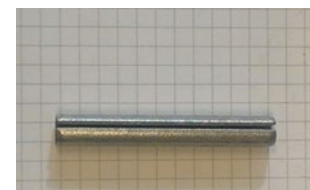
202SK1SI63-40-F3 - Gearmotor for rotating bar on stirring system, 3 phase system



J0355 – Pulley 9"

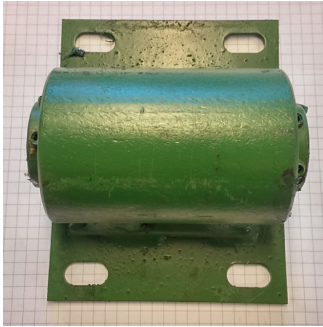


J00031-SKF - Flange bearing, 1"



J1510 – Rullpin 5/16 x 2 1/4",  
For pulley J0355

## Fastir - Omrøre



A5649 - Bearing, pillow block comp., 1" for 21' - 36' bin



A5651 - Bearing, pillow block comp., 1 1/4" for 42' - 60' bin



J0030 - Clamp bearing, 1" For A5649



A5318 - Coupler 1" tube.



A5318 Klokobling



120A00-14-CDK050 - Rotating contact for stirring system, 16 pol, 2 + 3 augers.  
120A00-14CDK070 - Rotating contact for stirring system, 20 pol, 4 + 5 augers.