



Sweepway®

Bin Unloading Power Sweep

Owner's Installation & Operation Manual

Sukup Manufacturing Co.

1555 255th Street, Box 677

Sheffield, Iowa, USA 50475-0677

Phone: 641-892-4222

Fax: 641-892-4629

Website: www.sukup.com

E-mail: info@sukup.com

<u>DATES</u>	<u>REVISIONS</u>	<u>PAGES</u>
01/13/2020	– Updated incline dimensions & installation instructions.....	10-11, 32-33
	Updated bin sweep, scraper & Cluster Buster installation instructions	20-27
	Updated parts drawings & tables.....	41-43, 46-47, 49, 53, 57-64, 67-70, 74-75, 83-84, 86
	Added sweep auger replacement part numbers.....	90
04/24/2019	– Updated warranty	4
	Updated instructions for supporting floor over unload tube	14
	Added note on trimming stirring machine down-augers if present	22
	Updated troubleshooting solutions for increasing sweep auger capacity	40
	Added drawings & part numbers for square shaft connectors	55

Introduction

INTRODUCTION

Congratulations on your purchase of the Sweepway unload system. Your Sukup Sweepway is designed, built and tested to ensure highest quality and maximum life.

Read and study operator's manual carefully to learn how to safely install and operate your machine. Failure to do so could cause personal injury or equipment damage.

For your convenience, fill in the following information:

Sweepway: 6" _____ 8" _____ 10" _____ Bin Diameter: _____

NOTE: References to 6", 8" or 10" Sweepways refer to diameter of unload tube, not to diameter of sweep auger.

With Horizontal Unload: Single Motor Drive _____

With Vertical Unload: 16' _____ 20' _____

2 Motor Drive (2 Motor Top _____ 2 Motor Bottom _____) Single Motor Drive _____

25° Incline: 6" to 8" _____ 8" to 10" _____ 20° Incline: 10" to 12" _____

Date of Purchase: _____

DISCLAIMER: Bin sweeps will vary in performance based on grain condition and condition of bin floor. Any capacities provided by Sukup Manufacturing Co. are based on dry, clean corn and ideal conditions. It may take two passes over a given area to remove grain, with a layer of grain remaining on floor afterward.

TABLE OF CONTENTS

Introduction	2
Limited Warranty	4
Safety.....	5
General Safety Practices.....	5
Safety Decals for Sweepway.....	7
Safety Decals Placement for Sweepway	8
Sweepway Dimensions	9
Unload System Dimensions	10
Preparation / Unload Installation	12
Independent Intermediate Sump Pull Rod Installation	17
Assembling Bin Sweep.....	20
Attaching Sweep Stop.....	23
Backboard Scraper Installation.....	24
Cluster Buster Installation	26
Powerhead Options.....	28
...Horizontal with Single Motor Drive	28
...Basic Vertical Auger	29
...Two Motor Drive	30
...One Motor Drive	30
...Top Drive.....	31
...Incline.....	32
Adjusting Belt Tension.....	34
Sump Opener for 6" Sweepway	35
Sump Opener for 8" Sweepway	36
Sump Opener for 10" Sweepway	37
Operating Instructions	38
Troubleshooting	40
Lubrication	40
Parts/Assemblies	41
Quick Reference Parts List (Motors, Pulleys, Bushings).....	87
Replacement Vertical Flighting, Shafts & Tubes.....	88
Unload Auger Flighting Assembly	89
Sweep Auger Replacement Kits.....	90
Contact Information.....	92



Sukup Manufacturing Co.
PO Box 677 Sheffield, IA USA 50475
Phone: 641-892-4222 Fax: 641-892-4629
E-mail: Info@sukup.com Visit us at: www.sukup.com

GRAIN HANDLING & MATERIAL HANDLING LIMITED WARRANTY

SUKUP MANUFACTURING CO. (Sukup) warrants to original retail purchaser that within time limits set forth, new equipment shall be free from defects in material and workmanship. A part will not be considered defective if it substantially fulfills performance specifications, such as cosmetic (appearance) issues that will not affect life of product. Should any part prove defective within the warranty period, the part will be replaced without charge F.O.B. Sukup Manufacturing Co., Sheffield, Iowa USA or Distribution Centers - Arcola, Illinois; Aurora, Nebraska; Defiance, Ohio; Jonesboro, Arkansas; Cameron, Missouri; Watertown, South Dakota. To obtain warranty, a copy of original invoice is required, see reverse side.

THE FOREGOING LIMITED WARRANTY IS EXCLUSIVE AND IN LIEU OF ALL OTHER WARRANTIES OF MERCHANTABILITY, FITNESS FOR PARTICULAR PURPOSE AND OF ANY OTHER TYPE, WHETHER EXPRESS OR IMPLIED. Sukup neither assumes nor authorizes anyone to assume for it any other obligation or liability in connection with said part, and will not be liable for incidental or consequential damages. THE REMEDIES STATED HEREIN SHALL BE THE EXCLUSIVE REMEDIES AVAILABLE UNDER THIS LIMITED WARRANTY.

Sukup reserves the right to change specifications, add improvements or discontinue manufacture of any of its equipment without notice or obligation to purchasers of its equipment. This warranty gives you specific legal rights. You may also have other rights which vary according to state or province.

WARRANTY EXCLUSIONS - Labor, transportation, or any cost related to a service call is not provided by Sukup. This Limited Warranty does not apply to damage resulting from misuse, neglect, normal wear, accident or improper installation or maintenance. ITEMS NOT MANUFACTURED BY SUKUP (e.g. tires, belts, motors) ARE COVERED UNDER WARRANTIES OF THEIR RESPECTIVE MANUFACTURERS AND ARE EXCLUDED FROM COVERAGE UNDER THE SUKUP WARRANTY. Since the stirring down augers are so critical to the successful operation of the stirring machine, Sukup Manufacturing Co. will not warranty any machines unless they are equipped with Sukup down augers. SUKUP MANUFACTURING CO. MAKES NO WARRANTY, EXPRESS OR IMPLIED, WITH RESPECT TO DOWN AUGERS LONGER THAN 20', INCLUDING, WITHOUT LIMITATION, ANY WARRANTY OF MERCHANTABILITY AND WARRANTY OF FITNESS FOR A PARTICULAR PURPOSE.

Upon taking delivery of product, purchaser (dealer and/or end user) assumes responsibility for proper storage of all materials. Proper storage includes dry, temperature and humidity controlled facilities, which eliminate the potential of moisture, including condensation, from causing white rust and/or corrosion of any sort. Warranty does not extend to defects, damage or cosmetic (appearance) issues caused by improper storage, handling or erection.

BASIC WARRANTY - All Sukup manufactured products are warranted for one year from date of purchase. Part(s) must be returned to Sukup within 30 days in event of failure.

EXTENDED STIRRING MACHINE WARRANTY - Sukup warrants stirring machines for two years from date of purchase.

EXTENDED STIRRING AUGER WARRANTY - Sukup warrants stirring down augers for two years from date of purchase. Must return top 18" of down auger to obtain credit.

EXTENDED FAN WARRANTY - Sukup warrants fans for two years from date of purchase.

EXTENDED HEATER CIRCUIT BOARD WARRANTY - Sukup warrants heater circuit boards for three years from date of purchase.

EXTENDED MATERIAL HANDLING WARRANTY - Sukup warrants Material Handling, excluding structural support systems, for two years from date of purchase.

REPLACEMENT PARTS WARRANTY PERIOD - Sukup warrants replacement parts (e.g. belts, sensors, rotating contacts, gearmotors, switches) purchased from Sukup for one (1) full drying season following purchase.

ELECTRIC MOTOR WARRANTY - The manufacturers of electric motors warranty their motors through authorized service centers for a 2 year period from motor date code. Contact motor manufacturer for nearest location. If motor warranty is refused by a service center based upon date of manufacture, use the following procedure: Have motor repair shop fill out warranty report form as if they were providing warranty service. State on report reason for refusal. Send report, motor nameplate, and proof of purchase date (invoice from Sukup and invoice for your customer) to Sukup. If electric motor warranty is not satisfactorily handled by motor service center, contact Sukup for assistance. Sukup will attempt to obtain warranty from motor manufacturer, any credit obtained will be passed on. Warranty may also be obtained by returning motor to Sukup Manufacturing Co. or Distribution Centers with prior authorization. **NOTE:** Sukup will not be responsible for unauthorized motor replacement or repair. Labor for removal of motor from fan not included.

WARRANTY CERTIFICATION - Warranty registration card should be mailed within one month of product delivery to certify warranty coverage.

UNAPPROVED PARTS OR MODIFICATION - All obligations of Sukup under this warranty are terminated if unapproved parts such as stirring augers longer than 20' are used, or if equipment is modified or altered in any way not approved by Sukup.

Safety



Read manual before installing or using product. Failure to follow instructions and safety precautions in manual can result in death or serious injury. Keep manual in a safe location for future reference.



On safety decals, this symbol and the signal words Danger, Warning, Caution and Notice draw your attention to important instructions regarding safety.

They indicate potential hazards and levels of intensity.



DANGER

RED - **DANGER** indicates an imminently hazardous

situation which, if not avoided, will result in death or serious injury.



WARNING

ORANGE - **WARNING** indicates a potentially

hazardous situation which, if not avoided, could result in death or serious injury.



CAUTION

YELLOW - **CAUTION** indicates a potentially

hazardous situation which, if not avoided, may result in minor or moderate injury.



NOTICE

BLUE - **NOTICE** alerts you to practices unrelated to personal

injury, such as messages related to property damage.

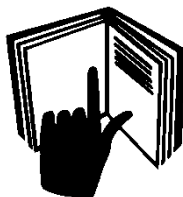
IMPORTANT: To prevent serious injury or death to you or your family, it is essential that safety decals are clearly visible, in good condition, and applied to the appropriate equipment.

FOLLOW MANUAL & SAFETY DECAL MESSAGES

Carefully read this manual and all safety decals on your

equipment. Safety decals must be kept in good condition. Replace missing or damaged safety decals by contacting Sukup

Manufacturing Co. via mail at PO Box 677, Sheffield, Iowa USA, 50475; by phone at 641-892-4222; or by e-mail at info@sukup.com.



It is the responsibility of the owner/operator to know what specific requirements, precautions, and work hazards exist. It is also the responsibility of the owner/operator to inform anyone operating or working in the area of this equipment of hazards and safety precautions that need to be taken to avoid personal injury or death. Always keep children away from bins and vehicles with flowing grain.

Make no unauthorized modifications to machine. Modifications may endanger function and/or safety of unit. Keep unit in good working condition. Keep shields in place. Replace worn or missing shields free of charge by contacting Sukup Manufacturing Co.

GRAIN BIN SAFETY

Owners/operators are responsible for developing site-specific confined space entry procedures. OSHA's confined space entry procedures (29CFR 1910.146) can be found at www.osha.gov.

If you must enter bin for repair or maintenance:

- Use a safety harness, safety line and respirator
- Station another person outside of bin
- Avoid the center of the bin
- Wear appropriate personal protective equipment
- Keep clear of all augers and moving parts



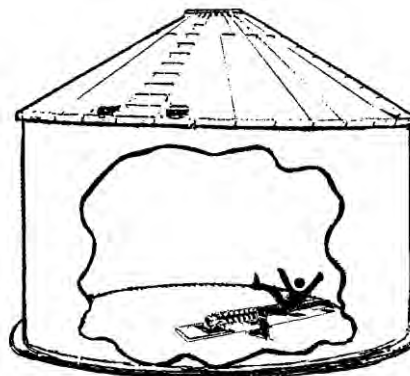
DANGER: Never enter bin unless all power is locked out and another person is present.



Rotating augers can kill or dismember!

NEVER enter bin when augers are running!

When bin is nearly empty, sweep auger will travel at an increasingly fast speed. Keep away from sweep and sump augers to avoid entanglement.



Failure to follow precautions above will result in death or serious injury.



DANGER: Flowing grain may trap and suffocate. If you enter a bin of flowing grain you can be completely submerged in grain in about 8 seconds.



Failure to heed this warning will result in death or serious injury.

Safety

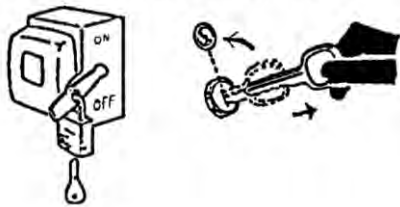
To avoid electric shock or electrocution, all equipment must be properly wired and grounded according to electrical codes. Have unit wired by qualified electrician.



Have an electrician install a main power disconnect switch capable of being locked only in OFF position.

Mark disconnect clearly as to equipment it operates. Always lock out main power disconnect switch whenever equipment is not in use.

Service Disconnect



WARNING: When servicing equipment, never enter bin unless all power is locked out and another person is present. Always LOCK OUT all power and always check with voltage meter before servicing.

Failure to do so could result in death or serious injury.

Owners/operators are responsible for developing site-specific Lockout/Tagout procedures based on equipment at their work site. See OSHA's typical minimal lockout procedures (29CFR 1910.147 App A) at www.osha.gov.

WARNING: KEEP CLEAR OF ALL MOVING PARTS.

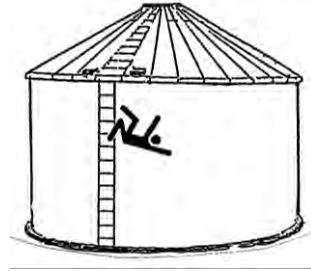
Keep people (ESPECIALLY YOUTH) away from equipment, particularly during operation.

Keep away from all moving parts. Keep all shields in place. **SHUT OFF AND LOCK OUT** all power before servicing.

Failure to follow precautions above could result in death or serious injury.



WARNING: Metal is slippery when wet. To avoid falls, never carry items if climbing on bin. Maintain secure hand and foothold if climbing on bin. Failure to do so could result in death or serious injury.



CAUTION: Metal edges are sharp. To avoid injury, wear protective clothing and handle equipment and parts with care.

Failure to do so may result in minor or moderate injury.

PERSONAL PROTECTIVE EQUIPMENT



Owners/Operators are responsible for developing site-specific personal protective equipment standards. OSHA's personal protective equipment standards (29CFR 1910.132) can be found at www.osha.gov.

EMERGENCIES – KNOW WHAT TO DO

Have emergency numbers and written directions to work site readily available in case of emergency. An area for emergency phone numbers to be recorded is provided below and at end of this manual.

Ambulance • Fire • Police: 9-1-1

Bin rescue team: _____

Emergency medical squad: _____

Address of work site: _____

Directions to work site: _____

Safety Decals for Sweepway

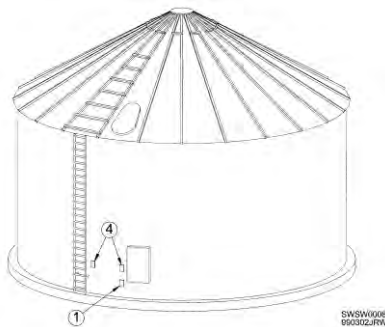
Safety decals should be mounted on your equipment as shown in this safety section. Yearly and prior to equipment use, check that all decals and shields are in place and legible.

To order a replacement decal or shield at no charge, contact your dealer or Sukup Manufacturing Co., Box 677, Sheffield, IA USA 50475. If replacement is necessary, make sure location for decal is free from grease, oil and dirt. Remove backing from decal and place in proper position.

Decals 1-5 are factory-mounted. Additional copies of decals 1 and 4 are shipped with this manual in separate packet #A3399 and have mounting instructions inside packet.

IMPORTANT: If suggested locations are not clearly visible, place safety decals in a more suitable area. Never cover up any existing safety decals.

- DECAL L0281 – WARNING:** To avoid serious injury or death. Mount this decal on bin sheet near door handle.



- DECAL L0271 - DANGER:** Shield missing. Do not operate!



- DECAL L0284 – WARNING:** Keep away from all moving parts.



- DECAL L0258A – DANGER:** Do not enter this bin! Keep clear of all augers. Mount this decal on bin sheet near door handle and near ladder leading to roof.



- DECAL L03061 – DANGER:** Keep away when auger is running!

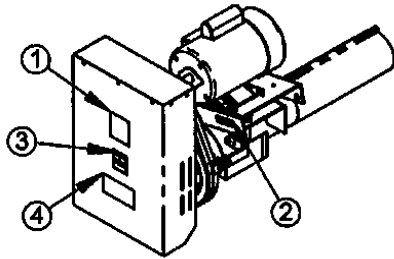


- DECAL L0328 – Sweepway Operation.** Mount this decal on bin sidewall near sump openers.



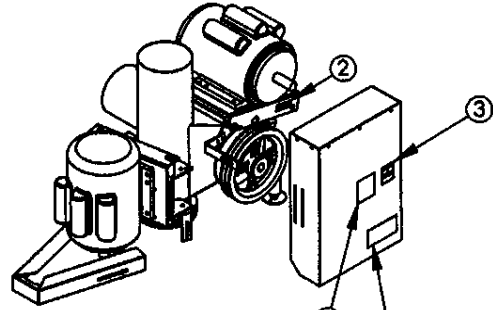
Safety Decals Placement for Sweepway

HORIZONTAL

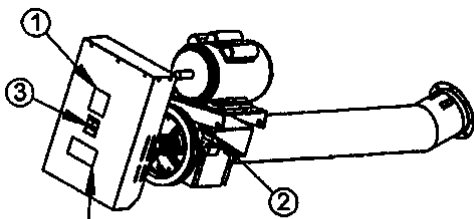


STANDARD ONE MOTOR DRIVE

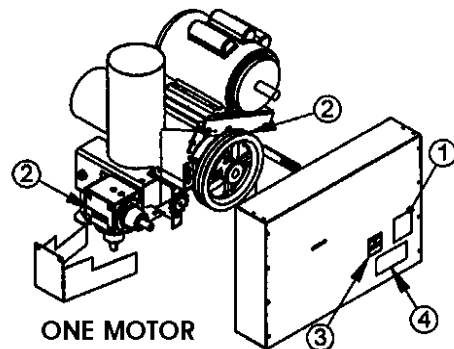
VERTICAL BOOT



TWO MOTOR DRIVE (STANDARD)

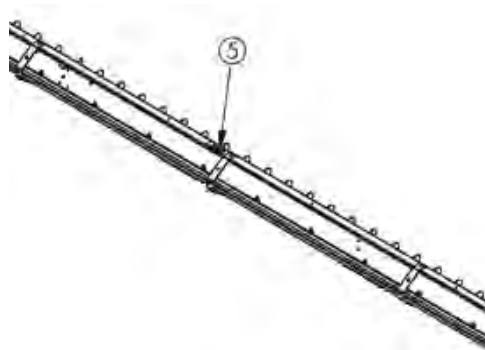


INCLINE HORIZONTAL DRIVE



ONE MOTOR DRIVE OPTION

SWEEP BACKBOARD



SWEEPWAY DIMENSIONS

See Fig. 1 and Table 1 for Sweepway dimensions.

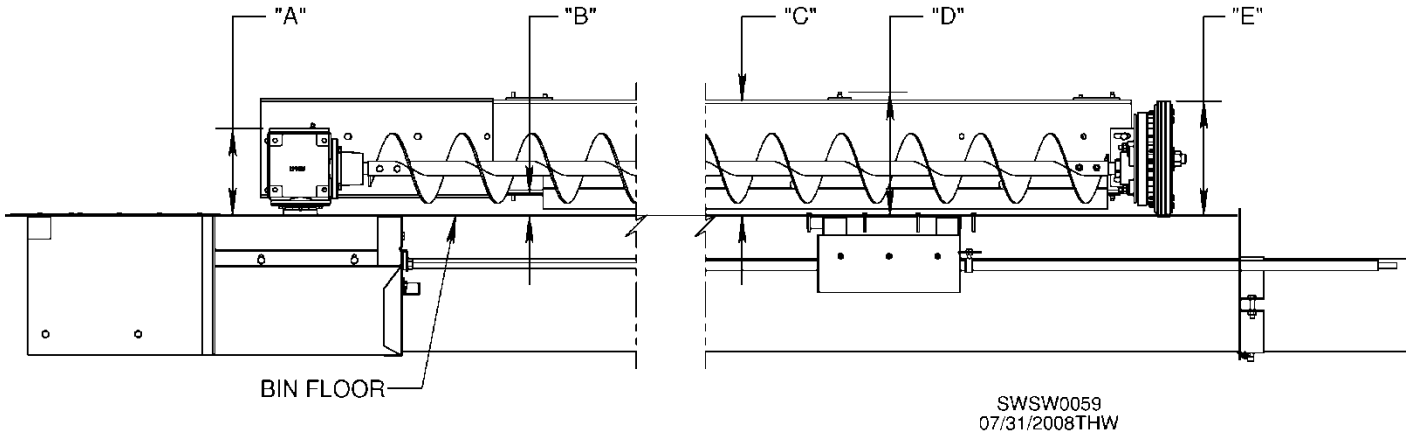


Fig. 1 & Table 1 – Sweepway dimensions

DIMENSION	DISTANCE FROM BIN FLOOR	6"	8"	10"
A	Top of gearbox	7-1/2"	7-1/2"	8-1/2"
B	Bottom of backboard	3"	2"	2-5/8"
C	Top of backboard	11-1/4"	9-7/8"	12-5/8"
D	Top of huckbolt sleeve	11-3/4"	10-3/8"	13-1/8"
E	Top of reduction wheel	10"	10" *	17

***Dimension E will be 17" if 17" wheel is used on 8" Sweepway**

Dimensions

UNLOAD SYSTEM DIMENSIONS

See Fig. 2 and Tables 2-6 for approximate dimensions of unload systems.

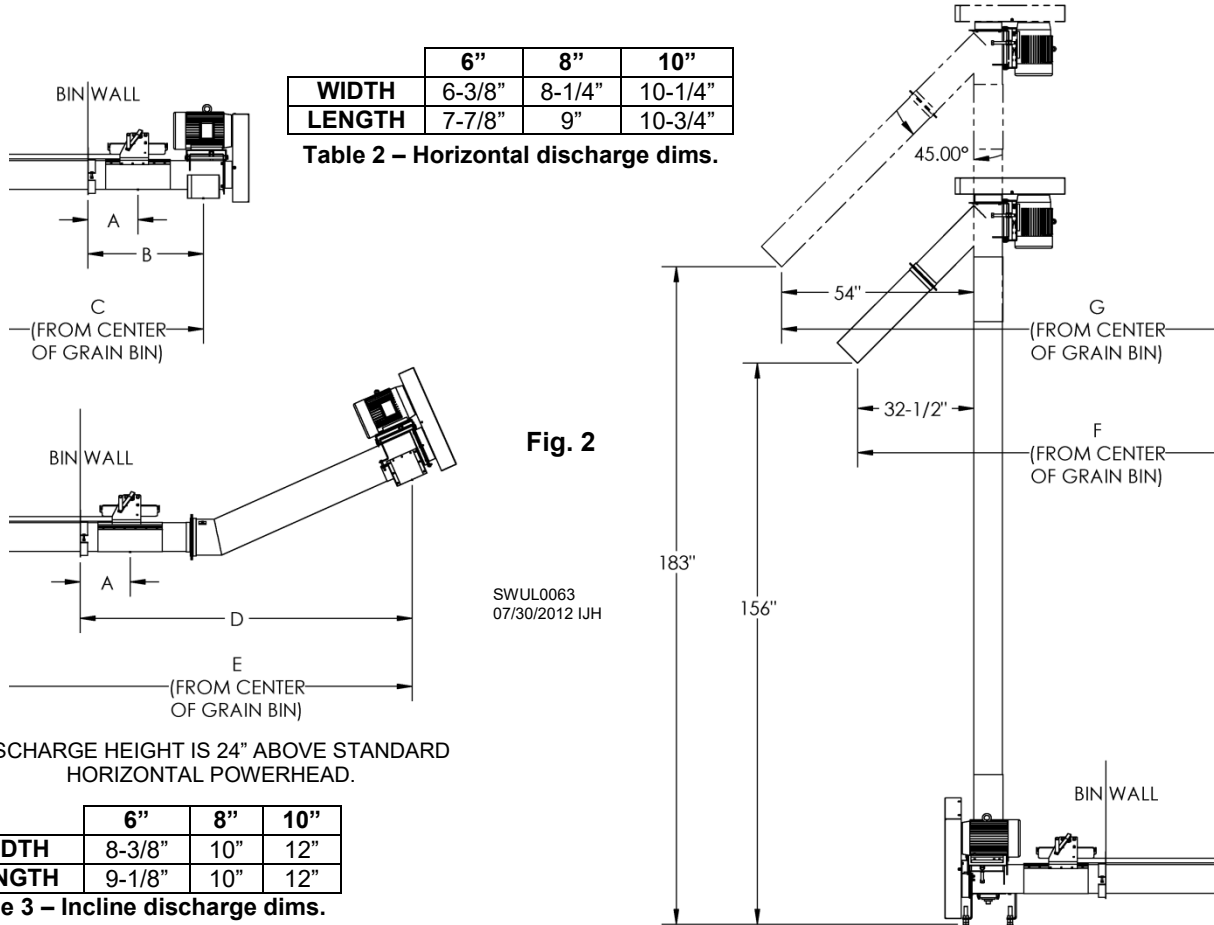


Table 4 – Unload system dimensions for 6" Sweepway

BIN DIA.	6" SWEEPWAY DIMENSIONS						
	A	B	C	D	E	F	G
15'	17	35	125	99	189	163	184.5
15' 6"	14	32	125	96	189	163	184.5
16' 5" (5M)	12	30	128.5	94	192.5	166.5	188
18'	17.5	35.5	143.5	99.5	207.5	181.5	203
18' 7"	14	32	143.5	96	207.5	181.5	203
19' 8" (6M)	14	32	150	96	214	188	209.5
21'	18	36	162	100	226	200	221.5
21' 8"	14	32	162	96	226	200	221.5
22' 11" (7M)	14.5	32.5	170	96.5	234	208	229.5
24'	18	36	180	100	244	218	239.5
24' 9"	13.5	31.5	180	95.5	244	218	239.5
26' 3" (8M)	14.5	32.5	190	96.5	254	228	249.5
27'	19	37	199	101	263	237	258.5
27' 10"	14	32	199	96	263	237	258.5
29' 6" (9M)	14	32	209	96	273	247	268.5
30'	20	38	218	102	282	256	277.5
31'	14	32	218	96	282	256	277.5
33'	20	38	236	102	300	274	295.5
34'	14	32	236	96	300	274	295.5
36' (11M)	20	38	254	102	318	292	313.5
37' 1"	13.5	31.5	254	95.5	318	292	313.5

IMPORTANT:
Dimensions are based on nominal bin diameters listed and provide approximate measurements for planning and layout purposes.

Dimensions

Table 5 – Unload system dimensions for 8” Sweepway

BIN DIA.	8” SWEEPWAY DIMENSIONS						
	A	B	C	D	E	F	G
15'	17	35	125	99.5	189.5	162.5	184
15' 6"	14	32	125	99.5	189.5	162.5	184
16" 5" (5M)	14.5	32.5	131	97	195.5	168.5	190
18'	17.5	35.5	143.5	100	208	181	202.5
18' 7"	14	32	143.5	96.5	208	181	202.5
19' 8" (6M)	14	32	150	96.5	214.5	187.5	209
21'	18	36	162	100.5	226.5	199.5	221
21' 8"	14	32	162	96.5	226.5	199.5	221
22" 11" (7M)	14.5	32.5	170	97	234.5	207.5	229
24'	18	36	180	100.5	244.5	217.5	239
24' 9"	13.5	31.5	180	96	244.5	217.5	239
26' 3" (8M)	14.5	32.5	190	97	254.5	227.5	249
27'	19	37	199	101.5	263.5	236.5	258
27' 10"	14	32	199	96.5	263.5	236.5	258
29' 6" (9M)	14	32	209	96.5	273.5	246.5	268
30'	20	38	218	102.5	282.5	255.5	277
31'	14	32	218	96.5	282.5	255.5	277
33'	20	38	236	102.5	300.5	273.5	295
34'	14	32	236	96.5	300.5	273.5	295
36' (11M)	20	38	254	102.5	318.5	291.5	313
37' 1"	13.5	31.5	254	96	318.5	291.5	313
42'	14	32	284	96.5	348.5	321.5	343
42' 8" (13M)	14	32	288	96.5	352.5	325.5	347
43' 3"	14	32	291.5	96.5	356	329	350.5
48'	14	32	320	96.5	384.5	357.5	379
49' 3" (15M)	15	33	328.5	97.5	393	366	387.5
54'	14	32	356	96.5	420.5	393.5	415
55' 8"	14	32	366	96.5	430.5	403.5	425
60'	14	32	392	95.5	456.5	429.5	451
61' 10"	14	32	403	96.5	467.5	440.5	462

IMPORTANT:
Dimensions are based on nominal bin diameters listed and provide approximate measurements for planning and layout purposes.

Table 6 – Unload system dimensions for 10” Sweepway

BIN DIA.	10” SWEEPWAY DIMENSIONS						
	A	B	C	D	E	F	G
24'	30	48	192	142	286	236.5	258
24' 9"	25.5	43.5	192	137.5	286	236.5	258
26' 3" (8M)	24	42	199.5	136	293.5	244	265.5
27'	31	49	211	143	305	255.5	277
27' 10"	26	44	211	138	305	255.5	277
29' 6" (9M)	26	44	221	138	315	265.5	287
30'	32	50	230	144	324	274.5	296
31'	26	44	230	138	324	274.5	296
33'	32	50	248	144	342	292.5	314
34'	26	44	248	138	342	292.5	314
36' (11M)	32	50	266	144	360	310.5	332
37' 1"	25.5	43.5	266	137.5	360	310.5	332
42'	26	44	296	138	390	340.5	362
42' 8" (13M)	24	42	298	136	392	342.5	364
43' 3"	26	44	303.5	138	397.5	348	369.5
48'	26	44	332	138	426	376.5	398
49' 3" (15M)	27.5	45.5	341	139.5	435	385.5	407
54'	26	44	368	138	462	412.5	434
55' 8"	26	44	378	138	472	422.5	444
60'	26	44	404	138	498	448.5	470
61' 10"	26	44	415	138	509	459.5	481

PREPARATION / UNLOAD INSTALLATION

Unload tube can either be placed in a bin with a steel aeration floor as shown in Fig. 3 or a concrete trench as shown in Fig. 7. Instructions are provided for both types of floor. In either case, the first step is to determine from which side of bin grain will be unloaded.

Unloading tube must have unobstructed path to center sump, and center of top gearbox must be in exact center of bin as shown in Figs. 3 and 7. Locate center of bin by taking several measurements.

For installation in full aeration floor:

NOTE: Instructions are written for installation prior to floor installation, and for when floor is arranged as shown in Fig. 3. Ensure there are adequate floor supports used around unload tube.

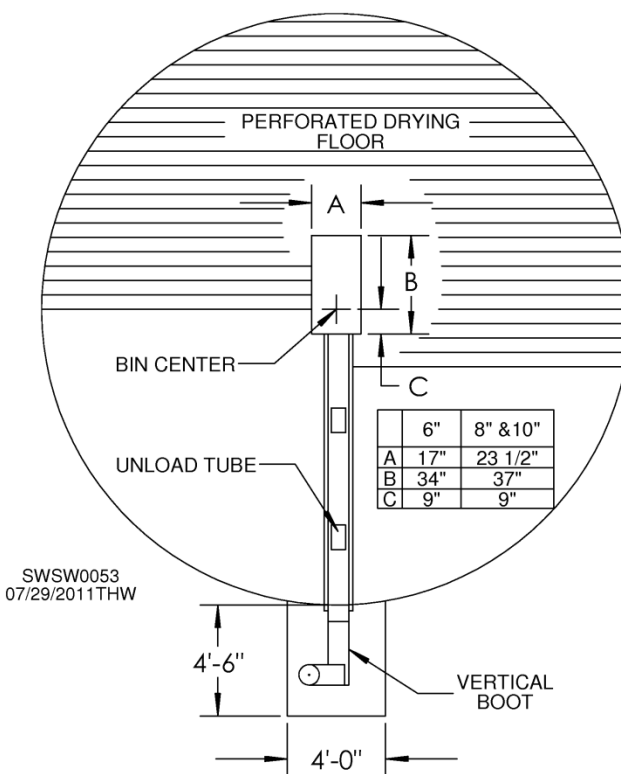


Fig. 3 & Table 7

NOTE: If installing in existing bin with a full aeration floor, it may be necessary to remove about half of floor.

Before installation, check floor height.

Minimum plenum height required for installation of sweep is:

- 6" sweep ----- 12"
- 8" and 10" - 13-1/4"

Maximum floor thickness is:

- 6" and 8" ----- 2-3/4"
- 10" ----- 1-3/4"

Preparation / Installation

Cut hole in bin wall at desired unloading location, with center of hole located as shown in Fig. 4, depending on size of unload tube.

- 6" Sweep, cut 6-1/4" U-shaped opening
- 8" Sweep, cut 8-1/4" U-shaped opening
- 10" Sweep, cut 10-1/4" U-shaped opening

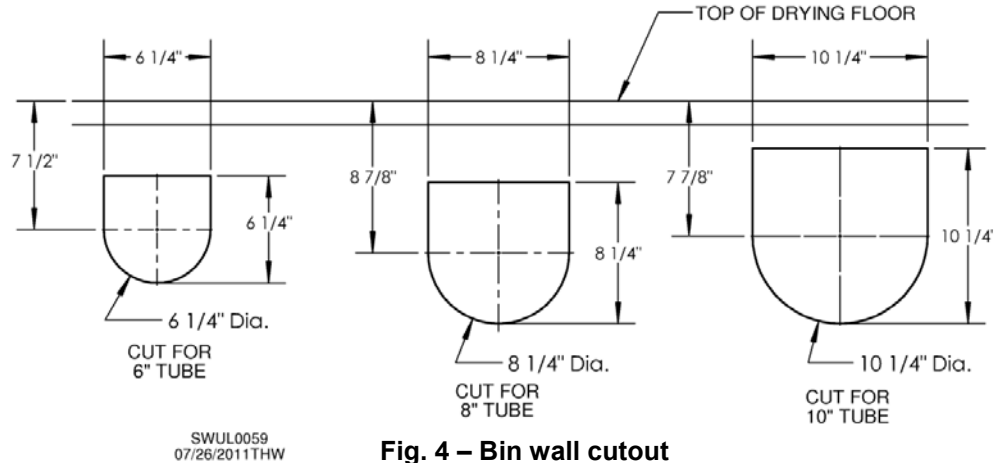


Fig. 4 – Bin wall cutout

If floor has not previously been installed, install half of bin floor on side opposite of unload, plus two planks past center of bin. **NOTE:** Floor planks must run perpendicular to unload tube.

Position center sump so that center of top gearbox is at exact center of bin. Align center sump with bin wall opening. With spray paint, mark pattern around sump on floor planks. Cut appropriate size hole for sump. See Fig. 3.

Position center sump so unloading tube attachment points toward bin wall opening. Support center sump at bottom, if necessary, using non-flammable material. Place extra floor supports around sump for additional support.

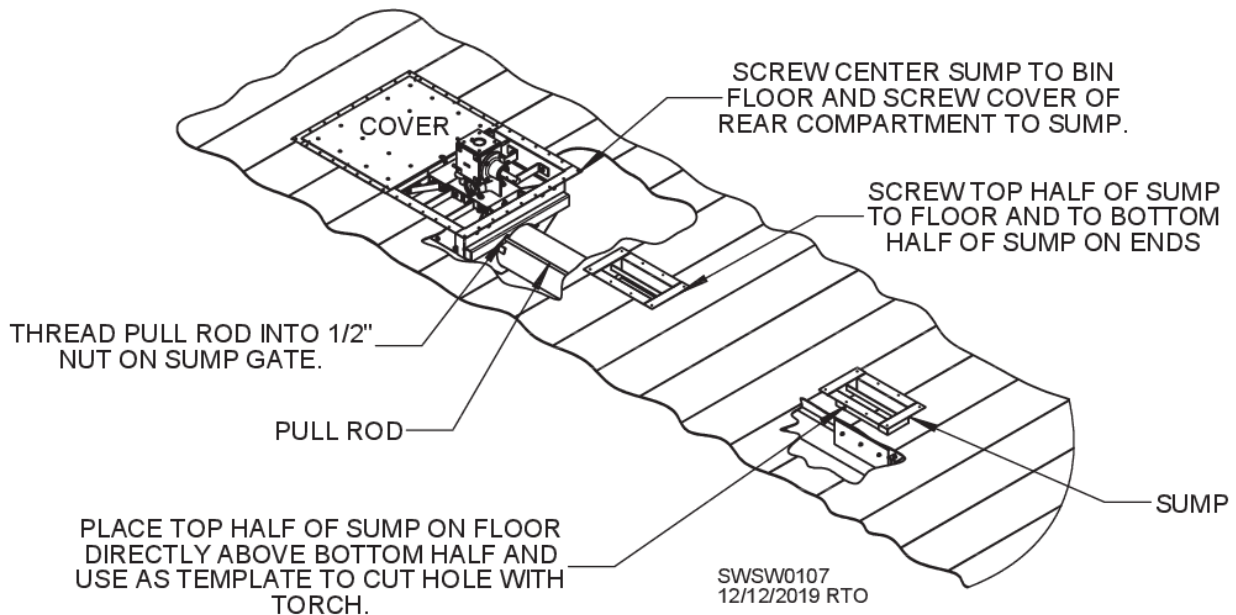


Fig. 5 – Sump installation

SUPPORTING FLOOR OVER UNLOAD SYSTEM

DISCLAIMER: It shall not be the responsibility of Sukup Manufacturing Co. to determine suitable support system for flooring over unload system. Customer (or customer’s retained engineer or construction supervisor) is responsible. Consideration should include, but not be limited to, live loads, dead loads and seismic zone. Sukup Manufacturing Co. will not be responsible for any damage to a product, including, but not limited to, any damage that results from inadequate or improper support methods and materials.

Bridging kits are available from Sukup Manufacturing Co. to simplify installation of flooring over unload auger and to improve strength and stability of flooring over it. Bridging can be used with Standard or Heavy Duty Double Super Supports.

Table 8 shows locations where bridging is needed and shows bridging kits available (P5110 or P5111).

Table 8 –Bridging locations & kits	CENTER SUMP GATE WIDTH	INTERMEDIATE SUMP WIDTH	UNLOAD WIDTH
6" Sweepway	16" (P5110)	N/A	6" (P5110)
8" Sweepway	23 1/2" (P5111)	N/A	8" (P5110)
10" Sweepway	23 1/2" (P5111)	N/A	10" (P5110)

©3/8/18

If applicable table in flooring manual (for type of supports used under floor) says supports should be placed closer than allowed by width of center sump gate and/or unload system, then bridging is needed to support floor planks at sump and/or along unload auger. It is OK to use a Double Super Support in place of a SuperWave or Z-Post support to get closer to unload system without interference.

See applicable Channel-Lok flooring installation manual for bridging instructions. Fig. 6 shows typical placement of Double Super Supports and bridging for Sweepway.

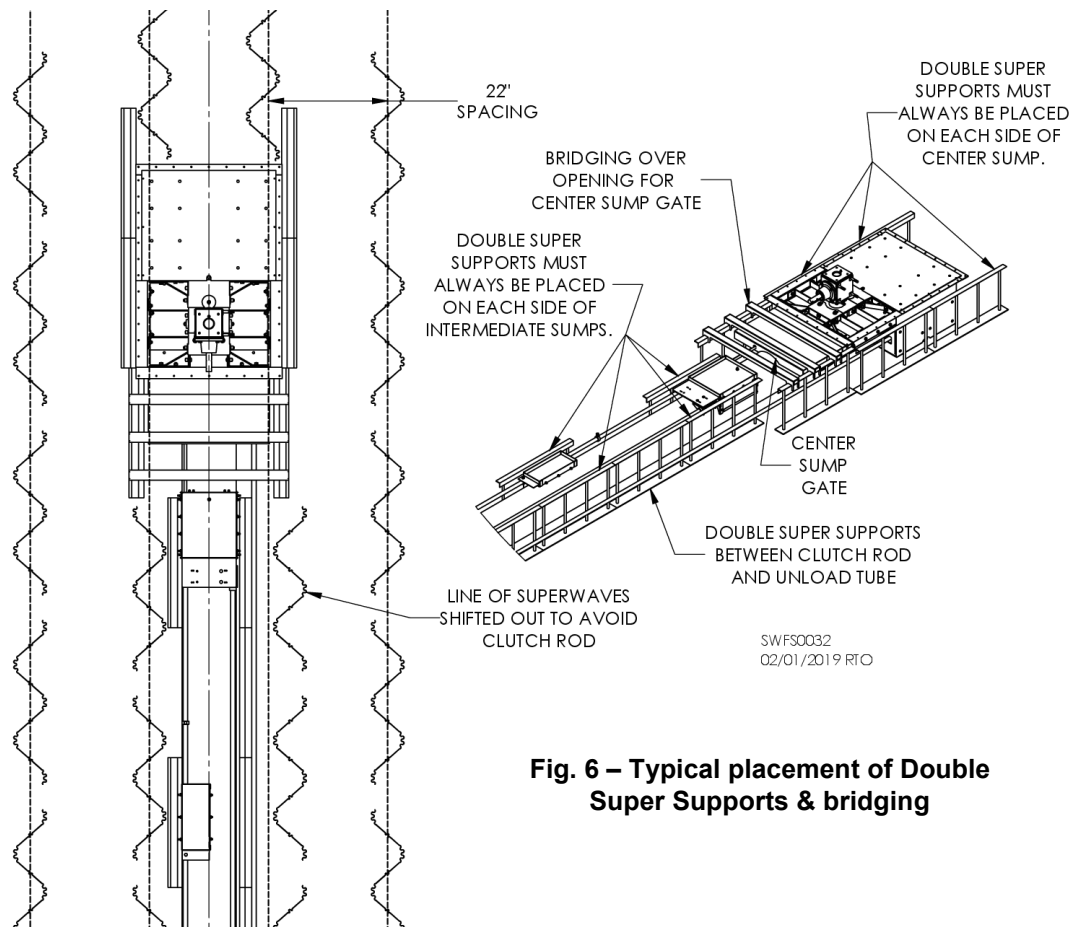


Fig. 6 – Typical placement of Double Super Supports & bridging

Installation

For installation in concrete trench:

Ensure trench meets dimensions shown in Fig. 7 and Table 9. Trench will need to be formed when foundation is poured. Because of moving slide gates and pull rods, concrete CANNOT be poured over sweep tube. After tube installation, cover trench with Channel-Lok flooring or other suitable material.

Position center sump as shown in Fig. 7 so top of gearbox is at exact center.

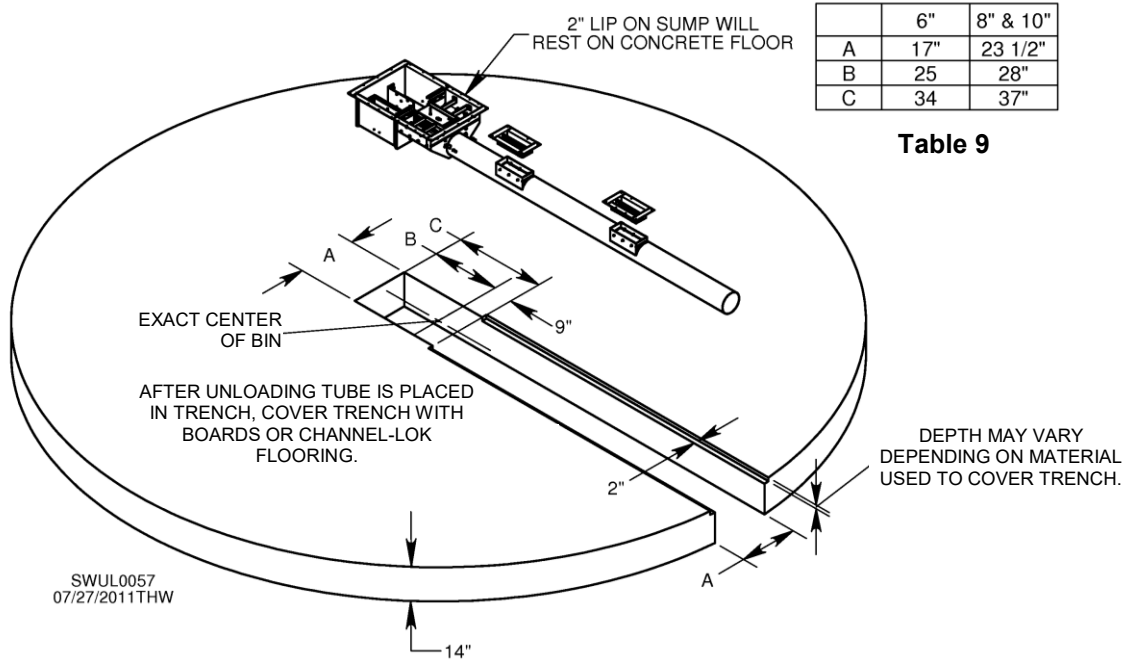


Fig. 7

For installation in either application:

A concrete pad, 4' 6" x 4' measured from bin foundation, is required for unload systems using vertical boot drive. Pad should be poured below level of concrete floor of bin, as shown in Fig. 8. Use Plenum Height table to determine pad offset (B) from bin floor. **NOTICE:** In northern locations, frost can lift pad, causing damage to unload system. Loosen threaded support legs in winter and re-tighten in spring.

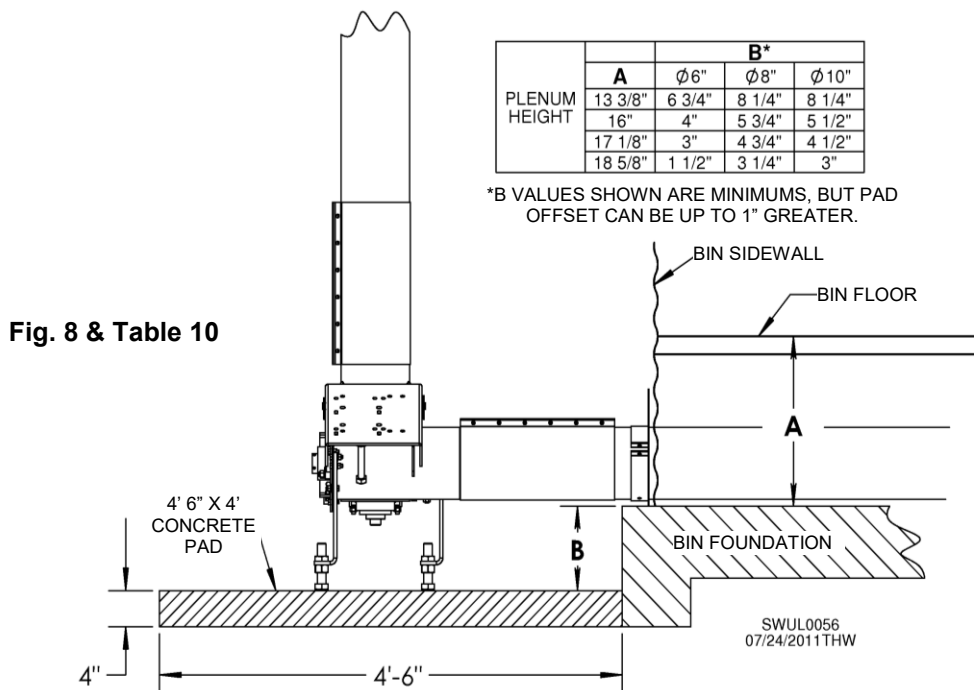


Fig. 8 & Table 10

Installation

For installation in both floor types:

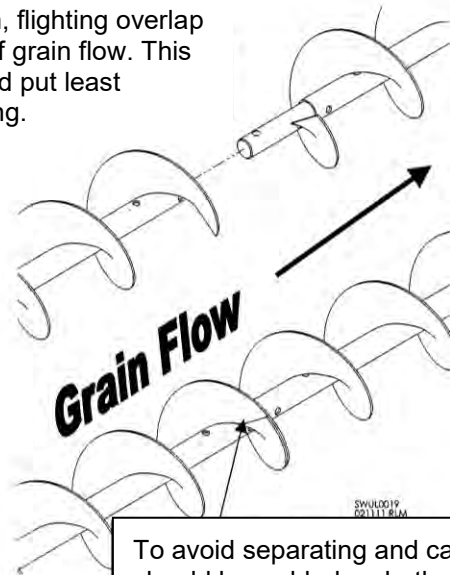
With tabs on unloading tube closest to center sump, slide unloading tube out slightly through bin wall and then back **into sump**. Position tube so intermediate sumps are straight up. Bolt tube to sump using attachment tabs welded onto tube, and holes provided in sump.

Connect extension sections of auger, if applicable, as shown in Fig. 9.

WITH OVERLAP

When adding an extension, flighting overlap needs to be on backside of grain flow. This will limit wear problems and put least amount of stress on flighting.

Fig. 9

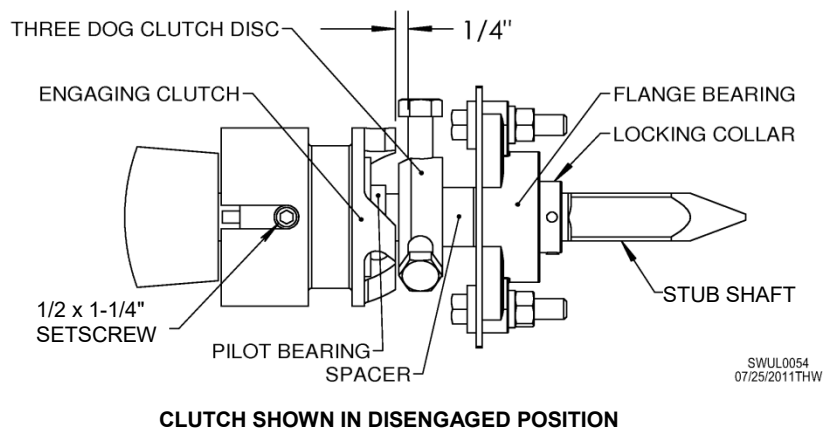


WITHOUT OVERLAP

Using bolts and turning flighting 180°, extension should be lagging, not leading inside section of flighting. If working in rice or other small grains, bolts may be omitted and shaft can be welded into place to match flights. Leave a slight gap between tubes to get a good weld on connecting shaft and tube.

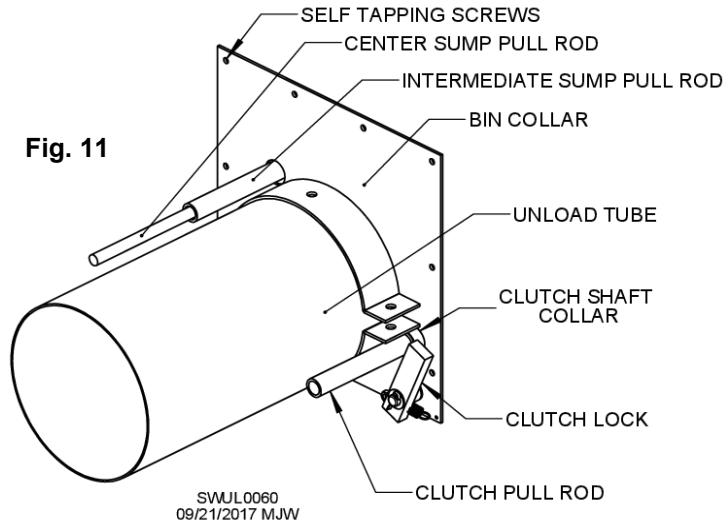
Slide unloading auger, square end first, through unloading tube and over stub shaft in sump. See Fig. 10.

Fig. 10



Installation

Slide bin collar over tube protruding from bin. Position bin collar so clutch pull rod hole and lock assembly are on lower right side as shown in Fig. 11. Collar clamp tabs will be horizontal as shown. Mark clutch rod hole and drill through bin wall. Using metal screws, fasten bin collar to bin wall. Caulk around collar. Do not tighten bin collar clamps at this time. If unload system has an independent intermediate sump, remove knockout for pull rod.



INDEPENDENT INTERMEDIATE SUMP PULL ROD INSTALLATION

Sweepways with 8" or 10" diameter unload tubes manufactured on or after June 1, 2018, are equipped with an independent intermediate sump. Follow these steps to attach pull rod:

1. Remove four (4) shaft collars from pull rod.
2. Attach a pull rod support clamp about 15" from independent intermediate sump. Be sure to leave at least 11" clearance for sump gate opening.
3. In bins more than 31' diameter, attach a second pull rod support clamp about halfway between first clamp and bin wall.
4. Slide pull rod through support clamps and into gate bracket as shown in Fig. 12, simultaneously attaching shaft collars to rod as shown.
5. With gate fully closed, push sump rod against sump.
6. Adjust shaft collars so they are tight against gate bracket. Tighten shaft collars.
7. On outside of bin, attach E5404 handle to pull rod using setscrew.
8. Ensure sump gate opens and closes completely.

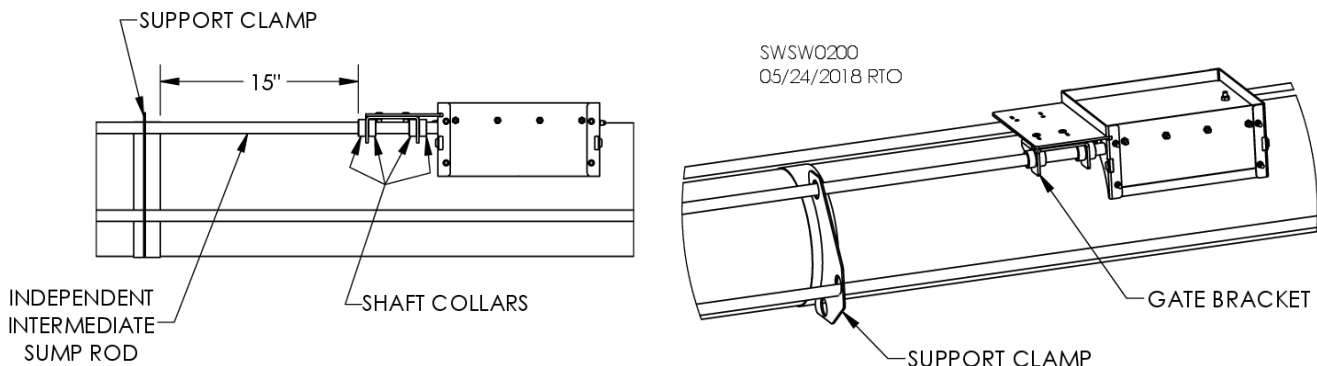


Fig. 12

Installation

Slide clutch pull rod through bin collar and into rear compartment of center sump. If not already installed on unload tube in bin 31' dia. or larger, bolt clutch rod support clamp midway on unload tube and slide clutch pull rod through support (support not needed in smaller bins).

Attach clutch pull rod to clutch shifter arm with 3/8 x 1-1/2" picker pin and hairpin clip. Use hole closest to end of shifter arm for 10" unit. Use other hole for 6" or 8" unit. See Fig. 13. See Fig. 14 for overview of center sump and clutch assembly.

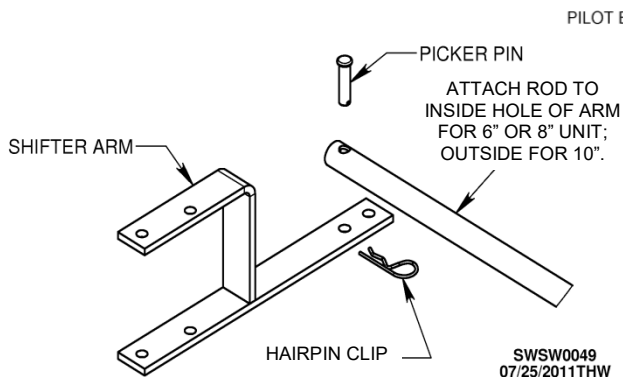


Fig. 13 – Connecting clutch pull rod to shifter arm

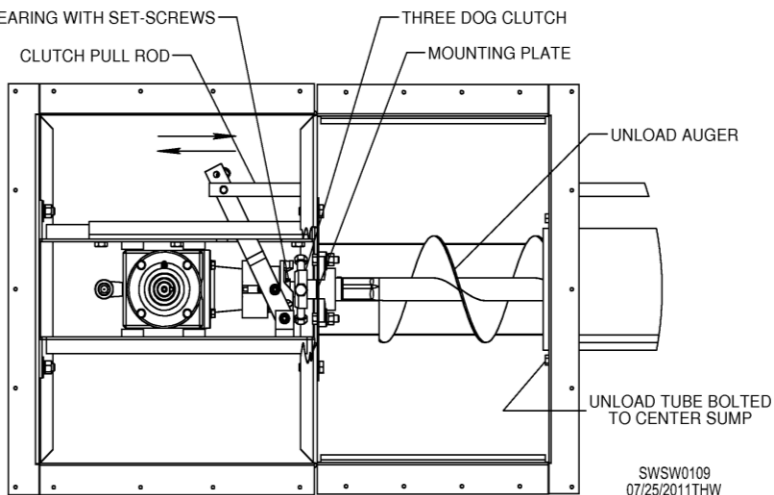


Fig. 14 – Overview of sump w/ pull rod connected

Guide center sump gate pull rod up to 1/2" nut rivet on center sump slide gate. See Fig. 5. Thread pull rod into nut rivet until tight. Turn nut on pull rod until it is tight against slide gate.

As floor installation or re-installation continues, cut floor planks where intermediate sumps will be located. Number of sumps varies with diameter of bin.

Put top half of each intermediate sump into hole cut into bin flooring. Secure flanges to flooring with self-drilling screws. See Fig. 5. Also, ensure bottoms of sump covers extend into intermediate sumps. Sump covers may have to be trimmed so they do not interfere with sump gate operation.

With all intermediate sumps in position and all sump slide gates operating freely, tighten clamps on bin collar. See Fig. 11.

Installation

Slide 1" lock collar onto clutch pull rod with clutch disengaged (rod pushed in). Push latch down and slide 1" lock collar against bin collar so that when latch is released, lock collar is sandwiched between latch and bin collar. See Fig. 15. Tighten 1" lock collar setscrew. Latch will keep clutch disengaged. When latch is pushed down, rod can be pulled for engagement of clutch.

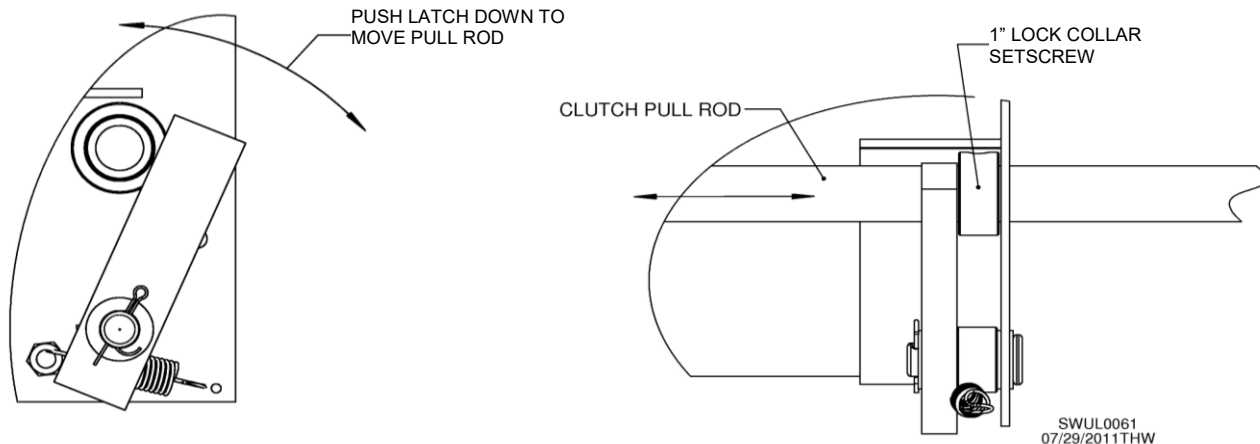


Fig. 15 – Front and side views of clutch lock assembly

NOTE: Clutch is factory-set. However, make sure teeth engage and disengage properly. There should be about 1/4" clearance when clutch is disengaged. See Fig. 10. Clutch disc may be adjusted by loosening bolts.

COMPLETING FLOOR INSTALLATION

Complete installation of bin floor, making sure to provide adequate support along unload tube and near sump. This applies to full-aeration steel floors and flooring over concrete trench.

NOTE: If small, easy-flowing grain will be stored in bin, it is best to seal sumps with silicone or a rubber membrane (not provided) to avoid leaking.

IMPORTANT: Ensure supports do not interfere with sump gate operation.

NOTICE: Floor flashing must be installed over steel aeration floor as shown in Fig. 16 to prevent excessive wear on drive wheel. Sweep moves clockwise. Ensure that flashing is overlaid so sweep wheel "steps up."

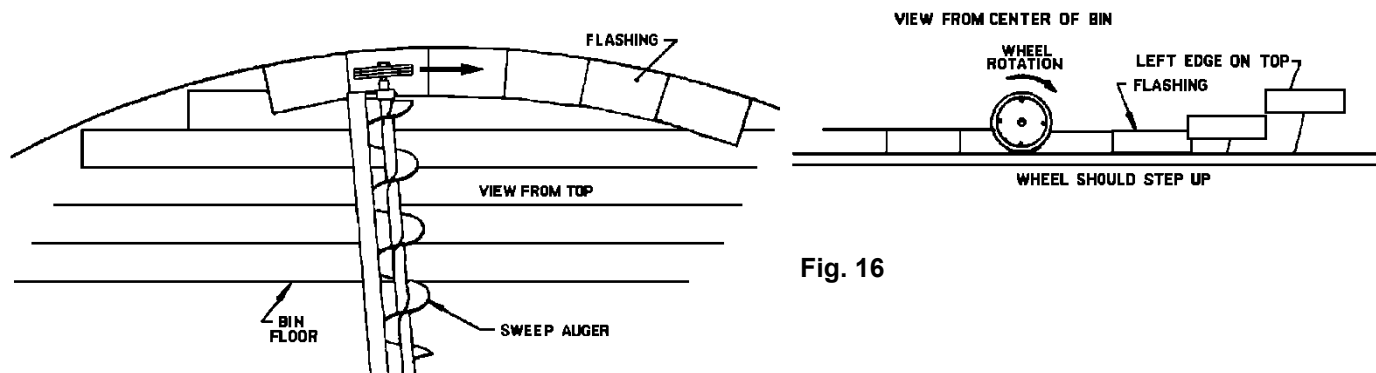
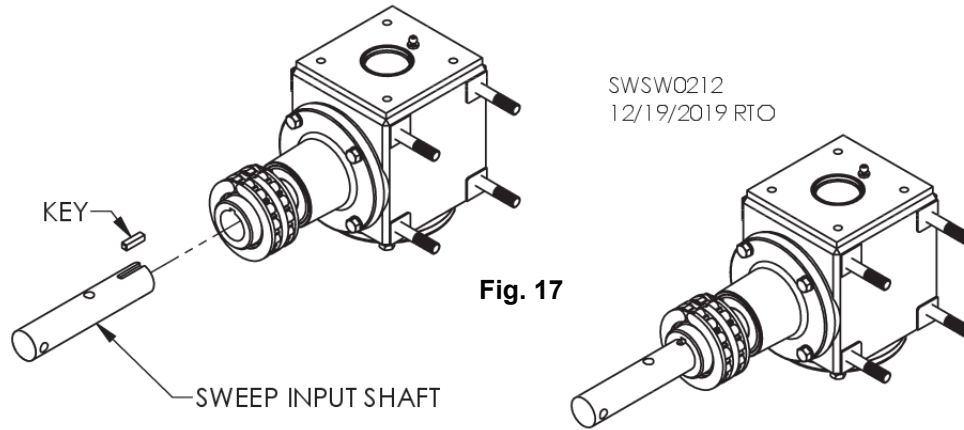


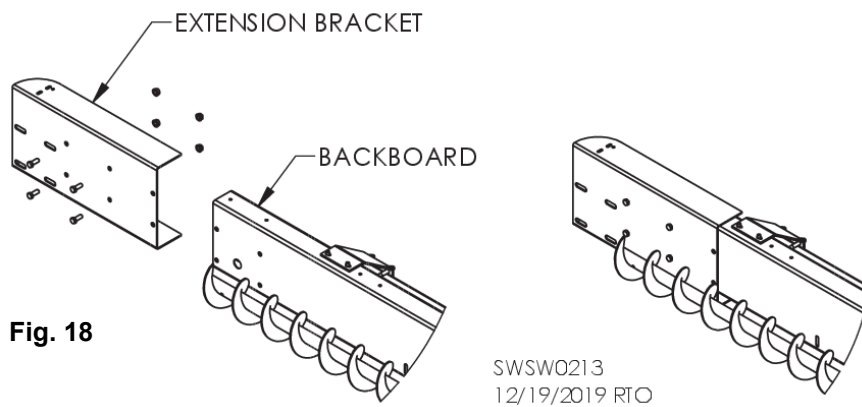
Fig. 16

ASSEMBLING BIN SWEEP

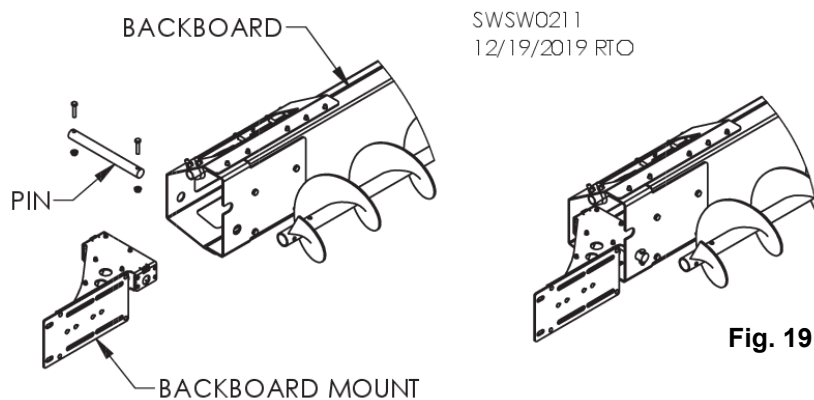
For 8" and 10" systems, start by attaching sweep input shaft to top gearbox. Insert 1/4" key into shaft and insert shaft 1" into sprocket. See Fig. 17. Tighten two (2) setscrews.



Preparation of backboard depends on size of system. For 6", attach extension bracket to backboard using four (4) 3/8" bolts. See Fig. 18.

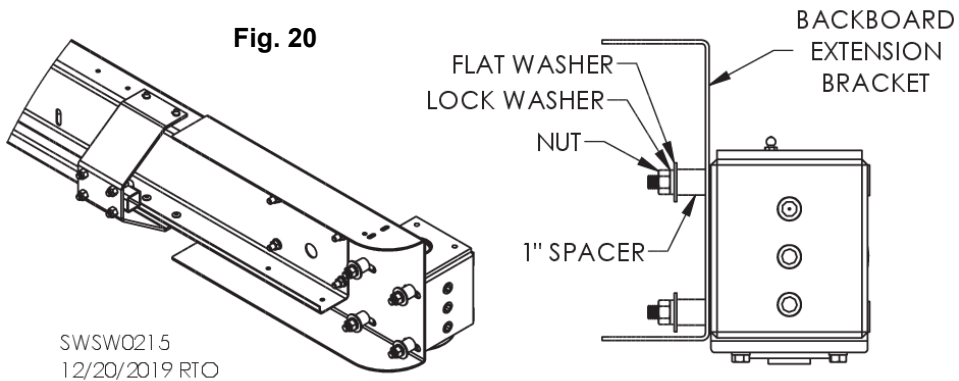


For 8" or 10" Sweepway, line up 1" diameter holes in backboard with holes in backboard mount. See Fig. 19. Insert pin and secure it with two (2) 5/16" bolts, one on each end.

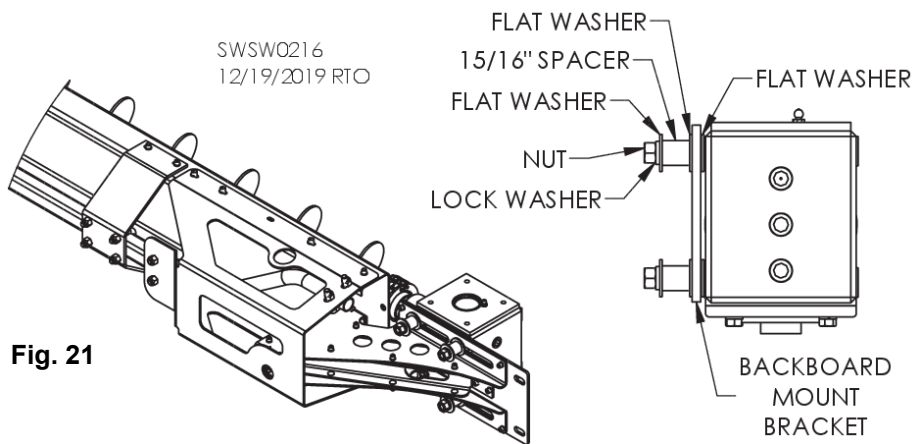


Installation

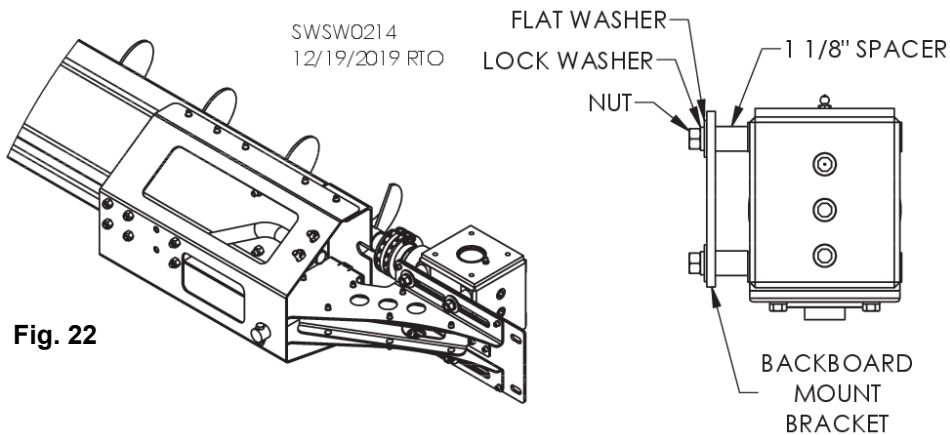
On 6" Sweepway, attach backboard to top gearbox as shown in Fig. 20 using previously installed backboard extension bracket. Slide a 1" spacer over each 7/16" stud, then a flat washer and lock washer. Secure with 7/16" nut on each stud.



On 8" Sweepway, attach backboard to top gearbox as shown in Fig. 21 using previously installed backboard mount bracket. Slide a flat washer over each stud protruding from gearbox, then slide studs through backboard mount bracket and attach using flat washer, 15/16" spacer then a flat washer and lock washer. Secure with 7/16" nut on each bolt.



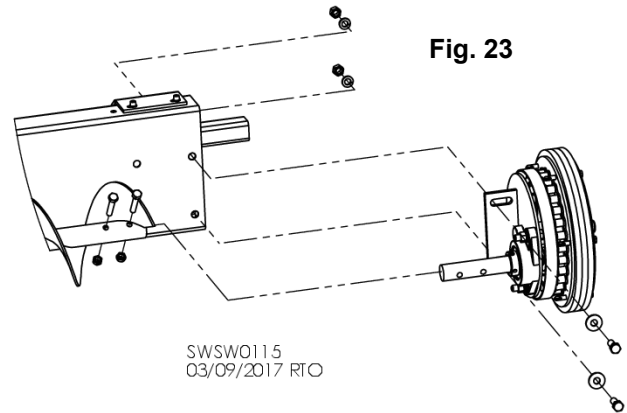
On 10" Sweepway, attach backboard to top gearbox as shown in Fig. 22 using previously installed backboard mount bracket. Slide a 1-1/8" spacer over each stud protruding from gearbox, then slide studs through backboard mount bracket. Slide a flat washer over each stud and then a lock washer. Secure with 7/16" nut on each bolt.



Installation

Size of drive wheel used on sweep depends on size of bin and unload system. A 10" wheel with 4:1 reducer comes standard for all 6" systems and for 8" systems in bins up to 34' dia. A 17" wheel with 16:1 reducer comes standard for 8" systems in bins 36' dia. and larger and for all 10" systems.

For attachment of 10" wheel, see Fig. 23. Loosely bolt sweep auger to reduction wheel input shaft using two 5/16 x 1-3/4" screws (J0570) and two 5/16" lock nuts (J1010). Loosely bolt mounting bracket to sweep backboard using two 3/8 x 1" screws (J0606), 3/8" split lock washers (J1205) and 3/8" hex nuts (J1020) as shown. Position wheel so it is perpendicular with backboard and straight up and down. Tighten bolts connecting shaft to auger, and bolts connecting mounting bracket to backboard.

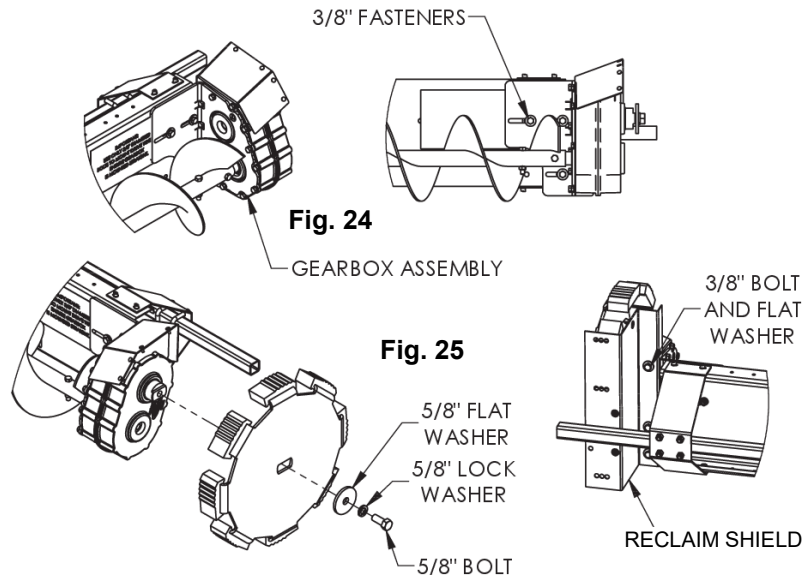


For attachment of 17" wheel, see Fig. 24. Slide gearbox assembly shaft into auger. On 8" system, secure with 5/16 x 1-3/4" bolts and 5/16" lock nuts. On 10" system, secure with 3/8 x 2-1/4" bolts and 3/8" lock nuts. **NOTICE:** Ensure gearbox is straight. Failure to do so may cause auger tube to break.

Bolt gearbox assembly to backboard using 3/8 x 1" bolts, flat washers and flange nuts. See Fig. 24.

Remove 5/8" bolt from gearbox output shaft. Use it to attach drive wheel as shown in Fig. 25.

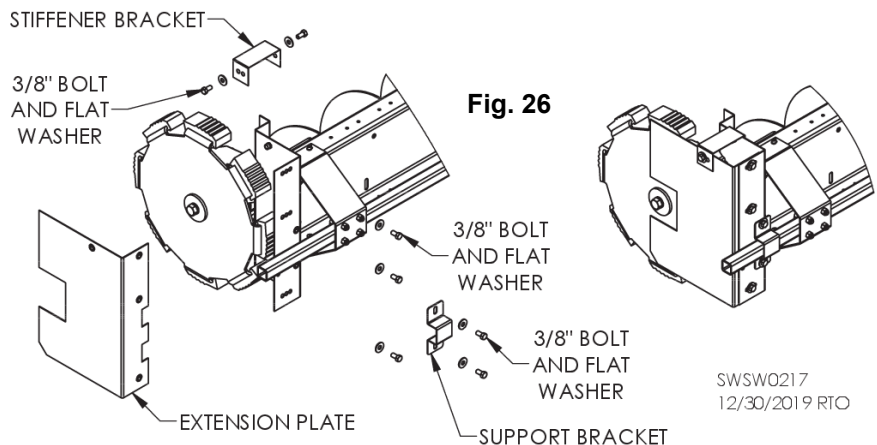
Attach grain reclaim shield as shown in Fig. 25 using 3/8 x 3/4" bolts, flat washers.



Attach extension plate, support bracket and stiffener bracket as shown in Fig. 26 using 3/8 x 3/4" bolts, flat washers.

NOTE: On reclaim shield there are three holes in each of the three sets of holes for mounting extension plate. Use the middle hole in each set.

NOTE: If bin has a stirring machine, trim its down-augers to avoid contact with sweep and 17" wheel. Minimum clearance from any object is 6".



Installation

Attach rear carrier wheel(s) to backboard as shown on Page 85. In bins 35' dia. and larger, attach one wheel about 3' from center of bin and one about 3' from drive wheel. In smaller bins, attach a single wheel near middle of backboard. **Ensure sumps will be missed by carrier wheel(s). Use orange stickers on backboard as a guide.**

NOTE: If bin has a stirring machine, trim its down-augers to avoid contact with sweep and 17" wheel. Minimum clearance from any object is 6".

ATTACHING SWEEP STOP

Bolt sweep stop to bin wall near door so it can be positioned without entering bin. Bottom of stop must be 1-1/2" from floor. For Sweepway with 17" drive wheel, add sweep stop extension (E5515) as shown in Image 1 using two (2) 5/16" bolts and 5/16" flange nuts.

Mount sweep stop bracket to wall with four (4) 5/16 bolts w/ polyurethane washers, 5/16" fender washers and 5/16" flange nuts. **NOTE:** Flashing bolts can be used to mount bottom of bracket. Holes for top of bracket will have to be field-drilled.

Image 2 shows sweep stop retracted to let sweep pass.

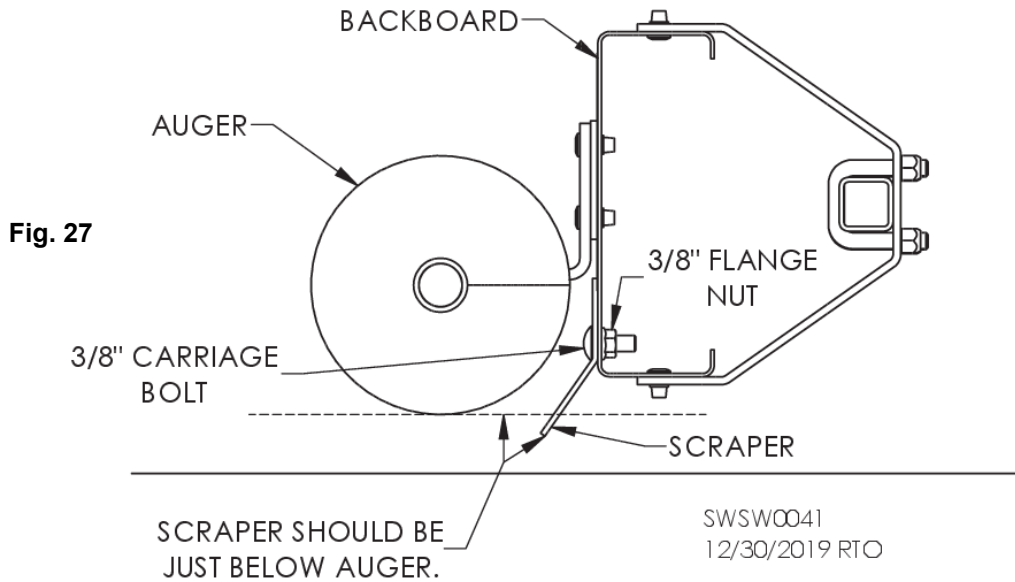


Image 1 – Sweep stop extension added for use with 17" drive wheel



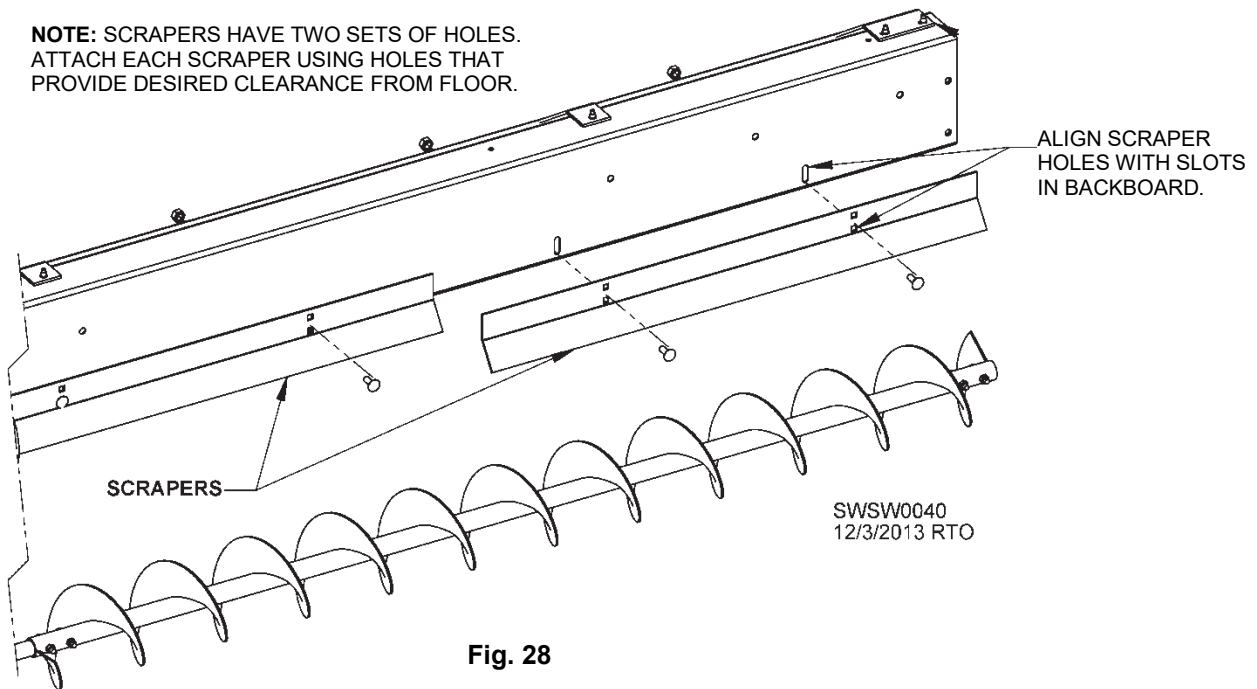
Image 2 – Sweep stop retracted

BACKBOARD SCRAPER INSTALLATION



1. Attach scrapers to backboard using 3/8 x 1" carriage bolts, **with heads of bolts on auger side of backboard**. See Fig. 27. Place scraper's short side flat against backboard as shown and align scraper holes with slots. See Fig. 28. Adjust scraper sections so bottoms are just below auger as shown in Fig. 27. Tighten 3/8" flange nuts. **NOTE:** Setting scraper too low will limit forward travel of sweep auger and reduce unload capacity.

NOTE: SCRAPERS HAVE TWO SETS OF HOLES. ATTACH EACH SCRAPER USING HOLES THAT PROVIDE DESIRED CLEARANCE FROM FLOOR.



Installation

2. Continue attaching scraper sections on backboard until all are installed or until all visible slots in backboard have been filled. Scraper closest to center sump may only be 18" long depending on bin diameter. If an 18" section is used, it must be field-attached to inside end of backboard. All scraper sections provided may not be used. **NOTE:** If an 18" section of scraper is needed, it will be factory-attached to back of backboard. Remove and attach to front as directed.
3. Once all scrapers and all other equipment for bin have been installed, exit bin and engage sweep auger. Start unload system and allow sweep to make one complete revolution in bin to make sure there is nothing on floor that will catch on scrapers.



DANGER: KEEP AWAY when auger is running. Entanglement with rotating auger will cause death or serious injury.

4. If scrapers catch on anything, stop unload system and remove obstacle. If it cannot be removed, raise scraper section that was hitting obstacle until it clears. Back up sweep a couple feet, exit bin and resume test.
5. Once scrapers are adjusted so sweep can make its revolution in bin freely, shut power off and make sure scrapers sections are tight. Once bin has been filled, floor and sweep may flex due to weight of grain. It may be necessary to adjust scrapers again. Make sure sweep auger is positioned just behind intermediate sumps.

CLUSTER BUSTER INSTALLATION

Determine location for hole in side of bin. Position sweep auger just behind outermost intermediate sump (to left of sump when looking toward bin wall). Note location of backboard torsion bar and drill 1" dia. hole in bin wall that will line up with torsion bar. See Image 3.

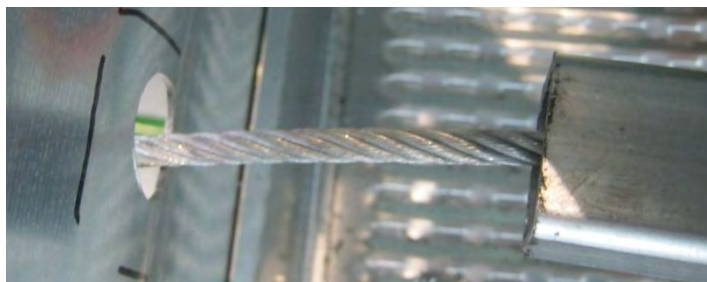


Image 3 – Hole aligned with torsion bar

Insert end of 1" OD bent conduit (E7968 or E79681) into torsion bar and attach other end to backboard using U-bolt (1/4" for 6" unit, 3/8" for 8" or 10"). See Fig. 29. On 8" or 10" Sweepway, end of conduit should be about 3-1/2" as shown.

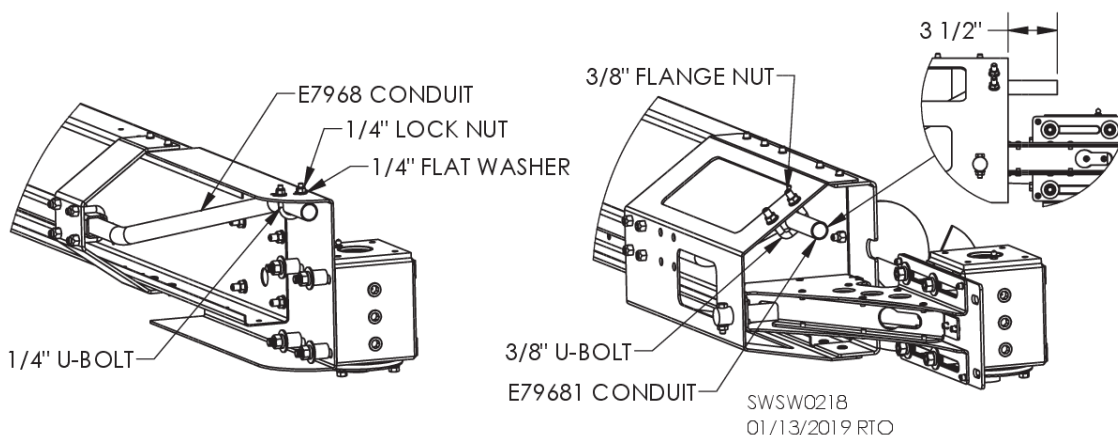


Fig. 29

Insert 1/4" cable (not provided) through hole in bin and push through torsion bar and conduit so cable extends about 15" from conduit.

See Table 11 on next page for recommended cable length. Leave enough cable outside of bin to attach drill.

Mark cable at bin wall to serve as a guide for when other end is over sump.

Use torch to weld end strands of cable together to prevent fraying. See Image 4. Welding cable will help ease its transition from torsion bar to conduit.

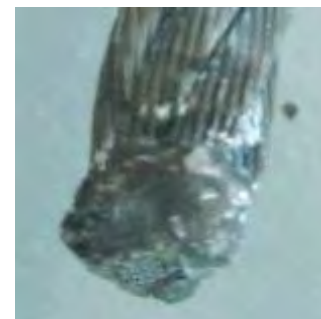


Image 4 – Welded cable

Installation



Image 5 – Alignment rod in torsion bar

Remove cable from bin and insert rod through bin wall hole and into torsion bar. See Image 5. Press down on handle as shown in Image 6 to seal rubber grommet in hole. If seal is not tight, remove rod and turn rubber grommet counterclockwise while holding handle stationary to increase grommet diameter. Reinsert and check seal again. Repeat as needed.



Image 6 – Rod/plug handle outside of bin



Image 7 – Rod kept inside of bin door

Affix Cluster Buster operation sticker to inside of bin door near bolt where rod will hang when not in use.

TO OPERATE: From outside of bin, remove alignment rod and insert 1/4" cable through torsion bar and conduit. Push cable until it comes into contact with grain over sump.

Attach variable-speed drill to cable and turn drill on. Push spinning cable in and out until clog is broken up and grain is moving. **NOTE:** If cable does not turn when drill is activated, pull back slightly.

NOTICE: Before engaging sweep, make sure neither cable nor rod is in torsion bar.

When bin is empty, line up torsion bar with hole in bin wall. Slide rod into torsion bar from outside of bin and snap down handle to plug hole.

Table 11 – Cable lengths by bin diameter

BIN DIAMETER	1/4" DIAMETER CABLE LENGTH
24'	13' 8"
24' 9"	14' 1"
26' 3" (8M)	14' 10"
27'	15' 2"
27' 10"	15' 7"
29' 6" (9M)	16' 5"
30'	16' 8"
31'	17' 2"
33'	18' 2"
34'	18' 8"
36' (11M)	19' 8"
37' 4"	20' 3"
42'	22' 8"
42' 8" (13M)	23'
43' 3"	13' 4"
48'	25' 8"
49' 3" (15M)	26' 4"
54'	28' 8"
55' 8"	29' 6"
60'	31' 8"
61' 10"	32' 7"

SWEEPWAY POWERHEAD OPTIONS

Horizontal with Single Motor Drive

To aid in part identification during assembly, see Pages 48-49.

1. Slide connector sleeve onto unloading tube and loosely attach with 3/8 x 3" bolts, lock washers and nuts. See Pages 35-37 for instructions on installation of sump openers.
2. Remove safety shield sections (6, 8) and brackets (7) from powerhead assembly. Slide powerhead tube into connector sleeve so unload auger shaft protrudes through flange bearing (9). Slide powerhead on completely so that it contacts unloading tube.
3. Rotate powerhead assembly to level position and tighten bolts on connector sleeve.
4. Slide locking collar (26) over auger shaft protruding from unloading tube and lock onto flange bearing. Tighten setscrew on locking collar.
5. Mount 3.4" motor pulley onto motor shaft. Secure with key and setscrew.
6. Mount motor onto motor mount plate (4) with 3/8 x 1-1/2" bolts, nuts, lock washers and flat washers.
7. Re-attach brackets (7) and inner shield (8).
8. Attach pulley (25) to shaft extending from unload tube. Place 1/4" key (27) in slot on pulley and align with motor pulley. Tighten setscrew.
9. Place belts (28) on pulleys. Tension may be adjusted by tightening bolt on bottom motor mount plate. See belt-adjusting instructions on Page 34.
10. Place outer safety shield (6) over pulley and tighten bolts. **KEEP SHIELD IN PLACE AT ALL TIMES!**

Installation

Basic Vertical Auger

To aid in part identification during assembly, see Pages 50-51.

1. Slide connector sleeve (13) halfway onto unloading tube. Loosely bolt with 3/8 x 3" bolts, lock washers and nuts. See Pages 35-37 for instructions on installation of sump openers.
2. Remove safety shield assembly from vertical auger boot.
3. Slide boot into sleeve (13) positioned on under-bin unloading tube so it contacts under-bin unloading tube. Slide unloading auger shaft through flange bearing of boot while sliding tube together. Boot should be tight against under-bin unload tube. Rotate boot to right for assembly of vertical auger.
4. Slide second connector sleeve (13) halfway up vertical tube of boot. Loosely bolt in place with 3/8 x 3" bolts, nuts and lock washers.
5. Slide vertical auger flighting (23) (double flighting at bottom) through boot so that bottom shaft extends through bearing on bottom of boot.
6. Slide tube (15) over flighting into second connector sleeve so that tube contacts boot. Tighten connector sleeve.
7. Attach third connector sleeve (13) to top half of tube (15). Loosely bolt in place.
8. Slide top spout (11) over flighting while sliding top auger shaft (2) through top bearing (4) into connector sleeve so that top spout contacts tube. Rotate spout to desired unloading direction and tighten connector sleeve.
9. Place locking collar (22) over top shaft (2). Drive 5/16 x 1-3/4" rollpin (1) through hole in shaft just above bearing and collar. Check to be sure rollpin rests against locking collar. Lock locking collar on flange bearing and tighten setscrew on locking collar.
10. Slide second locking collar onto shaft protruding from bearing end plate (Not shown) at bottom of vertical auger and lock in place on flange bearing. Tighten setscrew.
11. Bolt 2-1/2' truck spout (12) onto top spout (11) using 3/8 x 1-1/2" bolts, nuts and lock washers.
12. Using crane, raise vertical auger into position. Provide temporary blocking under boot. Clamp support bracket(s) around vertical auger.
13. Tighten bottom, horizontal connector sleeve.
14. Adjust threaded support jack bolt on boot to carry load of vertical auger. Remove temporary blocking under auger. Check to see that tube and auger are aligned.
15. Using existing bin bolts, attach support brackets (14) to bin wall about 10' up on vertical tube. If bin has outside stiffeners, attach brackets to stiffeners (holes may need to be drilled). Adjust and secure legs of support brackets.
16. Slide locking collar over unloading shaft from horizontal auger. Lock in place on flange bearing. Tighten setscrew.
17. Ensure all safety shields are in place and bolts are tight. **NOTE:** Safety shield brackets and inner shields must be installed before pulleys.

Installation

Two Motor Drive (Standard Equipment)

To aid in part identification during assembly, see Pages 52-53.

1. Follow Steps 1-17 in Basic Vertical Auger Assembly Instructions.
2. Mount motor (motor and motor pulley not included) onto horizontal motor mount using four 3/8 x 1-1/2" bolts, lock washers, flat washers and nuts. Motor uses 3.4" motor pulley.
3. Reinstall brackets and inner shield section.
4. Mount large pulley onto horizontal shaft. Place 1/4" key in slot of pulley. Align pulley with motor pulley. Tighten setscrews.
5. Install belts provided and tighten to proper tension by adjusting bolt under horizontal motor mount. See belt-adjusting instructions on Page 34.
6. Mount 3.4" motor pulley onto vertical motor. Mount motor to vertical motor mount plate, using four 3/8 x 1-1/2" bolts, nuts, washers and flat washers.

NOTE: Shields for vertical auger are attached upside-down at factory to avoid damage during shipping. They must be rotated 180° during field installation.

7. Mount 9" pulley onto bottom vertical shaft. Place 1/4" key in slot of pulley. Align with motor pulley and tighten setscrews.
8. Install belt(s) onto pulleys and adjust to proper tension. See belt-adjusting instructions on Page 34.
9. Ensure all safety shields are in place and bolts are tight.

One Motor Drive (Optional Equipment)

To aid in part identification during assembly, see Pages 53-54.

1. Follow Steps 1-17 in Basic Vertical Auger Assembly Instructions.
2. Slide large pulley (35) onto shaft extending from horizontal unload tube with hub side of pulley out. Place 1/4" key (36) in slot on pulley.
3. Slide 50B15 sprocket (62) on shaft protruding from horizontal unload tube with hub side away from pulley.
4. Slide 50B15 sprockets (56) on each shaft of gearbox and on bottom shaft of vertical auger. Place 1/4" key in slots of all sprockets and align. Tighten setscrews.
5. Place short #50 chain and connector link on sprocket on bottom of gearbox and sprocket on bottom of vertical auger. Chain can be tightened by adjusting gearbox mounting bolts. Align.
6. Mount motor onto mounting plate (11) with 3/8 x 1-1/4" bolts, nuts, washers, and flat washers. Mount 3.4" motor pulley. Align pulleys and tighten setscrews. Place belts (39) on pulleys and adjust tension by adjusting under motor mount plate. See belt-adjusting instructions on Page 34.
7. Place long #60 chain and connector link on sprocket on front of gearbox and on sprocket on end of horizontal unload tube. Adjust tension by raising or lowering idler sprocket (64). Align.
8. Ensure all safety shields are in place and bolts are tight.

Installation

Top Drive

To aid in part identification during assembly, see Pages 56-57.

1. Slide first of three connector sleeves (40) halfway onto horizontal unloading tube. Loosely bolt connector sleeve with 3/8 x 3" bolts, nuts and lock washers.
2. Remove safety shields (48, 47) and shield brackets (46) from vertical auger boot.
3. Slide boot into sleeve (40), positioning on unloading tube so it contacts under-bin unload auger. Slide unloading auger shaft through flange bearing of boot while sliding tube together. Boot should be tight against under-bin unload tube. Rotate boot to right for assembly of vertical auger.
4. Slide second connector sleeve halfway up vertical tube of boot. Loosely bolt in place with 3/8 x 3" bolts, nuts and lock washers.
5. Slide vertical flighting (double flighting at bottom) through boot so that bottom shaft extends through bearing on bottom of boot.
6. Slide tube (39) over flighting into second connector sleeve so tube contacts boot. Tighten sleeve.
7. Attach third connector sleeve (40) to top half of tube in same manner as previous connector sleeves. Loosely bolt in place.
8. Slide top spout (1) over flighting while sliding auger shaft through top bearing (4) into connector sleeve so that top spout is against tube. Rotate spout to desired unloading direction and tighten third connector sleeve.
9. Place locking collar (5) over top shaft (31). Add spacer (37). Mount pulley (9) on shaft. Drive 5/16 x 1-3/4" rollpin (11) through hole in shaft just above pulley. Check to be sure rollpin rests against pulley. Lock locking collar in place on flange bearing (4). Tighten setscrew.
10. Slide second locking collar (5) onto shaft protruding from bottom bearing end plate (Not shown) of vertical auger and lock in place on flange bearing. Tighten setscrew.
11. Bolt 2-1/2' truck spout (43) onto top spout using 3/8 x 1-1/2" bolts, nuts and lock washers.
12. Using existing bin bolts, attach support bracket (42) to bin wall about 10' up on vertical tube.
13. Using crane, raise vertical auger into position. Provide temporary blocking under boot. Clamp support bracket around vertical auger.
14. Tighten bottom, horizontal connector sleeve.
15. Adjust threaded support jack bolt on boot to carry load of vertical auger. Remove temporary blocking under auger. Check to see that tube and auger are aligned.
16. Adjust and secure legs of support bracket.
17. Slide third locking collar over unloading shaft from bearing. Tighten setscrew.
18. Remove motor mount and bolt to motor using four 3/8 x 1-1/2" bolts, flat washers and lock washers. Re-attach motor mount.
19. Re-attach safety shield brackets and inner shields.
20. Align pulley (9) with motor pulley. Insert 1/4" key in key slot and tighten setscrew.
21. Place belts (23) onto pulleys and tighten using motor mount adjustment bolt. Belt tension should be as low as possible without allowing belts to slip. See belt-adjusting instructions on Page 34.
22. Recheck belt tension before operation. Replace outer section of safety shields. **NEVER OPERATE UNIT WITHOUT SAFETY SHIELDS SECURELY IN PLACE.** Make sure all safety decals have been installed and are legible. See safety section for correct locations and descriptions of safety decals.

Installation

Incline

To aid in part identification during assembly of incline for 6" Sweepway, see Pages 58-59.

Installation of incline will depend on size of Sweepway system. Instructions for 6" system start below. Instructions for 8" or 10" systems are on next page.

Remove bolts holding 6" system tube mount to incline tube. Attach mounting brackets to incline using previously removed bolts. See Fig. 30.

Remove flinger and auger shaft from unload auger. See Fig. 32. Weld 1' section of flighting to unload auger. See Fig. 32.

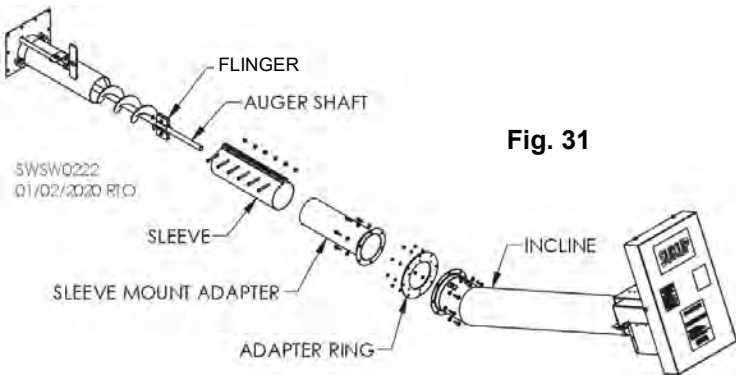


Fig. 31

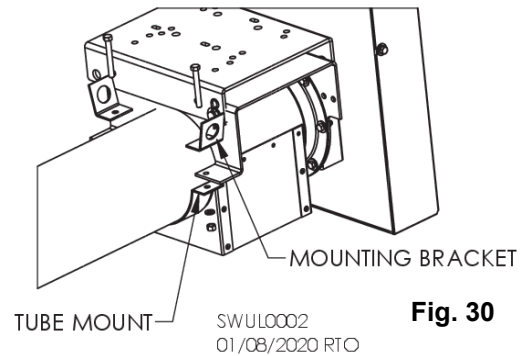


Fig. 30

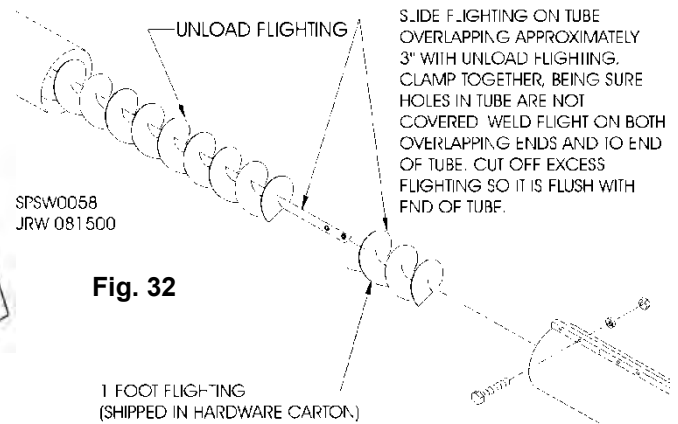


Fig. 32

Pull auger out of unload tube slightly. Slide sleeve, sleeve mount adapter and adapter ring over auger. Temporarily support incline. Attach unload auger to shaft in incline using previously removed hardware. Attach adapter ring to incline as shown in Fig. 31. Loosely attach sleeve and sleeve mount adapter as shown.

Slide incline up to unload tube and tighten in place. Ensure inside square section of auger slides into square shaft in center sump.

Remove outer belt shield and install belts. See Page 34 to tighten belts. Reinstall outer belt shield.

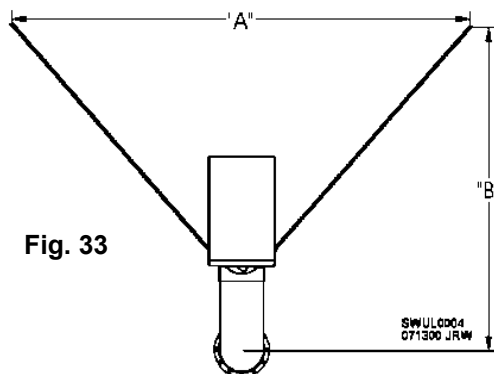


Fig. 33

INSTALL EYEBOLT WITH ONE NUT COMPLETELY THREADED BEFORE PUTTING IN BIN WALL. START SECOND NUT ON EYEBOLT. LEAVING ROOM TO TAKE UP SLACK IN CHAIN.

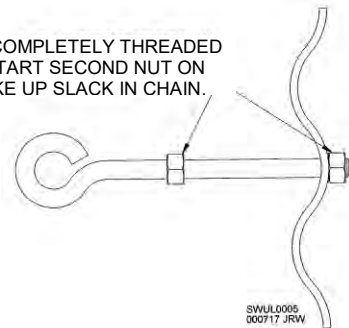


Fig. 34

Remove two bin bolts spaced equidistantly from unload tube ("A" = 80-100") along seam between second and third rings of bin sheets ("B" = 60-80"). See Fig. 33. Install eyebolts in place of bin bolts. See Fig. 34.

Connect one end of each support chain to mounting bracket shown in Fig. 30 and other end to an eyebolt. See Fig. 34. Tighten bolts.

Installation

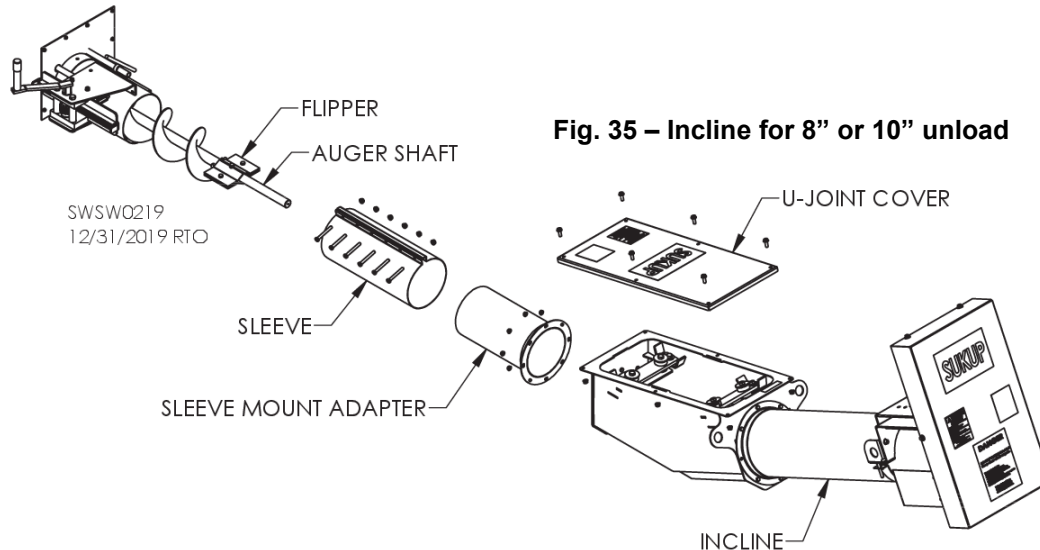
To aid in part identification during assembly of incline for 8" or 10" Sweepway, see Pages 60-64.

Remove flinger and auger shaft from unload auger. Save fasteners.

Remove U-joint cover from incline. See Fig. 35.

Weld 1' section of flighting to auger. See Fig. 32.

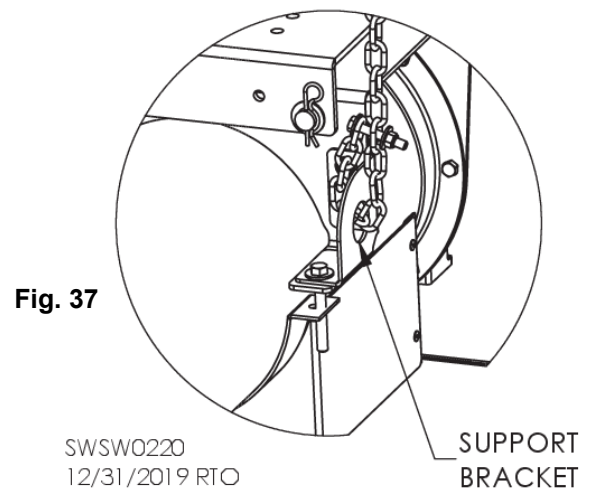
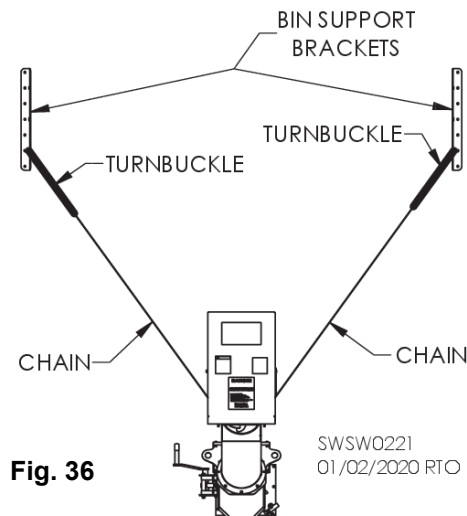
Attach sleeve mount adapter to incline. Loosely attach connector sleeve to unload tube. Slide whole assembly together, making sure that shaft in incline goes into unload auger. Secure with previously removed hardware. Tighten bolts on sleeve mount.



Attach support brackets to bin, bolting them to hills of third sheet from bottom and positioned so that incline will be centered between them. See Fig. 36.

Attach chain to each side of incline by looping through support bracket. See Fig. 37. Attach turnbuckles to brackets and attach chains to turnbuckles. Tighten them to support incline.

Remove outer belt shield. Install pulley and belts. See Page 34 to tighten belts. Reinstall outer belt shield.



ADJUSTING BELT TENSION

Place belt(s) in sheave grooves and tighten by adjusting motor mount. Follow these steps to tension belt.

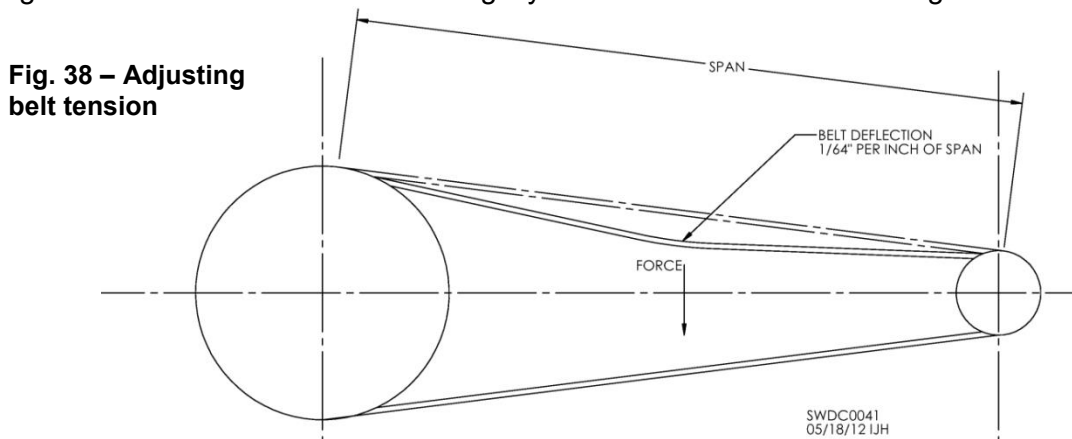
1. Measure span length. See Fig. 38.
2. At center of span, apply enough force to deflect belt 1/64" for every 1" of belt span. If span is 32", deflection amount should be 32/64", or 1/2".
3. Use Table 12 to determine amount of force to apply to gauge proper deflection per belt.

Belt Cross Section	Smallest Pulley Diameter Range	RPM Range	Belt Deflection Setting			
			Deflection = 1/64 of belt span			
			Uncogged Single V-Belts & Uncogged Banded V-Belts		Cogged V-Belts & Cogged Banded V-Belts	
			Used Belt	New Belt	Used Belt	New Belt
A, AX	3.0 – 3.6"	1,000 – 2,500	3.6	5.4	4.0	6.0
		2,501 – 4,000	2.8	4.1	3.3	4.9
	3.8 – 4.8"	1,000 – 2,500	4.4	6.6	4.9	7.3
		2,501 – 4,000	3.7	5.7	4.3	6.4
	5.0 – 7.0"	1,000 – 2,500	5.3	7.8	5.7	9.2
		2,501 – 4,000	4.6	6.8	5.1	7.6
B, BX	3.4 – 4.2"	860 – 2,500	---	---	4.8	7.2
		2,501 – 4,000	---	---	4.1	6.2
	4.4 – 5.6"	860 – 2,500	5.2	7.9	7.1	10.5
		2,501 – 4,000	4.5	6.6	7.1	9.1
	5.8 – 8.6"	860 – 2,500	6.2	9.4	8.4	12.4
		2,501 – 4,000	6.0	6.8	7.3	10.7
5V, 5VX	4.4 – 6.7"	500 – 1,749	---	---	10	15.2
		1,750 – 3,000	---	---	8.9	13.2
		3001 – 4000	---	---	5.6	8.5
	7.1 – 10.9"	500 – 1,740	12.6	18.9	14.8	22.1
		1,741 – 3,000	11.2	16.5	13.7	20.1
	11.8 – 16.0"	500 – 1,740	15.5	23.4	17.1	25.5
1,741 – 3,000		14.5	21.8	16.8	25	

Table 12 – Belt deflection settings for Bestorq belts

Sukup products use belts made by Bestorq. Sukup recommends using a Bestorq tension meter to measure belt deflection. Go to www.bestorq.com or call (402) 423-3077 for more information.

After adjusting tension to desired level by adjusting motor mount, remove any foreign material from inside of belt guard. Check that all fasteners are tightly secured. Close and latch belt guard.



IMPORTANT: Check and adjust belt tension after first five (5) and 24 hours of operation, then during regular maintenance (at least twice yearly).

SUMP OPENER FOR 6" SWEEPWAY

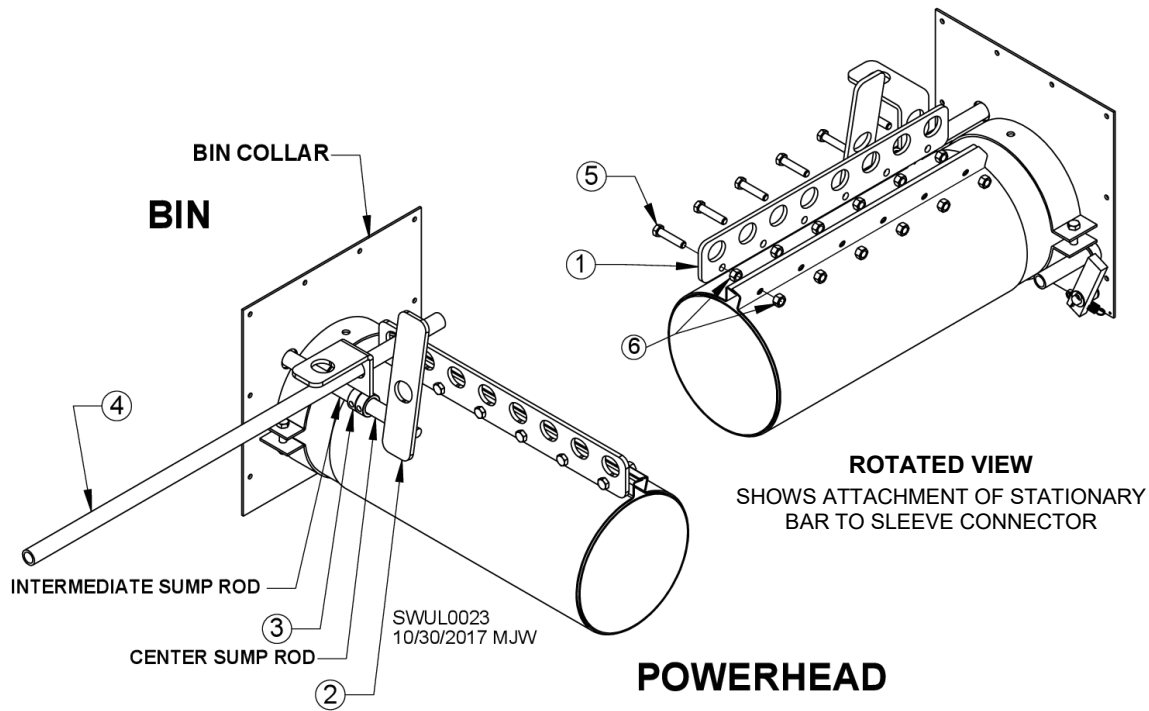


Fig. 39 & Table 13

REF. #	DESCRIPTION	QTY.	6" PART #
	Complete pull rod opener assembly	1	E5432
1	Stationary bar	1	E5884
2	Center sump opener handle	1	E5889
3	Intermediate sump opener L handle	1	E5888
4	Lever arm	1	E5885
5	Bolt, 3/8 - 16 x 3"	6	J0660
6	Hex nut, 3/8" -16	12	J1020

Installation instructions:

1. With sumps fully closed, attach center sump opener "L" handle (2) to center sump pull rod using setscrews in shaft collars, and attach intermediate sump opener "L" handle (3) to intermediate sump pull rod using setscrews in shaft collars.
2. Attach stationary bar (1) to connector sleeve using 3/8" bolts (5) and two rows of 3/8" nuts (6) as shown in Fig. 39.
3. Slide connector sleeve as needed to line up innermost hole in stationary bar with hole in intermediate sump opener "L" handle (3). Tighten hardware.

Open sump gates by sliding lever arm (4) through hole in opener handle and hole in stationary bar. Pull arm away from bin to open sump(s) and push arm toward bin to close sump(s). Use other pry holes in stationary bar as needed.

IMPORTANT: Always open and unload from center sump first. Never open intermediate sumps until grain stops flowing from center sump.

SUMP OPENER FOR 8" SWEEPWAY

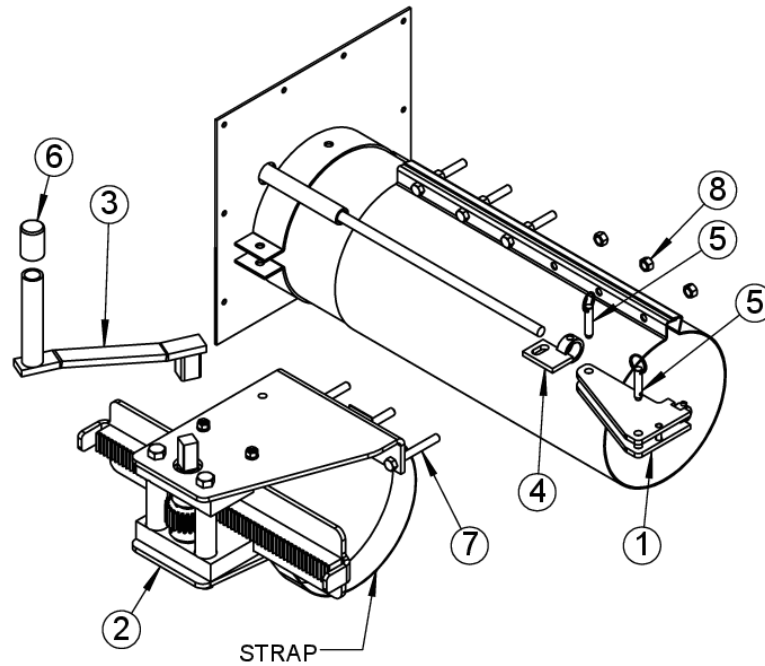


Fig. 40 & Table 14

SWUL0042
09/21/2017 MJW

REF. #	DESCRIPTION	QTY.	8" PART #
	Complete rack & pinion opener assembly	1	E5443
1	Center sump connector	1	E5914
2	Rack & pinion opener assy., 8"	1	E5919
3	Opener handle	1	E5967
4	Intermediate sump connector	1	E5998
5	Quick-release pin, 3/8 x 1"	2	J1554
6	Rubber cap, 1"	1	J2232
7	Screw, 3/8 - 16 x 3"	6	J0660
8	Hex nut, 3/8" - 16	6	J1020

Installation instructions:

1. With sumps fully closed, loosely attach intermediate sump and center sump connectors (4 & 1) to proper pull rod.
2. Bolt rack and pinion opener assembly (2) to sleeve connector using three bolt holes farthest from bin wall.
3. Attach center sump connector (1) to rack & pinion opener using a 3/8 x 1" quick release pin (5).
4. Attach rubber cap (6) to handle (3) and attach handle to opener.
5. Make sure sump gates are completely closed and then attach connectors to one another using a 3/8" x 1" quick-release pin (5).
6. Tighten setscrews in shaft collars.

Open sump gates by rotating handle clockwise. Sump gates should open and close fully.

IMPORTANT: Always open and unload from center sump first. Never open intermediate sumps until grain stops flowing from center sump.

SUMP OPENER FOR 10" SWEEPWAY

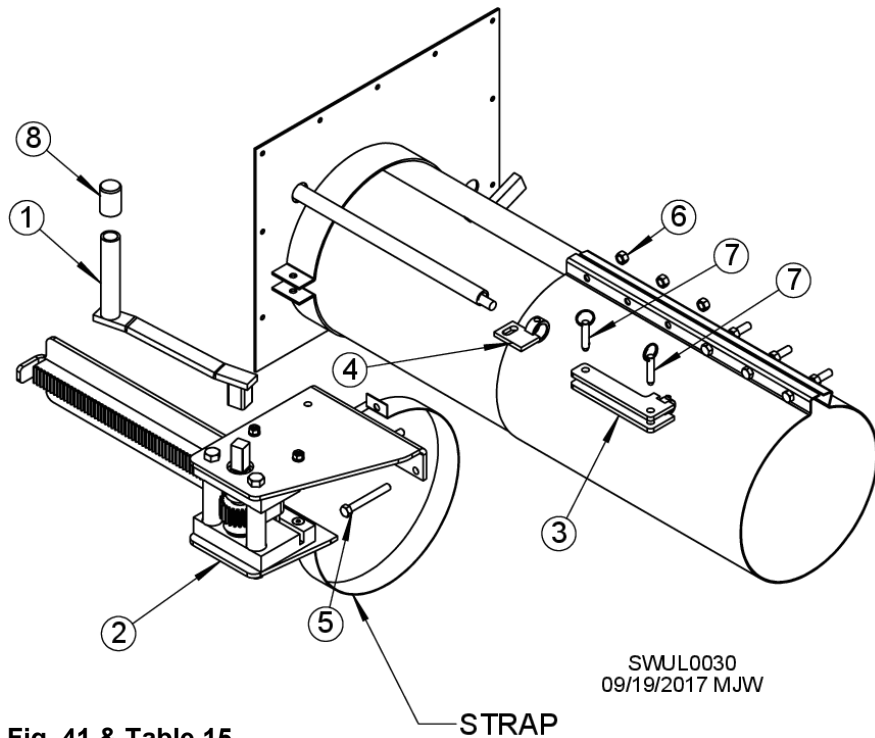


Fig. 41 & Table 15

REF. #	DESCRIPTION	QTY.	10" PART #
	Complete rack & pinion opener assembly	1	E5444
1	Opener handle	1	E5967
2	Rack & pinion opener assembly, 10"	1	E5969
3	Center sump connector	1	E5997
4	Intermediate sump connector	1	E5998
5	Bolt, 3/8 - 16 x 3"	6	J0660
6	Hex nut, 3/8" - 16	6	J1020
7	Quick-release pin, 3/8 x 1"	2	J1554
8	Rubber cap, 1"	1	J2232

Installation instructions:

1. With sumps fully closed, loosely attach intermediate sump and center sump connectors (4 & 3) to proper pull rod.
2. Bolt rack and pinion opener assembly (2) to sleeve connector using three bolt holes closest to bin wall.
3. Attach center sump connector (3) to opener using a 3/8 x 1" quick-release pin (7).
4. Attach rubber cap (8) to handle (1) and attach handle to opener.
5. Make sure sump gates are completely closed and then attach connectors to one another using a 3/8" x 1" quick-release pin (7).
6. Tighten setscrews in shaft collars.

Open sump gates by rotating handle clockwise. Sump gates should open and close fully.

IMPORTANT: Always open and unload from center sump first. Never open intermediate sumps until grain stops flowing from center sump.

OPERATING INSTRUCTIONS

IMPORTANT: This sweep is designed for single-stage sweeping only. Verify that bin is designed for single-stage sweeping.

Standard Sukup grain bins are designed with anchors that allow sweeping of entire diameter of bin in one stage. However, older Sukup bins 72' dia. and larger that do not have two anchors per stiffener should be swept in multiple stages beginning with inner section of floor, and then outer section after sweep extension is added. Additional anchor brackets can be purchased from Sukup Manufacturing Co. and retrofitted to enable single-stage sweeping.

For single-stage sweeping of Sukup bins 54' to 105' in diameter, bin must have 1" Grade 5 anchor bolts (17" deep for "Inverted T" foundation, or deep into stemwall ring rebar zone for "T-Cap"), with a minimum of 7-1/2" from anchor to outside edge of stemwall. Check bin anchor specifications prior to using sweep.

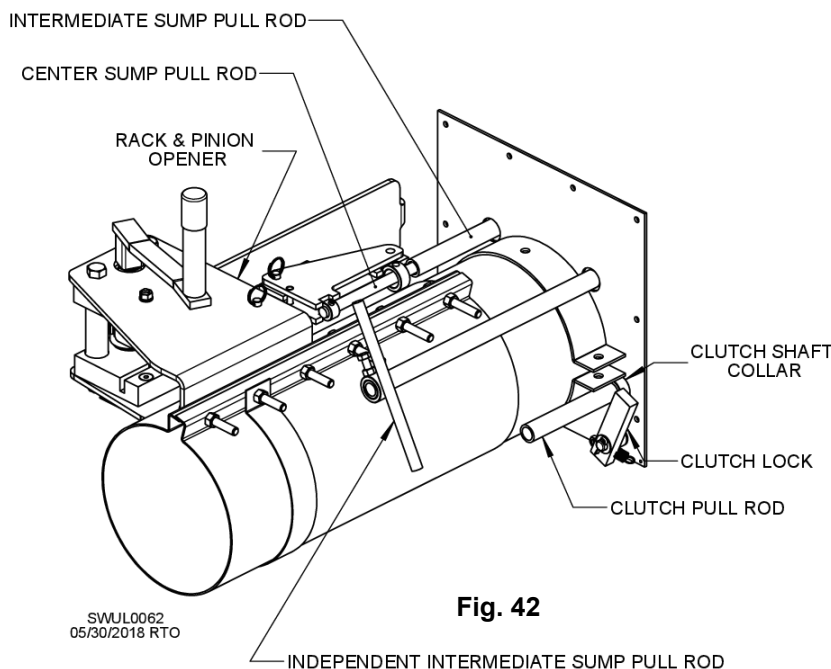
Bins by other manufacturers that are 60' dia. or less may be swept in one stage provided anchors have been inspected and found suitable for single-stage sweeping. (Contact bin manufacturer for further information). For larger bins by others, sweep in multiple stages: Use only inner section of sweep on first pass, making one revolution around bin, then connect outer section and sweep remainder of bin.



DANGER: KEEP AWAY when auger is running. Entanglement with rotating auger will cause death or serious injury.

NOTICE: If bin is equipped with a Cluster Buster, ensure neither rod nor cable is in torsion bar. If bin is equipped with a sidedraw, do not use at same time sumps are being used to unload grain.

1. Start horizontal (and vertical if applicable) unload auger(s). Open center sump. Unload grain from center sump until gravity flow stops.
2. Open intermediate sumps, allowing additional gravity flow into unloading auger. If bin has an independent intermediate sump, open it by pulling rod shown in Fig. 42.



3. When grain flow stops, shut off power to system. Engage sweep auger by pulling clutch rod.
NOTICE: Power must be shut off before engaging sweep auger to prevent damage to clutch assembly.

Operation

4. Turn on power. Center sump slide gate must remain **FULLY** open and sweep stop must be deployed while sweep auger is operating. Remove remaining grain, making sure to reposition stop before each revolution. **NOTICE:** Leave bottom panel of inner bin door closed when running sweep to avoid possible damage to sweep wheel and/or door.



DANGER: When bin is nearly empty, sweep auger will travel at an increasingly fast speed. Keep away from auger to avoid entanglement, which will result in death or serious injury.

5. Close sumps and place sweep just behind intermediate sumps.

NOTE: If a slower flow of grain is desired, (e.g., grinding) a larger driven pulley (12" comes standard) should be used on unload auger. (14" pulley available from Sukup Manufacturing Co.)

TROUBLESHOOTING GUIDE

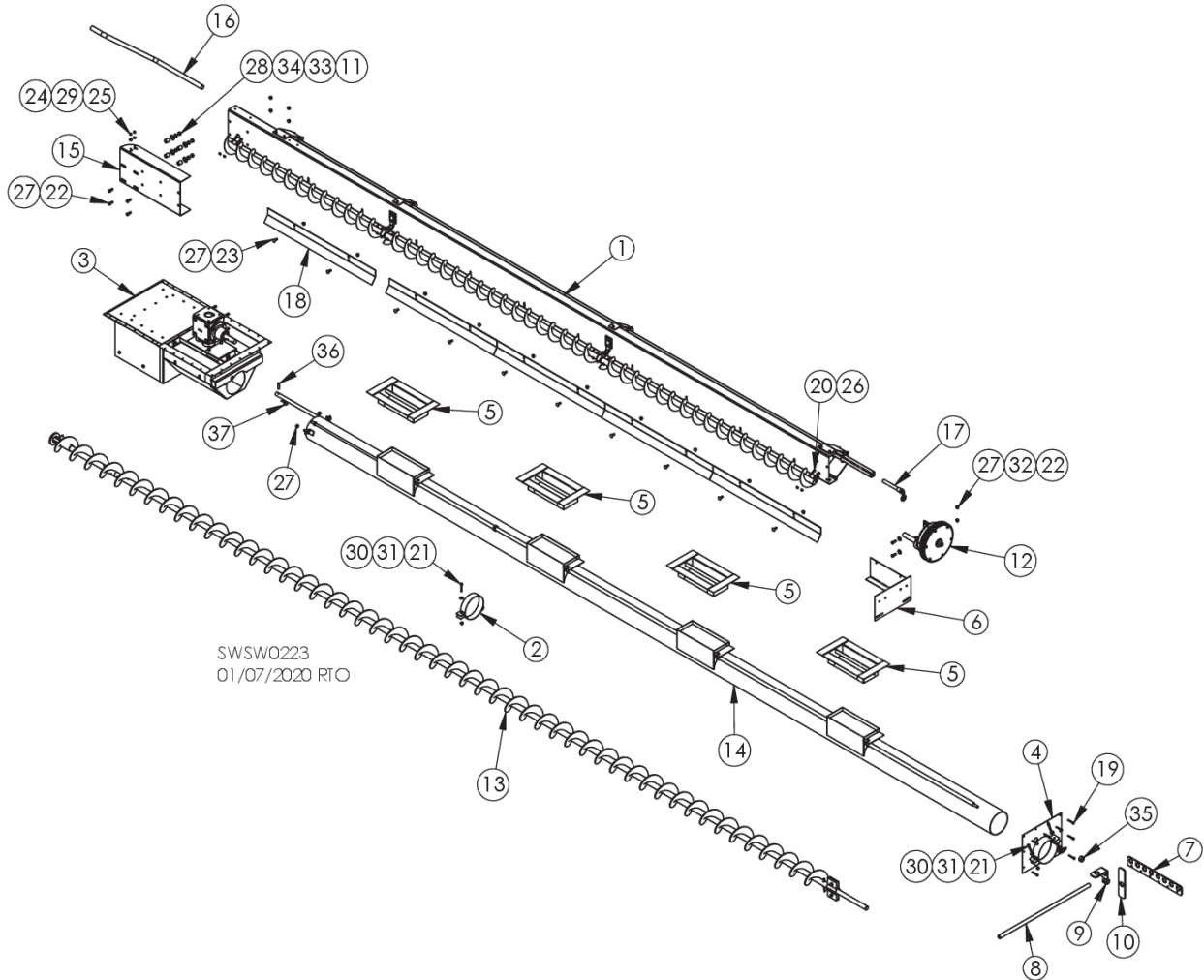
PROBLEM	REASON	SOLUTION
1. Sweep is not moving around bin.	Scraper too close to floor.	Raise scrapers up.
	Bent edge is down by floor.	Turn scraper around so sharp edge is at bottom.
	Obstacles may be hindering forward movement.	Check for any obstacles that scraper could be catching on. May need to raise scraper.
2. Sweep is not filling unload auger to capacity.	Sweep is not going fast enough.	Increase 10" sweep auger capacity 10% by increasing size of lower gearbox 18-tooth sprocket to a 20-tooth sprocket, (Kit E7987). Increase 8" sweep auger capacity 20% by increasing size of lower gearbox 12-tooth sprocket to a 15-tooth sprocket, (Kit E7986).
		Increase 10" sweep auger capacity by increasing size of lower gearbox 18-tooth sprocket to a 24-tooth sprocket, (Part #J16957). May have to lengthen chain with 24-tooth sprocket. It will increase speed by 30%.
3. Drive chain breaking. (8" & 10" Sweepway)	Grain piling in center of bin.	Make sure center sump gate is fully open.
4. When using an incline auger, capacity is cut dramatically.	Moving very small grains or hard flowing grains. Example: rice, wheat, soybeans, etc.	Weld a piece of flighting, (6-8" incline use Part #E5638, 8-10" incline use Part #E5639) onto end of unload auger to get flighting extended fully to U-joint. This will decrease amount of gap grain has to flow through, increasing capacity.
5. Connector link coming off.	Connector link is on backwards.	Connector link clip needs to have closed end leading chain around.

LUBRICATION

Use 140-weight gear oil in gearboxes. Gearboxes should be checked every time bin is empty. Check plugs are on back of gearboxes. Gearboxes should be about half full. Add grease to top bearing through zerk on top of each sump gearbox. On single-motor vertical drive, add oil through fill plug. Grease roller chain in sump every time bin is empty. Factory oil used in gearboxes is Mobil Gear 636, 140-weight.

PARTS/ASSEMBLIES

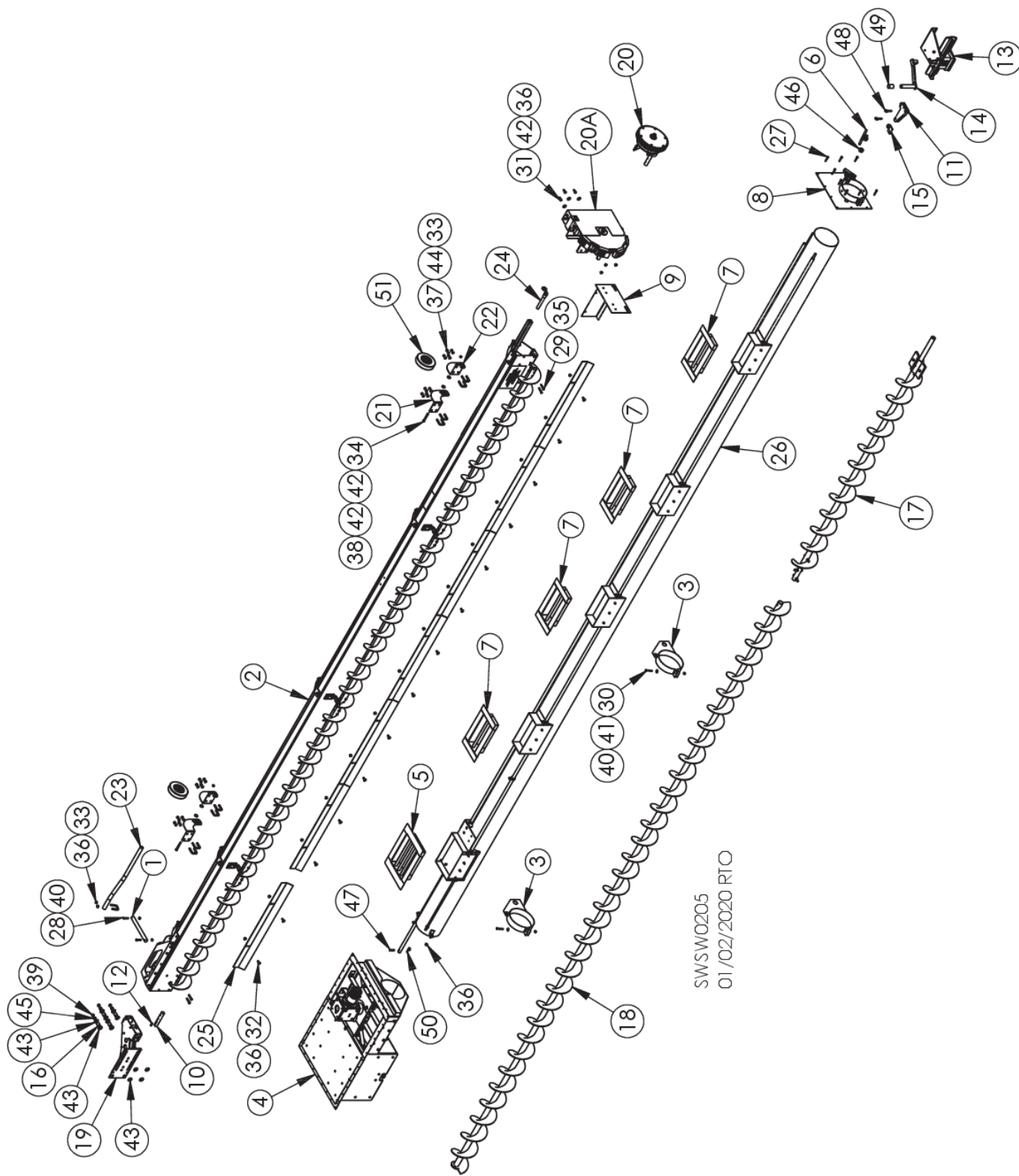
6" SWEEPWAY



REF. #	DESCRIPTION	QTY.	PART #	REF. #	DESCRIPTION	QTY.	PART #
1	Auger/backboard assy.	1	*	20	Screw, 5/16 – 18 x 1-3/4"	4	J0570
2	Clutch rod support clamp	1	E5314	21	Screw, 5/16 – 18 x 2", self-drill	3	J0584
3	Sump & gearbox assy.	1	E5331	22	Screw, 3/8 – 16 x 1"	6	J0606
4	Bin collar w/ clutch lock assy.	1	E5405	23	Carriage bolt, 3/8" x 1"	*	J06064
5	Top half of intermediate sump	*	E5410	24	U-bolt, 1/4" – 20 x 1-1/8"	1	J08107
6	Sweep stop	1	E5514	25	Lock nut, 1/4 – 20	2	J0992
7	Stationary bar	1	E5884	26	Lock nut, 5/16" – 18	4	J1010
8	Lever arm	1	E5885	27	Flange lock nut, 3/8" – 16	*	J1017
9	Intermed. sump opener handle	1	E5888	28	Hex nut, 7/16" – 14	4	J1035
10	Center sump opener handle	1	E5889	29	Flat washer, 1/4"	2	J1105
11	Spacer, 1"	4	E6014	30	Whiz nut, 5/16" - 18	3	J1110
12	Reduction drive wheel, 4:1	1	E6094	31	Flat washer, 5/16"	3	J1111
13	Unload auger	1	*	32	Flat washer, 3/8"	2	J1117
14	Unload tube	1	*	33	Flat washer, 7/16"	4	J1120
15	Backboard extension bracket	1	E6976	34	Split lock washer, 7/16"	4	J1210
16	Cluster Buster tube	1	E7968	35	Shaft collar, 7/8", (2x738)	1	J1330
17	Cluster Buster plug/rod assy.	1	E7985	36	Picker pin, 3/8" x 1-1/2"	1	J1541
18	Scraper, 36"	*	E8430	37	Hairpin clip, .09 x 2	1	J5410
19	Screw, 1/4 – 14 x 1-3/4", self-drill	8	J04981				

*Varies with bin size

8" & 10" SWEEPWAY



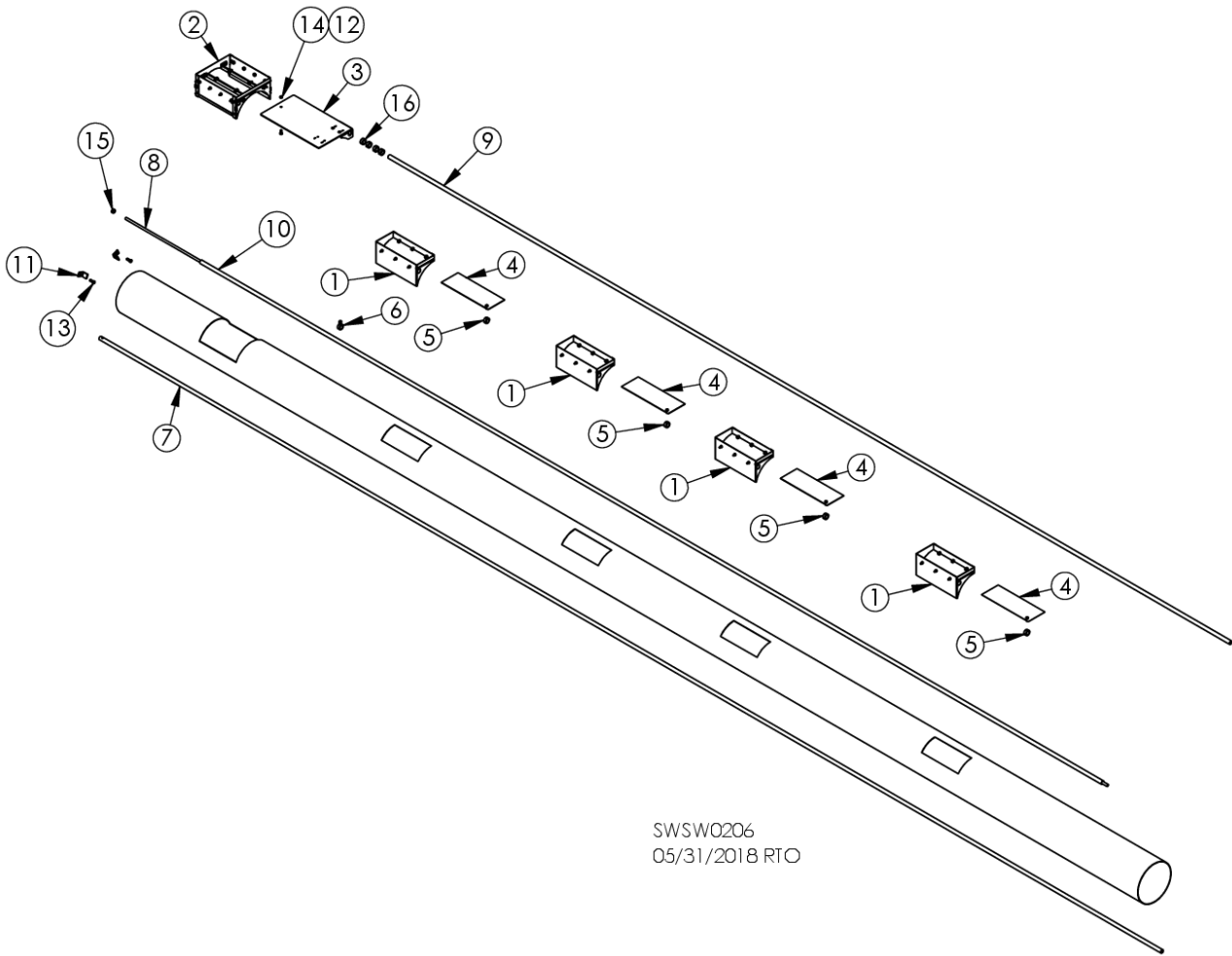
SWSW0205
01/02/2020 RTO

8" & 10" SWEEPWAY

REF. #	DESCRIPTION	QTY.	8" PART #	10" PART #
1	Backboard pivot rod	1	E0107	E0107
2	Auger/backboard assy.	1	*	*
3	Clutch rod support clamp	2	E5364	E53162
4	Sump & gearbox assy.	1	E53878	E53341
5	Independent intermediate sump top	1	E53989	E53964
6	Independent intermediate sump pull rod handle	1	E5404	E5404
7	Intermediate sump top	*	E5410	E5411
8	Bin collar w/ clutch lock assy.	1	E5462	E5362
9	Sweep stop	1	E5514	E5514
10	Drive shaft	1	E59051	EU8210
11	Center sump connector weldment	1	E5914	E5997
12	Key, 1/4" x 1"	1	E5915	E5915
13	Rack & pinion opener assy.	1	E5919	E5969
14	Opener handle	1	E5967	E5967
15	Intermediate sump connector weldment	1	E5998	E5998
16	Spacer	4	E6014	E60143
17	Unload auger, outer	1	*	*
18	Unload auger inner, 8" x 20'	*	E6472	E6497
19	Backboard mount	1	E69772	E69772
20	Reduction drive wheel assy., 4:1	1	E6092	NA
20A	Reduction drive wheel assy., 16:1, green poly	1	E7438	E7430
	Reduction drive wheel assy., 16:1, black rubber	1	E7438P	E7430P
21	Rear carrier wheel bracket, right	2	E7740	E7740
22	Rear carrier wheel bracket, left	2	E7741	E7741
23	Cluster Buster tube	1	E79681	E79681
24	Cluster Buster plug/rod assy.	1	E7985	E7985
25	Scraper, 36"	*	E8430	E8430
26	Unload tube assy.	1	*	*
27	Screw, 1/4 – 14 x 1-3/4", self-drill	8	J04981	J04981
28	Screw, 5/16 – 18 x 1-1/2"	2	J0565	J0565
29	Screw, 5/16 – 18 x 1-3/4"	4	J0570	J0570
30	Screw, 5/16 – 18 x 2", self-drill	4	J0584	J0584
31	Screw, 3/8 – 16 x 1"	3	J0606	J0606
32	Carriage bolt, 3/8" x 1"	*	J06064	J06064
33	U-bolt, 3/8 – 16 x 1-1/4"	*	J0644	J0644
34	Screw, 3/8 - 16 x 3"	*	J0661	J0661
35	Lock nut, 5/16" – 18	4	J1010	J1010
36	Flange lock nut, 3/8" – 16	*	J1017	J1017
37	Hex nut, 3/8" – 16	*	J1020	J1020
38	Lock nut, 3/8" – 16	*	J1025	J1025
39	Hex nut, 7/16" – 14	4	J1035	J1035
40	Whiz nut, 5/16" - 18	6	J1110	J1110
41	Flat washer, 5/16"	4	J1111	J1111
42	Flat washer, 3/8"	7	J1117	J1117
43	Flat washer, 7/16"	12	J1120	J1120
44	Lock washer, 3/8"	*	J1205	J1205
45	Split lock washer, 7/16"	4	J1210	J1210
46	Shaft collar, 7/8", (2x738)	1	J1330	J1330
47	Picker pin, 3/8" x 1-1/2"	1	J1541	J1541
48	Quick release pin, 3/8" x 1"	2	J1554	J1554
49	Rubber cap, 1"	1	J2232	J2232
50	Hairpin clip, .09 x 2"	1	J5410	J5410
51	Rubber wheel, 6", 3/8" ID, w/bushing	*	J7271	J7271

*Varies with bin size

UNLOAD TUBE

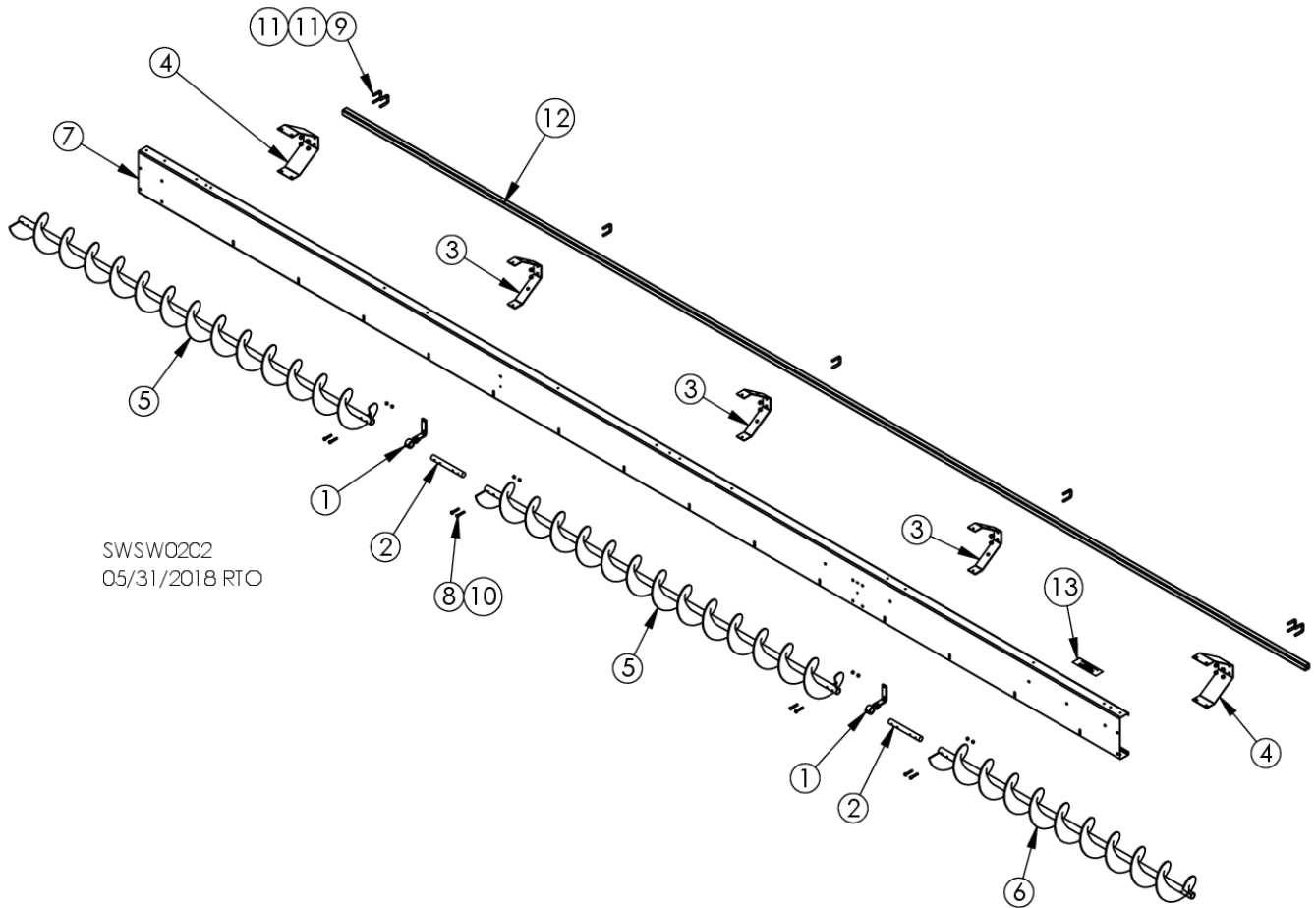


SWSW0206
05/31/2018 RTO

REF. #	DESCRIPTION	QTY.	6" PART #	8" PART #	10" PART #
1	Intermediate sump, w/ rollers	*	E5390	E5398	E5395
2	Independent int. sump, 10", 2018	1	---	E53981	E53951
3	Independent int. sump slide gate assy., 10"	1	---	E53987	E53963
4	Intermediate sump slide gate assy., 6" & 8"	*	E5409	E5409	E5409
5	Shaft collar, 7/8", no set screw	*	E5448	E5448	E5448
6	Shaft collar, 7/8", w/ bolt	1	E5449	E5449	E5449
7	Clutch rod	1	*	*	*
8	Center sump pull rod	1	*	*	*
9	Independent intermediate sump pull rod	1	---	*	*
10	Intermediate sump pull rod	1	*	*	*
11	Tab, 1-1/2" x 1"	2	F4415-01	F4415-01	F4415-01
12	Screw, 5/16 – 18 x 3/4"	*	J0520	J0520	J0520
13	Screw, 3/8 – 16 x 1"	*	J0606	J0606	J0606
14	Lock nut, 5/16" – 18	*	J1010	J1010	J1010
15	Hex nut, 1/2" – 13	*	J1040	J1040	J1040
16	Shaft collar, 7/8"	*	J1330	J1330	J1330

*Varies with bin size

6" BACKBOARD

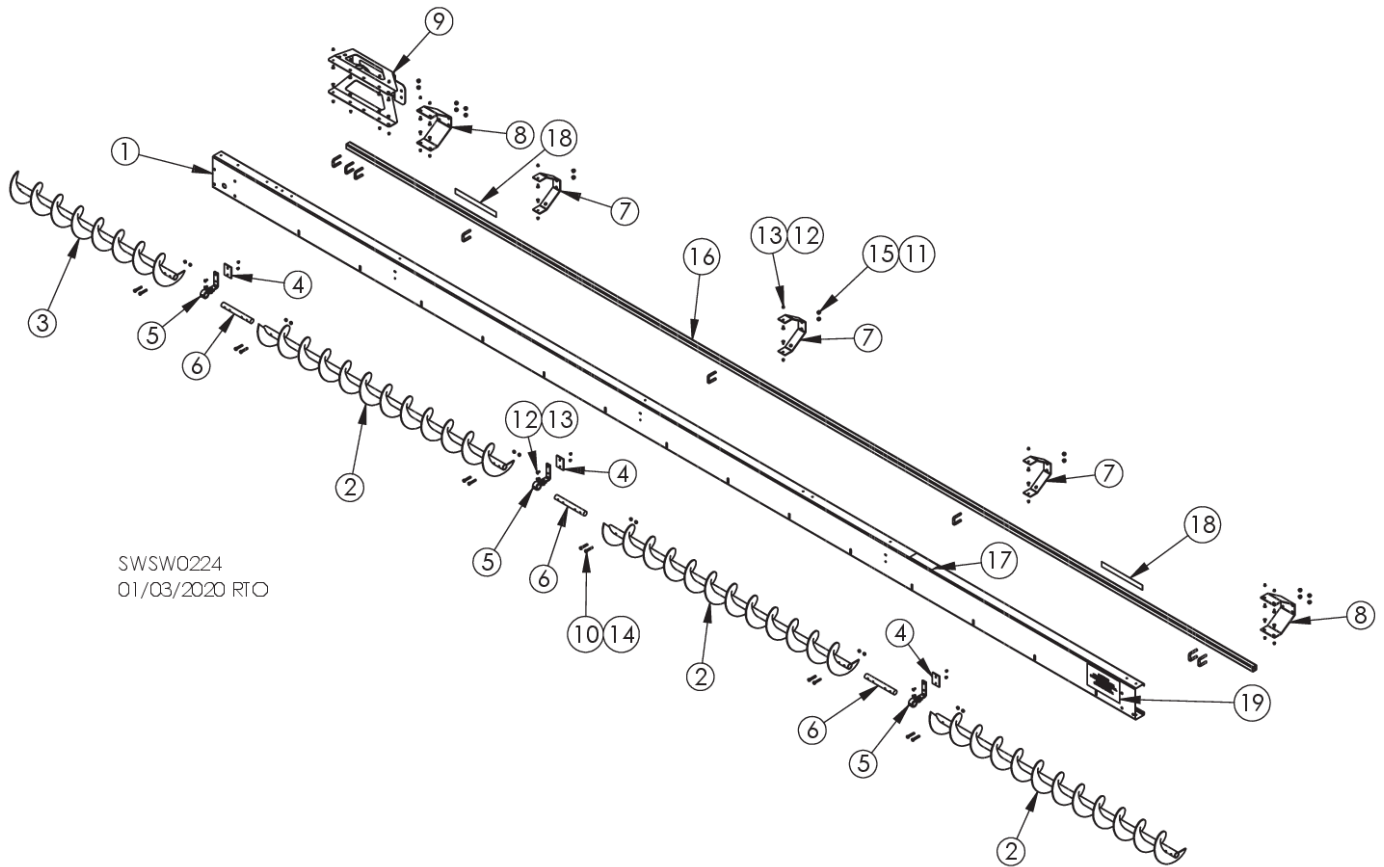


SWSW0202
05/31/2018 RTO

REF. #	DESCRIPTION	QTY.	PART #
1	Auger support bushing assy.	*	E6089
2	Auger connector shaft, 1" OD, 8-1/2" long	*	E6704-03
3	Torsion bar bracket	*	E6791
4	Torsion bar bracket, split	*	E6792
5	Auger	*	*
6	Auger extension	*	*
7	Backboard	1	*
8	Screw, 5/16 - 18 x 1-3/4"	*	J0570
9	Square U-bolt, 3/8" - 16	*	J0644
10	Lock nut, 5/16" - 18	*	J1010
11	Lock nut, 3/8" - 16	*	J1024
12	Square tubing	*	*
13	Decal, Danger, Auger Running	1	L03061

*Varies with bin size

8" BACKBOARD

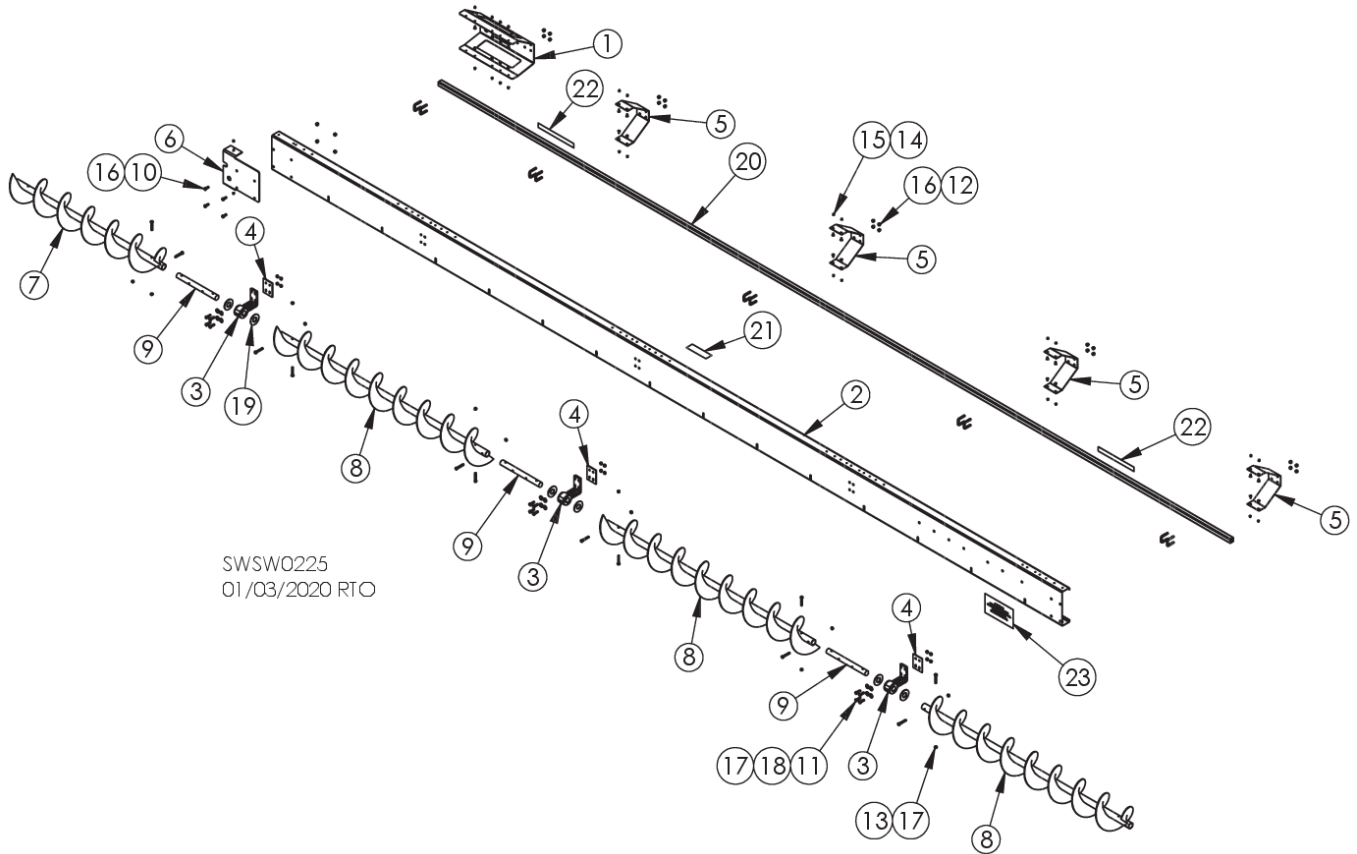


SWSW0224
01/03/2020 RTO

REF. #	DESCRIPTION	QTY.	PART #
1	Backboard	1	*
2	Auger, 70-1/2"	*	E11880
3	Inner auger	*	*
4	Bearing support spacer	*	E60632
5	Auger support bushing assy.	*	E60901
6	Auger connector shaft, 1" OD, 8-1/2" long	*	E6704-03
7	Torsion bar bracket	*	E6791
8	Torsion bar bracket, split	*	E6792
9	Torsion bar pivot bracket	1	E69771
10	Screw, 5/16 - 18 x 1-3/4"	*	J0570
11	Square U-bolt, 3/8" - 16	*	J0644
12	Huckbolt, 1/4" x 5/8"	*	J0892
13	Huckbolt sleeve, 1/4"	*	J0893
14	Lock nut, 5/16" - 18	*	J1010
15	Lock nut, 3/8" - 16	*	J1024
16	Tubing, 1-1/4" sq.	*	*
17	Decal, Danger, Auger Running	1	L03061
18	Decal, Mount Carrier Wheel	*	L0918
19	Decal, Important:3/8" dia. bolts	1	L0919

***Varies with bin size**

10" BACKBOARD

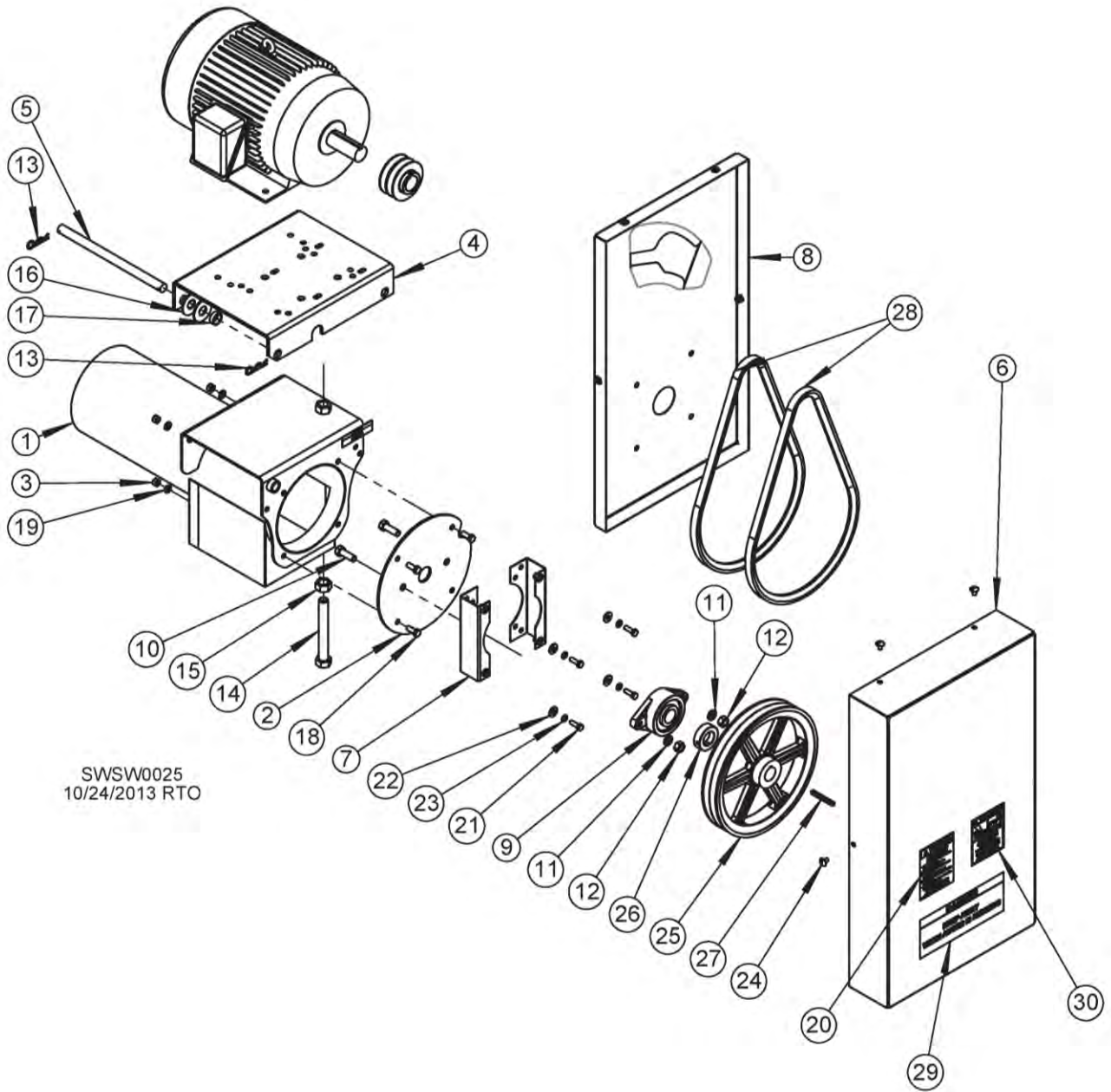


SWSW0225
01/03/2020 RTO

REF. #	DESCRIPTION	QTY.	PART #
1	Torsion bar pivot bracket	1	E0104
2	Backboard	1	*
3	Auger support bushing assy.	*	E60911
4	Bearing support spacer	*	E60914
5	Torsion bar bracket, split	*	E6789
6	Backboard pivot mount	1	EU8200
7	Auger, 49.5'	1	EU8205
8	Auger, 69.5'	*	EU8222
9	Auger connector shaft, 1-1/4" OD, 13" long	*	EU9044
10	Screw, 3/8 - 16 x 1"	4	J0606
11	Bolt, 3/8 - 16 x 1-1/4"	*	J0616
12	Square U-bolt, 3/8" - 16	*	J0644
13	Screw, 3/8 - 16 x 2-1/4"	*	J0652
14	Huckbolt, 1/4" x 5/8"	*	J0892
15	Huckbolt sleeve, 1/4"	*	J0893
16	Lock nut, 3/8" - 16, nylon	*	J1024
17	Lock nut, 3/8" - 16	*	J1025
18	Flat washer, 3/8"	*	J1117
19	Flat washer, 1-1/8"	*	J1157
20	Tubing, 1-1/4" sq.	*	*
21	Decal, Danger, Auger Running	1	L03061
22	Decal, Mount Carrier Wheel	2	L0918
23	Decal, Important:3/8" dia. bolts	1	L0919

*Varies with bin size

HORIZONTAL POWERHEAD MOTOR DRIVE



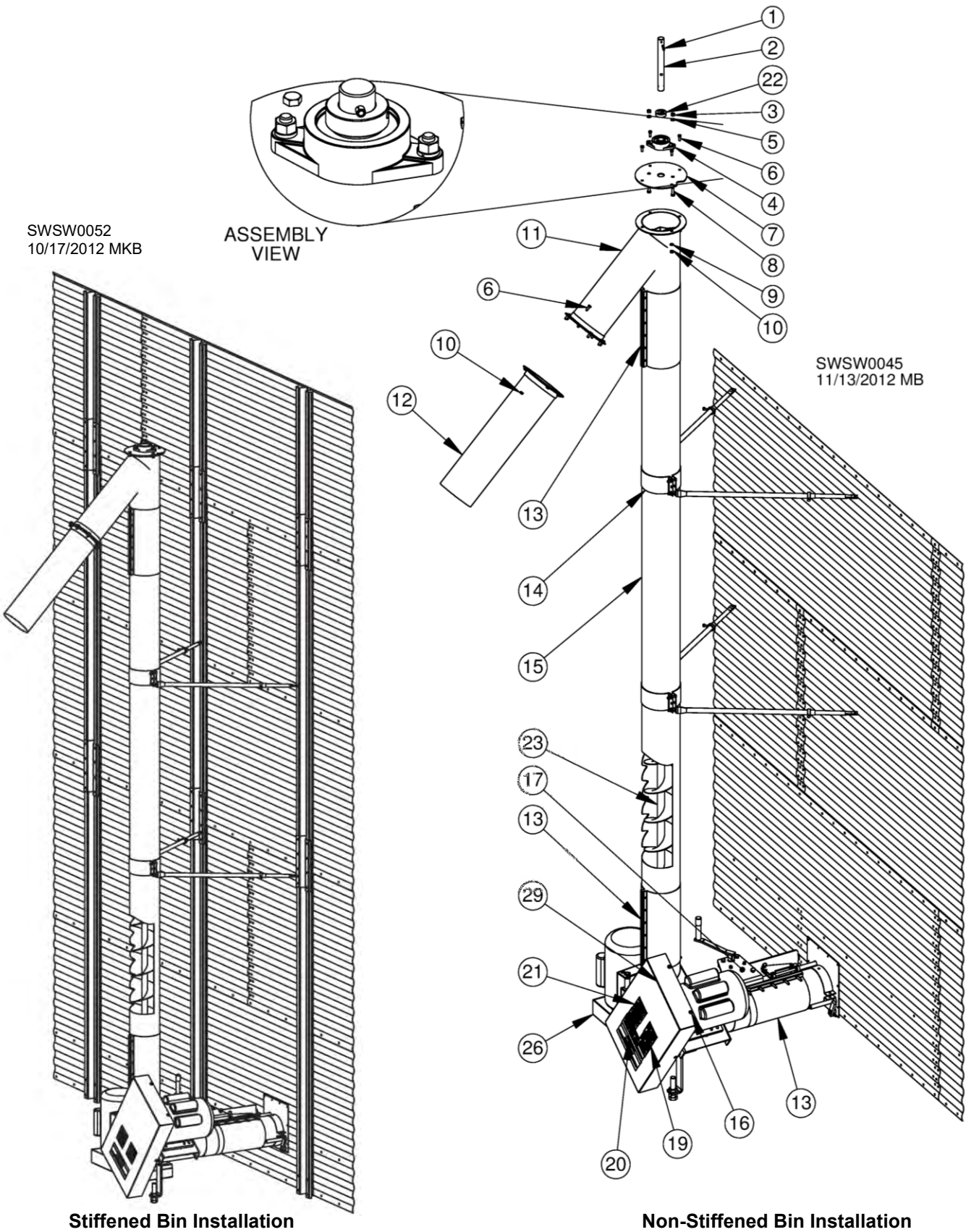
SWSW0025
10/24/2013 RTO

HORIZONTAL POWERHEAD MOTOR DRIVE

REF.#	DESCRIPTION	QTY.	6" PART #	8" PART #	10" PART #
	Powerhead w/ shield & bearing	1	E5600	E5601	E5602
	HPH w/ bearing, shield, lg. motor mount.	1	-----	E56011	E56021
1	STD powerhead housing	1	E5567	E5568	E5569
2	6" bearing plate	1	E5676	-----	-----
	8" bearing plate	1	-----	E5776	-----
	10" bearing plate	1	-----	-----	E5659
3	Nut, 3/8 – 16	8-12	J1020	J1020	J1020
4	Hinged motor mount, small	1	E5746	E5746	E5746
	Hinged motor mount, large	1	-----	E5765	E5765
5	Small pivot rod	1	E5744	E5744	E5744
	Large pivot rod	1	-----	E57441	E57441
6	Outer shield	1	E5973	E5973	E5973
7	Shield bracket	2	E9316	E9316	E5974
8	Inner shield	1	E5972	E5972	E5972
9	1" flange bearing w/ locking collar	1	J0003	-----	-----
	1-1/4" flange bearing w/ locking collar	1	-----	J0010	J0010
	Bearing spacer (Not shown)	1	E5791	E5792	E5792
10	Bearing bolt w/ tab	2	J0710	-----	-----
	Bolt, 1/2 - 13 x 1-1/2"	2	-----	J0730	J0730
11	Split lock washer, 7/16"	2	J1210	-----	-----
	Split lock washer, 1/2"	2	-----	J1215	J1215
12	Nut, 7/16 – 14	2	J1035	-----	-----
	Nut, 1/2" – 13	2	-----	J1040	J1040
13	Hairpin clip, .120 x 2.5	2	J5412	J5412	J5412
14	Tap bolt, 3/4 - 10 x 6"	1	J0824	J0824	J0824
15	Nut, 3/4 – 10	1	J1051	J1051	J1051
16	Machine bushing, 3/4 x 1-1/4", 14ga	1-20	J1260	J1260	J1260
17	Long spacer, 3/8"	1	E5739	E5739	E5739
	Longer spacer, 2-7/16"	1	-----	E5740	E5740
18	Bolt, 3/8 – 16 x 1"	4-6	J0606	J0606	J0606
19	Split lock washer, 3/8"	4-6	J1205	J1205	J1205
20	Decal, Safe Operation	1	L0281	L0281	L0281
21	Bolt, 5/16 – 18 x 1"	8	J0527	J0527	J0527
22	Flat washer, 5/16"	4	J1111	J1111	J1111
23	Split lock washer, 5/16"	8	J1200	J1200	J1200
24	Screw, 3/16 – 18 x 1/2"	4	J0519	J0519	J0519
25	Pulley, 12 x 1", single groove A-B	1	J0375	-----	-----
	Pulley, 12 x 1", DBL groove B	1	J0380	-----	-----
	Pulley, 12 x 1-1/4", DBL groove B	1	-----	J0385	-----
	Pulley, 12 x 1-1/4", triple groove B	1	-----	J0379*	J0379*
	Pulley, 12 x 1-1/4", single groove A-B	1	-----	J0388	-----
26	Locking collar, 1"	1	J0067	-----	-----
	Locking collar, 1-1/4"	1	-----	J0068	J0068
27	Key, 1/4" x 2-1/2"	1	E5720	E5720	E5720
28	Belt, BX48 BX50	1-2	J0220	J0220	J0224
	Belt, B52 "3 drive belt"	3	-----	-----	J0227
29	Decal, Do Not Enter Bin, Avoid Augers	1	L0258A	L0258A	L0258A
30	Decal, Keep Away From Moving Parts	1	L0284	L0284	L0284

*J0379 pulley requires J0410 bushing

BASIC VERTICAL AUGER



BASIC VERTICAL AUGER

REF. #	DESCRIPTION	QTY.	6" PART #	8" PART #	10" PART #
1	Rollpin, 5/16" x 1-3/4"	1	J1495	J1495	J1495
2	Top shaft	1	E58091	E97711	E58243
3	Hex nut, 7/16" -14	2	J1035	-----	-----
	Hex nut, 1/2" – 13	2	-----	J1040	J1040
4	1" flange bearing w/ lock collar	1	J0003	-----	-----
	1-1/4" flange bearing, w/ lock collar	1	-----	J0010	J0010
5	Split lock washer, 7/16"	2	J1210	J1210	-----
	Split lock washer, 1/2"	2	-----	-----	J1215
6	Bolt, 3/8 - 16 x 1"	12	J0606	J0606	-----
	Bolt, 7/16" - 14 x 1"	12	-----	-----	J0695
7	Bearing end plate	1	E5676	E5776	E5659
8	Bolt, 7/16 - 14 x 1.25"	2	J0700	-----	-----
	Bolt, 1/2 - 13 x 1.5"	2	-----	J0730	J0730
9	Split lock washer, 3/8"	2	J1205	J1205	-----
	Split lock washer, 7/16"	2	-----	-----	J1210
10	Hex nut, 3/8" – 16	12	J1020	J1020	-----
	Hex nut, 7/16" – 14	12	-----	-----	J1035
11	Top outlet spout	1	E5812	E5813	E5785
12	2-1/2' truck spout	1	E5814	E5815	E5787
13	Connector sleeve	3	E5423	E5424	E5425
14	30" support bracket (bipod)	2	E5800	E5801	E5786
15	12' galvanized auger tube	1	E5842	E5843	E57842
16	Screw, 5/16 - 18 x 1/2"	8	J0519	J0519	J0519
17	Rack & pinion opener	1	-----	E5919	E5969
18	Hex nut, 5/16" – 18, (Not shown)	2	J1002	J1002	J1002
19	Decal, Keep Away from Moving Parts	1	L0284	L0284	L0284
20	Decal, Do Not Enter Bin, Keep clear of augers	1	L0258A	L0258A	L0258A
21	Decal, Safe Operation	1	L0281	L0281	L0281
22	Locking collar, 1"	1	J0067	-----	-----
	Locking collar, 1-1/4"	1	-----	J0068	J0068
23	16' vertical auger w/ flinger & shafts (See Page 88 for flighting, shafts & tubes)	1	E5846	E5847	E57833
24	Bottom shaft, w/ keyway (Not shown)	1	E58081	E9751	E58252
25	Decal, Shield Missing (Not shown)	1	L0271	L0271	L0271
26	Outer vertical shield	1	E5977	E5977	E5977
27	Inner vertical shield (Not shown)	1	E5976	E5976	E5976
28	Vertical shield bracket (Not shown)	2	E5978	E5978	E5978
29	Outer horizontal shield	1	E5973	E5973	E5973
30	Inner horizontal shield (Not shown)	1	E5972	E5972	E5972
31	Horizontal shield bracket (Not shown)	2	E9316	E9316	E5974
32	Screw, 5/16 – 18 x 1" (Not shown)	6	J0527	J0527	J0527
33	Split lock washer, 5/16" (Not shown)	6	J1200	J1200	J1200
34	Flat washer, 5/16", (Not shown)	6	J1111	J1111	J1111

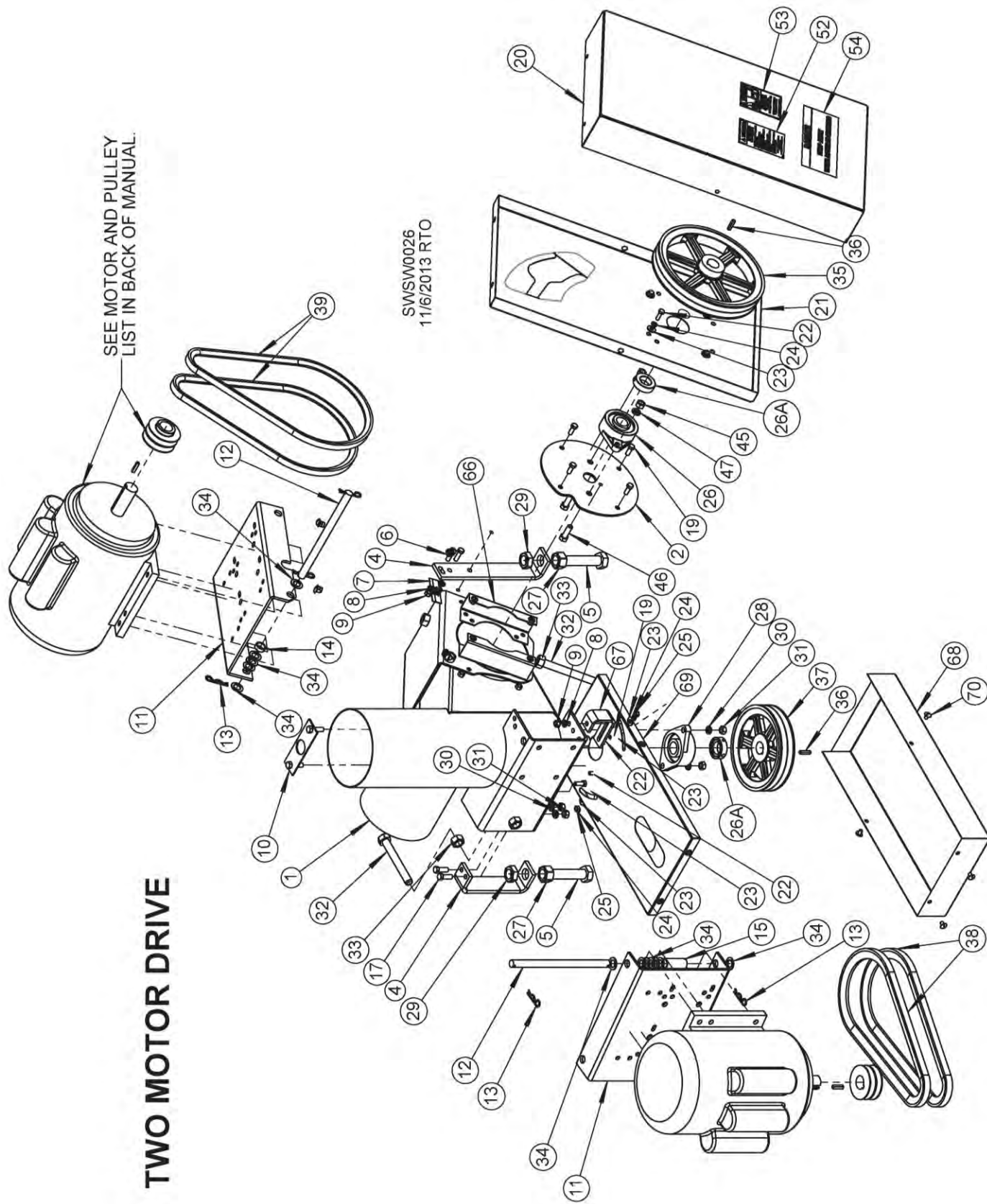


Table applies to two-motor drive and one-motor drive units

VERTICAL BOOT OPTIONS

REF. #	DESCRIPTION	6"	8"	10"
1	Vertical boot drive, 2 motor	E5816	E5817	E5782
2	Vertical boot drive, 1 motor	E5820	E5821	-----
3	Vertical boot housing	E5767	E5768	E5769
4	Bearing plate	E5676	E5776	E5659
5	Sliding door (Not shown)	E5771	E5771	E5771
6	Bolt-on leg bracket (front)	E5869	E5869	E5869
7	Bolt-on leg bracket (front) +6, Euro	E5879	E5879	E5879
8	Bolt-on leg bracket (back)	E5868	E5868	E5868
9	Bolt-on leg bracket (back) +6, Euro	E5878	E5878	E5878
10	Adjustable leveling foot	F4564	F4564	F4564
11	Bolt, 3/8-16 x 1-1/4", PLT, GR5	J0616	J0616	J0616
12	Flat washer, 3/8", PLT	J1117	J1117	J1117
13	Split lock washer, 3/8", PLT	J1205	J1205	J1205
14	Nut, 3/8" - 16, PLT	J1020	J1020	J1020
15	Bearing holder	E5840	E5731	E5731
16	Hinged motor mount plate, small	E5746	E5746	E5746
17	Hinged motor mount, 3-belt drive	-----	-----	E5765
18	Pivot rod, small	E5744	E5744	E5744
19	Pivot rod, 3-belt drive	-----	-----	E5744
20	Hairpin clip	J5412	J5412	J5412
21	Spacer, small, 3/8" long	E5739	E5739	E5739
22	Spacer, large, 2-5/8" long	E5740	E5740	E5740
23	Shield bracket	E5870	E5870	E5870
24	Screw, 7/16 - 14 x 1-1/4", PLT	J0700	J0700	J0700
25	Vertical shield bracket (Not shown)	E5571	E5571	E5571
26	Bolt, 3/8 - 16 x 1", PLT, GR5	J0606	J0606	J0606
27	Outer shield, horizontal	E5973	E5973	E5973
28	Inner shield, horizontal	E5972	E5972	E5972
29	Bolt, 5/16 - 18 x 1", PLT	J0527	J0527	J0527
30	Flat washer, 5/16", PLT	J1111	J1111	J1111
31	Split lock washer, 5/16", PLT	J1200	J1200	J1200
32	Nut, 5/16" - 18, PLT	J1002	J1002	J1002
33	Flange bearing, 1", w/ lock collar	J0003	-----	-----
34	Flange bearing, 1-1/4", w/ lock collar	-----	J0010	J0010
35	Locking collar, 1"	J0067	-----	-----
36	Locking collar, 1-1/4"	-----	J0068	J0068
37	Hex nut, 1" - 8, PLT	J1060	J1060	J1060
38	Flange bearing, 1", w/ LC for 2 bolt	J00031	-----	-----
39	Flange bearing, 1-1/4", w/ LC for 2 bolt	-----	J00102	J00102
40	Jam nut, 1" - 8	J1063	J1063	J1063
41	Split lock washer, 7/16", PLT	J1210	J1210	J1210
42	Nut, 7/16" - 14 PLT	J1035	J1035	J1035
43	Bolt, 3/4 - 10 x 6", PLT, GR5	J0824	J0824	J0824
44	Nut, 3/4 - 10, PLT, GR5	J1051	J1051	J1050
45	Flat washer, 3/4", PLT	J1260	J1260	J1260
46	Pulley, 12" OD x 1", B, single groove	J0375	-----	-----
47	Pulley, 12" OD x 1-1/4", B, double grov.	-----	J0385	J0385
48	Pulley, 12" OD x 1-1/4", B, 3-belt drive	-----	J0385*	J0385*
36	Key, 1/4" x 1-1/4"	E5816	E5817	E5782
37	Key, 1/4" x 2-3/4", 3-belt drive	E5820	E5821	-----
38	Pulley, 9" OD x 1", double groove	E5767	E5768	E5769
39	Pulley, 9" OD x 1-1/4", double groove	E5676	E5776	E5659
40	Belt, BX42	E5771	E5771	E5771
41	Belt, BX46	E5869	E5869	E5869
42	Belt, BX48 - BX50	E5879	E5879	E5879
43	Belt, BX52 - BX54, 3-belt drive	E5868	E5868	E5868
44	Nut, 5/16" - 18	E5878	E5878	E5878
45	Carriage bolt, 5/16 - 18 x 1"	F4564	F4564	F4564
46	Split lock washer, 1/2", PLT	J0616	J0616	J0616
47	Machine bushing, 1/2", 18ga.	J1117	J1117	J1117
48	Nut, 1/2" - 13, PLT	J1205	J1205	J1205
49	Nut, 1/2" - 13, PLT	J1020	J1020	J1020
50	Nut, 7/16" - 14, PLT	E5840	E5731	E5731
51	Bolt, 1/2 - 13 x 1-1/2", PLT, GR5	E5746	E5746	E5746
52	Bolt, 7/16 - 14 x 1-1/2", PLT, GR5	-----	-----	E5765
53	Split lock washer, 1/2", PLT	E5744	E5744	E5744
54	Split lock washer, 7/16", PLT	-----	-----	E5744
55	Bolt, 1/2 - 13 x 2", PLT, GR5	J5412	J5412	J5412
56	Flat washer, 1/2", PLT	E5739	E5739	E5739
57	Flat washer, 1/2", PLT	E5740	E5740	E5740
58	Bolt, 7/16 - 14 x 1" PLT	E5870	E5870	E5870
59	Shield bracket, 11-3/4"	J0700	J0700	J0700
60	Decal, Safe Operation	E5571	E5571	E5571
61	Decal, Keep Away From Moving Parts	J0606	J0606	J0606
62	Decal, Do Not Enter Bin, Avoid Augers	E5973	E5973	E5973
63	Key, 1-1/4 x 2-3/4"	E5972	E5972	E5972
64	Sprocket, 50B15, 1" bore	J0527	J0527	J0527
65	Sprocket, 60B15, 1" bore	J1111	J1111	J1111
66	Sprocket, 60B15, 1-1/4" bore	J1200	J1200	J1200
67	Gearbox	J1002	J1002	J1002
68	Gearbox shield	J0003	-----	-----
69	Chain, #50, 71 links	-----	J0010	J0010
70	Chain, #60, 55 links	-----	-----	-----
71	Chain, #60, 61 links	J0067	-----	-----
72	Chain, #60, 61 links	-----	J0068	J0068
73	Chain, #50, 43 links	J1060	J1060	J1060
74	Idler bracket - (Single motor)	J00031	-----	-----
75	Sprocket, 50B15, 1-1/4" bore	-----	J00102	J00102
76	Sprocket, 50B15, 1" bore	J1063	J1063	J1063
77	Large shield, horizontal	J1210	J1210	J1210
78	Sprocket idler, 50-13	J1035	J1035	J1035
79	Sprocket idler, 60-13	J0824	J0824	J0824
80	Idler bracket	J1051	J1051	J1050
81	Shield bracket, horizontal drive	J1260	J1260	J1260
82	Shield bracket, vertical drive	-----	-----	-----
83	Outer shield, vertical	-----	J0385	J0385
84	Inner shield, vertical	-----	J0385*	J0385*
85	Screw, 5/16 - 18 x 1/2", PLT	-----	J03865*	J03865*

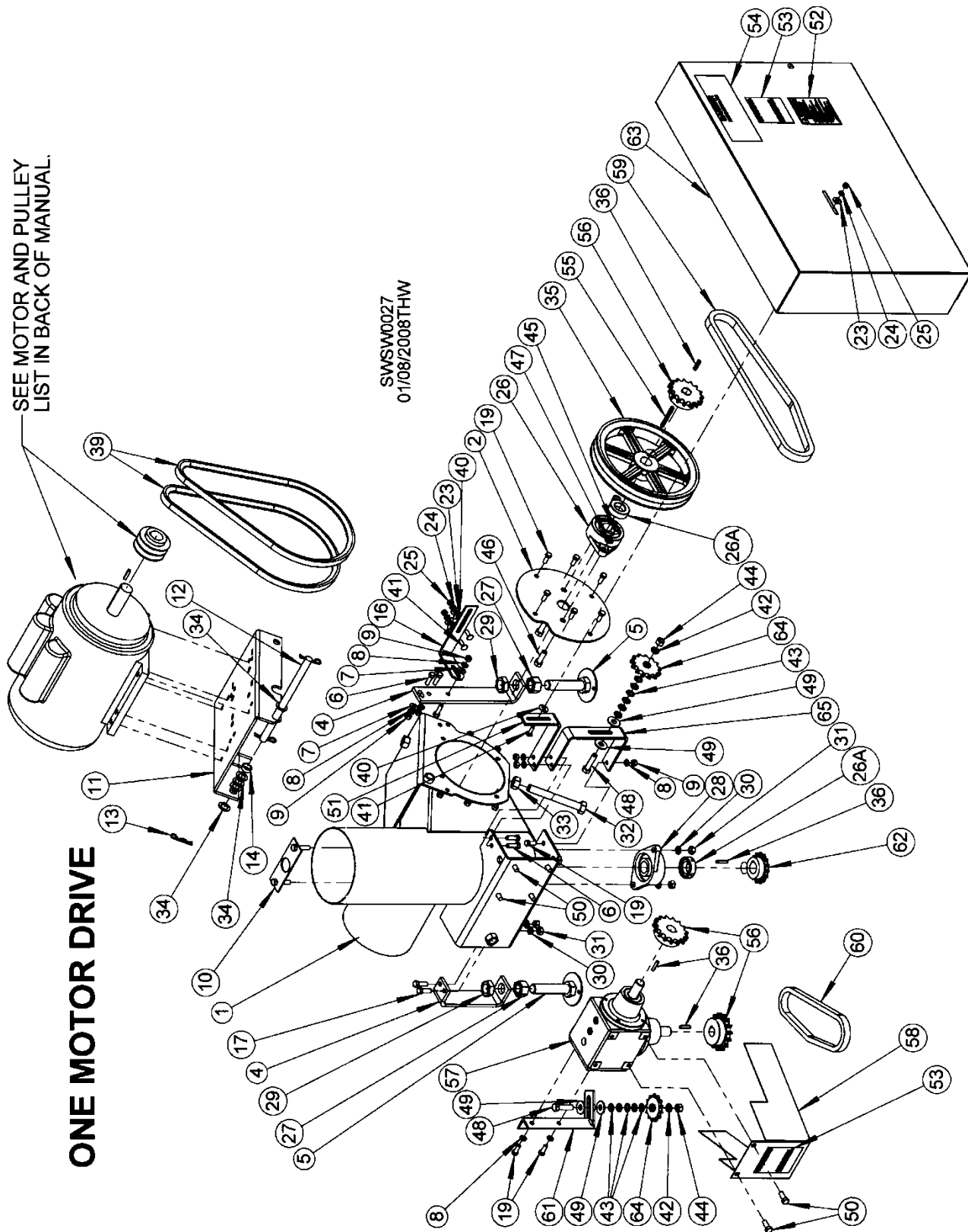
*Use J0410 bushing with J03865 pulley

01/10/2020

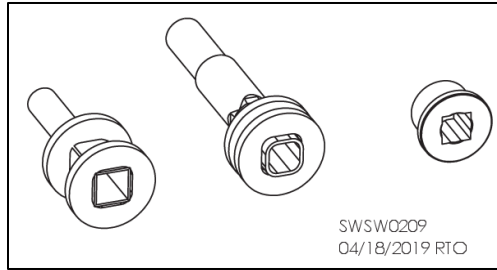
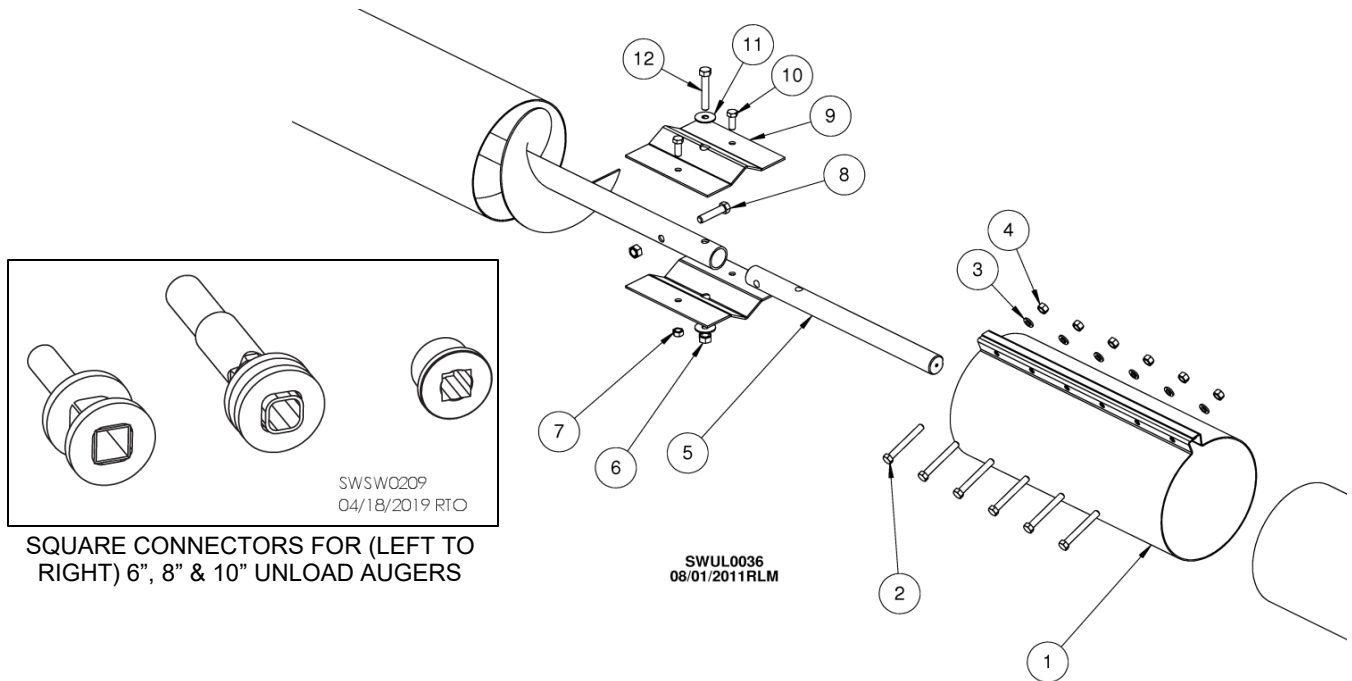
SEE MOTOR AND PULLEY LIST IN BACK OF MANUAL.

ONE MOTOR DRIVE

SWSW0027
01/08/2008THW



CONNECTOR SLEEVE & UNLOAD AUGER

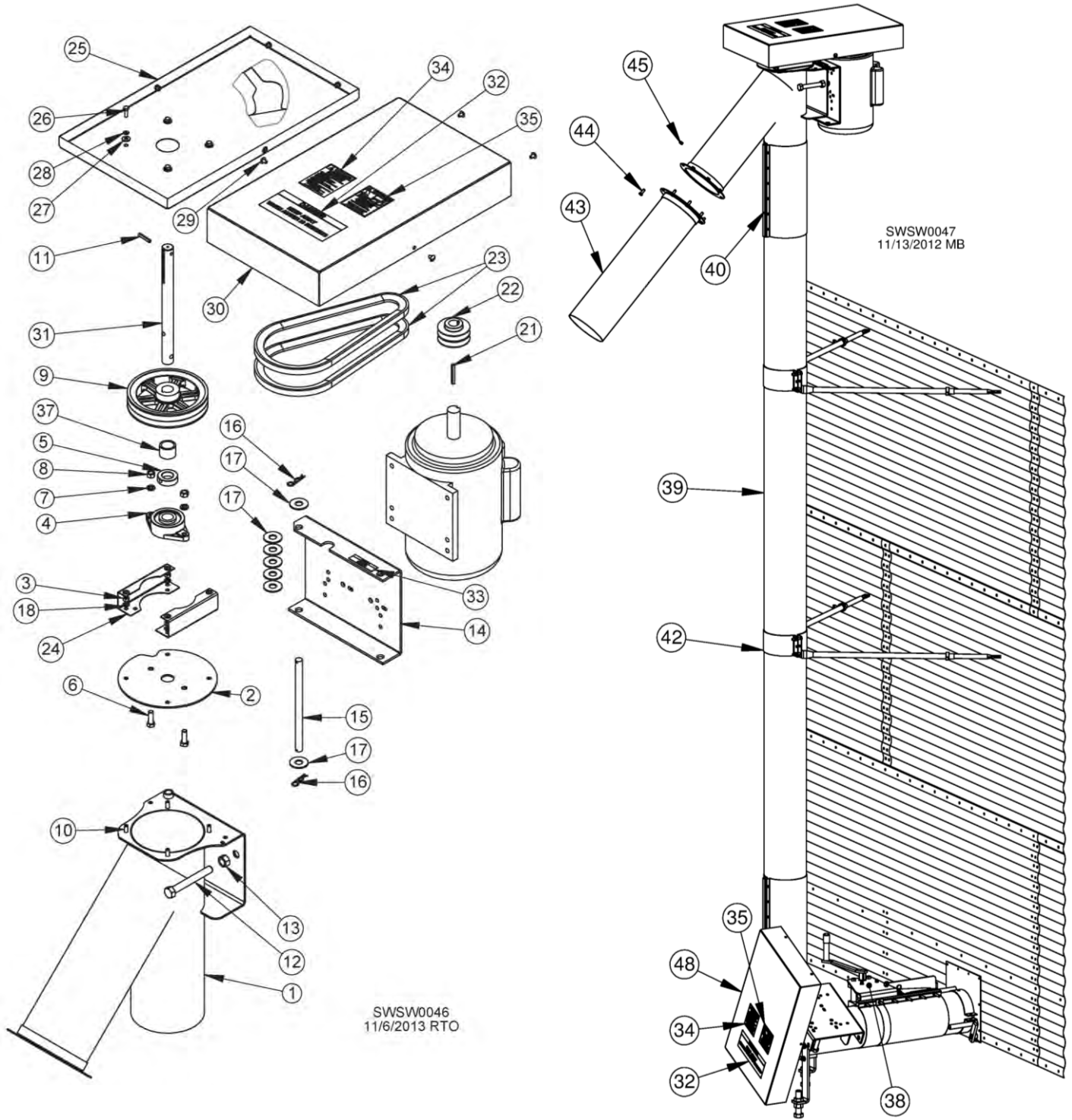


SQUARE CONNECTORS FOR (LEFT TO RIGHT) 6", 8" & 10" UNLOAD AUGERS

REF. #	DESCRIPTION	QTY.	6" PART #	8" PART #	10" PART #
1	Connector sleeve, 6 x 18"	1	E5423	--	--
	Connector sleeve, 8 x 18"	1	--	E5424	--
	Connector sleeve, 10 x 18"	1	--	--	E5425
2	Screw, 3/8 - 16 x 3"	6	J0660	J0660	J0660
3	Lock washer, 3/8"	6	J1205	J1205	J1205
4	Hex nut, 3/8 - 16	6	J1020	J1020	J1020
5	Shaft, 1" x 15-1/4", w/ key	1	E90061	--	--
	Shaft, 1-1/4 x 15-3/4", w/ key	1	--	E54151	--
	Shaft, 2 x 18", w/ key	1	--	--	E54142
6	Lock nut, 5/16" - 18	2	J1010	--	--
	Lock nut, 7/16" - 14	2	--	J1034	--
	Lock nut, 1/2" - 13	2	--	--	J1042
7	Lock nut, 3/8" - 16	2	J1025	J1025	J1025
8	Screw, 5/16 - 18 x 1-3/4"	1	J0570	--	--
	Screw, 7/16 - 14 x 2"	1	--	J0718	--
	Screw, 1/2 - 13 x 3"	1	--	--	J0750
9	Flinger, 3 x 5-3/8, 6"	2	E5416	--	--
	Flinger, 5 x 6-1/2, 8"	2	--	E54161	--
	Flinger, 7 x 7-1/2, 10"	2	--	--	E5689
10	Screw, 3/8 - 16 x 1"	2	J0606	--	--
	Screw, 3/8 - 16 x 1"	2	--	J0606	--
	Screw, 3/8 - 16 x 1-3/4"	2	--	--	J0645
11	Flat washer, 3/8"	2	--	J1117	--
12	Screw, 5/16 - 18 x 2"	1	J0585	--	--
	Screw, 7/16 - 14 x 2-1/2"	1	--	J0720	--
	Screw, 1/2 - 13 x 3-1/2"	1	--	--	J0754

Shaft (not shown) for connecting inner & outer auger sections: 6" - E5416 -; 8" - E54151 10" - F48412
 Inset shows square connectors for attaching inside auger to sump: 6" - E56261; 8" - E6401; 10" - E5417

TOP DRIVE

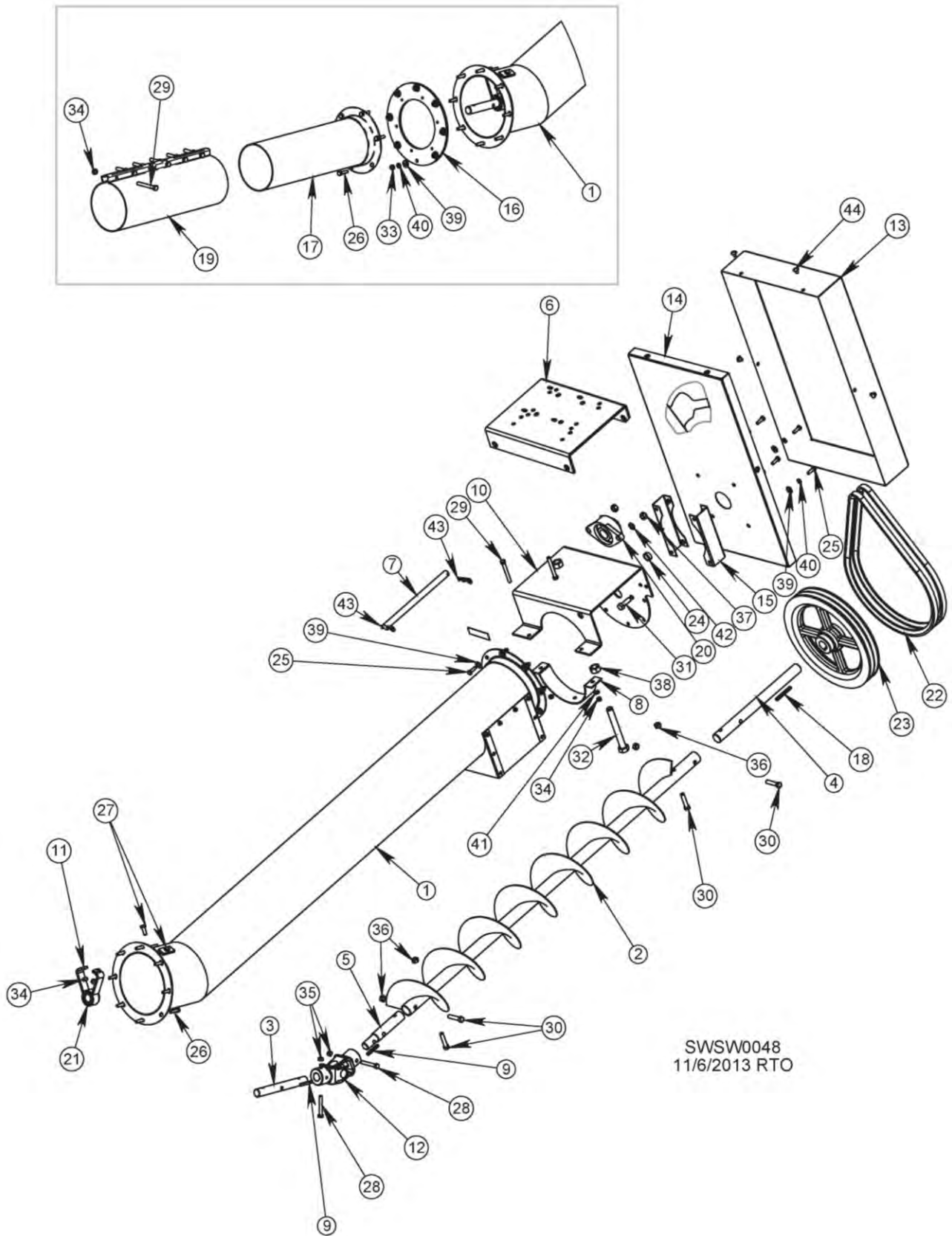


Parts/Assemblies
TOP DRIVE

REF. #	DESCRIPTION	QTY.	6" PART #	8" PART #	10" PART #
1	Top power housing spout	1	E5929	E5933	E57851
2	Bearing plate	1	E5676	E5776	E5659
3	Hex nut, 3/8" – 16	4	J1020	J1020	----
	Hex nut, 7/16" – 14	4	----	----	J1035
4	Flange bearing	2	J0003	J0010	J0010
5	Locking collar	3	J0067	J0068	J0068
6	Bolt, 7/16 - 14 x 1-1/4"	2	J0710	----	----
	Bolt, 1/2 - 13 x 1-1/2"	2	----	J0730	J0730
7	Split lock washer, 7/16"	2	J1210	----	----
	Split lock washer, 1/2"	2	----	J1215	J1215
8	Hex nut, 7/16" – 14	2	J1035	----	----
	Hex nut, 1/2" – 13	2	----	J1040	J1040
9	Pulley, 9" OD 2 groove	1	J0365	J0366	J0366
10	Bolt, 3/8 - 16 x 1"	4	J0606	J0606	----
	Bolt, 7/16 - 14 x 1"	4	----	----	J0695
11	Rollpin, 5/16 x 1-3/4"	1	J1495	J1495	J1495
12	Bolt, 3/4 - 10 x 6"	1	J0824	J0824	J0824
13	Hex nut, 3/4" – 10	1	J1051	J1051	J1051
14	Hinged motor mount, small	1	E5746	E5746	E5746
15	Pivot rod, small	1	E5744	E5744	E5744
16	Hairpin clip, .120 x 2.5	1	J5412	J5412	J5412
17	Machine bushing, 3/4"	*	J1260	J1260	J1260
18	Split lock washer, 3/8"	4	J1205	J1205	----
	Split lock washer, 7/16"	4	----	----	J1210
19	Split lock washer, 3/8"	4	J1205	J1205	J1205
20	Hex nut, 3/8" – 16	5	J1020	J1020	J1020
21	Square key, 1/4" sq.	1	E5720	E5720	E5721
22	Pulley, 3/2 P.D., 1-1/8 DBL, cast	1	J0317	J0317	J0317
23	Belt, BX42 (6 & 8") - BX46 (10")	2	J0200	J0200	J0215
24	Vertical shield bracket	2	E9316	E9316	E5974
25	Inner vertical shield	1	E5972	E5972	E5972
26	Bolt, 5/16 - 18 x 1"	8	J0527	J0527	J0527
27	Flat washer, 5/16"	8	J1111	J1111	J1111
28	Split lock washer, 5/16"	4	J1200	J1200	J1200
29	Screw, 5/16 – 18 x 1/2"	8	J0519	J0519	J0519
30	Outer vertical shield	1	E5973	E5973	E5973
31	Top power shaft	1	E58092	E54153	E58244
32	Decal, Do Not Enter Bin, Keep Clear of Augers	1	L0258A	L0258A	L0258A
33	Decal, Danger, Replace Missing Shield	2	L0271	L0271	L0271
34	Decal, Safe Operation	2	L0281	L0281	L0281
35	Decal, Keep Away From Moving Parts	2	L0284	L0284	L0284
36	Decal, Sukup logo (Not shown)	1	L0317	L0317	L0317
37	Top drive spacer	1	M3239	E57415	E57415
38	Rack & pinion opener	1	----	E5919	E5969
39	Auger tube for 16' vertical	1	E5842	E5843	E57842
40	Connector sleeve	3	E5423	E5424	E5425
41	16' vert. auger w/ flinger & shafts (Not shown)	1	F4750	E58471	E57836
42	Support bracket, 30" (bipod)	1	E5800	E5801	E5786
43	Truck spout, 2-1/2'	1	E5814	E5815	E5787
44	Bolt, 3/8 - 16 x 1"	6-8	J0606	J0606	J0606
45	Hex nut, 3/8" - 16	6-8	J1020	J1020	J1020
46	Horizontal shield bracket (Not shown)	2	E9316	E9316	E5974
47	Inner horizontal shield (Not shown)	1	E5972	E5972	E5972
48	Outer horizontal shield	1	E5973	E5973	E5973
49	Bottom shaft (Not shown)	1	F48101	G73291	F48342

*QTY. depends on size

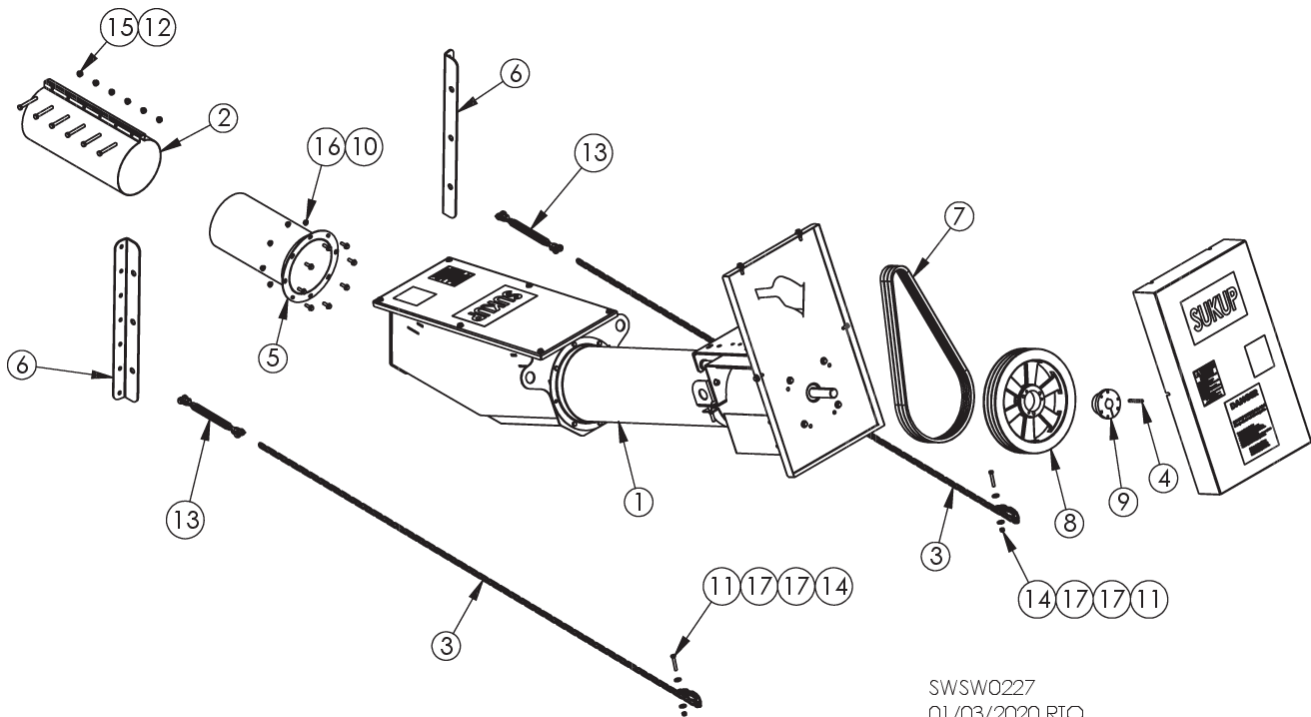
25° INCLINE AUGER FOR 6" UNLOAD



25° INCLINE AUGER FOR 6" UNLOAD

REF. #	DESCRIPTION	QTY.	6" PART #
1	5' basic incline	1	E5950
2	Flighting & auger tube	1	E5622
3	Incline shaft	1	E56421
4	Shaft	1	E54151
5	Shaft, auger to knuckle	1	E56411
6	Hinged motor mount	1	E5746
7	Small pivot rod	1	E5744
8	10" clamp band, narrow	1	E97161
9	Key, 1/4"	2	F4499
10	Tube mount	1	E5958
11	Bushing support	1	E5956
12	Knuckle	1	E5980
13	Outer shield	1	E5973
14	Inner shield	1	E5972
15	Shield bracket	2	E9316
16	Adapter plate	1	E5953
17	Adapter sleeve mount	1	E5954
18	Key, 1/4" x 2-3/4"	1	E5721
19	Connector sleeve	1	E5423
20	Flange bearing w/ locking collar, 1-1/4"	1	J0010
21	Bushing, 1" x 1-1/4" x 1-1/4"	1	J00811
22	Belt, BX54	2	J0227
23	Pulley, 14 x 1-1/4", double "B" groove	1	J03951
24	Spacer, 3/8"	1	E5739
25	Bolt, 5/16 - 18 x 1"	10	J0527
26	Bolt, 5/16 - 18 x 1-1/4"	16	J0550
27	Bolt, 3/8 - 16 x 1"	2	J0606
28	Screw, 3/8 - 16 x 2-1/2"	2	J0655
29	Bolt, 3/8 - 16 x 3"	6	J0660
30	Bolt, 7/16 - 14 x 2"	4	J0718
	Bolt, 1/2 - 13 x 3"	4	---
31	Bolt, 1/2 - 13 x 1-1/2"	2	J0730
32	Bolt, 3/4 - 10 x 6"	1	J0824
33	Hex nut, 5/16" - 18	20	J1002
34	Hex nut, 3/8" - 16	8	J1020
35	Lock nut, 3/8" - 16	4	J1025
36	Lock nut, 7/16" - 14	4	J1034
	Lock nut, 1/2" - 13	4	---
37	Nut, 1/2" - 13	2	J1040
38	Nut, 3/4" - 10,	1	J1051
39	Flat washer, 5/16"	12	J1111
40	Split lock washer, 5/16"	12	J1200
41	Split lock washer, 3/8"	2	J1205
42	Split lock washer, 1/2"	2	J1215
43	Hairpin clip, .120 x 2.5	2	J5412
44	Screw, 5/16 - 18 x 1/2"	4	J0519

INCLINE AUGER FOR 8" & 10" UNLOAD
 8" Unload uses 25°, 8-10" Incline (E5030 – 2-belt; E5031 – 3-belt)
 10" Unload uses 20°, 10-12" incline (E5020 – 3-belt)



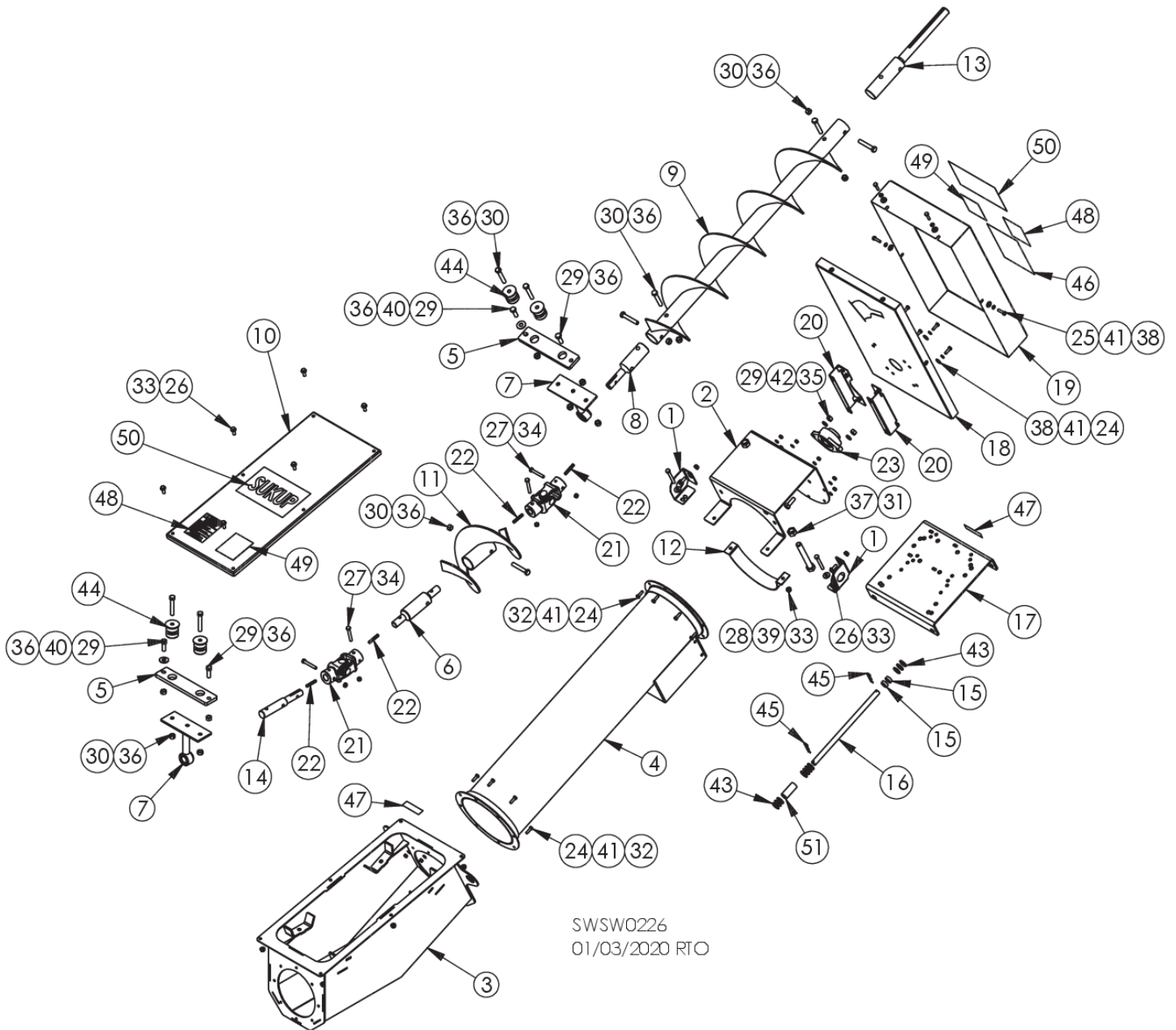
SWSW0227
 01/03/2020 RTO

REF. #	DESCRIPTION	QTY.	8-10" PART #	10-12" PART #
1	Incline, 25°, 2-belt	1	E5042	---
	Incline, 25°, 3-belt		E5032	---
	Incline, 20°, 3-belt		---	E5010
2	Connector sleeve	1	E5424	E5425
3	Chain, 12'	2	E5579	E5579
4	Key, 1/4" sq. x 2-3/4"	1	E5721	---
	Key, 1/2" sq. x 2"		---	D1682
5	Adapter sleeve	1	E59442	E59443
6	Support bracket	2	EU0155	EU0155
7	Belt, BX54	2	J0222	---
	Belt, BX56		J0238	---
	Belt, BX63		---	J0239
8	Pulley, 14", 2-belt	1	J03951	---
	Pulley, 13.6", 3-belt		J0389	---
	Pulley, 15.4", 3-belt		---	J0396
9	Bushing, 1-1/4" bore, 3-belt	1	J0410	---
	Bushing, 2" bore, 3-belt		---	J04310
10	Screw, 5/16 – 18 x 1"	8	J0537	---
	Screw, 3/8 – 16 x 1"		---	J0606
11	Screw, 5/16 - 18 x 2"	2	J0585	J0585
12	Screw, 3/8 - 16 x 3"	6	J0660	J0660
13	Turnbuckle, 38" - 16	2	J0875	J0875
14	Lock nut, 5/16"	2	J1003	J1003
15	Flange lock nut, 3/8" – 16	6*	J1017	J1017
16	Whiz nut, 5/16" - 18	8	J1110	---
17	Flat washer, 5/16"	4	J1111	J1111

*QTY. 14 for 10-12"

See following pages for parts breakdowns.

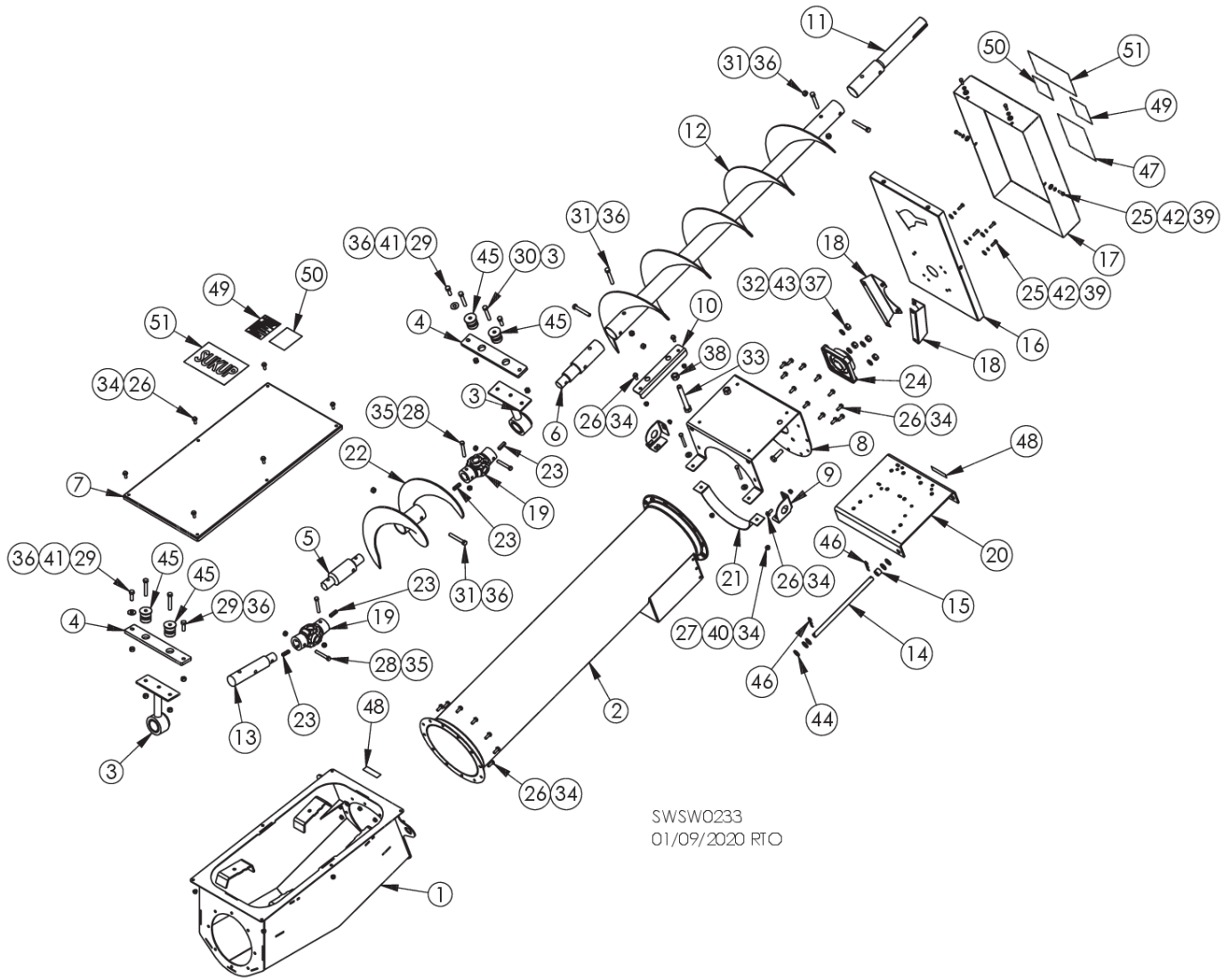
**25° INCLINE AUGER FOR 8" UNLOAD
(E5032 - 3-belt)**



**25° INCLINE AUGER FOR 8" UNLOAD
(E5032 – 3-belt)**

REF. #	DESCRIPTION	QTY.	PART #
1	Brace	2	E5023
2	Plate	1	E5025
3	Transition	1	E5033
4	Tube	1	E5034
5	Bearing support	2	E5035
6	Intermediate shaft	1	E5036
7	Bearing assy.	2	E5037
8	Auger shaft	1	E5038
9	Auger, 45-1/2"	1	E5039
10	Transition cover	1	E5040
11	Auger, 9" OD, 5"	1	E5041
12	Tube clamp, 2 x 17"	1	E5407-02
13	Shaft, 18"	1	E54142
14	Shaft, 8-1/2", w/ key	1	E5624
15	Spacer, 3/8"	2	E5739
16	Pivot rod	1	E57441
17	Motor, mount	1	E5765
18	Shield, inner	1	E5972
19	Shield, outer	1	E5973
20	Shield bracket	2	E5974
21	Knuckle	2	E5980
22	Key, 1/4" sq. x 2	4	F4499
23	Flange brng., 1-1/4", w lock collar	1	J0010
24	Screw, 5/16 – 18 x 1"	18	J0527
25	Screw, 5/16 – 18 x 1-1/4"	4	J0550
26	Screw, 3/8 – 16 x 1"	8	J0611
27	Screw, 3/8 – 16 x 2-1/2"	4	J0655
28	Screw, 3/8 - 16 x 3"	2	J0660
29	Screw, 1/2 – 13 x 1-1/2"	6	J0730
30	Screw, 1/2 – 13 x 3"	9	J0750
31	Screw, 3/4 - 10 x 6"	1	J0824
32	Nut, 5/16" – 18	14	J1002
33	Flange lock nut, 3/8" - 16	10	J1017
34	Lock nut, 3/8" – 16	4	J1025
35	Nut, 1/2" – 13	2	J1040
36	Lock nut, 1/2" – 13	13	J1042
37	Nut, 3/4" – 10	1	J1051
38	Flat washer, 5/16"	8	J1111
39	Flat washer, 3/8"	2	J1117
40	Flat washer, 1/2"	2	J1125
41	Split lock washer, 5/16"	22	J1200
42	Lock washer, 1/2"	2	J1215
43	Machine bushing, 3/4 x 1-1/4", 14ga	10	J1260
44	Bushing, rubber, 1/2" ID	4	J5021
45	Hairpin clip, .120 x 2.5	2	J5412
46	Decal, Do Not Enter Bin, Keep Clear of Augers	1	L0258A
47	Decal, Danger, Replace Missing Shield	2	L0271
48	Decal, Safe Operation	2	L0281
49	Decal, Keep Away From Moving Parts	2	L0284
50	Sukup logo	2	L03161
51	Hinge spacer, 2.438"	1	E5740

**20° INCLINE AUGER FOR 10" UNLOAD
(E5010 – 3-belt)**

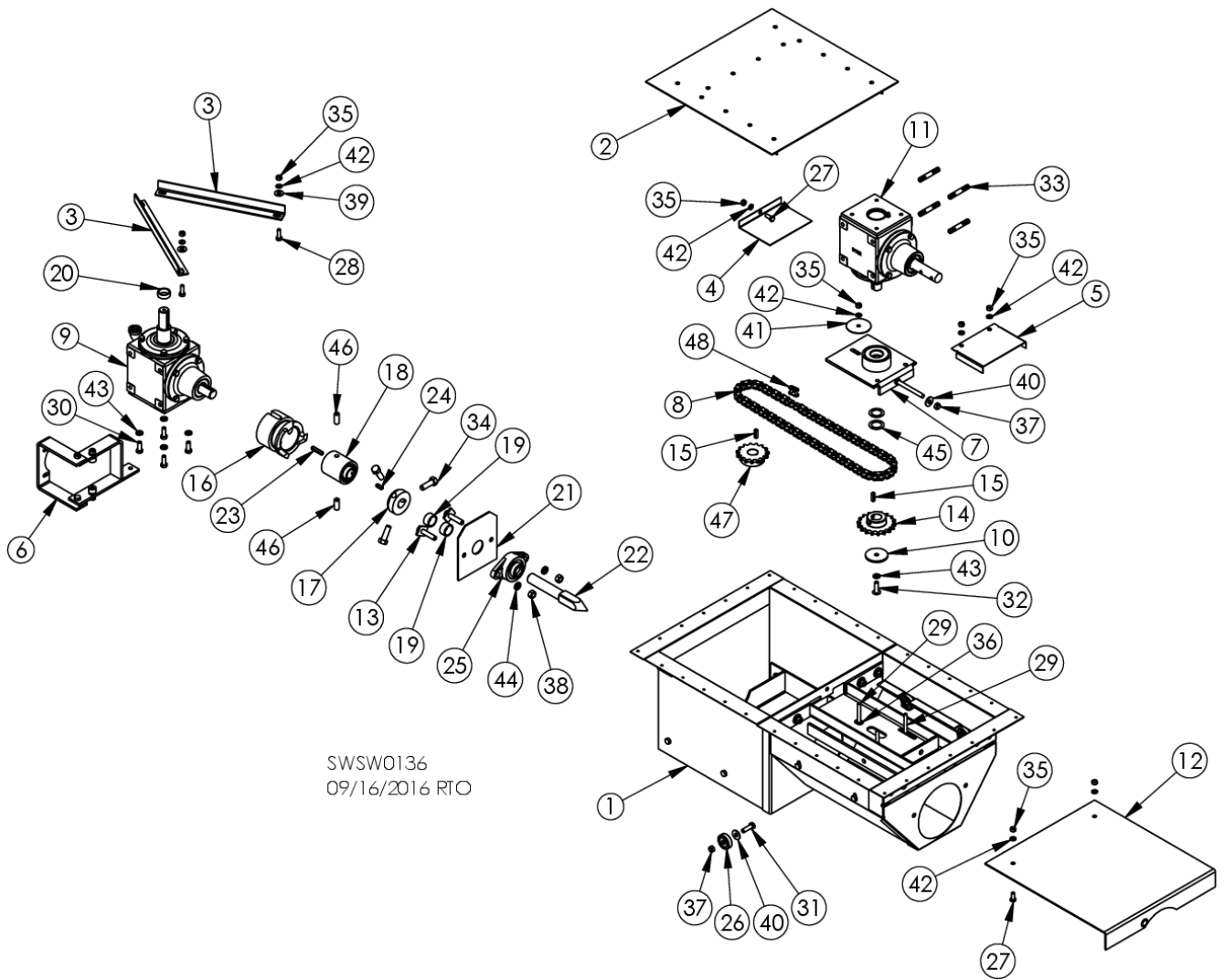


SWSW0233
01/09/2020 RTO

**20° INCLINE AUGER FOR 10" UNLOAD
(E5010 – 3-belt)**

REF. #	DESCRIPTION	QTY.	PART #
1	Transition	1	E5011
2	Tube	1	E5012
3	Bearing	2	E5013
4	Bearing support	2	E5014
5	Intermediate shaft	1	E5016
6	Auger shaft	1	E5017
7	Transition cover	1	E5019
8	Front plate	1	E5022
9	Brace	2	E5023
10	Motor mount brace	1	E5024
11	Unload shaft	1	E54143
12	Flighting, 5'	1	E56233
13	Support shaft	1	E56241
14	Pivot rod	1	E57441
15	Base plate spacer	1	E5768-03
16	Shield, inner	1	E5972
17	Shield, outer	1	E5973
18	Shield bracket	2	E5975
19	U-joint	2	E5985
20	Motor, mount	1	E5992
21	Half band	1	EE412
22	Flighting, 11" OD, 5"	1	EU1185
23	Key, 3/8", 1-5/8"	4	G5316
24	Flange bearing, 2", 4-bolt	1	J00493
25	Screw, 5/16 – 18 x 1"	8	J0527
26	Screw, 3/8 – 16 x 1"	32	J0611
27	Screw, 3/8 - 16 x 3"	2	J0660
28	Screw, 7/16 – 14 x 1-1/4"	4	J0722
29	Screw, 1/2 – 13 x 1-1/2"	4	J0730
30	Screw, 1/2 – 13 x 3"	4	J0750
31	Screw, 1/2 – 13 x 3-1/2"	5	J0754
32	Screw, 5/8 – 11 x 2"	4	J0791
33	Screw, 3/4 - 10 x 6"	1	J0824
34	Flange lock nut, 3/8" - 16	34	J1017
35	Lock nut, 7/16" – 14	4	J1034
36	Lock nut, 1/2" – 13	13	J1042
37	Nut, 5/8" – 11	4	J1046
38	Nut, 3/4" – 10	1	J1051
39	Flat washer, 5/16"	8	J1111
40	Flat washer, 3/8"	2	J1117
41	Flat washer, 1/2"	2	J1125
42	Split lock washer, 5/16"	8	J1200
43	Split lock washer, 5/8"	4	J1218
44	Machine bushing, 3/4 x 1-1/4", 14ga	5	J1260
45	Bushing, rubber, 1/2" ID	4	J5021
46	Hairpin clip, .120 x 2.5	2	J5412
47	Decal, Do Not Enter Bin, Keep Clear of Augers	1	L0258A
48	Decal, Danger, Replace Missing Shield	2	L0271
49	Decal, Safe Operation	2	L0281
50	Decal, Keep Away From Moving Parts	2	L0284
51	Sukup logo	2	L03161

6" SWEEPWAY CENTER SUMP



SWSW0136
09/16/2016 RTO

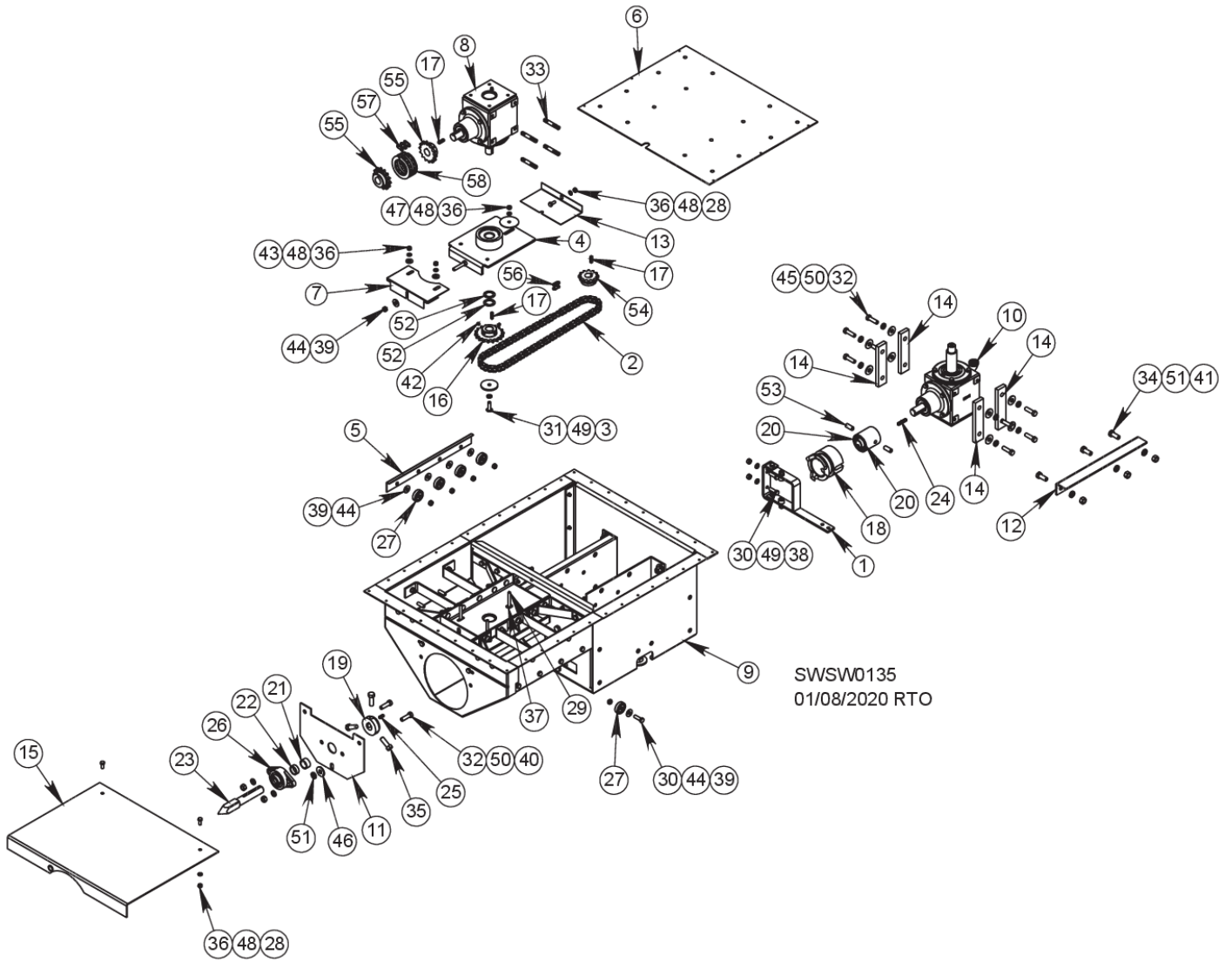
6" SWEEPWAY CENTER SUMP

REF. #	DESCRIPTION	QTY.	6" PART #
1	Center sump shell	1	E5300
2	Center sump cover	1	E5306
3	Center sump brace	2	E5308
4	Chain cover	1	E5309
5	Gearbox support cover	1	E5312
6	Clutch shifter arm assembly	1	E5313
7	Top gearbox bearing support slide plate w/ bearings	1	E5317
8	#50 chain, 73 links & 1 connector link	1	E5319
9	Lower gearbox	1	E5320
10	Spacer washer, 3/8" ID, 2-1/4" OD	1	E5324
11	Top gearbox	1	E5325**
12	Slide gate	1	E5476
13	Bolt, 7/16 - 14 x 2"	2	E5570
14	Sprocket, 1" bore, 50B18	1	E5837*
15	Key, 1/4" sq. x 1"	2	E5915
16	Three-tooth engaging clutch	1	E60011
17	3-bolt clutch base	1	E6002-01
18	Clutch base w/ set & pilot bearing, 2 bolt	1	E60031
19	Clutch spacer, 5/8" long	2	E60041
20	Clutch spacer, 7/16" long	1	E60042
21	Mounting plate	1	E6005
22	Square-end shaft	1	E6006
23	Key, 1/4" x 1-1/2"	1	E9007
24	Key, 1/4" x 3/4"	1	G7508
25	1" flange bearing	1	J0003
26	Roller bearing 1-1/2", 3/8" bore	6	J0045
27	Bolt, 5/16 - 18 x 3/4"	3	J0520
28	Screw, 5/16 - 18 x 1"	2	J0527
29	Carriage bolt, 5/16 - 18 x 2-1/2"	3	J0589
30	Bolt, 3/8 - 16 x 1"	4	J0606
31	Bolt, 3/8 - 16 x 1-1/4"	2	J0616
32	Bolt, 3/8 - 16 x 1-1/4", zinc plated	1	J06161
33	Stud bolt, 7/16 - 14 x 2-3/4"	4	J07211
34	Bolt, 1-1/2 x 1/2"	3	J0730
35	Hex nut, 5/16" - 18	8	J1002
36	Flat nut, 5/16" - 18	1	J1009
37	Lock nut, 3/8" - 16	7	J1025
38	Hex nut, 7/16" - 14	2	J1035
39	Flat washer, 5/16"	2	J1111
40	Flat washer, 3/8"	7	J1117
41	Washer, 2-1/2" OD, 3/8" ID, 14ga	1	J1140
42	Split lock washer, 5/16"	8	J1200
43	Split lock washer, 3/8"	5	J1205
44	Split lock washer, 7/16"	2	J1210
45	Machine bushing, 1", 18ga	2	J1266
46	Allen-head setscrew, 1/2 x 1-1/4"	2	J1390
47	Sprocket, 50B15H, 1" bore w/ keyway	1	J1665
48	Chain connector link, #50	1	J1760

*Order E58371 to receive setscrews with sprocket

**Order E53393 to receive assembled gearbox, bearing plate & sprocket

8" SWEEPWAY CENTER SUMP



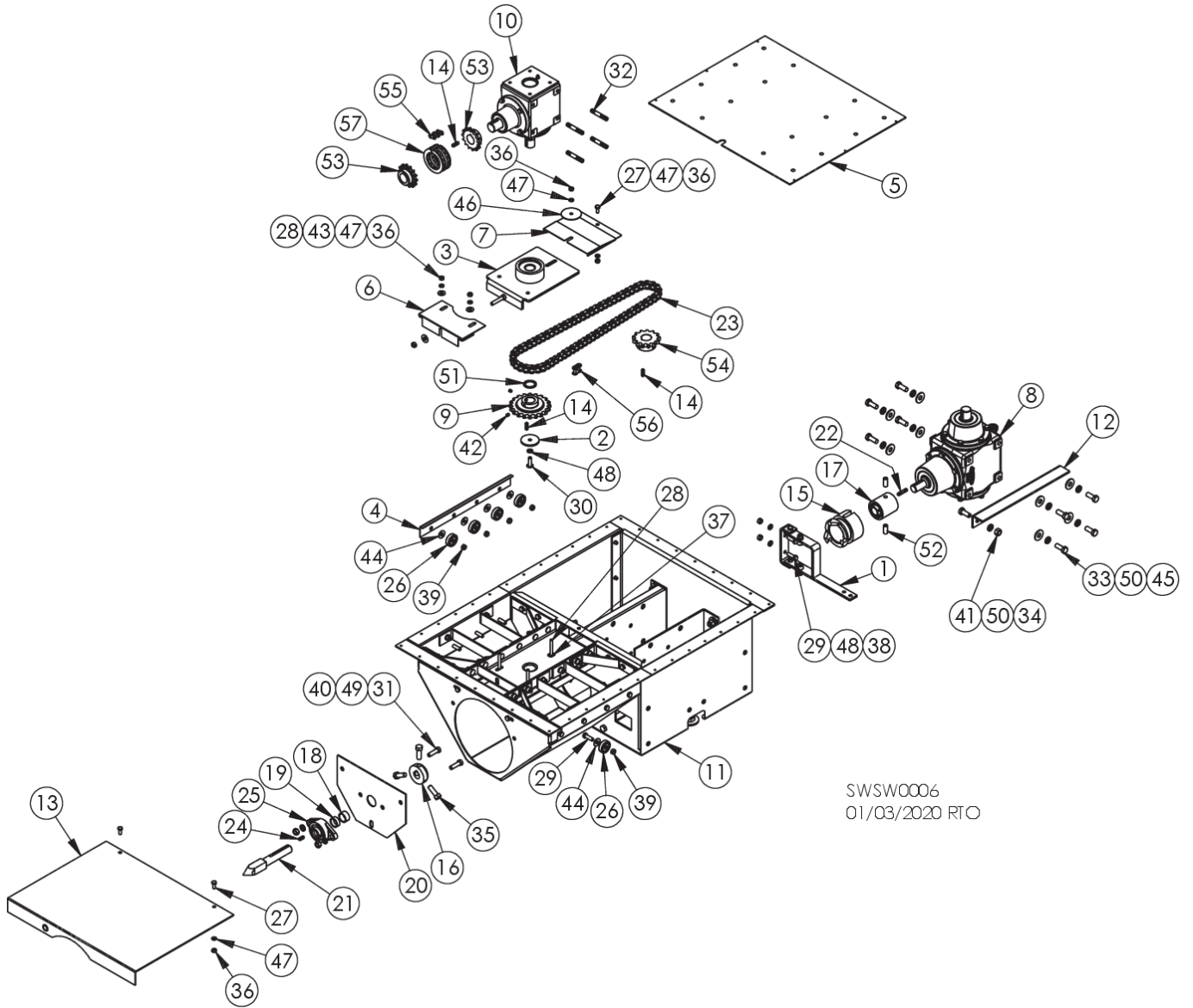
8" SWEEPWAY CENTER SUMP

REF. #	DESCRIPTION	QTY.	PART #
1	Clutch shifter arm assembly	1	E53132
2	Chain, #50, 73 links	1	E5319-01
3	Spacer washer, 3/8" ID, 2-1/4" OD	1	E5324
4	Weld support plate w/ snap ring, 10"	1	E5339
5	Side gate rail	2	E5350-14
6	Sump cover	1	E5354
7	Gearbox support cover	1	E5357
8	Top gearbox	1	E5374**
9	Center sump shell	1	E5376
10	Lower gearbox	1	E5378
11	Mounting plate	1	E53871
12	Gearbox support angle brace	1	E53874
13	Chain cover	1	E53875
14	Lower gearbox spacer bar	4	E53877
15	Slide gate	1	E5477
16	Sprocket, 50B18, 1" bore	1	E5837*
17	Key, 1/4 sq. x 1"	2	E5915
18	Three-tooth engaging clutch	1	E60011
19	3-bolt clutch base	1	E6002-01
20	Clutch base w/ set & pilot bearing, 2 bolt	1	E60031
21	Clutch spacer, 5/8" long	1	E60041
22	Clutch spacer, 7/16" long	1	E60042
23	Square-end shaft	1	E6006
24	Key, 1/4 x 1-1/2"	1	E9007
25	Key, 1/4" x 3/4"	1	G7508
26	1" flange bearing	1	J0003
27	Roller bearing 1-1/2", 3/8" bore	10	J0045
28	Bolt, 5/16 - 18 x 3/4"	3	J0520
29	Carriage bolt, 5/16 - 18 x 2-1/2"	3	J0589
30	Bolt, 3/8 - 16 x 1-1/4"	4	J0616
31	Bolt, 3/8 - 16 x 1-1/4", zinc plated	1	J06161
32	Screw, 7/16 - 14 x 1-1/2"	10	J0710
33	Stud bolt, 7/16 - 14 x 2-3/4"	4	J07211
34	Screw, 1/2 - 13 x 1-1/4"	3	J0728
35	Bolt, 1-1/2 x 1/2"	3	J0730
36	Hex nut, 5/16" - 18	6	J1002
37	Flat nut, 5/16" - 18	1	J1009
38	Hex nut, 3/8" - 16	2	J1020
39	Lock nut, 3/8" - 16	11	J1025
40	Hex nut, 7/16" - 14	2	J1035
41	Hex nut, 1/2" - 13	3	J1040
42	Setscrew, 5/16" - 18	2	J1080
43	Flat washer, 5/16"	2	J1111
44	Flat washer, 3/8"	11	J1117
45	Flat washer, 7/16"	8	J1120
46	Flat washer, 1/2"	1	J1125
47	Washer, 2-1/2" OD, 3/8" ID, 14ga	1	J1140
48	Split lock washer, 5/16"	6	J1200
49	Split lock washer, 3/8"	3	J1205
50	Split lock washer, 7/16"	10	J1210
51	Lock washer, 1/2"	3	J1215
52	Machine bushing, 1", 18ga	2	J1266
53	Allen-head setscrew, 1/2 x 1-1/4"	2	J1390
54	Sprocket, 50B12H, 1" bore w/ keyway	1	J1660
55	Sprocket, 1" bore	2	J1663
56	#50 chain connector link	1	J1760
57	Double chain link connector, #50	1	J1761
58	Double chain, #50, 13 links	1	S7023

*Order E58371 to receive setscrews with sprocket

**Order E53397 to receive assembled gearbox, bearing plate & sprocket

10" SWEEPWAY CENTER SUMP



SWSW0006
01/03/2020 RTO

10" SWEEPWAY CENTER SUMP

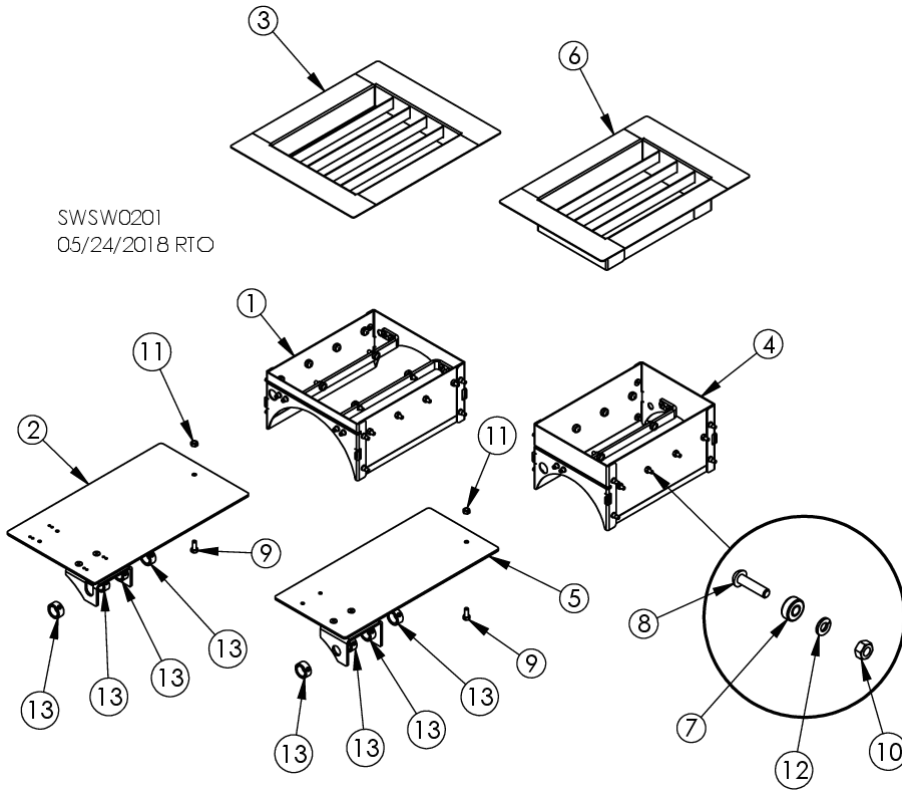
REF. #	DESCRIPTION	QTY.	PART #
1	Clutch shifter arm assembly	1	E53132
2	Spacer washer, 3/8" ID, 2-1/4" OD	1	E5324
3	Weld support plate w/ snap ring, 10"	1	E5339
4	Side gate rail	2	E5350-14
5	Sump cover	1	E5354
6	Gearbox support cover	1	E5357
7	Chain cover	1	E5358
8	Lower gearbox	1	E5360
9	Sprocket, 60B20, 1.1811" bore	1	E5373*
10	Top gearbox	1	E53751**
11	Center sump shell	1	E5377
12	Gearbox support angle brace	1	E53874
13	Slide gate	1	E5478
14	Key, 1/4 sq. x 1"	2	E5915
15	Three-tooth engaging clutch	1	E60011
16	3-bolt clutch base	1	E6002-01
17	Clutch base w/ set & pilot bearing, 2 bolt	1	E60031
18	Clutch spacer, 5/8" long	1	E60041
19	Clutch spacer, 7/16" long	1	E60042
20	Mounting plate	1	E60051
21	Square-end shaft	1	E6018
22	Key, 1/4 x 1-1/2"	1	E9007
23	#60 chain, 69 links	1	EU0139
24	Key, 1/4" x 3/4"	1	G7508
25	1" flange bearing	1	J0003
26	Roller bearing 1-1/2", 3/8" bore	10	J0045
27	Bolt, 5/16 - 18 x 3/4"	3	J0520
28	Carriage bolt, 5/16 - 18 x 2-1/2"	3	J0589
29	Bolt, 3/8 - 16 x 1-1/4"	4	J0616
30	Bolt, 3/8 - 16 x 1-1/4", zinc plated	1	J06161
31	Screw, 7/16 - 14 x 1-1/2"	2	J0710
32	Stud bolt, 7/16 - 14 x 2-3/4"	4	J07211
33	Screw, 1/2 - 20 x 1-1/4"	8	J0724
34	Screw, 1/2 - 13 x 1-1/4"	1	J0728
35	Bolt, 1-1/2 x 1/2"	3	J0730
36	Hex nut, 5/16" - 18	6	J1002
37	Flat nut, 5/16" - 18	1	J1009
38	Hex nut, 3/8" - 16	2	J1020
39	Lock nut, 3/8" - 16	11	J1025
40	Hex nut, 7/16" - 14	2	J1035
41	Hex nut, 1/2" - 13	1	J1040
42	Setscrew, 5/16" - 18	4	J1080
43	Flat washer, 5/16"	2	J1111
44	Flat washer, 3/8"	11	J1117
45	Flat washer, 1/2"	8	J1125
46	Washer, 2-1/2" OD, 3/8" ID, 14ga	1	J1140
47	Split lock washer, 5/16"	6	J1200
48	Split lock washer, 3/8"	3	J1205
49	Split lock washer, 7/16"	2	J1210
50	Lock washer, 1/2"	9	J1215
51	Machine bushing, 30mm ID x 4mm OD	1	J1268
52	Allen-head setscrew, 1/2 x 1-1/4"	2	J1390
53	Sprocket, 50B14, 1-1/4" bore	2	J1667
54	Sprocket, 60B13, 1-1/4" bore	1	J1686
55	Double chain link connector, #50	1	J1761
56	#60 chain connector link	1	J1775
57	Double chain, #50, 13 links	1	S7023

*Order E53731 to receive setscrews with sprocket

**Order E53394 to receive assembled gearbox, bearing plate & sprocket

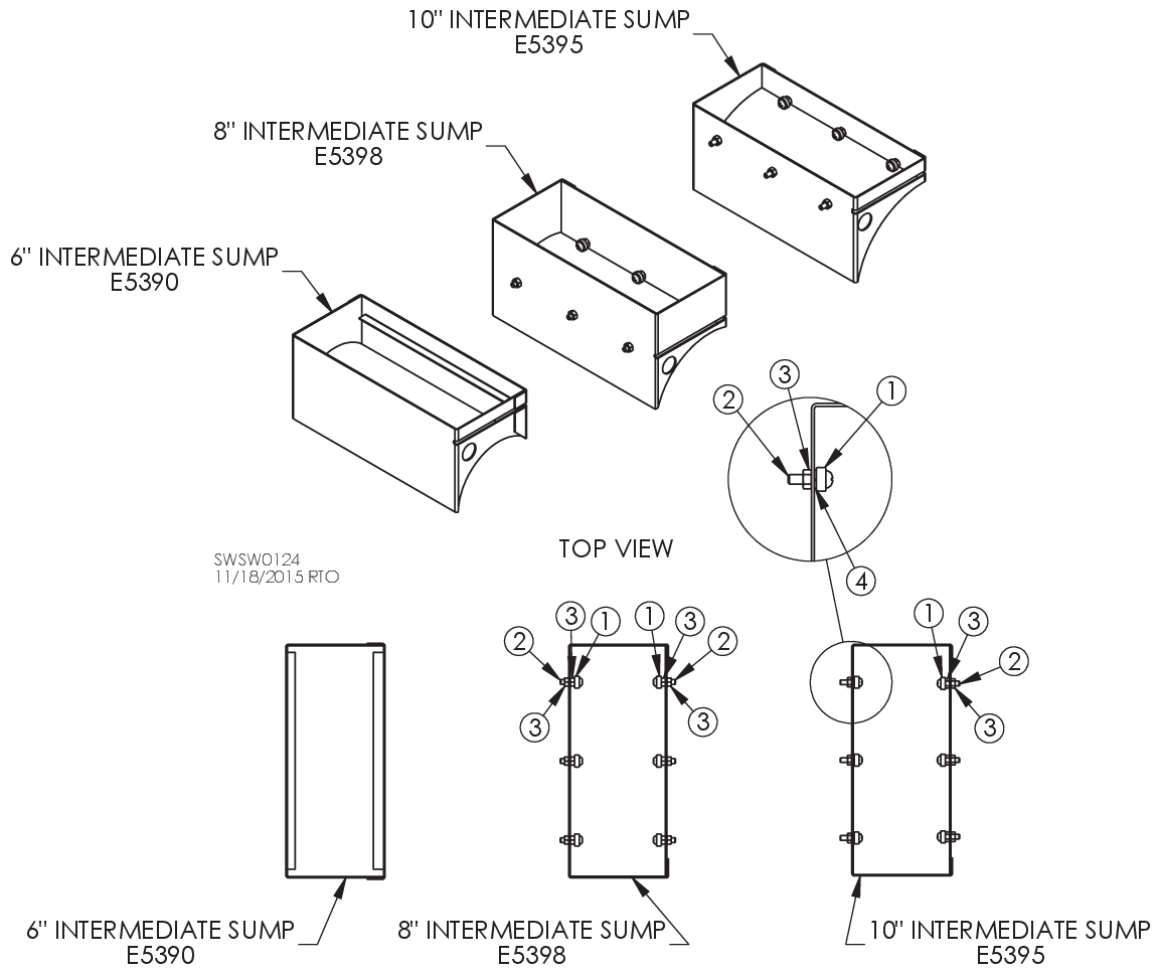
**INDEPENDENT INTERMEDIATE SUMP
8" & 10"**

SWSW0201
05/24/2018 RTO



REF. #	DESCRIPTION	QTY.	PART #
1	Sump bottom	1	E53951
2	Slide gate	1	E53963
3	Sump top	1	E53964
4	Sump bottom	1	E53981
5	Slide gate	1	E53987
6	Sump top	1	E53989
7	Bearing, 1/4" ID, 5/8" OD	10	J0016
8	Screw, 1/4 - 20 x 1"	10	J05081
9	Screw, 5/16 - 18 x 3/4"	1	J0520
10	Hex nut, 1/4" - 20	10	J0990
11	Lock nut, 5/16" - 18	1	J1010
12	Lock washer, 1/4",	10	J1195
13	Shaft collar, 7/8"	4	J1330

6", 8" & 10" SWEEPWAY INTERMEDIATE SUMPS

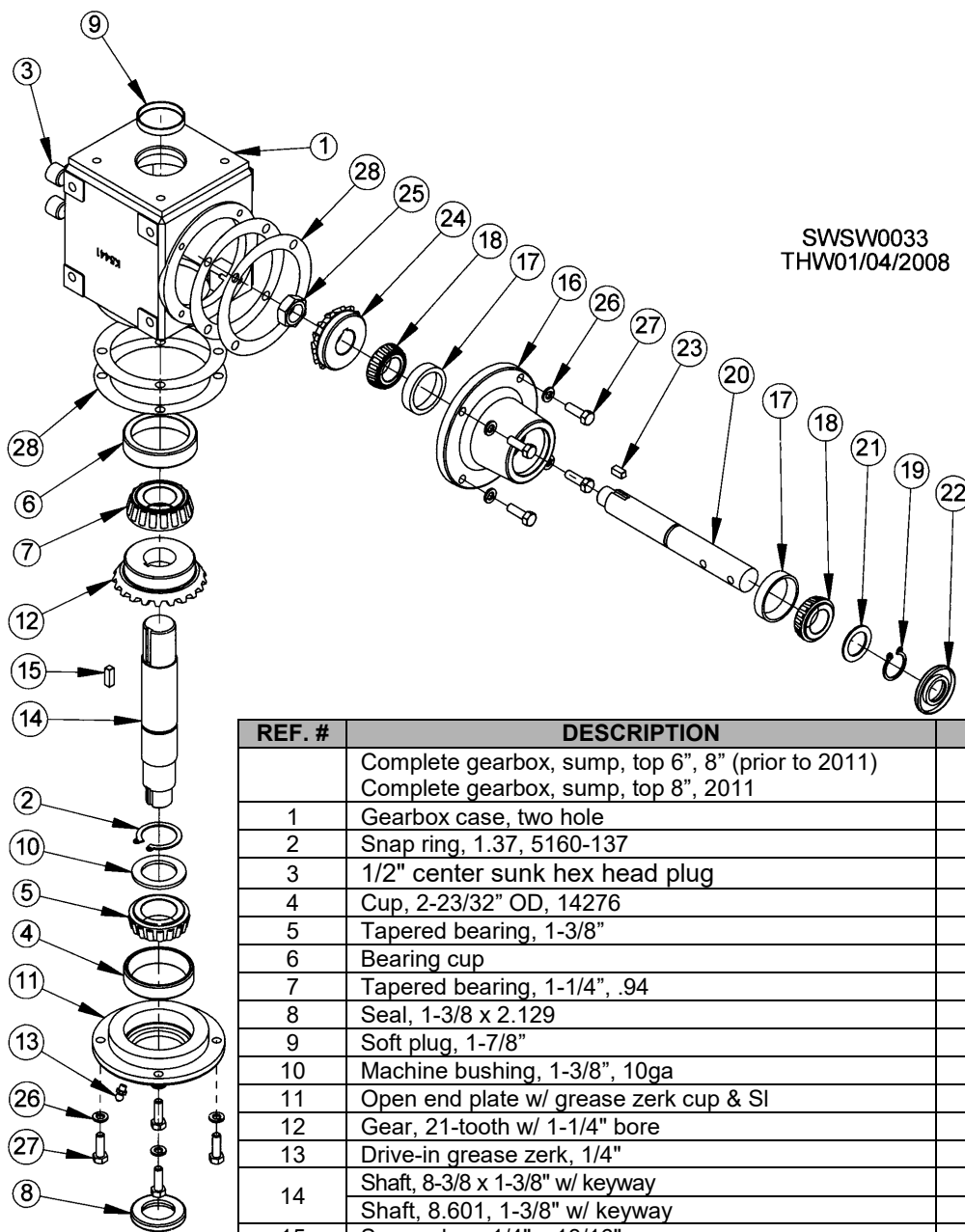


REF. #	DESCRIPTION	QTY.	PART #
1	Bearing, 1/4" ID, 5/8" OD	*	J0016
2	Screw, 1/4 – 20 x 1"	*	J05081
3	Hex nut, 1/4" – 20	*	J0990
4	Lock washer, 1/4"	*	J1195

* QTY. varies with sump size

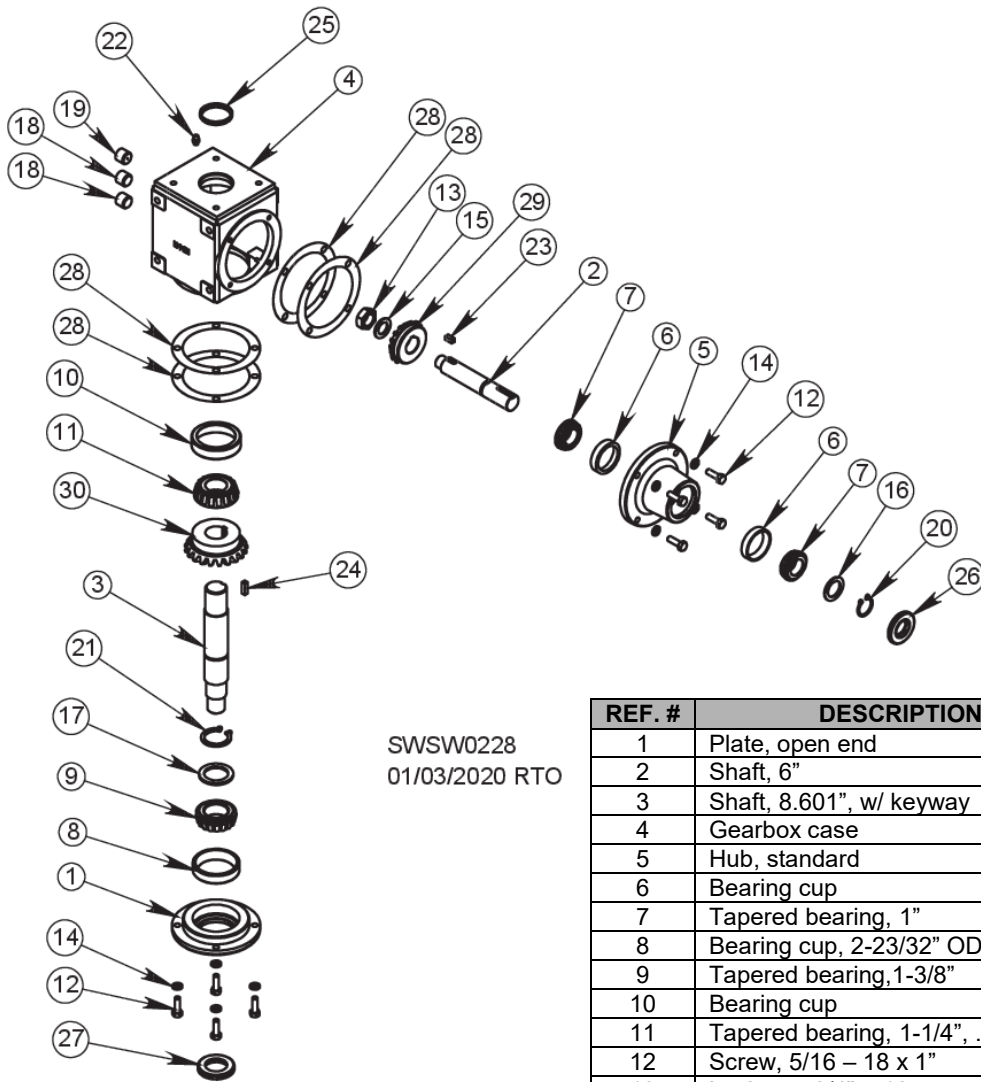
6" SWEEPWAY TOP GEARBOX

SWSW0033
THW01/04/2008



REF. #	DESCRIPTION	QTY.	PART #
	Complete gearbox, sump, top 6", 8" (prior to 2011)		E5325
	Complete gearbox, sump, top 8", 2011		E5374
1	Gearbox case, two hole	1	F9004
2	Snap ring, 1.37, 5160-137	1	J3589
3	1/2" center sunk hex head plug	2	J2615
4	Cup, 2-23/32" OD, 14276	1	J0115
5	Tapered bearing, 1-3/8"	1	J0120
6	Bearing cup	1	J0125
7	Tapered bearing, 1-1/4", .94	1	J0130
8	Seal, 1-3/8 x 2.129	1	J7010
9	Soft plug, 1-7/8"	1	J6980
10	Machine bushing, 1-3/8", 10ga	1	J1275
11	Open end plate w/ grease zerk cup & SI	1	E59021
12	Gear, 21-tooth w/ 1-1/4" bore	1	F4742
13	Drive-in grease zerk, 1/4"	1	J3605
14	Shaft, 8-3/8 x 1-3/8" w/ keyway	1	E5901
	Shaft, 8.601, 1-3/8" w/ keyway	1	E5908
15	Square key, 1/4" x 13/16"	1	J3619
16	Gear box hub	1	F9007
17	Bearing cup	2	J0105
18	Tapered bearing, 1"	2	J0111
19	Snap ring, 1.00, 329	1	J3584
20	Upper gearbox connector shaft, 1 x 8"	1	E5903
21	Machine bushing, 1", 1ga	1	J1265
22	Seal, 1.000 x 2.004	1	J6993
23	Square key, 1/4 x 9/16"	1	J3618
24	Small gear, (14 teeth)	1	F4740
25	Thin nylon lock nut, 3/4" - 16	1	J1055
26	Split lock washer, 5/16"	8	J1200
27	Screw, 5/16 - 18 X 1"	8	J0527
28	Shim, 3.88 x 5.12 x 0.003	As needed	J7090
	Shim, 3.88 x 5.12 x 0.010	As needed	J70901

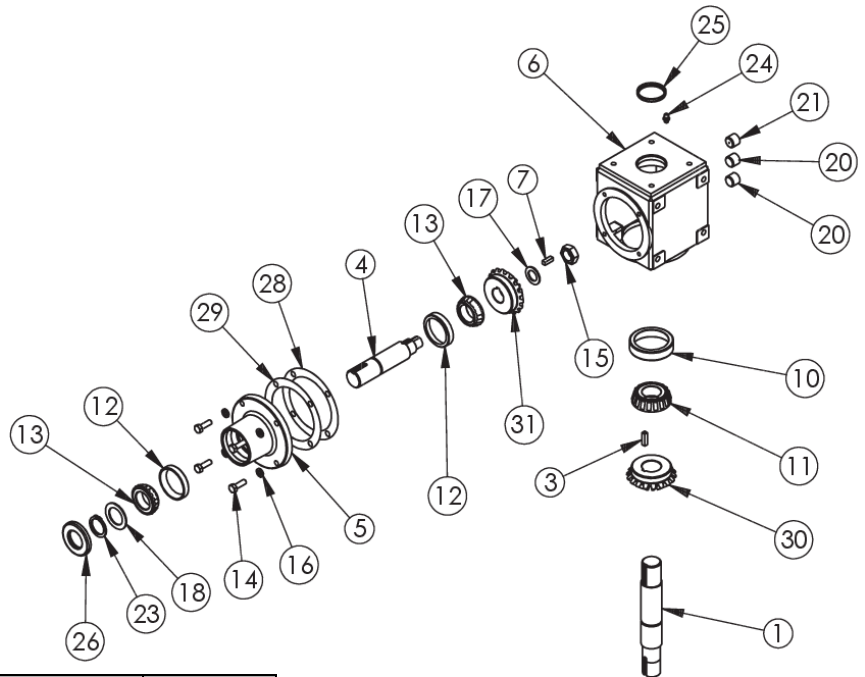
8" SWEEPWAY TOP GEARBOX



SWSW0228
01/03/2020 RTO

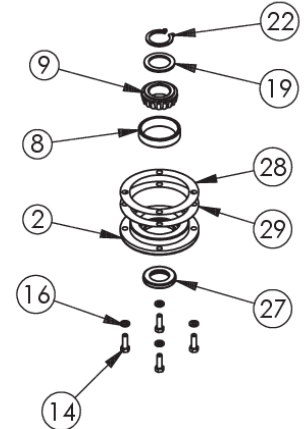
REF. #	DESCRIPTION	QTY.	PART #
1	Plate, open end	1	E5902-01
2	Shaft, 6"	1	E5905
3	Shaft, 8.601", w/ keyway	1	E5908
4	Gearbox case	1	F9004
5	Hub, standard	1	F9007-01
6	Bearing cup	2	J0105
7	Tapered bearing, 1"	2	J0111
8	Bearing cup, 2-23/32" OD	1	J0115
9	Tapered bearing, 1-3/8"	1	J0120
10	Bearing cup	1	J0125
11	Tapered bearing, 1-1/4", .94	1	J0130
12	Screw, 5/16 - 18 x 1"	8	J0527
13	Lock nut, 3/4" - 16	1	J1055
14	Split lock washer, 5/16"	8	J1200
15	Machine bushing, 3/4 x 1-1/4", 14ga	1	J1260
16	Machine bushing, 1", 14ga	1	J1265
17	Machine bushing, 1-3/8", 10ga	1	J1275
18	1/2" center sunk hex head plug	2	J2615
19	1/2" center sunk head vented plug	1	J2616
20	Snap ring, 1"	1	J3584
21	Snap ring, 1.37"	1	J3589
22	Drive-in grease zerk, 1/4"	1	J3605
23	Key, 1/4" sq. x 9/16"	1	J3618
24	Key, 1/4" x 13/16"	1	J3619
25	Soft plug, 1-7/8"	1	J6980
26	Seal, 1" x 2.004, r/c	1	J6993
27	Seal, 1-3/8" x 2.129, r/c	1	J7010
28	Shim, 3.88" x 5.12 x 0.003	As needed	J7090
29	Gear, 14-tooth, 1" bore	1	J8525
30	Gear, 21-tooth, 1-1/4" bore	1	J8526

10" SWEEPWAY TOP GEARBOX



SWSW0229
01/08/2020 RTO

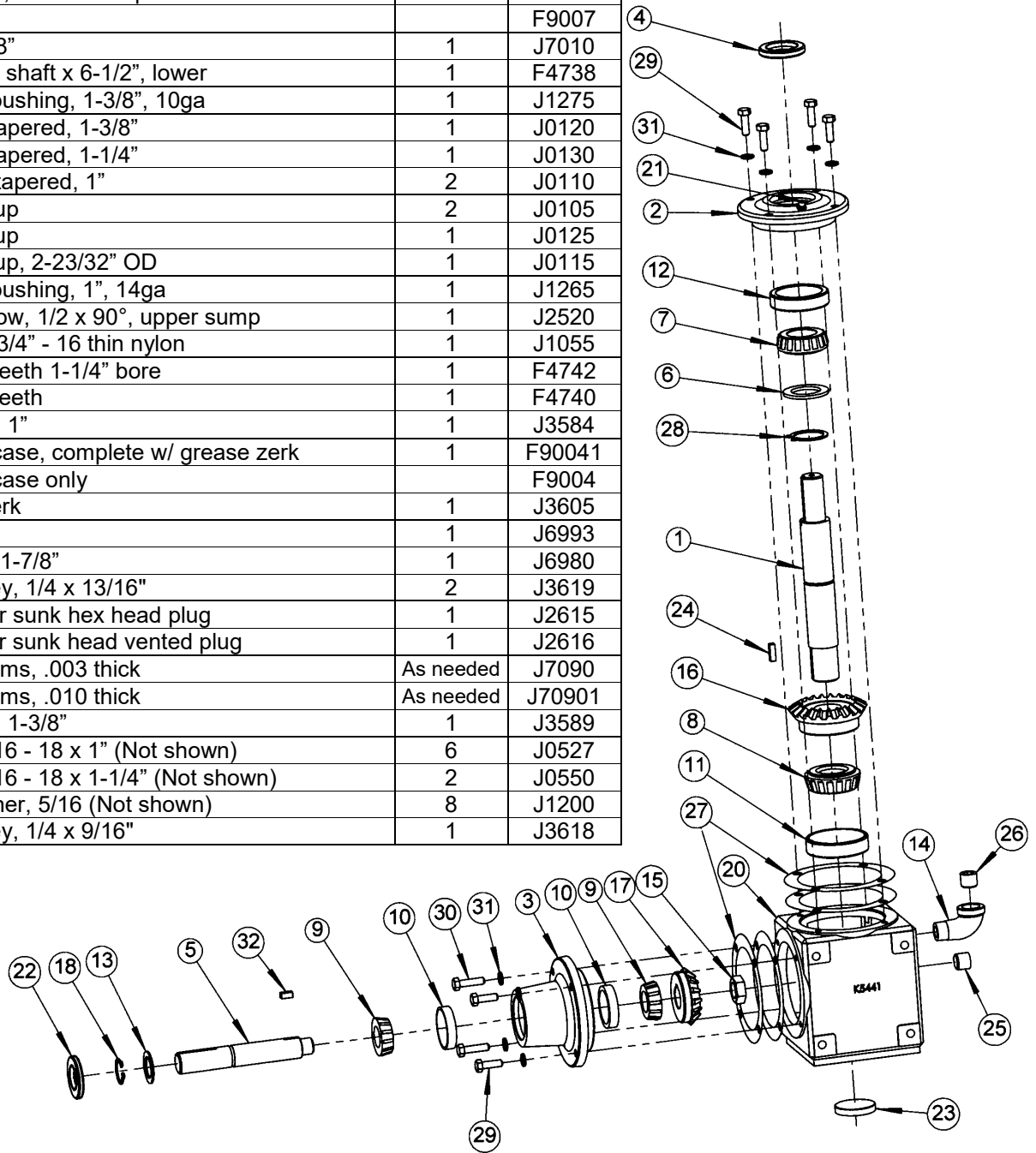
REF. #	DESCRIPTION	QTY.	PART #
1	Sprocket shaft	1	E5379
2	Plate, open end	1	E5902-01
3	Key, 1/4" x 1"	1	E5915
4	Shaft, 8"	1	EU0839
5	Output hub, 1-1/4" shaft	1	EU0840
6	Gearbox case	1	F9004
7	Key, 1/4" sq. x 3/4"	1	G7508
8	Bearing cup, 2-23/32 OD	1	J0115
9	Tapered bearing, 1-3/8"	1	J0120
10	Bearing cup	1	J0125
11	Tapered bearing, 1-1/4", .94	1	J0130
12	Bearing cup	2	J0133
13	Tapered bearing, 1-1/4"	2	J0134
14	Screw, 5/16 - 18 x 1	8	J0527
15	Lock nut, 3/4" - 16	1	J1055
16	Split lock washer, 5/16"	8	J1200
17	Machine bushing, 3/4 x 1-1/4", 14ga	1	J1260
18	Machine bushing, 1-1/4", 14ga	1	J1273
19	Machine bushing, 1-3/8", 10ga	1	J1275
20	1/2" center sunk hex head plug	2	J2615
21	1/2" center sunk head vented plug	1	J2616
22	Snap ring, 1.37"	1	J3589
23	Snap ring, 1-3/4"	1	J35981
24	Drive-in grease zerk, 1/4"	1	J3605
25	Soft plug, 1-7/8"	1	J6980
26	Seal, 1-1/4 2.378	1	J7005
27	Seal, 1-3/8" x 2.129, r/c	1	J7010
28	Plastic shim, 0.003" thick	As needed	J7090
29	Plastic shim, 0.010 thick	As needed	J70901
30	Beveled gear, 18-tooth, 1-1/4" bore	1	J8528
31	Beveled gear, 18-tooth, 1" bore	1	J8529



6" & 8" SWEEPWAY LOWER GEARBOX

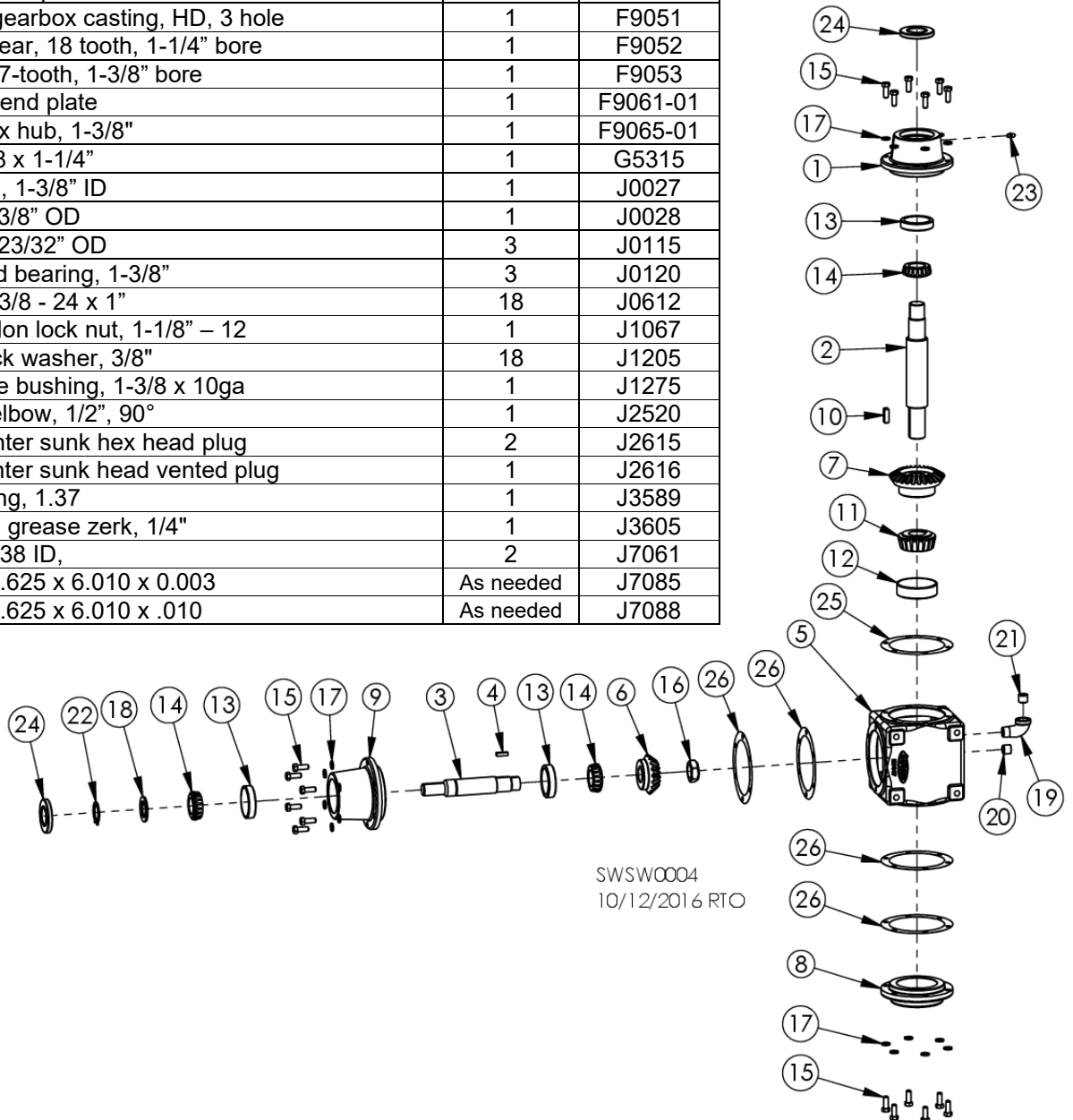
REF. #	DESCRIPTION	QTY.	PART #
	Complete gearbox, lower sump		E5320
	Complete gearbox, lower sump		E5378
1	Shaft, 1-3/8" main, lower sump	1	E5900
	Shaft, 10-7/16", 13/8" w/ keyway	1	E5927
2	Open end plate w/ grease zerk & cup	1	E59021
3	Lower hub, 6" & 8" complete	1	F9015
	Hub only		F9007
4	Seal, 1-3/8"	1	J7010
5	1" keyway shaft x 6-1/2", lower	1	F4738
6	Machine bushing, 1-3/8", 10ga	1	J1275
7	Bearing, tapered, 1-3/8"	1	J0120
8	Bearing, tapered, 1-1/4"	1	J0130
9	Bearing, tapered, 1"	2	J0110
10	Bearing cup	2	J0105
11	Bearing cup	1	J0125
12	Bearing cup, 2-23/32" OD	1	J0115
13	Machine bushing, 1", 14ga	1	J1265
14	Street elbow, 1/2 x 90°, upper sump	1	J2520
15	Lock nut, 3/4" - 16 thin nylon	1	J1055
16	Gear, 21 teeth 1-1/4" bore	1	F4742
17	Gear, 14 teeth	1	F4740
18	Snap ring, 1"	1	J3584
20	Gearbox case, complete w/ grease zerk	1	F90041
	Gearbox case only		F9004
21	Grease zerk	1	J3605
22	1" seal	1	J6993
23	Soft plug, 1-7/8"	1	J6980
24	Square key, 1/4 x 13/16"	2	J3619
25	1/2" center sunk hex head plug	1	J2615
26	1/2" center sunk head vented plug	1	J2616
27	Plastic shims, .003 thick	As needed	J7090
	Plastic shims, .010 thick	As needed	J70901
28	Snap ring, 1-3/8"	1	J3589
29	Screw, 5/16 - 18 x 1" (Not shown)	6	J0527
30	Screw, 5/16 - 18 x 1-1/4" (Not shown)	2	J0550
31	Lock washer, 5/16 (Not shown)	8	J1200
32	Square key, 1/4 x 9/16"	1	J3618

SWSW0002
THW01/07/2007



10" SWEEPWAY LOWER GEARBOX

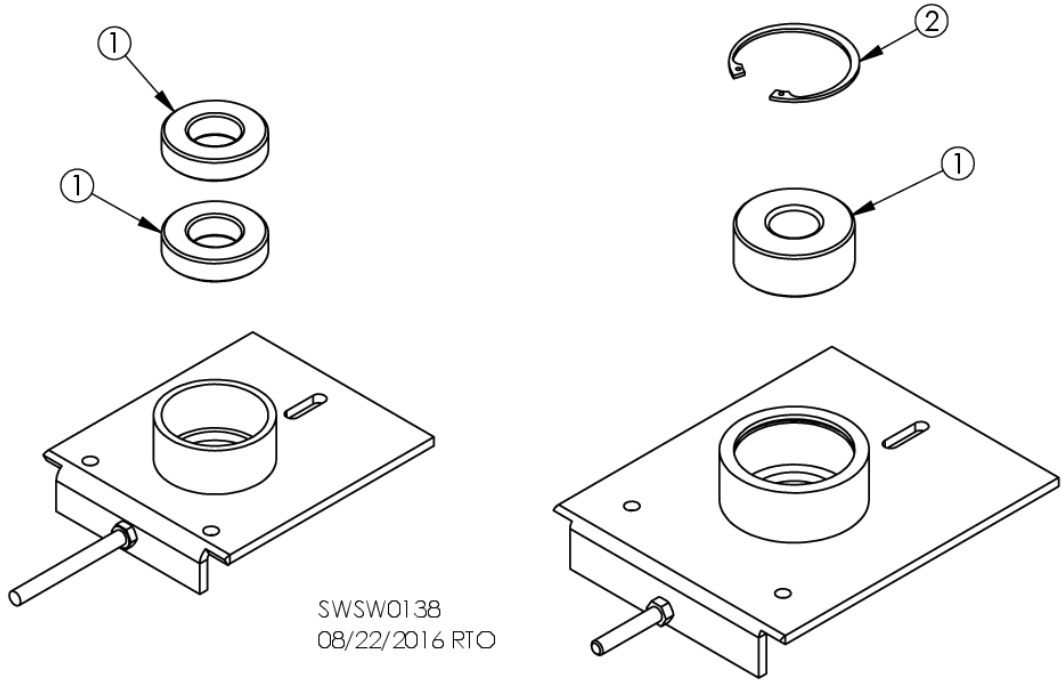
REF. #	DESCRIPTION	QTY.	PART #
1	Hub casting, HD, 1-3/8", 10", 1998	1	E5365
2	Gearbox shaft, 10"	1	E5366
3	Shaft, 8-5/16"	1	E5367
4	Key, 1/4" sq. x 1"	1	E5915
5	Lower gearbox casting, HD, 3 hole	1	F9051
6	Bevel gear, 18 tooth, 1-1/4" bore	1	F9052
7	Gear, 27-tooth, 1-3/8" bore	1	F9053
8	Closed end plate	1	F9061-01
9	Gearbox hub, 1-3/8"	1	F9065-01
10	Key, 3/8 x 1-1/4"	1	G5315
11	Bearing, 1-3/8" ID	1	J0027
12	Cup, 3-3/8" OD	1	J0028
13	Cup, 2-23/32" OD	3	J0115
14	Tapered bearing, 1-3/8"	3	J0120
15	Screw, 3/8 - 24 x 1"	18	J0612
16	Thin nylon lock nut, 1-1/8" - 12	1	J1067
17	Split lock washer, 3/8"	18	J1205
18	Machine bushing, 1-3/8 x 10ga	1	J1275
19	Street elbow, 1/2", 90°	1	J2520
20	1/2" center sunk hex head plug	2	J2615
21	1/2" center sunk head vented plug	1	J2616
22	Snap ring, 1.37	1	J3589
23	Drive-in grease zerk, 1/4"	1	J3605
24	Seal, 1.38 ID,	2	J7061
25	Shim, 4.625 x 6.010 x 0.003	As needed	J7085
26	Shim, 4.625 x 6.010 x .010	As needed	J7088



TOP GEARBOX BEARING SUPPORT SLIDE PLATE

E5317 (6")*

E5339 (8" & 10")



SWSW0138
08/22/2016 RTO

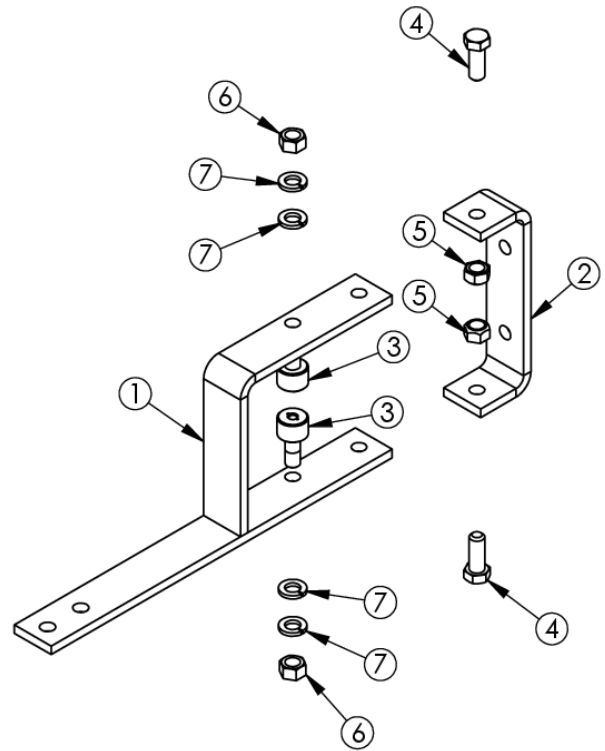
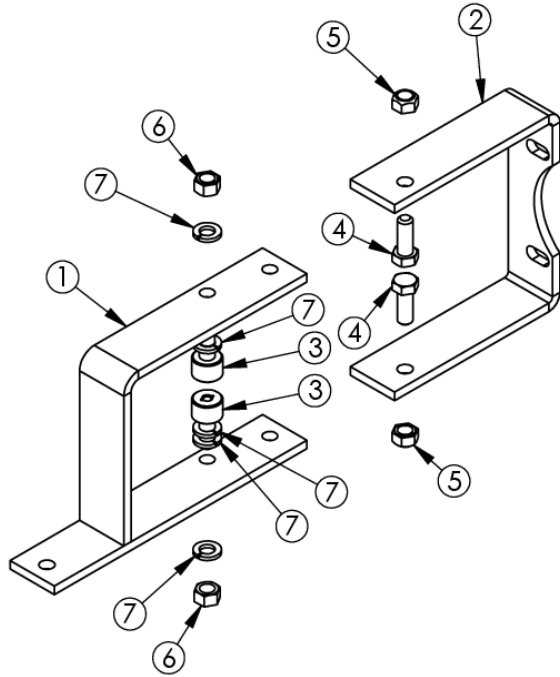
REF. #	DESCRIPTION	QTY.	6" PART #	8" & 10" PART #
1	Bearing, 1-1/4" ID, 2-1/2" OD	2	J0060	NA
	Bearing, 1.1811 ID, 2.8346 OD	1	NA	J00599
2	Snap ring, 2.047"	1	NA	J35991

***Also 8" prior to 2011**

CLUTCH SHIFTER ARM

E5313 (6")

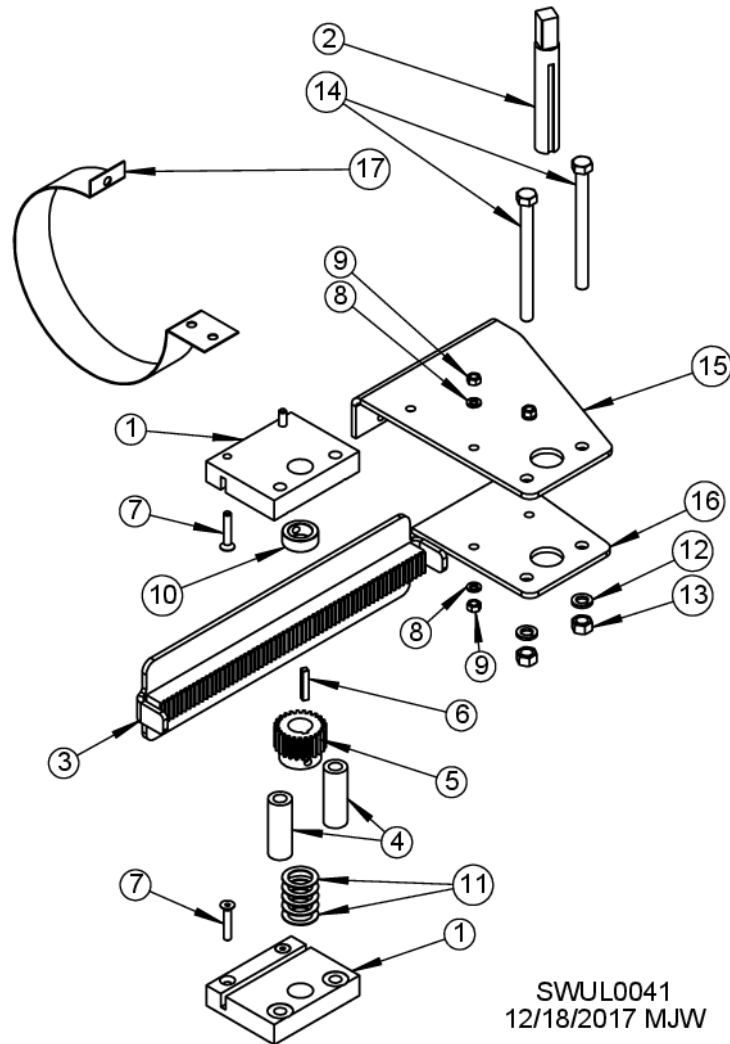
E53132 (8" & 10")



SWSW0137
08/22/2016 RTO

REF. #	DESCRIPTION	QTY.	6" PART #	8" & 10" PART #
1	Clutch arm weldment	1	E53131	NA
			NA	E5351
2	Clutch shifter support bracket	1	E5311	NA
			NA	E5352
3	Bearing, 3/4",cam follower	2	J0035	J0035
4	Screw, 3/8 -16 x 1"	2	J0606	J0606
5	Lock nut, 3/8" – 16	2	J1025	J1025
6	Hex nut, 3/8" – 24	2	J1030	J1030
7	Split lock washer, 3/8"	4	J1205	J1205

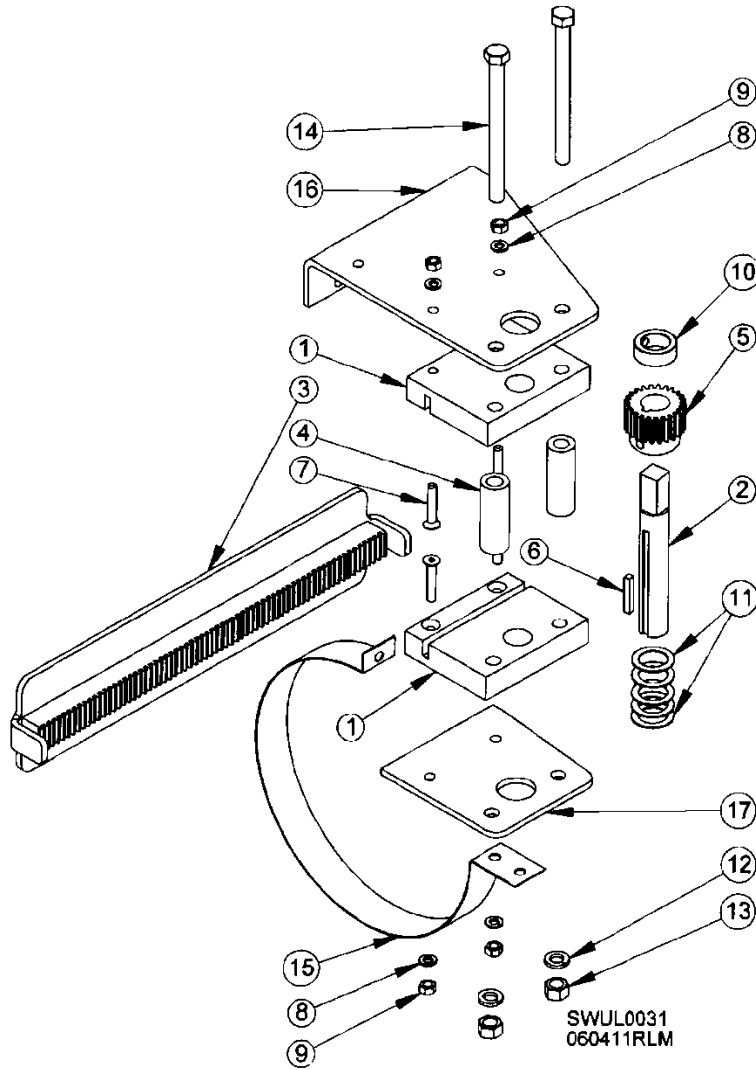
8" SWEEPWAY RACK & PINION OPENER (E5919)



SWUL0041
12/18/2017 MJW

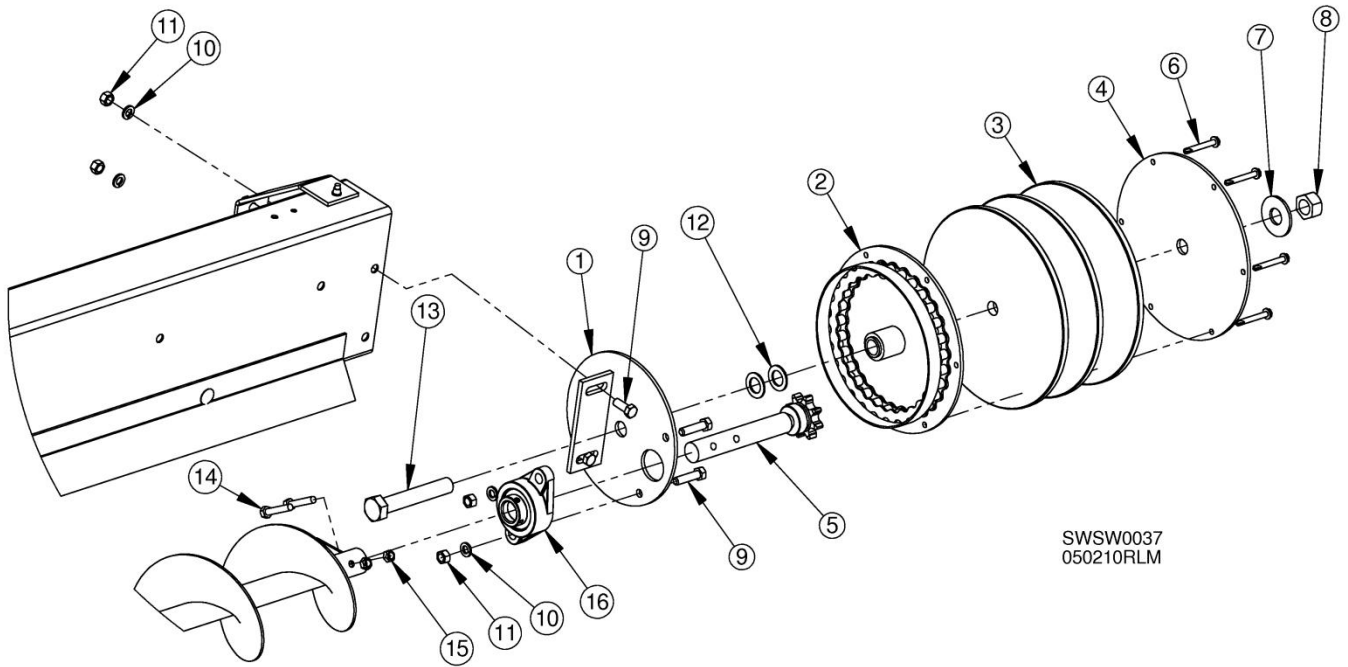
REF. #	DESCRIPTION	QTY.	PART #
1	Slide guide	2	E5962
2	Opener crank shaft	1	E5964
3	Slide plate rack weldment	1	E5916
4	Spacer	2	E5966
5	Pinion gear	1	E5961
6	Key, 1/4 x 1-1/2"	1	E9007
7	Screw, 5/16 – 18 x 1-3/4"	8	J0579
8	Split lock washer, 5/16"	8	J1200
9	Hex nut, 5/16" – 18	8	J1002
10	Shaft collar, 1"	1	J1335
11	Machine bushing, 1", 18ga	5	J1266
12	Lock washer, 1/2"	2	J1215
13	Hex nut, 1/2" – 13	2	J1040
14	Screw, 1/2 - 13 x 6"	2	J0762
15	Top frame	1	E5918
16	Bottom frame	1	E5917
17	Support strap	1	E5913

10" SWEEPWAY RACK & PINION OPENER (E5969)



REF. #	DESCRIPTION	QTY.	PART #
1	Slide guide	2	E5962
2	Opener crank shaft	1	E5964
3	Slide plate rack weldment	1	E5963
4	Spacer	2	E5966
5	Pinion gear	1	E5961
6	Key, 1/4 x 1-1/2"	1	E9007
7	Screw, 5/16 – 18 x 1-3/4"	8	J0579
8	Split lock washer, 5/16"	8	J1200
9	Hex nut, 5/16" – 18	8	J1002
10	Shaft collar, 1"	1	J1335
11	Machine bushing, 1", 18ga	5	J1266
12	Lock washer, 1/2"	2	J1215
13	Hex nut, 1/2" – 13	2	J1040
14	Screw, 1/2 - 13 x 6"	2	J0762
15	Support strap	1	E5968
16	Top frame	1	E5965-02
17	Bottom frame	1	E5965-01

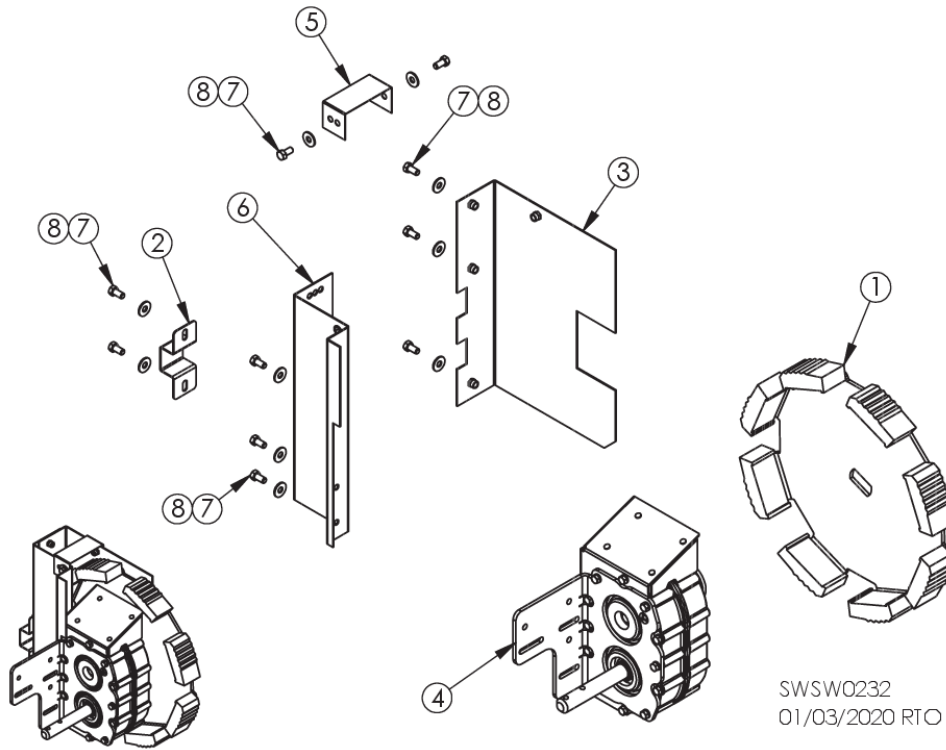
4-TO-1 REDUCTION DRIVE WHEEL
 Standard on all 6" sweeps and on 8" sweeps in bins up to 33' dia.



SWSW0037
050210RLM

REF. #	DESCRIPTION	QTY.	6" COMP #	8" PART #
	Complete wheel		E6094	E6092
1	6" assembly mount, 2010	1	E6095	-
	8" assembly mount, split, w/ brng., 2010	1	-	E6096
	10" assembly mount, split, w/ brng., 2010	1	-	-
2	Back plate w/ roller, 2010	1	E6087	E6087
3	10" rubber ring, 2000	3	E60121-01	E60121-01
4	Back plate, 9.25" Dia., 2010	1	E6088	E6088
5	Drive shaft w/ 8-tooth sprocket	1	E6049	E6049
6	Self-drilling screw, 1/4 - 14 x 2-1/4	6	J05041	J05041
7	Flat washer, 3/4"	1	J1130	J1130
8	Lock nut, 3/4" - 10	1	J1057	J1057
9	Screw, 3/8 - 16 x 1"	4	J0606	J0606
10	Split lock washer, 3/8"	4	J1205	J1205
11	Hex nut, 3/8" - 16	4	J1020	J1020
12	Machine bushing, 3/4 x 1-1/4", 14ga	2	J1260	J1260
13	Screw, 3/4 - 10 x 4-1/2"	1	J0817	J0817
14	Screw, 5/16 - 18 x 1-3/4"	2	J0570	J0570
15	Lock nut, 5/16" - 18	2	J1010	J1010
16	1" flange bearing w/ locking collar	1	J0003	J0003

16:1 DRIVE WHEEL & RECLAIM SHIELD



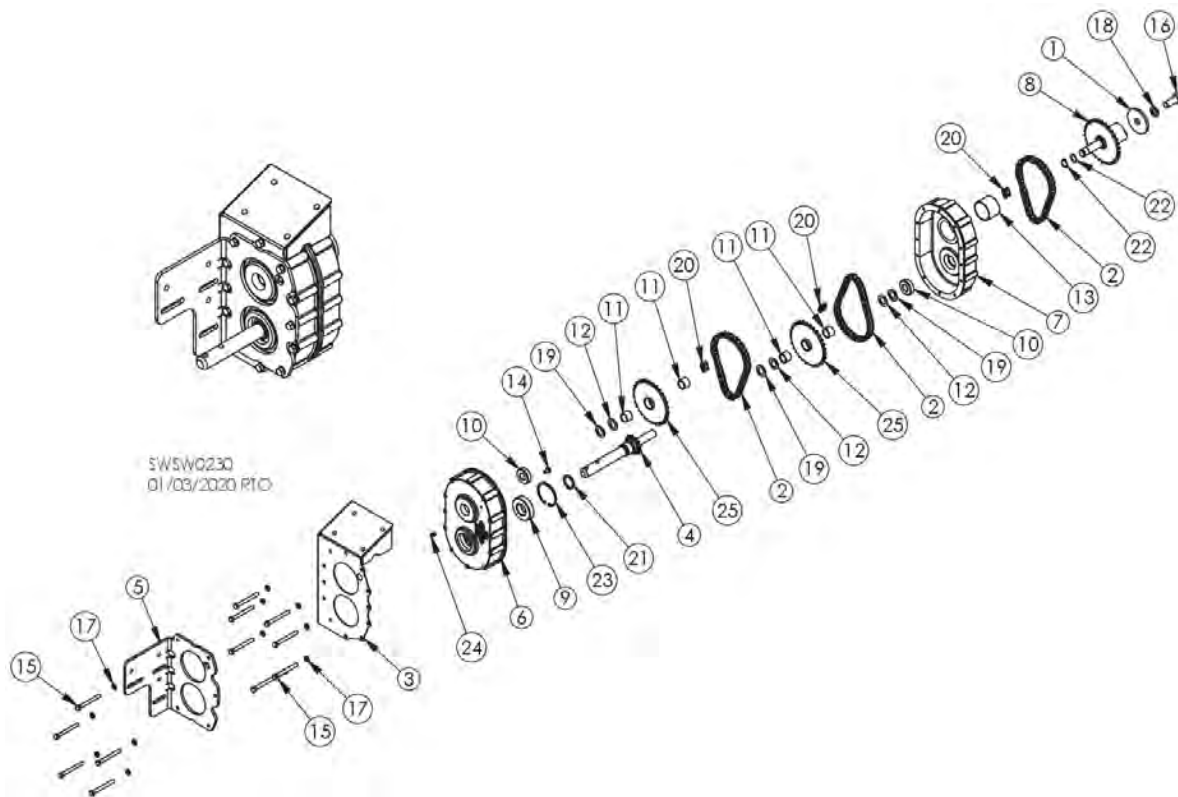
ITEM #	DESCRIPTION	8" PART #	10" PART #	QTY.
1	Drive wheel, w/ green tread*	E73491	E73491	1
2	Shield bracket	E7381	E7381	1
3	Reclaim shield extension plate	E7397	E7397	1
4	Gearbox, w/ mount	E7408	EU8246	1
5	Brace	E7412	E7412	1
6	Reclaim shield	E7421	E7416	1
7	Screw, 3/8 – 16 x 3/4"	J0605	J0605	10
8	Flat washer, 3/8"	J1117	J1117	10

***Order E73492 for wheel w/ black rubber treads**

**Order E7414 for kit of eight green poly treads or E73491-01 for a single green poly tread.
Order E7415 for kit of 8 black rubber treads or E73492-01 for a single black rubber tread.**

NOTE: Green poly tread is for use on Hawk Cut flashing. Black rubber tread is for use on perforated flashing.

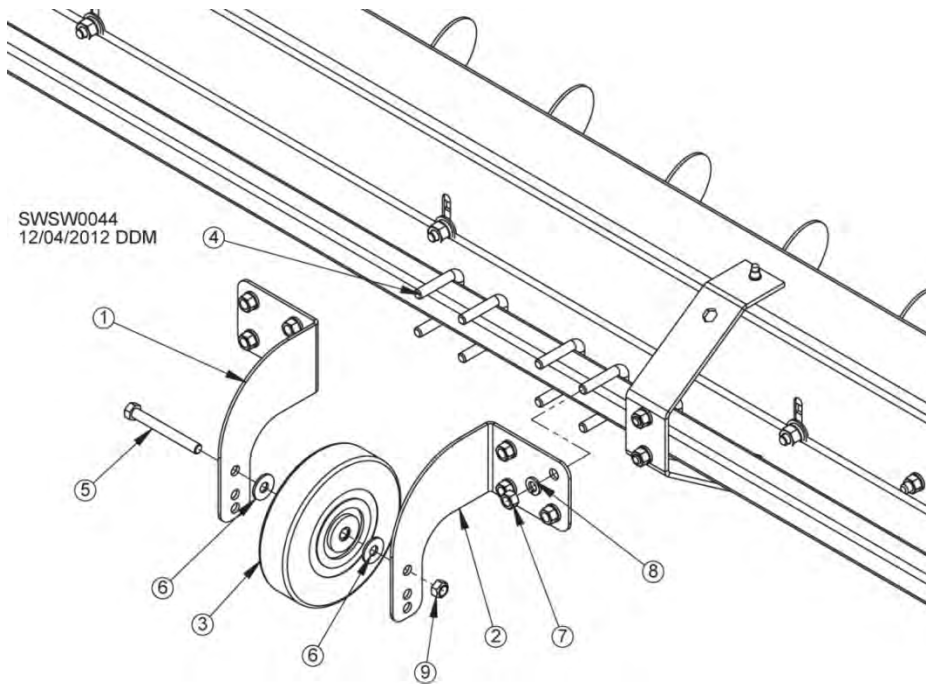
16-TO-1 REDUCTION DRIVE WHEEL



REF. #	DESCRIPTION	QTY.	8" PART #	10" PART #
1	Flat washer, 11/16"	1	E7322	E7322
2	Chain, # 40, 37 links	3	E7327	E7327
3	Grain deflector	1	E7407	E7413
4	Input shaft	1	E7419	EU8249
5	Mounting bracket	1	E7428	E7411
6*	Input side of gearbox	1	EU8247	EU8247
7*	Output side of gearbox	1	EU8248	EU8248
8	Output shaft	1	EU8250	EU8250
9	Bearing, 1-1/4" ID, 2-1/2" OD	1	J0060	J0060
10	Bearing, 3/4" ID, 1-5/8" OD	2	J00703	J00703
11	Bushing, 3/4" ID, 1-3/4" OD	4	J00745	J00745
12	Thrust washer, 3/4" ID, 1-1/4" OD	3	J00746	J00746
13	Bushing, 1-15/16" ID, 2-1/8" OD	1	J00817	J00817
14	Screw, 1/4 - 20 x 1/2"	1	J05083	J05083
15	Screw, 5/16 - 18 x 3"	12	J05952	J05952
16	Screw, 5/8 - 11 x 1-1/2"	1	J0781	J0781
17	Split lock washer, 5/16"	12	J1200	J1200
18	Split lock washer, 5/8"	1	J1218	J1218
19	Machine bushing, 3/4 x 1-1/4", 14ga	3	J1260	J1260
20	Connector link, #40 chain	3	J1745	J1745
21	Snap ring, 1-3/4"	1	J35981	J35981
22	Snap ring, 3/4"	2	J35983	J35983
23	Snap ring, 2-1/2"	1	J35984	J35984
24	Grease zerk, drive-in, 1/4"	1	J3605	J3605
25	Sprocket	2	J7312	J7312

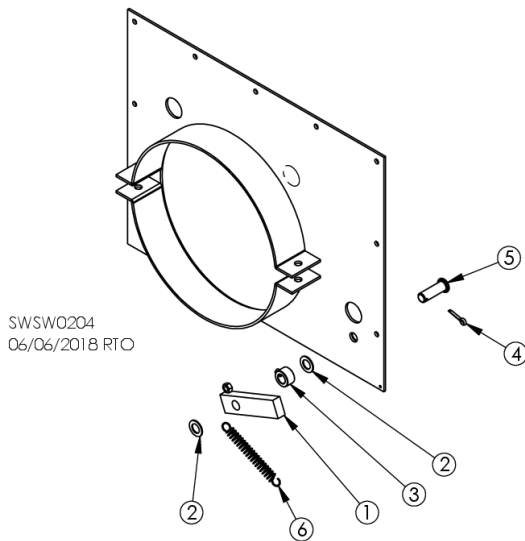
*Must be replaced together if replacement necessary

REAR CARRIER WHEEL



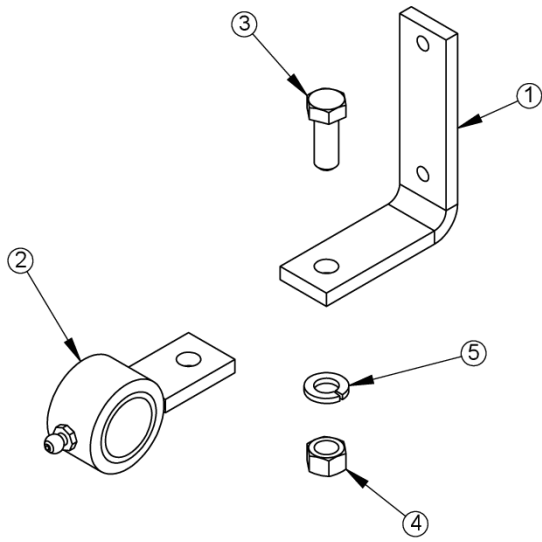
REF. #	DESCRIPTION	QTY.	PART #
	Rear carrier wheel kit	-	E6099
1	Rear carrier wheel bracket, left	1	E7741
2	Rear carrier wheel bracket, right	1	E7740
3	Rubber wheel, 6", w/ bushing	1	J7271
4	U-bolt, 3/8" - 16	4	J0644
5	Bolt, 3/8 - 16 x 3-1/4"	1	J0663
6	Flat washer, 3/8"	2	J1117
7	Hex nut, 3/8" - 16	8	J1020
8	Split lock washer, 3/8"	8	J1205
9	Lock nut, 3/8" - 16	1	J1025

BIN COLLAR



REF. #	DESCRIPTION	QTY.	PART #
1	Clutch latch	1	E5408
2	Machine bushing, 1/2" x 18ga	3	J1250
3	Shaft collar, 1/2"	1	J1320
4	Cotter pin, 1/8 x 1"	1	J1420
5	Picker pin, 1/2 x 1-1/2"	1	J1550
6	Pawl spring	1	J2360

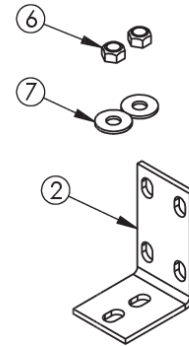
SWEEP AUGER SUPPORT BUSHING



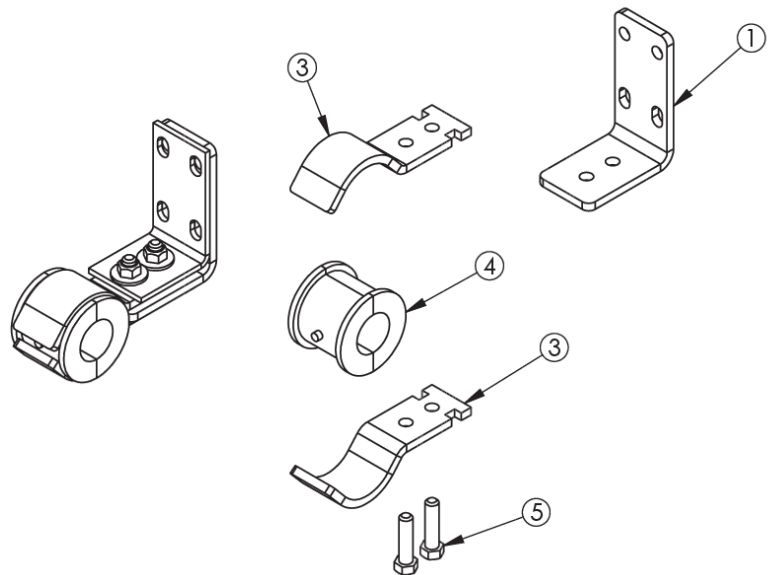
REF. #	DESCRIPTION	QTY.	6" PART #	8" PART #
	Complete assembly	1	E6089	E60901
1	Mounting bracket	1	E6061	E60631
2	Sweep auger bushing	1	E6065	E6065
3	Screw, 3/8 - 16 x 1"	1	J0606	J0606
4	Hex nut, 3/8" - 16	1	J1020	J1020
5	Lock washer, 3/8"	1	J1205	J1205

SWSW0203
05/31/2018 RTO

REF. #	DESCRIPTION	QTY.	10" PART #
1	Bearing support bracket	1	E60912
2	Bearing support stiffener	1	E60913
3	Bearing keeper	2	EU8204
4	Bushing, wood, 1-1/4" ID	1	J0096
5	Screw, 3/8 - 16 x 1-1/2"	2	J0627
6	Lock nut, 3/8" - 16	2	J1025
7	Flat washer, 3/8"	2	J1117



SWSW0231
01/03/2020 RTO



QUICK REFERENCE PARTS LISTS

OPTIONAL - FARM-DUTY MOTORS (1750)

HP	PH	FRAME	SHAFT	LBS.	PART #
2	1	E182T	1-1/8"	67	H2175
	3	F145T	7/8"	50	H2475
3	1	J184T	1-1/8"	113	H2845
	3	E182T	1-1/8"	60	H3345
5	1	L184T	1-1/8"	122	H3675
	3	F184T	1-1/8"	72	H4190
7.5	1	K215T	1-3/8"	130	H4900
	3	213T	1-3/8"	84	H4910
10	1	215T	1-3/8"	143	H5300
	3	215T	1-3/8"	94	H5310
15	3	254T	1-5/8"	141	H6110
20	3	256T	1-5/8"	188	H6610

All motors are TEFC (Totally enclosed, fan cooled).

MOTOR PULLEYS

DIA.	BORE	GROOVE	SINGLE	DOUBLE	TRIPLE
3-1/2" OD	5/8"	B	J0309	---	---
	7/8"	B	J0310	J0315	---
	1-1/8"	B	J0312	J0317	---
	1-3/8"	B	J0313	J0318	J0331
3-3/4" OD	1-5/8"	B	---	J03211*	J0332*

*Requires split-taper bushing to obtain bore size. Order "SH" for 3-3/4".

SPLIT TAPER BUSHINGS

BUSHING	1-1/8" BORE	1-3/8" BORE	1-5/8" BORE	1-7/8" BORE
SD	J04191	J04264	J04263	J04284
SDS	J04194	J04241	---	---
SH	---	---	J04242	---

HORIZONTAL POWERHEAD SAFETY SHIELD KITS

UNLOAD TUBE DIA.	DESCRIPTION	PART #
6" & 8"	Std. enclosed shield, w/ brackets	E5982
10"	Std. enclosed shield, w/ brackets	E5983

REPLACEMENT VERTICAL FLIGHTING, SHAFTS & TUBES -- STANDARD BOTTOM DRIVE

NOTE: Vertical flight numbers include flinger and top and bottom shafts.

FLIGHTING FOR VERTICAL AUGER

DESCRIPTION	6" PART #	8" PART #	10" PART #
14' w/ dbl flight, 1"	E5806	-----	-----
14' w/ dbl flight, 1-1/4"	-----	E58071	E5783
16' w/ dbl flight, 1"	E5846	-----	-----
16' w/ dbl flight, 1-1/4"	-----	E5847	E57833
18' w/ dbl flight, 1"	E5848	-----	-----
18' w/ dbl flight, 1-1/4"	-----	E5849	E57832
20' w/ dbl flight, 1-1/4"	-----	E58541	E57837

VERTICAL TOP SHAFT

DESCRIPTION	6" PART #	8" PART #	10" PART #
1 x 12-1/8" w/ hole	E58091	-----	-----
1 x 10" w/ hole (Pre-1990)	E5809	E5809	-----
1 5/8 x 13-5/8" w/ hole (Pre-1990)	-----	-----	E58241
1-1/4 x 12-3/8" w/ hole	-----	E97711	-----
1 x 1-1/4 x 12-3/8" repl. w/ hole	-----	E9753	-----
2" x 15-5/8" w/ hole (1998)	-----	-----	E58243
Flinger	E5416	E5689	E5689

BOTTOM SHAFT

DESCRIPTION	6" PART #	8" PART #	10" PART #
1 x 10-7/8" w/ keyway	E58081	-----	-----
1 x 14-1/4" w/ keyway (Prior 1990)	E5808	E5808	
1-1/4 x 12-1/8" w/ keyway	-----	E9751	-----
1 x 1-1/4 x 10-1/8" repl. w/ keyway	-----	E9752	-----
2 x 1-1/4 x 13-7/8" w/ keyway (1998)	-----	-----	E58252

GALVANIZED TUBE

DESCRIPTION	6" PART #	8" PART #	10" PART #
10' long for 14' vertical auger	E5804	E5805	E57842
8' long for 14' vertical auger	-----	-----	E5784
12' long for 16' vertical auger	E5842	E5843	E57841
14' long for 18' vertical auger	E5844	E5845	E57843
16' long for 20' vertical auger	F4801	F4915	-----

UNLOAD AUGER FLIGHTING

6" SWEEPWAY

BIN DIAMETER	PART #
*15'-15' 6"	E6430
16' 5" (5M)	E64301
*18'-18' 7"	E6431
19' 8" (6M)	E64310
*21'-21' 8"	E6432
22' 11" (7M)	E64320
*24'-24' 9"	E6433
26' 3" (8M)	E64331
*27'-27' 10"	E6434
29' 6" (9M)	E64341
*30'-31'	E6435
*33'-34'	E6436
36' (11M)	E6417
37' 1"	E6437

* In larger bin dia. listed, use E5328 adapter to extend sweep.

8" SWEEPWAY

BIN DIA.	PART #	PART #
*15'-15' 6"	-	E6450
16' 5" (5M)	-	E6449
*18'-18' 7"	-	E6451
19' 8" (6M)	-	E64510
*21'-21' 8"	-	E6452
22' 11" (7M)	-	E64521
*24'-24' 9"	-	E6453
26' 3" (8M)	-	E64531
*27'-27' 10"	-	E6454
29' 6" (9M)	-	E64541
*30'-31'	-	E6455
*33'-34'	-	E6456
36' (11M)	-	E6457
37' 1"	-	E6457
42'	E6472	E64582
42' 8" (13M)	E6472	E64584
43' 3"	E6472	E64591
48'	E6472	E64602
49' 3" (15M)	E6472	E64611
54'	E6472	E64621
55' 8"	E6472	E64631
60'	E6472	E64641
61' 10"	E6472	E64651

* In larger bin dia. listed, use E5328 adapter to extend sweep.

10" SWEEPWAY

BIN DIA.	PART #	PART #
*21'-21' 8"	-	E6482
22' 11" (7M)	-	E64821
*24'-24' 9"	-	E6483
26' 3" (8M)	-	E64831
*27'-27' 10"	-	E6484
29' 6" (9M)	-	E64841
*30'-31'	-	E6485
*33'-34'	E6497	E64861
36' (11M)	E6497	E64871
37' 1"	E6497	E64871
42'	E6497	E64883
42' 8" (13M)	E6497	E64884
43' 3"	E6497	E64891
48'	E6497	E64901
49' 3" (15M)	E6497	E64911
54'	E6497	E64922
55' 8"	E6497	E64932
60'	E6497	E64941
61' 10"	E6497	E64951

* In larger bin dia. listed, use E5328 adapter to extend sweep.

SWEEP AUGER REPLACEMENT PARTS

Tables below show replacement auger part numbers & lengths. Backboard Assy. includes backboard, auger, torsion tube & hardware. Sections are numbered from middle of bin to sidewall.

BIN DIA	Backboard Assy.	1st Auger	Length	2nd Auger	Length	3rd Auger	Length	4th Auger	Length	5th Auger	Length
15'	E10815	E11886	67"								
18'	E10818	E11885	85"								
21'	E10821	E11883	31"	E11880	70-1/2"						
24'	E10824	E11884	49"	E11880	70-1/2"						
27'	E10827	E11883	31"	E11880	70-1/2"	E11882	34-1/2"				
30'	E10830	E11884	49"	E11880	70-1/2"	E11882	34-1/2"				
33'	E10833	E11883	31"	E11880	70-1/2"	E11880	70-1/2"				
36'	E10836	E11884	49"	E11880	70-1/2"	E11880	70-1/2"				
42'	E10842	E11881	47-1/2"	E11880	70-1/2"	E11880	70-1/2"	E11882	34-1/2"		
48'	E10848	E11881	47-1/2"	E11880	70-1/2"	E11880	70-1/2"	E11880	70-1/2"		
54'	E10854	E11881	47-1/2"	E11880	70-1/2"	E11880	70-1/2"	E11880	70-1/2"	E11882	34-1/2"
60'	E10860	E11881	47-1/2"	E11880	70-1/2"	E11880	70-1/2"	E11880	70-1/2"	E11880	70-1/2"

Replacement augers for 8" Sweepways

BIN DIA	Backboard Assy.	1st Auger	Length	2nd Auger	Length	3rd Auger	Length	4th Auger	Length	5th Auger	Length
24'	E10024	EU8205	49-1/2"	EU8222	69-1/2"						
27'	E10027	EU8260	31-1/2"	EU8222	69-1/2"	EU8221	33-1/2"				
30'	E10030	EU8205	49-1/2"	EU8222	69-1/2"	EU8221	33-1/2"				
33'	E10033	EU8260	31-1/2"	EU8222	69-1/2"	EU8222	69-1/2"				
36'	E10036	EU8205	49-1/2"	EU8222	69-1/2"	EU8222	69-1/2"				
42'	E10042	EU8205	49-1/2"	EU8222	69-1/2"	EU8222	69-1/2"	EU8221	33-1/2"		
48'	E10048	EU8205	49-1/2"	EU8222	69-1/2"	EU8222	69-1/2"	EU8222	69-1/2"		
54'	E10054	EU8205	49-1/2"	EU8222	69-1/2"	EU8222	69-1/2"	EU8222	69-1/2"	EU8221	33-1/2"
60'	E10060	EU8205	49-1/2"	EU8222	69-1/2"	EU8222	69-1/2"	EU8222	69-1/2"	EU8222	69-1/2"

Replacement augers for 10" Sweepways

NOTES



Contact Information

CONTACT INFORMATION

Owner's manuals are available from Sukup and additional copies can be requested at the address, phone number or e-mail address shown below. Please indicate manual number L1435 when requesting Sweepway Owner's Installation & Operation Manual.

Sukup Dealer Information

Dealer name: _____
Address: _____
Cell phone: _____
Office phone: _____
Fax: _____

In Case of Emergency

Have emergency numbers and written directions to your location near a phone, and arrange and practice a safety plan.

Ambulance • Fire • Police: 9-1-1
Bin rescue team: _____
Local EMS team: _____
911 address of work site: _____
Directions to work site: _____

**Sukup Manufacturing Co.****1555 255th Street, Box 677****Sheffield, Iowa, USA 50475-0677****Phone: 641-892-4222****Fax: 641-892-4629****Website: www.sukup.com****Email: info@sukup.com**