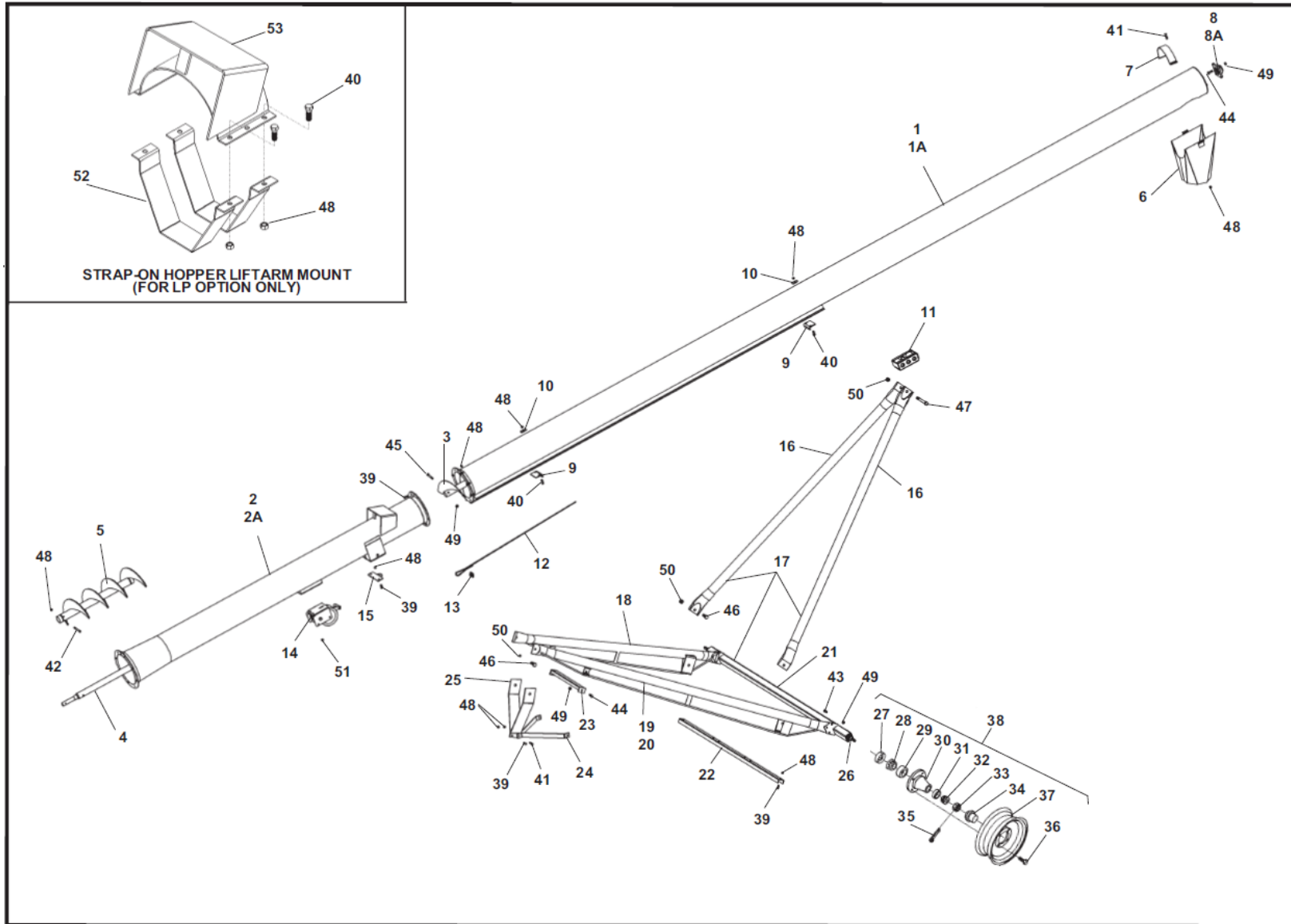


**MK AUGER
BOOT / HOPPER / LIFT CYLINDER**

| Description | Page |
|--|--------|
| MK100 x 36' basic auger..... | H2-3 |
| MK80 - MK100 x 51' basic auger w/inset..... | H4-5 |
| MK80 - MK100 x 61' basic auger w/inset..... | H6-7 |
| MK80 - MK100 x 71' basic auger w/inset..... | H8-9 |
| MK100 x 81' basic auger..... | H10-11 |
| MK130 - MK130 ^{PLUS} x 61' basic auger | H12-13 |
| MK130 - MK130 ^{PLUS} x 71' basic auger | H14-15 |
| MK130 - MK130 ^{PLUS} x 81' basic auger | H16-17 |
| MK100 - MK130 - MK130 ^{PLUS} x 91' - 111' basic tube | H18-19 |
| MK100 - MK130 x 91' - 111' basic frame | H20-21 |
| MK80 - MK100 - MK130 - MK130 ^{PLUS} swing hopper..... | H22 |
| MK100 - MK130 low profile hopper | H23 |
| MK80 - MK100 - MK130 - MK130 ^{PLUS} boot/hopper lift assembly | H24 |
| Lift cylinders for 1990/1991 and later | H25 |
| MK reverser..... | H26 |
| MK Right Angle Drive | H27 |
| MK Speed Reducer..... | H28 |

| | |
|-----------------------------------|---|
| MK AUGER AUGER / BOOT / HOPPER | H |
|-----------------------------------|---|

MK100 - 36' Basic Auger



H2

July-08

MK100 - 36' Basic Auger

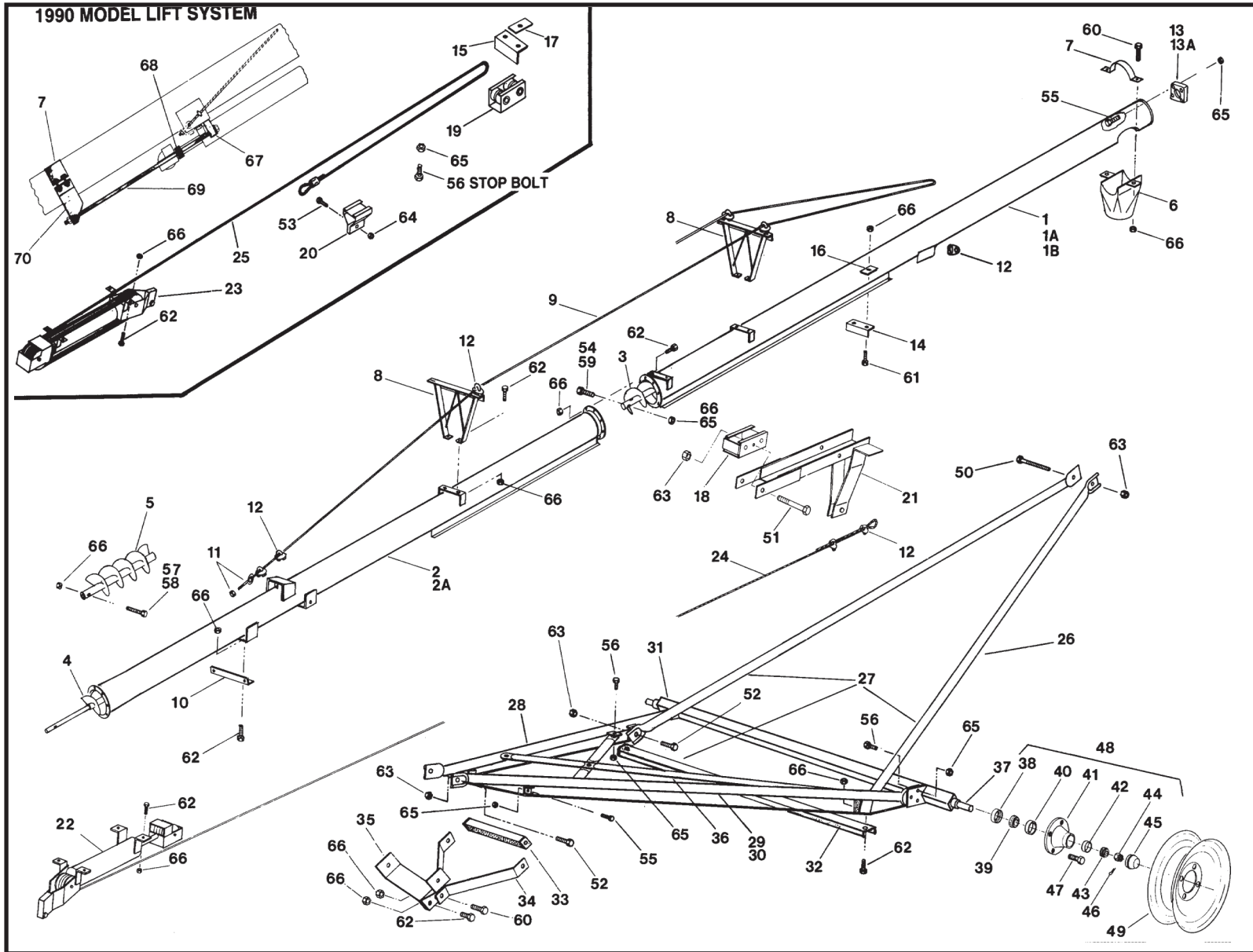
| REF. NO. | PART NO. | PARTS DESCRIPTION | REF. NO. | PART NO. | PARTS DESCRIPTION |
|----------|----------|--------------------------------------|----------|----------|---|
| 1 | 18881 | Upper tube section | 46 | 19592 | Bolt, 3/4" x 2", grade 5 |
| 1A | 18883 | Upper tube bundle, as shipped | 47 | 19593 | Bolt, 3/4" x 6-1/2", grade 5 |
| 2 | 28275 | Lower tube section | 48 | 19598 | Locknut, 7/16" |
| 2A | 28274 | Lower tube bundle, as shipped | 49 | 19599 | Locknut, 1/2" |
| 3 | 18889 | Upper flight section | 50 | 19601 | Locknut, 3/4" |
| 4 | 18911 | Lower flight section | 51 | 19596 | Whiznut, 3/8" |
| 5 | 18921 | Intake flight section | | | |
| 6 | 18029 | Spout, less halfband | | | |
| 7 | 19801 | Halfband | | | |
| 8 | 19567 | 1-1/4" Bearing, 4-bolt | | | |
| 8A | 18852 | 1-1/4" Bearing, less flage | | | |
| 9 | 18762 | Track stop | 52 | 17340 | FORLPOPTION ONLY: WR100 over track clamp |
| 10 | 17182 | Track washer, 7/16" | 53 | 17366 | MK100 strap on lift mount |
| 11 | 18763 | Roller track shoe | | | |
| 12 | 19248 | 1/4" Cable, 34'6" long | | | |
| 13 | 19147 | 1/4" Cable clamp | | | |
| 14 | 19152 | Winch, K1500 | | | |
| 15 | 28283 | Cable anchor return bracket | | | |
| 16 | 28280 | Upper lift tube, left or right | | | |
| 17 | 28279 | Upper lift bundle, as shipped | | | |
| 18 | 28277 | Lower reach tube, left | | | |
| 19 | 28278 | Lower reach tube, right | | | |
| 20 | 28276 | Lower reach frame bundle, as shipped | | | |
| 21 | 18090 | Axle, w/ spindle, nuts, cotter pin | | | |
| 22 | 19376 | Crossmember | | | |
| 23 | 18914 | Short crossmember | | | |
| 24 | 18908 | Stabilizer brace | | | |
| 25 | 18909 | Stabilizer bracket | | | |
| 26 | 19263 | Weld on spindle | | | |
| 27 | 19264 | Seal | | | |
| 28 | 19265 | Large bearing, Timken #LM 67048 | | | |
| 29 | 19266 | Large cup, Timken #LM 67010 | | | |
| 30 | 19267 | Hub w/cups | | | |
| 31 | 19268 | Small cup, Timken #LM 11910 | | | |
| 32 | 19269 | Small bearing, Timken #LM 11949 | | | |
| 33 | 19270 | Slotted nut, 3/4-16 | | | |
| 34 | 19272 | Dust cap | | | |
| 35 | 19271 | Cotter pin, 1/8 x 1-1/2" | | | |
| 36 | 19273 | Wheel bolt, 1/2-20 x 1" | | | |
| 37 | 19261 | Wheel, 15", 4 bolt | | | |
| 38 | 19467 | Hub assembly, complete | | | |
| 39 | 19542 | Bolt, 7/16" x 1", grade 5 | | | |
| 40 | 18698 | Bolt, 7/16" x 1-1/4", grade 5 | | | |
| 41 | 19981 | Bolt, 7/16" x 1-3/4", grade 5 | | | |
| 42 | 19547 | Bolt, 7/16" x 3-1/2", grade 5 | | | |
| 43 | 19588 | Bolt, 1/2" x 1-1/4", grade 5 | | | |
| 44 | 19589 | Bolt, 1/2" x 1-1/2", grade 2 | | | |
| 45 | 19798 | Bolt, 1/2" x 2-3/4", grade 8 | | | |

July-08

H3

MK80 / MK100 - 51 Basic Auger

NOTE: Lift system for 1990 models shown in inset



H4

July-08

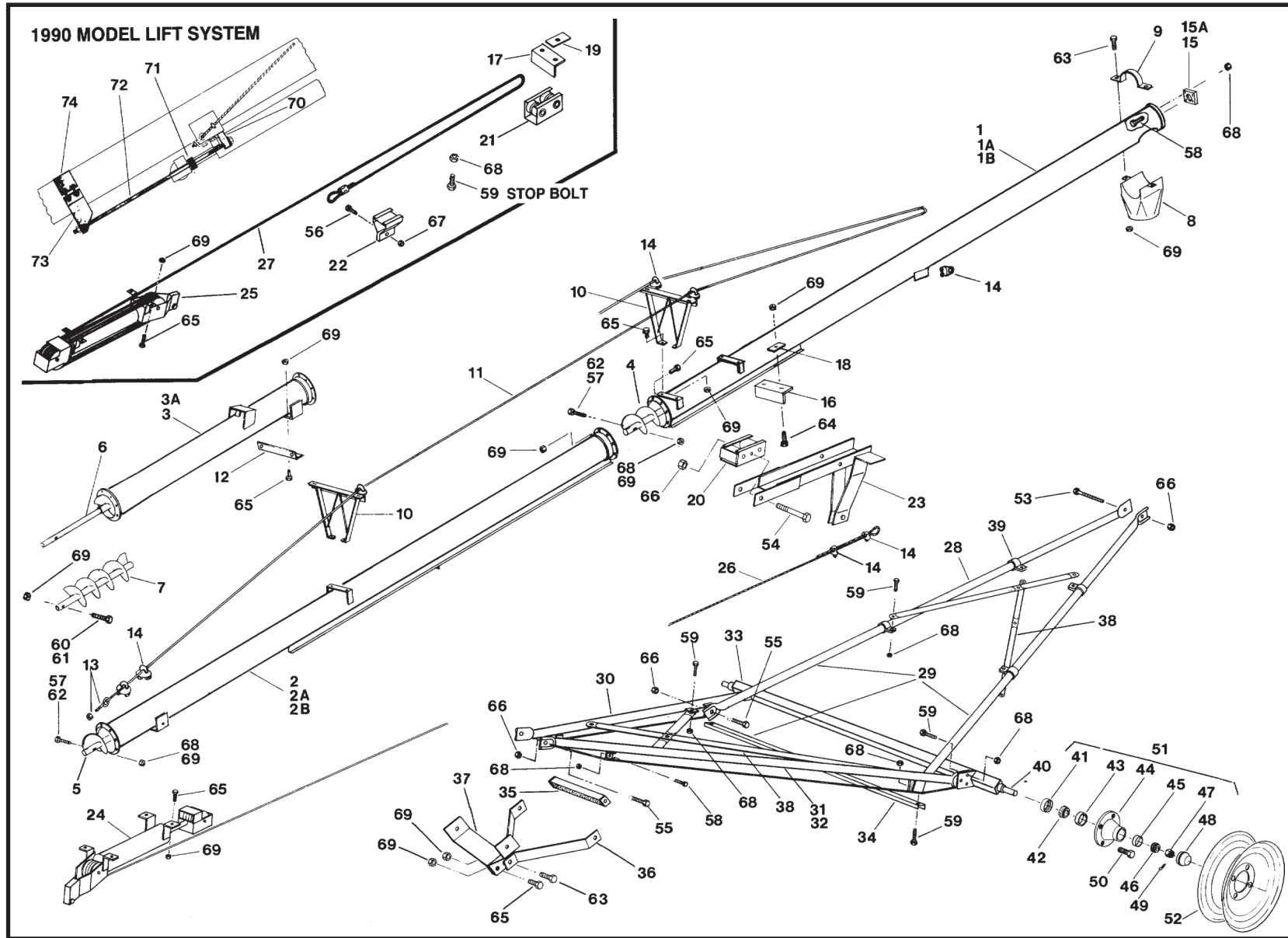
MK80 / MK100 - 51' Basic Auger

| REF. NO. | PART NO. | | PART DESCRIPTION |
|----------|--------------|--------------|---|
| | MK80 | MK100 | |
| 1 | 18880 | 18881 | Upper tube section |
| 1A | 18882 | 18883 | Upper tube bundle, as shipped |
| 1B | 18892 | 18893 | * 1990 Upper tube section |
| 2 | 18884 | 18885 | Lower tube section |
| 2A | 18886 | 18887 | Lower tube bundle, as shipped |
| 3 | 18888 | 18889 | Upper flight section |
| 4 | 18890 | 18891 | Lower flight section |
| 5 | 18920 | 18921 | Boot flight section |
| 6 | 18028 | 18029 | Spout, less halfband |
| 7 | 19460 | 19801 | Halfband |
| 8 | 19324 | 19324 | Truss support bracket, low |
| 9 | 18826 | 18826 | Truss cable |
| 10 | 18031 | 18032 | Truss attach angle |
| 11 | 19331 | 19331 | Eyebolt w/nut |
| 12 | 19333 | 19333 | 5/16" cable clamp |
| 13 | 19567 | 19567 | 1-1/4" Bearing, 4 bolt |
| 13A | 18852 | 18852 | 1-1/4" Bearing, less flange |
| 14 | 18745 | 18745 | Track stop |
| 15 | 18795 | 18795 | * 1990 Track stop |
| 16 | 18917 | 18917 | Track stop washer |
| 17 | 18929 | 18929 | * 1990 Track stop washer |
| 18 | 18922 | 18922 | Track shoe |
| 19 | 18919 | 18919 | * 1990 Track shoe |
| 20 | 18918 | 18918 | * 1990 Slider track shoe |
| 21 | 18930 | 18930 | Lift assist bracket |
| 22 | 18033 | 18033 | Hydraulic cylinder w/pulleys & cable |
| 23 | 18764 | 18764 | * 1990 Hydraulic cylinder w/pulleys & cable |
| 24 | 18042 | 18042 | 5/16" Lift cable |
| 25 | 18189 | 18189 | * 1990 5/16" Lift cable |
| 26 | 19792 | 19792 | Upper lift tube, left or right |
| 27 | 19793 | 19793 | Upper lift bundle, as shipped |
| 28 | 19789 | 19789 | Lower reach tube, left |
| 29 | 19790 | 19790 | Lower reach tube, right |
| 30 | 19791 | 19791 | Lower reach frame bundle, as shipped |
| 31 | 18090 | 18090 | Axle w/spindle, nuts, cotter pin |
| 32 | 19376 | 19376 | Cross member |
| 33 | 18914 | 18914 | Short cross member |
| 34 | 18908 | 18908 | Stabilizer brace |
| 35 | 18909 | 18909 | Stabilizer bracket |
| 36 | 19796 | 19796 | Cross brace |
| 37 | 19263 | 19263 | Weld on spindle |
| 38 | 19264 | 19264 | Seal |
| 39 | 19265 | 19265 | Large bearing, Timken no. LM67048 |
| 40 | 19266 | 19266 | Large cup, Timken no. LM67010 |

| REF. NO. | PART NO. | | PART DESCRIPTION |
|----------|--------------|--------------|---|
| | MK80 | MK100 | |
| 41 | 19267 | 19267 | Hub w/cups |
| 42 | 19268 | 19268 | Small cup. Timken no. LM11910 |
| 43 | 19269 | 19269 | Small bearing, Timken no. LM11949 |
| 44 | 19270 | 19270 | Slotted nut, 3/4" - 16 |
| 45 | 19272 | 19272 | Dust cap |
| 46 | 19271 | 19271 | Cotter pin, 1/8" x 1-1/2" |
| 47 | 19273 | 19273 | Wheel bolt, 1/2" - 20 x 1-1/4" |
| 48 | 19467 | 19467 | Hub assembly, complete |
| 49 | 19261 | 19261 | 15" Wheel, 4 bolt |
| 50 | 18094 | 18094 | Bolt, 3/4" - 10 x 7-1/2", grade 5 |
| 51 | 19593 | 19593 | Bolt, 3/4" - 10 x 6-1/2", grade 5 |
| 52 | 19592 | 19592 | Bolt, 3/4" - 10 x 2", grade 5 |
| 53 | 19991 | 19991 | Bolt, 5/8" - 11 x 2", grade 5 |
| 54 | — | 19798 | Bolt, 1/2" - 13 x 2-3/4", grade 8 |
| 55 | 19589 | 19589 | Bolt, 1/2" - 13 x 1-1/2", grade 2 |
| 56 | 19588 | 19588 | Bolt, 1/2" - 13 x 1-1/4", grade 5 |
| 57 | — | 19547 | Bolt, 7/16" - 14 x 3-1/2", grade 5 |
| 58 | 19546 | — | Bolt, 7/16" - 14 x 3", grade 5 |
| 59 | 19545 | — | Bolt, 7/16" - 14 x 2-1/4", grade 8 |
| 60 | 19981 | 19981 | Bolt, 7/16" - 14 x 1-3/4", grade 5 |
| 61 | 18698 | 18698 | Bolt, 7/16" - 14 x 1-1/4", grade 5 |
| 62 | 19542 | 19542 | Bolt, 7/16" - 14 x 1", grade 5 |
| 63 | 19601 | 19601 | Locknut, 3/4" - 10 |
| 64 | 19600 | 19600 | Locknut, 5/8" - 11 |
| 65 | 19599 | 19599 | Locknut, 1/2" - 13 |
| 66 | 19598 | 19598 | Locknut, 7/16" - 14 |
| 67 | 18925 | 18925 | * 1990 Upper rod guide bracket |
| 68 | 18927 | 18927 | * 1990 Ram guide clamp |
| 69 | 18928 | 18928 | * 1990 Guide rod |
| 70 | 18926 | 18846 | * 1990 Lower rod guide bracket |
| 71 | 17040 | 17041 | * 1990 Rod guide half clamp |
| | | | * NOTE: SOME OF THE LIFT SYSTEM AND TUBE SECTION PARTS ARE DIFFERENT FOR THE 1990 MODEL MK AUGERS. THESE PARTS ARE IDENTIFIED WITH AN ASTERISK *. |

MK80 / MK100 - 61 Basic Auger

NOTE: Lift system for 1990 models shown in inset



H6

July-08

MK80 / MK100 – 61' Basic Auger

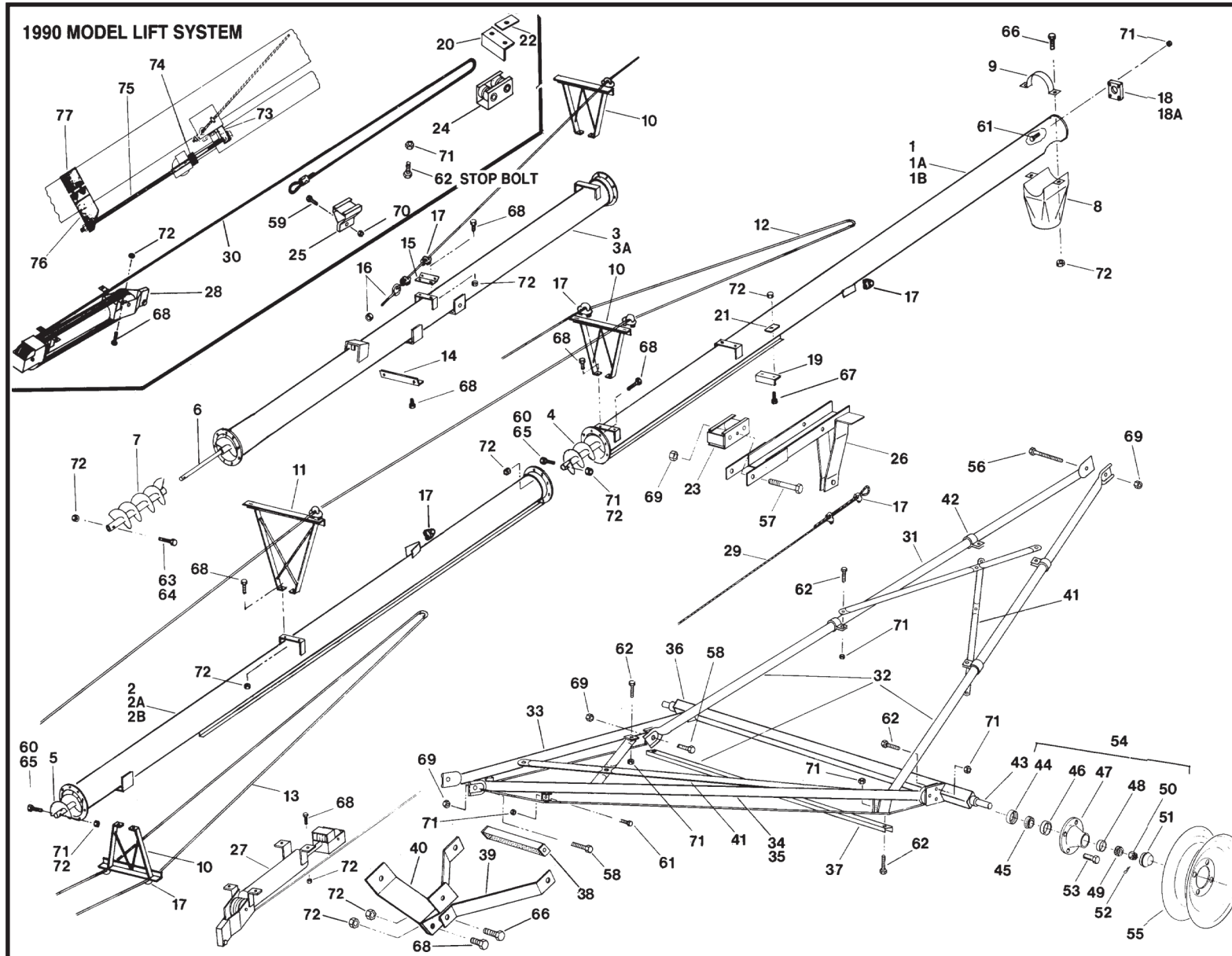
| REF. NO. | PART NO. | | PART DESCRIPTION |
|----------|----------|-------|---|
| | MK80 | MK100 | |
| 1 | 18880 | 18881 | Upper tube section |
| 1A | 18882 | 18883 | Upper tube bundle, as shipped |
| 1B | 18892 | 18893 | * 1990 Upper tube section |
| 2 | 18896 | 18897 | Middle tube section |
| 2A | 18898 | 18899 | Middle tube bundle, as shipped |
| 2B | 18894 | 18895 | * 1990 Middle tube section |
| 3 | 18900 | 18901 | Lower tube section |
| 3A | 18902 | 18903 | Lower tube bundle, as shipped |
| 4 | 18888 | 18889 | Upper flight section |
| 5 | 19552 | 19757 | Middle flight section |
| 6 | 18910 | 18911 | Lower flight section |
| 7 | 18920 | 18921 | Boot flight section |
| 8 | 18028 | 18029 | Spout less halfband |
| 9 | 19460 | 19801 | Halfband |
| 10 | 19324 | 19324 | Truss support bracket, low |
| 11 | 18854 | 18854 | Truss cable |
| 12 | 18031 | 18032 | Truss attach angle |
| 13 | 19331 | 19331 | Eye bolt w/nut |
| 14 | 19333 | 19333 | 5/16" Cable clamp |
| 15 | 19567 | 19567 | 1-1/4" Bearing, 4 bolt |
| 15A | 18852 | 18852 | 1-1/4" Bearing, less flange |
| 16 | 18745 | 18745 | Track stop |
| 17 | 18795 | 18795 | * 1990 Track stop |
| 18 | 18917 | 18917 | Track stop washer |
| 19 | 18929 | 18929 | * 1990 Track stop washer |
| 20 | 18922 | 18922 | Track shoe |
| 21 | 18919 | 18919 | * 1990 Track shoe |
| 22 | 18918 | 18918 | * 1990 Slider track shoe |
| 23 | 18930 | 18930 | Lift assist bracket |
| 24 | 18034 | 18034 | Hydraulic cylinder w/pulleys & cable |
| 25 | 18760 | 18760 | * 1990 Hydraulic cylinder w/pulleys & cable |
| 26 | 18043 | 18043 | 5/16" Lift cable |
| 27 | 18923 | 18923 | * 1990 5/16" Lift cable |
| 28 | 19524 | 19524 | Upper lift tube, left or right |
| 29 | 19534 | 19534 | Upper lift bundle, as shipped |
| 30 | 19358 | 19358 | Lower reach tube, left |
| 31 | 19359 | 19359 | Lower reach tube, right |
| 32 | 19369 | 19369 | Lower reach frame bundle, as shipped |
| 33 | 19342 | 19342 | Axle w/spindle, nuts, cotter pin |
| 34 | 19378 | 19378 | Cross member |
| 35 | 18914 | 18914 | Short cross member |
| 36 | 18916 | 18916 | Stabilizer brace |
| 37 | 18909 | 18909 | Stabilizer bracket |
| 38 | 19796 | 19796 | Cross brace |

| REF. NO. | PART NO. | | PART DESCRIPTION |
|----------|----------|-------|------------------------------------|
| | MK80 | MK100 | |
| 39 | 19797 | 19797 | Cross brace clamp |
| 40 | 19263 | 19263 | Weld on spindle |
| 41 | 19264 | 19264 | Seal |
| 42 | 19265 | 19265 | Large bearing, Timken no. LM67048 |
| 43 | 19266 | 19266 | Large cup, Timken no. LM67010 |
| 44 | 19267 | 19267 | Hub w/cups |
| 45 | 19268 | 19268 | Small cup, Timken no. LM11910 |
| 46 | 19269 | 19269 | Small bearing, Timken no. LM11949 |
| 47 | 19270 | 19270 | Slotted nut, 3/4" - 16 |
| 48 | 19272 | 19272 | Dust cap |
| 49 | 19271 | 19271 | Cotter pin, 1/8" x 1-1/2" |
| 50 | 19273 | 19273 | Wheel bolt, 1/2" - 20 x 1-1/4" |
| 51 | 19467 | 19467 | Hub assembly, complete |
| 52 | 19261 | 19261 | 15" wheel, 4 bolt |
| 53 | 18094 | 18094 | Bolt, 3/4" - 10 x 7-1/2", grade 5 |
| 54 | 19593 | 19593 | Bolt, 3/4" - 10 x 6-1/2", grade 5 |
| 55 | 19592 | 19592 | Bolt, 3/4" - 10 x 2", grade 5 |
| 56 | 19991 | 19991 | Bolt, 5/8" - 11 x 2", grade 5 |
| 57 | — | 19798 | Bolt, 1/2" - 13 x 2-3/4", grade 8 |
| 58 | 19589 | 19589 | Bolt, 1/2" - 13 x 1-1/2", grade 2 |
| 59 | 19588 | 19588 | Bolt, 1/2" - 13 x 1-1/4", grade 5 |
| 60 | — | 19547 | Bolt, 7/16" - 14 x 3-1/2", grade 5 |
| 61 | 19546 | — | Bolt, 7/16" - 14 x 3", grade 5 |
| 62 | 19545 | — | Bolt, 7/16" - 14 x 2-1/4", grade 8 |
| 63 | 19981 | 19981 | Bolt, 7/16" - 14 x 1-3/4", grade 5 |
| 64 | 18698 | 18698 | Bolt, 7/16" - 14 x 1-1/4", grade 5 |
| 65 | 19542 | 19542 | Bolt, 7/16" - 14 x 1", grade 5 |
| 66 | 19601 | 19601 | Locknut, 3/4" - 10 |
| 67 | 19600 | 19600 | Locknut, 5/8" - 11 |
| 68 | 19599 | 19599 | Locknut, 1/2" - 13 |
| 69 | 19598 | 19598 | Locknut, 7/16" - 14 |
| 70 | 18925 | 18925 | * 1990 Upper rod guide bracket |
| 71 | 18927 | 18927 | * 1990 Ram guide clamp |
| 72 | 18928 | 18928 | * 1990 Guide rod |
| 73 | 18926 | 18846 | * 1990 Lower rod guide bracket |
| 74 | 17040 | 17041 | * 1990 Rod guide half clamp |

*NOTE: SOME OF THE LIFT SYSTEM AND TUBE SECTION PARTS ARE DIFFERENT FOR THE 1990 MODEL MK AUGERS. THESE PARTS ARE IDENTIFIED WITH AN ASTERISK *.

MK80 / MK100 - 71 Basic Auger

NOTE: Lift system for 1990 models shown in inset



H8

July-08

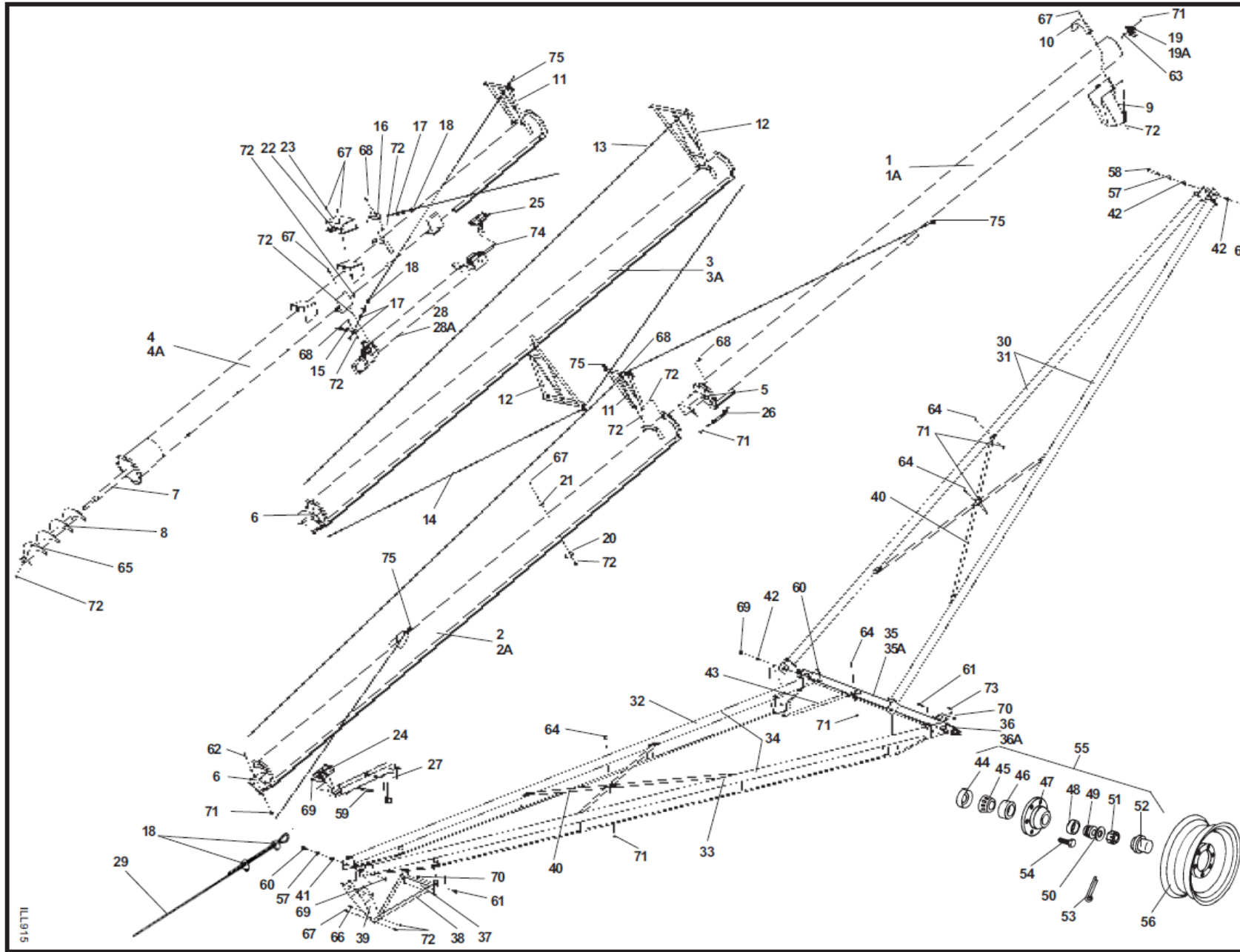
MK80 / MK100 – 71' Basic Auger

| REF. NO. | PART NO. | | PART DESCRIPTION |
|----------|----------|-------|---|
| | MK80 | MK100 | |
| 1 | 18880 | 18881 | Upper tube section |
| 1A | 18882 | 18883 | Upper tube bundle, as shipped |
| 1B | 18892 | 18893 | * 1990 Upper tube section |
| 2 | 18896 | 18897 | Middle tube section |
| 2A | 18898 | 18899 | Middle tube bundle, as shipped |
| 2B | 18894 | 18895 | * 1990 Middle tube section |
| 3 | 18904 | 18905 | Lower tube section |
| 3A | 18906 | 18907 | Lower tube bundle, as shipped |
| 4 | 18888 | 18889 | Upper flight section |
| 5 | 19552 | 19757 | Middle flight section |
| 6 | 18912 | 18913 | Lower flight section |
| 7 | 18920 | 18921 | Boot flight section |
| 8 | 18028 | 18029 | Spout less halfband |
| 9 | 19460 | 19801 | Halfband |
| 10 | 19324 | 19324 | Truss support bracket, low |
| 11 | 19325 | 19325 | Truss support bracket, high |
| 12 | 18855 | 18855 | Truss cable, upper |
| 13 | 17042 | 17042 | Truss cable, lower |
| 14 | 18031 | 18032 | Truss attach angle, lower |
| 15 | 19332 | 19332 | Truss attach angle, upper |
| 16 | 19331 | 19331 | Eye bolt w/nut |
| 17 | 19333 | 19333 | 5/16" cable clamp |
| 18 | 19567 | 19567 | 1-1/4" Bearing, 4 bolt |
| 18A | 18852 | 18852 | 1-1/4" Bearing, less flange |
| 19 | 18745 | 18745 | Track stop |
| 20 | 18795 | 18795 | * 1990 Trackstop |
| 21 | 18917 | 18917 | Track stop washer |
| 22 | 18929 | 18929 | * 1990 Track stop washer |
| 23 | 18922 | 18922 | Track shoe |
| 24 | 18919 | 18919 | * 1990 Track shoe |
| 25 | 18918 | 18918 | * 1990 Slider track shoe |
| 26 | 18930 | 18930 | Lift assist bracket |
| 27 | 18035 | 18035 | Hydraulic cylinder w/pulleys & cable |
| 28 | 18761 | 18761 | * 1990 Hydraulic cylinder w/pulleys & cable |
| 29 | 18044 | 18044 | 5/16" Lift cable |
| 30 | 18924 | 18924 | * 1990 5/16" Lift cable |
| 31 | 19525 | 19525 | Upper lift tube, left or right |
| 32 | 19535 | 19535 | Upper lift bundle, as shipped |
| 33 | 19360 | 19360 | Lower reach tube, left |
| 34 | 19361 | 19361 | Lower reach tube, right |
| 35 | 19370 | 19370 | Lower reach frame bundle, as shipped |
| 36 | 19343 | 19343 | Axle w/spindle, nuts, coffer pin |
| 37 | 19379 | 19379 | Cross member |
| 38 | 18914 | 18914 | Short cross member |

| REF. NO. | PART NO. | | PART DESCRIPTION |
|----------|----------|-------|------------------------------------|
| | MK80 | MK100 | |
| 39 | 18915 | 18915 | Stabilizer brace |
| 40 | 18909 | 18909 | Stabilizer bracket |
| 41 | 19796 | 19796 | Cross brace |
| 42 | 19797 | 19797 | Cross brace clamp |
| 43 | 19263 | 19263 | Weld on spindle |
| 44 | 19264 | 19264 | Seal |
| 45 | 19265 | 19265 | Large bearing, Timken no. LM67048 |
| 46 | 19266 | 19266 | Large cup, Timken no. LM67010 |
| 47 | 19267 | 19267 | Hub w/cups |
| 48 | 19268 | 19268 | Small cup, Timken no. LM11910 |
| 49 | 19269 | 19269 | Small bearing, Timken no. LM11949 |
| 50 | 19270 | 19270 | Slotted nut, 3/4" - 16 |
| 51 | 19272 | 19272 | Dust cap |
| 52 | 19271 | 19271 | Cotter pin, 1/8" x 1-1/2" |
| 53 | 19273 | 19273 | Wheel bolt, 1/2" - 20 x 1-1/4" |
| 54 | 19467 | 19467 | Hub assembly, complete |
| 55 | 19261 | 19261 | 15" Wheel, 4 bolt |
| 56 | 18094 | 18094 | Bolt, 3/4" -10 x 7-1/2", grade 5 |
| 57 | 19593 | 19593 | Bolt, 3/4" -10 x 6-1/2", grade 5 |
| 58 | 19592 | 19592 | Bolt, 3/4" - 10 x 2", grade 5 |
| 59 | 19991 | 19991 | Bolt, 5/8" - 11 x 2", grade 5 |
| 60 | — | 19798 | Bolt, 1/2" - 13 x 2-3/4", grade 8 |
| 61 | 19589 | 19589 | Bolt, 1/2" - 13 x 1-1/2", grade 2 |
| 62 | 19588 | 19588 | Bolt, 1/2" - 13 x 1-1/4", grade 5 |
| 63 | — | 19547 | Bolt, 7/16" - 14 x 3-1/2", grade 5 |
| 64 | 19546 | — | Bolt, 7/16" - 14 x 3", grade 5 |
| 65 | 19545 | — | Bolt, 7/16" - 14 x 2-1/4", grade 8 |
| 66 | 19981 | 19981 | Bolt, 7/16" - 14 x 1-3/4", grade 5 |
| 67 | 18698 | 18698 | Bolt, 7/16" - 14 x 1-1/4", grade 5 |
| 68 | 19542 | 19542 | Bolt, 7/16" - 14 x 1", grade 5 |
| 69 | 19601 | 19601 | Locknut, 3/4" - 10 |
| 70 | 19600 | 19600 | Locknut, 5/8" - 11 |
| 71 | 19599 | 19599 | Locknut, 1/2" - 13 |
| 72 | 19598 | 19598 | Locknut, 7/16" - 14 |
| 73 | 18925 | 18925 | * 1990 Upper rod guide bracket |
| 74 | 18927 | 18927 | * 1990 Ram guide clamp |
| 75 | 18928 | 18928 | * 1990 Guide rod |
| 76 | 18926 | 18846 | * 1990 Lower rod guide bracket |
| 77 | 17040 | 17041 | * 1990 Rod guide half clamp |

* NOTE: SOME OF THE LIFT SYSTEM AND TUBE SECTION PARTS ARE DIFFERENT FOR THE 1990 MODEL MK AUGERS. THESE PARTS ARE IDENTIFIED WITH AN ASTERISK *.

MK100 – 81' Basic Auger



H10

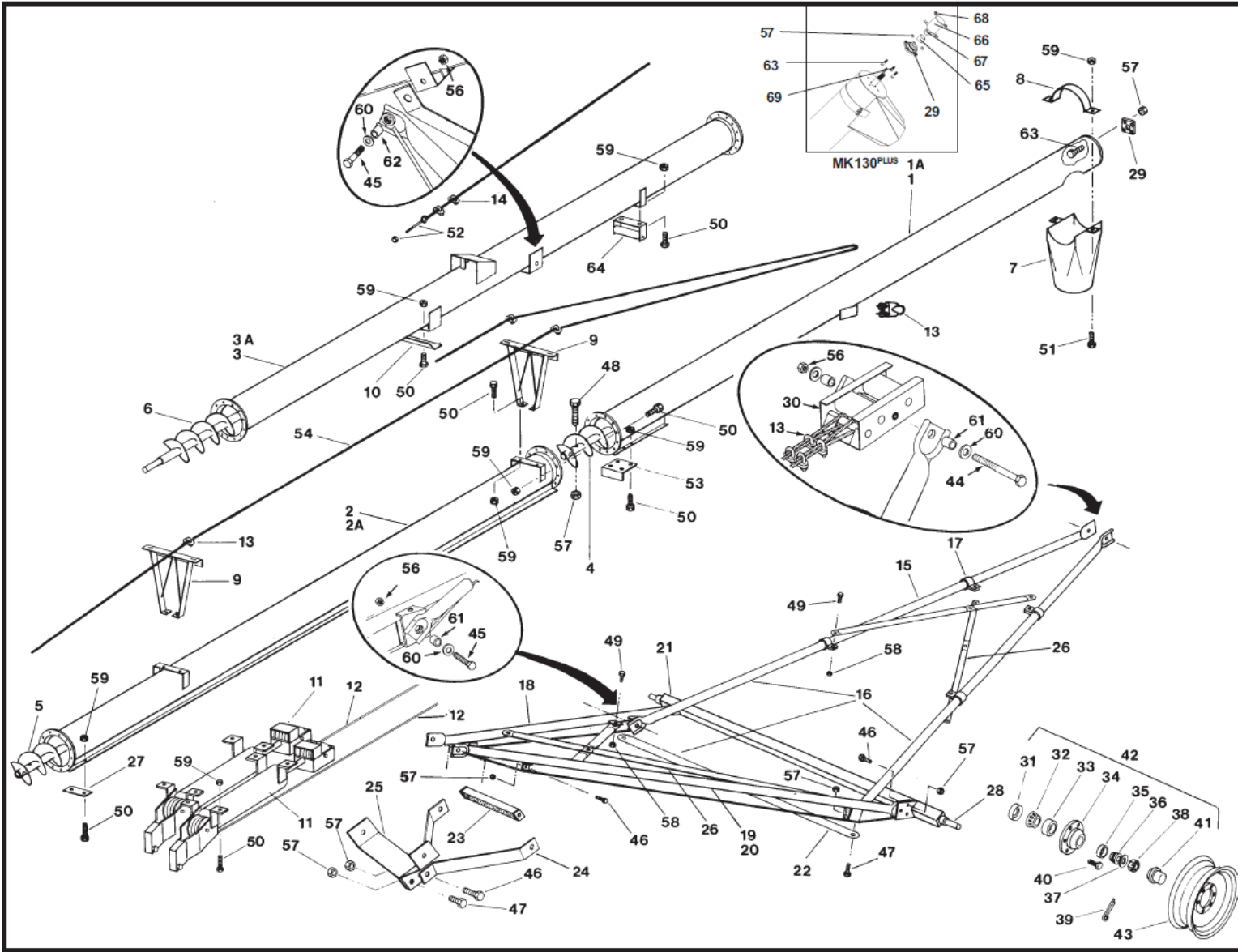
July-08

MK100 – 81' Basic Auger

| REF. NO. | PART NO. | PART DESCRIPTION |
|----------|--------------|--|
| 1 | 27495 | Upper tube section |
| 1A | 27510 | Upper tube bundle, as shipped |
| 2 | 27496 | Upper middle tube section |
| 2A | 27511 | Upper middle tube bundle, as shipped |
| 3 | 27497 | Lower middle tube section |
| 3A | 27512 | Lower middle tube bundle, as shipped |
| 4 | 27498 | Lower tube section |
| 4A | 27513 | Lower tube bundle, as shipped |
| 5 | 17587 | Upper flight section |
| 6 | 17588 | Middle flight section |
| 7 | 18913 | Lower flight section |
| 8 | 18921 | Boot flight section |
| 9 | 18029 | Spout less halfband |
| 10 | 19801 | Halfband |
| 11 | 19324 | Truss support bracket, low |
| 12 | 19325 | Truss support bracket, high |
| 13 | 27501 | Truss cable, upper |
| 14 | 27502 | Truss cable, lower |
| 15 | 18032 | Truss attach angle, lower |
| 16 | 19332 | Truss attach angle, upper |
| 17 | 19331 | Eye bolt w/nut |
| 18 | 18990 | 3/8" cable clamp |
| 19 | 19567 | 1-1/4" Bearing, 4 bolt |
| 19A | 18852 | 1-1/4" Bearing, less flange |
| 20 | 18745 | Track stop |
| 21 | 18917 | Track stop washer |
| 22 | 27522 | Lift arm extension bracket |
| 23 | 27488 | Lift arm extension |
| 24 | 18922 | Track shoe |
| 25 | 27486 | Ram guide |
| 26 | 27487 | Angle ring support |
| 27 | 18930 | Lift assist bracket |
| 28 | 27506 | Hydraulic cylinder w/pulleys & cable |
| 28A | 27505 | Hydraulic cylinder only |
| 29 | 27503 | 3/8" Lift cable |
| 30 | 27499 | Upper lift tube, left or right |
| 31 | 27515 | Upper lift bundle, as shipped |
| 32 | 27492 | Lower reach tube, left |
| 33 | 27491 | Lower reach tube, right |
| 34 | 27514 | Lower reach frame bundle, as shipped |
| 35 | 27489 | Axle base |
| 35A | 27523 | Axle bundle, as shipped, including ref #40 |
| 36 | 27490 | Axle extension |
| 36A | 27533 | Weld-on spindle |

| REF. NO. | PART NO. | PART DESCRIPTION |
|----------|--------------|------------------------------------|
| 37 | 27493 | Short cross member |
| 38 | 27504 | Stabilizer brace |
| 39 | 27494 | Stabilizer bracket |
| 40 | 27500 | Cross brace |
| 41 | 27507 | Bushing, lower reach arm |
| 42 | 27508 | Bushing, top/bottom upper arms |
| 43 | 17463 | Corner brace |
| 44 | 17006 | Seal |
| 45 | 17007 | Large bearing, Timken no. LM29749 |
| 46 | 17008 | Large cup, Timken no. LM29710 |
| 47 | 17009 | Hub w/cups |
| 48 | 19266 | Small cup, Timken no. LM67010 |
| 49 | 19265 | Small bearing, Timken no. LM67048 |
| 50 | 17010 | Washer |
| 51 | 17011 | Slotted nut, 1" |
| 52 | 17012 | Dust cap |
| 53 | 19271 | Cotter pin |
| 54 | 19273 | Wheel bolt, 1/2" - 20 x 1-1/4" |
| 55 | 17013 | Hub assembly, complete |
| 56 | 17014 | 15" Wheel, 6 bolt |
| 57 | 19979 | Washer, 3/4" |
| 58 | 27482 | Bolt, 3/4" - 10 x 8-1/2", grade 8 |
| 59 | 27483 | Bolt, 3/4" - 10 x 7-1/2", grade 8 |
| 60 | 19592 | Bolt, 3/4" - 10 x 2", grade 5 |
| 61 | 19991 | Bolt, 5/8" - 11 x 2", grade 5 |
| 62 | 19798 | Bolt, 1/2" - 13 x 2-3/4", grade 8 |
| 63 | 19589 | Bolt, 1/2" - 13 x 1-1/2", grade 2 |
| 64 | 19588 | Bolt, 1/2" - 13 x 1-1/4", grade 5 |
| 65 | 19547 | Bolt, 7/16" - 14 x 3-1/2", grade 5 |
| 66 | 19981 | Bolt, 7/16" - 14 x 1-3/4", grade 5 |
| 67 | 18698 | Bolt, 7/16" - 14 x 1-1/4", grade 5 |
| 68 | 19542 | Bolt, 7/16" - 14 x 1", grade 5 |
| 69 | 19601 | Locknut, 3/4" - 10 |
| 70 | 19600 | Locknut, 5/8" - 11 |
| 71 | 19599 | Locknut, 1/2" - 13 |
| 72 | 19598 | Locknut, 7/16" - 14 |
| 73 | 19648 | Saddle pin |
| 74 | 18079 | Roll pin, 5/16" x 2" |
| 75 | 19333 | 5/16" Cable clamp |

MK130/ MK130^{PLUS} - 61 Basic Auger



H12

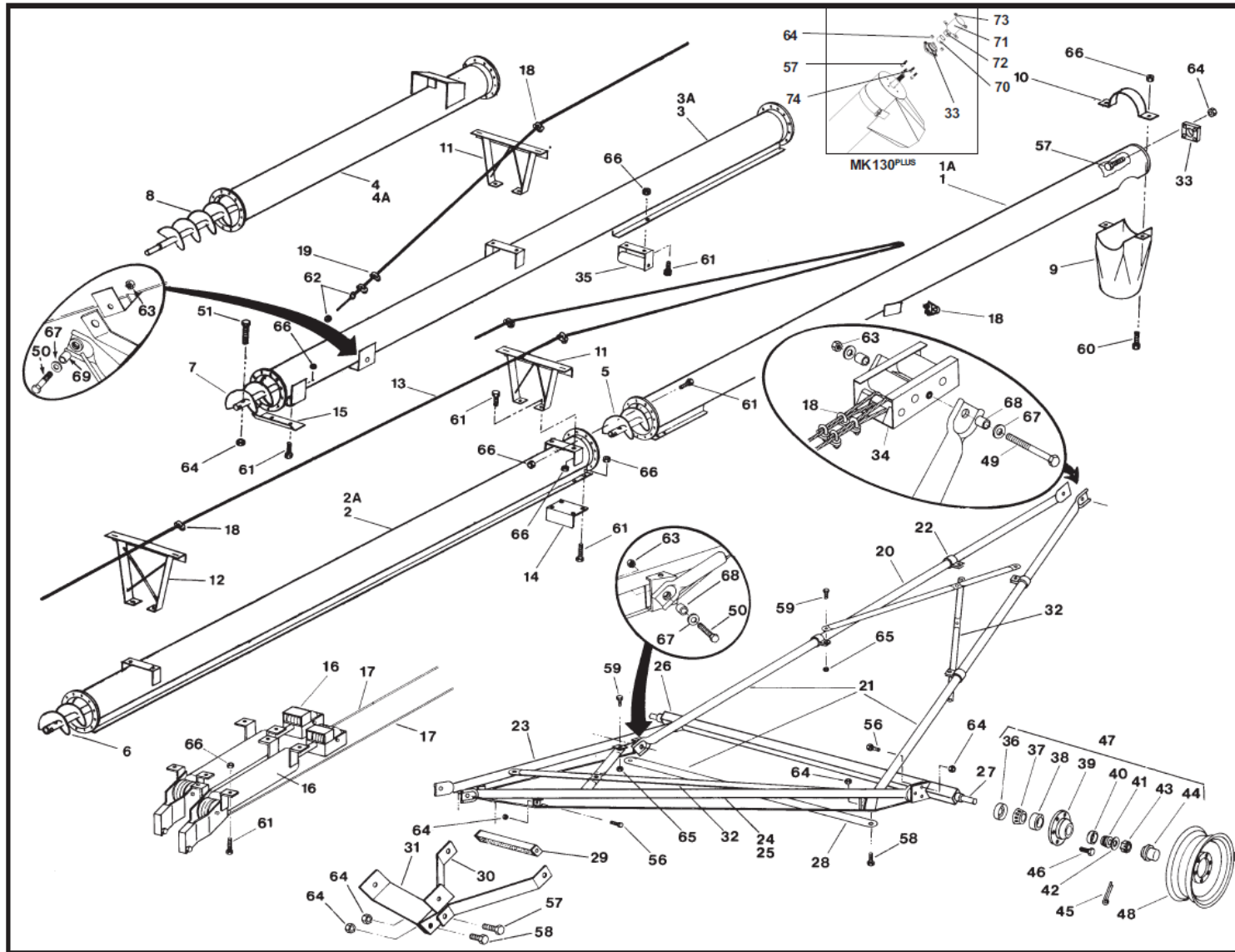
July-08

MK130/ MK130^{PLUS} – 61' Basic Auger

| REF. NO. | PART NO. | | PART DESCRIPTION |
|----------|----------|---------------------------|---------------------------------------|
| | MK130-61 | MK130 ^{PLUS} -61 | |
| 1 | 18977 | 18977 | Upper tube section |
| 1A | 18978 | 18978 | Upper tube bundle, as shipped |
| 2 | 18979 | 18979 | Middle tube section |
| 2A | 18980 | 18980 | Middle tube bundle, as shipped |
| 3 | 18981 | 18981 | Lower tube section |
| 3A | 18982 | 18982 | Lower tube bundle, as shipped |
| 4 | 18983 | 27591 | Upper flight section |
| 5 | 18984 | 18984 | Middle flight section |
| 6 | 18985 | 18985 | Lower flight section |
| 7 | 18986 | 18986 | Spout, less halfband |
| 8 | 18987 | 18987 | Tube halfband |
| 9 | 18988 | 18988 | Truss support bracket, low |
| 10 | 18989 | 18989 | Truss attach angle |
| 11 | 18034 | 18034 | Hydraulic cylinder, w/pulleys & cable |
| 12 | 18043 | 18043 | 5/16" Lift cable |
| 13 | 19333 | 19333 | 5/16" Cable clamp |
| 14 | 18990 | 18990 | 3/8" Cable clamp |
| 15 | 18991 | 18991 | Upper lift tube, left or right |
| 16 | 18992 | 18992 | Upper lift bundle, as shipped |
| 17 | 18993 | 18993 | Brace clamp |
| 18 | 18994 | 18994 | Lower reach tube, left |
| 19 | 18995 | 18995 | Lower reach tube, right |
| 20 | 18996 | 18996 | Lower reach frame bundle, as shipped |
| 21 | 18997 | 18997 | Axle w/spindle, nuts, cotter pin |
| 22 | 18998 | 18998 | Cross member |
| 23 | 18999 | 18999 | Short cross member |
| 24 | 17000 | 17000 | Stabilizer brace |
| 25 | 27546 | 27546 | Stabilizer bracket |
| 26 | 17002 | 17002 | Cross brace |
| 27 | 17003 | 17003 | Lower track stop |
| 28 | 17004 | 17004 | Weld on spindle |
| 29 | 18518 | 18518 | 1-3/4" bearing, 4 bolt |
| 30 | 17005 | 17005 | Track shoe |
| 31 | 17006 | 17006 | Seal |
| 32 | 17007 | 17007 | Large bearing, Timken no. LM29749 |
| 33 | 17008 | 17008 | Large cup, Timken no. LM29710 |
| 34 | 17009 | 17009 | Hub w/cups |
| 35 | 19266 | 19266 | Small cup, Timken no. LM67010 |
| 36 | 19265 | 19265 | Small bearing, Timken No. LM67048 |
| 37 | 17010 | 17010 | Washer |
| 38 | 17011 | 17011 | Slotted nut, 1" |
| 39 | 19271 | 19271 | Cotter pin, 1/8" x 1-1/2" |

| REF. NO. | PART NO. | | PART DESCRIPTION |
|----------|----------|---------------------------|------------------------------------|
| | MK130-61 | MK130 ^{PLUS} -61 | |
| 40 | 19273 | 19273 | Wheel bolt, 1/2" – 20 x 1-1/4" |
| 41 | 17012 | 17012 | Dust cap |
| 42 | 17013 | 17013 | Hub assembly, complete |
| 43 | 17014 | 17014 | 15" Wheel, 6 bolt |
| 44 | 17015 | 17015 | Bolt, 1" - 8 x 10", grade 8 |
| 45 | 17016 | 17016 | Bolt, 1" - 8 x 3-1/2", grade 8 |
| 46 | 19991 | 19991 | Bolt, 5/8" - 11 x 2", grade 5 |
| 47 | 19590 | 19590 | Bolt, 5/8" - 11 x 1-1/2", grade 5 |
| 48 | 18545 | 18545 | Bolt, 5/8" - 11 x 4-1/2", grade 8 |
| 49 | 19588 | 19588 | Bolt, 1/2" - 13 x 1-1/4", grade 5 |
| 50 | 18698 | 18698 | Bolt, 7/16" - 14 x 1-1/4", grade 5 |
| 51 | 19981 | 19981 | Bolt, 7/16" - 14 x 1-3/4", grade 5 |
| 52 | 19331 | 19331 | Eyebolt, 1/2" - 13 x 5" w/locknut |
| 53 | 17017 | 17017 | Trackstop |
| 54 | 17018 | 17018 | Truss cable |
| 56 | 17019 | 17019 | Locknut, 1" - 8 |
| 57 | 19600 | 19600 | Locknut, 5/8" - 11 |
| 58 | 19599 | 19599 | Locknut, 1/2" - 13 |
| 59 | 19598 | 19598 | Locknut, 7/16" - 14 |
| 60 | 17020 | 17020 | Flatwasher, 1" |
| 61 | 17021 | 17021 | Short spacer bushing |
| 62 | 17022 | 17022 | Long spacer bushing |
| 63 | 18544 | 18544 | Bolt, 5/8" - 11 x 1-3/4", grade 5 |
| 64 | 17024 | 17024 | Cable roller |
| 65 | --- | 27575 | Bushing, Thrust adjuster |
| 66 | --- | 27576 | Thrust adjuster cover |
| 67 | --- | 27587 | NF hex nut, 1-1/2" |
| 68 | --- | 27588 | 5/8" washer locknut |
| 69 | --- | 27589 | Bolt, 5/8" - 11 x 2-1/2", grade 5 |
| | | | |
| | | | |

MK130 / MK130^{PLUS} - 71 Basic Auger

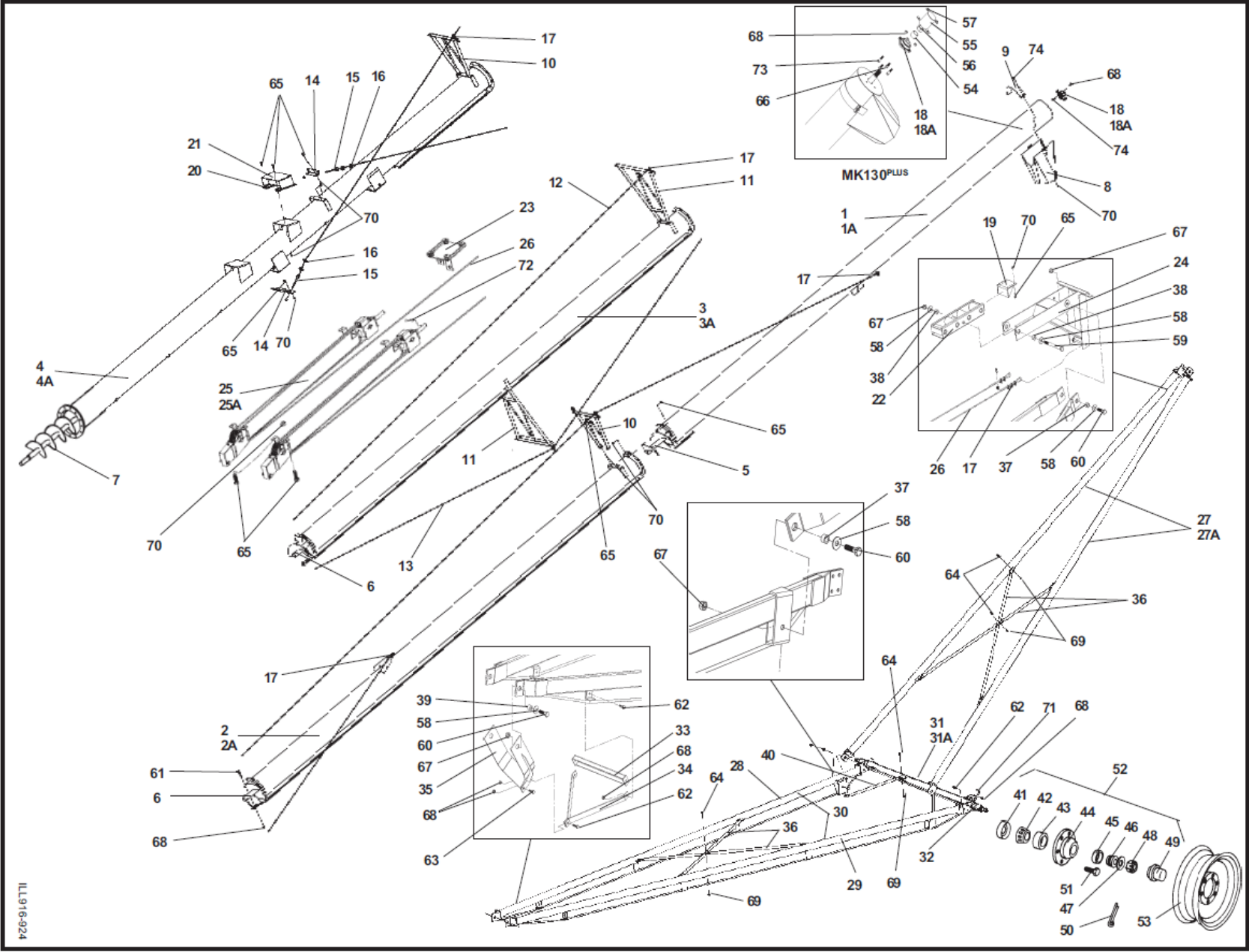


MK130 / MK130^{PLUS} - 71' Basic Auger

| REF. NO. | PART NO. | | PART DESCRIPTION |
|----------|----------|---------------------------|---------------------------------------|
| | MK130-71 | MK130 ^{PLUS} -71 | |
| 1 | 18977 | 18977 | Upper tube section |
| 1A | 18978 | 18978 | Upper tube bundle, as shipped |
| 2 | 18979 | 18979 | Middle tube section |
| 2A | 18980 | 18980 | Middle tube bundle, as shipped |
| 3 | 17025 | 17025 | Lower middle tube section |
| 3A | 17026 | 17026 | Lower middle tube bundle, as shipped |
| 4 | 17027 | 17027 | Lower tube section |
| 4A | 17028 | 17028 | Lower tube bundle, as shipped |
| 5 | 18983 | 27591 | Upper flight section |
| 6 | 18984 | 18984 | Middle flight section |
| 7 | 18984 | 18984 | Middle flight section |
| 8 | 17030 | 17030 | Lower flight section |
| 9 | 18986 | 18986 | Spout, less halfband |
| 10 | 18987 | 18987 | Tube halfband |
| 11 | 18988 | 18988 | Truss support bracket, low |
| 12 | 27534 | 27534 | Truss support bracket, high |
| 13 | 17032 | 17032 | Truss cable |
| 14 | 17017 | 17017 | Track stop |
| 15 | 18989 | 18989 | Truss attach angle |
| 16 | 18035 | 18035 | Hydraulic cylinder, w/pulleys & cable |
| 17 | 18044 | 18044 | 5/16" Lift cable |
| 18 | 19333 | 19333 | 5/16" Cable clamp |
| 19 | 18990 | 18990 | 3/8" Cable clamp |
| 20 | 17033 | 17033 | Upper lift tube, left or right |
| 21 | 17034 | 17034 | Upper lift bundle, as shipped |
| 22 | 18993 | 18993 | Brace clamp |
| 23 | 17035 | 17035 | Lower reach tube, left |
| 24 | 17036 | 17036 | Lower reach tube, right |
| 25 | 17037 | 17037 | Lower reach frame bundle, as shipped |
| 26 | 17038 | 17038 | Axle, w/spindles, nuts, cotter pins |
| 27 | 17004 | 17004 | Weld on spindle |
| 28 | 17039 | 17039 | Crossmember |
| 29 | 18999 | 18999 | Short crossmember |
| 30 | 17000 | 17000 | Stabilizer brace |
| 31 | 27546 | 27546 | Stabilizer bracket |
| 32 | 17002 | 17002 | Cross brace |
| 33 | 18518 | 18518 | 1-3/4" Bearing, 4 bolt |
| 34 | 17005 | 17005 | Track shoe |
| 35 | 17024 | 17024 | Cable roller |
| 36 | 17006 | 17006 | Seal |
| 37 | 17007 | 17007 | Large bearing, Timken no. LM29749 |
| 38 | 17008 | 17008 | Large cup, Timken no. LM29710 |
| 39 | 17009 | 17009 | Hub w/cups |

| REF. NO. | PART NO. | | PART DESCRIPTION |
|----------|----------|---------------------------|-------------------------------------|
| | MK130-71 | MK130 ^{PLUS} -71 | |
| 40 | 19266 | 19266 | Small cup, Timken no. LM67010 |
| 41 | 19265 | 19265 | Small bearing, Timken no. LM67048 |
| 42 | 17010 | 17010 | Washer |
| 43 | 17011 | 17011 | Slotted nut, 1" |
| 44 | 17012 | 17012 | Dust cap |
| 45 | 19271 | 19271 | Cotter pin |
| 46 | 19273 | 19273 | Wheel bolt 1/2" - 20 x 1-1/4" |
| 47 | 17013 | 17013 | Hub assembly, complete |
| 48 | 17014 | 17014 | 15" Wheel, 6 bolt |
| 49 | 17015 | 17015 | Bolt, 1" - 8 x 10", grade 8 |
| 50 | 17016 | 17016 | Bolt, 1" - 8 x 3-1/2", grade 8 |
| 51 | 18545 | 18545 | Bolt, 5/8" - 11 x 4-1/2", grade 8 |
| 56 | 19991 | 19991 | Bolt, 5/8" - 11 x 2", grade 5 |
| 57 | 18544 | 18544 | Bolt, 5/8" - 11 x 1-3/4", grade 5 |
| 58 | 19590 | 19590 | Bolt, 5/8" - 11 x 1-1/2", grade 5 |
| 59 | 19588 | 19588 | Bolt, 1/2" - 13 x 1-1/4", grade 5 |
| 60 | 19981 | 19981 | Bolt, 7/16" - 14 x 1-3/4", grade 5 |
| 61 | 18698 | 18698 | Bolt, 7/16" - 14 x 1-1/4", grade 5 |
| 62 | 19331 | 19331 | Eye bolt, 1/2" - 13 x 5", w/locknut |
| 63 | 17019 | 17019 | Locknut, 1" - 8 |
| 64 | 19600 | 19600 | Locknut, 5/8" - 11 |
| 65 | 19599 | 19599 | Locknut, 1/2" - 13 |
| 66 | 19598 | 19598 | Locknut, 7/16" - 14 |
| 67 | 17020 | 17020 | Flatwasher, 1" |
| 68 | 17021 | 17021 | Short spacer bushing |
| 69 | 17022 | 17022 | Long spacer bushing |
| 70 | --- | 27575 | Bushing, Thrust adjuster |
| 71 | --- | 27576 | Thrust adjuster cover |
| 72 | --- | 27587 | NF hex nut, 1-1/2" |
| 73 | --- | 27588 | 5/8" Washer locknut |
| 74 | --- | 27589 | Bolt, 5/8" - 11 x 2-1/2", grade 5 |

MK130/MK130^{PLUS} - 81' Basic Auger



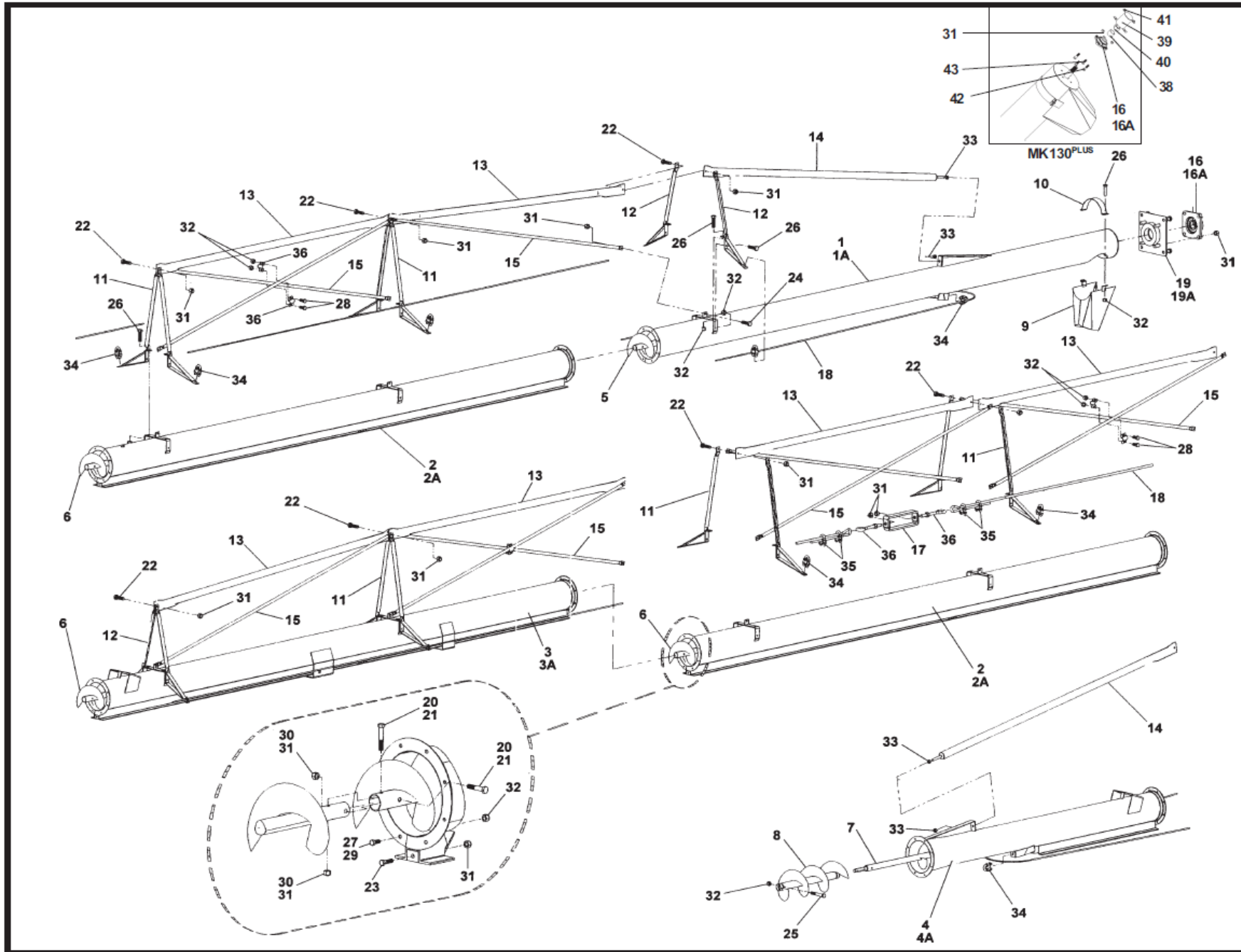
ILL916-924

MK130/MK130^{PLUS} - 81' Basic Auger

| REF. NO. | PART NO. | | PART DESCRIPTION |
|----------|----------|---------------------------|--|
| | MK130-81 | MK130 ^{PLUS} -81 | |
| 1A | 18977 | 18977 | Upper tube section |
| 2 | 18978 | 18978 | Upper tube bundle, as shipped |
| 2A | 18979 | 18979 | Upper middle tube section |
| 3 | 18980 | 18980 | Upper middle tube bundle, as shipped |
| 3A | 27527 | 27527 | Lower middle tube section |
| 4 | 27536 | 27536 | Lower middle tube bundle, as shipped |
| 4A | 27526 | 27526 | Lower tube section |
| 5 | 27537 | 27537 | Lower tube bundle, as shipped |
| 6 | 18983 | 27591 | Upper flight section |
| 7 | 18984 | 18984 | Middle flight section |
| 8 | 18985 | 18985 | Lower flight section |
| 9 | 18986 | 18986 | Spout less halfband |
| 10 | 18987 | 18987 | Halfband |
| 11 | 18988 | 18988 | Truss support bracket, low |
| 12 | 27534 | 27534 | Truss support bracket, high |
| 13 | 27501 | 27501 | Truss cable, upper |
| 14 | 27502 | 27502 | Truss cable, lower |
| 15 | 18989 | 18989 | Truss attach angle, lower |
| 16 | 19331 | 19331 | Eye bolt w/nut |
| 17 | 18990 | 18990 | 3/8" cable clamp |
| 18 | 19333 | 19333 | 5/16" cable clamp |
| 18A | 18518 | 18518 | 1-3/4" Bearing, 4 bolt |
| 19 | 17527 | 17527 | 1-3/4" Bearing, less flange |
| 20 | 17462 | 17462 | Track stop |
| 21 | 27522 | 27522 | Lift arm extension bracket |
| 22 | 27488 | 27488 | Lift arm extension |
| 23 | 17461 | 17461 | Track shoe |
| 24 | 27562 | 27562 | Ram guide |
| 25 | 17455 | 17455 | Lift assist bracket |
| 25A | 27535 | 27535 | Hydraulic cylinder w/pulleys & cable |
| 26 | 27541 | 27541 | Hydraulic cylinder only |
| 27 | 17380 | 17380 | 5/16" Lift cable, 86' 6" long |
| 27A | 27531 | 27531 | Upper lift arm, left or right |
| 28 | 27539 | 27539 | Upper lift bundle, as shipped |
| 29 | 27529 | 27529 | Lower reach arm, left |
| 30 | 27528 | 27528 | Lower reach arm, right |
| 31 | 27538 | 27538 | Lower reach frame bundle, as shipped |
| 31A | 27530 | 27530 | Axle base |
| 32 | 27540 | 27540 | Axle bundle, as shipped, including ref #36 |
| 33 | 27490 | 27490 | Axle extension |
| 34 | 27532 | 27532 | Short cross member |
| 35 | 27525 | 27525 | Stabilizer brace |
| 36 | 27546 | 27546 | Stabilizer bracket |
| 36 | 27500 | 27500 | Cross brace |

| REF. NO. | PART NO. | | PART DESCRIPTION |
|----------|----------|---------------------------|------------------------------------|
| | MK130-81 | MK130 ^{PLUS} -81 | |
| 37 | 27507 | 27507 | Spacer bushing, 7/8" long |
| 38 | 27508 | 27508 | Spacer bushing, 5/8" long |
| 39 | 17563 | 17563 | Spacer bushing, 1-1/8" long |
| 40 | 17463 | 17463 | Corner brace |
| 41 | 17006 | 17006 | Seal |
| 42 | 17007 | 17007 | Large bearing, Timken no. LM29749 |
| 43 | 17008 | 17008 | Large cup, Timken no. LM29710 |
| 44 | 17009 | 17009 | Hub w/cups |
| 45 | 19266 | 19266 | Small cup, Timken no. LM67010 |
| 46 | 19265 | 19265 | Small bearing, Timken no. LM67048 |
| 47 | 17010 | 17010 | Washer |
| 48 | 17011 | 17011 | Slotted nut, 1" |
| 49 | 17012 | 17012 | Dust cap |
| 50 | 19271 | 19271 | Cotter pin, 1/8" x 1-1/2" |
| 51 | 17561 | 17561 | Wheel bolt, 1/2" - 20 x 1-5/8" |
| 52 | 17013 | 17013 | Hub assembly, complete |
| 53 | 17560 | 17560 | 15" Wheel, 6 bolt |
| 54 | --- | 27575 | Bushing, Thrust adjuster |
| 55 | --- | 27576 | Thrust adjuster cover |
| 56 | --- | 27587 | NF hex nut, 1-1/2" |
| 57 | --- | 27588 | Washer locknut, 5/8" |
| 58 | 17020 | 17020 | Washer, 1" |
| 59 | 17015 | 17015 | Bolt, 1" - 8 x 10", grade 8 |
| 60 | 17016 | 17016 | Bolt, 1" - 8 x 3-1/2", grade 8 |
| 61 | 18545 | 18545 | Bolt, 5/8" - 11 x 4-1/2", grade 8 |
| 62 | 19991 | 19991 | Bolt, 5/8" - 11 x 2", grade 8 |
| 63 | 19590 | 19590 | Bolt, 5/8" - 11 x 1-1/2", grade 8 |
| 64 | 19588 | 19588 | Bolt, 1/2" - 13 x 1-1/4", grade 5 |
| 65 | 18698 | 18698 | Bolt, 7/16" - 14 x 1-1/4", grade 5 |
| 66 | 18544 | 18544 | Bolt, 5/8" - 11 x 1-3/4", grade 5 |
| 67 | 17019 | 17019 | Locknut, 1" - 8 |
| 68 | 19600 | 19600 | Locknut, 5/8" - 11 |
| 69 | 19599 | 19599 | Locknut, 1/2" - 13 |
| 70 | 19598 | 19598 | Locknut, 7/16" - 14 |
| 71 | 19648 | 19648 | Saddle pin |
| 72 | 18079 | 18079 | Roll pin, 5/16" x 2" |
| 73 | --- | 27589 | Bolt, 5/8" - 11 x 2-1/2", grade 5 |
| 74 | 19981 | 19981 | Bolt, 7/16" - 14 x 1-3/4", grade 5 |

MK100/MK130/MK130^{PLUS}-91' & MK130/MK130^{PLUS}-111' Basic Tubes

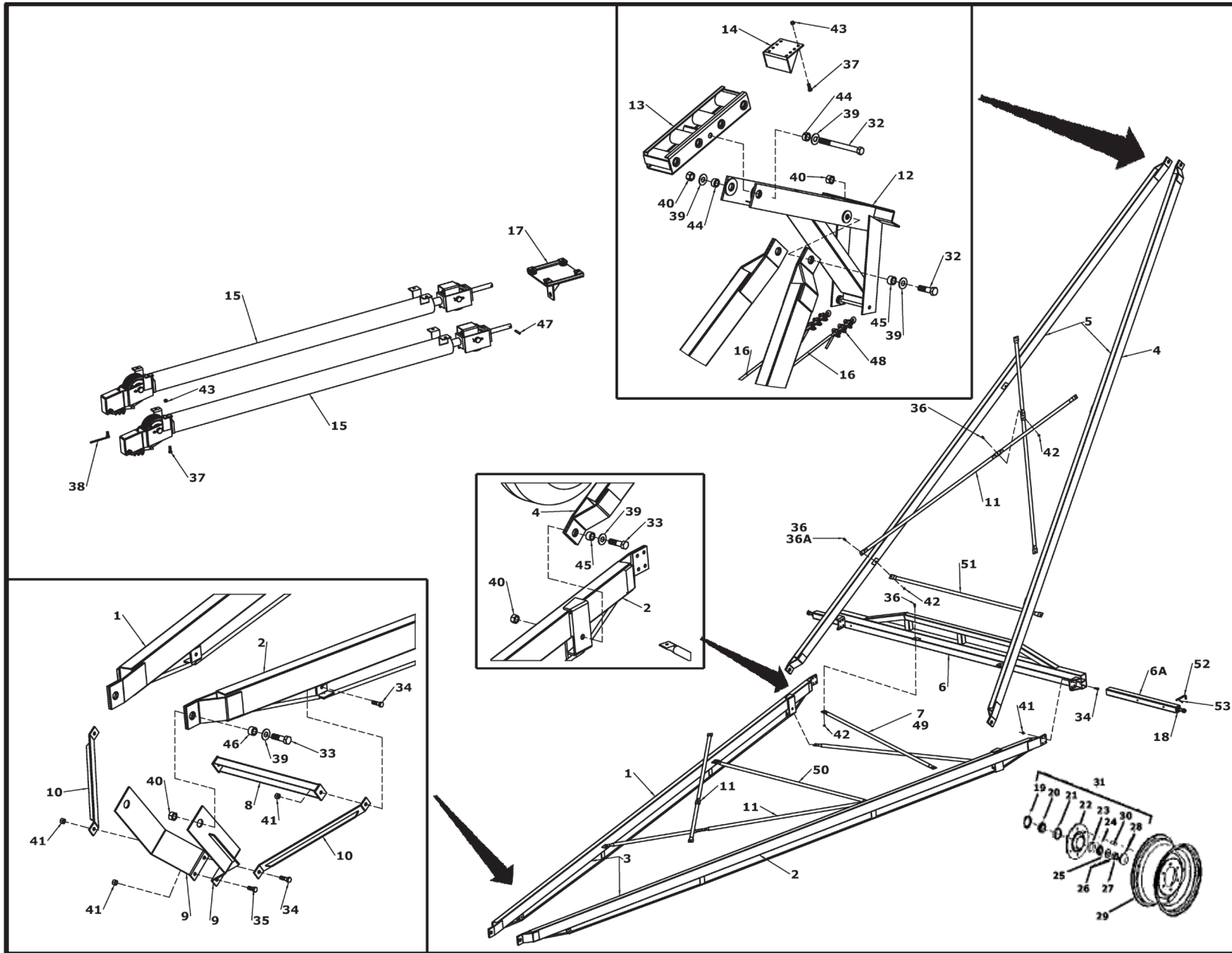


MK100/MK130/MK130^{PLUS}-91' & MK130/MK130^{PLUS}-111' Basic Tubes

| REF. NO. | PART NO. | | | | | PARTS DESCRIPTION |
|----------|----------|----------|---------------------------|-----------|----------------------------|--|
| | MK100-91 | MK130-91 | MK130 ^{PLUS} -91 | MK130-111 | MK130 ^{PLUS} -111 | |
| 1 | 17564 | 17565 | 17565 | 17565 | 17565 | Upper tube section |
| 1A | 17505 | 17506 | 17506 | 17506 | 17506 | Upper tube bundle, as shipped |
| 2 | 17566 | 17567 | 17567 | 17567 | 17567 | Upper middle tube section |
| 2A | 17507 | 17508 | 17508 | 17508 | 17508 | Upper middle tube bundle, as shipped |
| 3 | 17568 | 17569 | 17569 | 17654 | 17654 | Lower middle tube section |
| 3A | 17509 | 17510 | 17510 | 17673 | 17673 | Lower middle tube bundle, as shipped |
| 4 | 17570 | 17571 | 17571 | 17571 | 17571 | Lower tube section |
| 4A | 17511 | 17512 | 17512 | 17512 | 17512 | Lower tube bundle, as shipped |
| 5 | 17587 | 18983 | 27591 | 18983 | 27591 | Upper flight section |
| 6 | 17588 | 18984 | 18984 | 18984 | 18984 | Middle flight section |
| 7 | 17575 | 17030 | 17030 | 17030 | 17030 | Lower flight |
| 8 | 18921 | — | — | — | — | Intake flight section |
| 9 | 18029 | 18986 | 18986 | 18986 | 18986 | Spout, less halfband |
| 10 | 19801 | 18987 | 18987 | 18987 | 18987 | Tube halfband |
| 11 | 17460 | 17460 | 17460 | 17460 | 17460 | Truss support bracket, high |
| 12 | 17459 | 17459 | 17459 | 17459 | 17459 | Truss support bracket, low |
| 13 | 17572 | 17572 | 17572 | 17658 | 17658 | Truss tube |
| 14 | 17573 | 17573 | 17573 | 17660 | 17660 | Truss adjust tube |
| 15 | 17574 | 17574 | 17574 | 17659 | 17659 | Truss cross brace |
| 16 | 19567 | — | — | — | — | 1-1/4" Bearing w/4-bolt flange |
| 16 | — | 18518 | 18518 | 18518 | 18518 | 1-3/4" Bearing w/4-bolt flange |
| 16A | 18852 | — | — | — | — | 1-1/4" Bearing, less flange |
| 16A | — | 17527 | 17527 | 17527 | 17527 | 1-3/4" Bearing, less flange |
| 17 | 17464 | 17464 | 17464 | 17464 | 17464 | Turn buckle (2 required per set) |
| 18 | 17576 | 17576 | 17576 | — | — | 3/8" Truss cable, single 80' 0" |
| 18 | — | — | — | 17653 | 17653 | 3/8" Truss cable, single 106' 0" |
| 19 | 17385 | — | — | — | — | Thrust adjuster assembly, less bearing |
| 19A | 17577 | — | — | — | — | Foam gasket only |
| 20 | — | 18545 | 18545 | 18545 | 18545 | Bolt, 5/8" - 11 x 4-1/2", grade 8 |
| 21 | 19798 | — | — | — | — | Bolt, 1/2" - 13 x 2-3/4", grade 8 |
| 22 | 17403 | 17403 | 17403 | 17403 | 17403 | Bolt, 1/2" - 13 x 2-1/2", grade 5 |
| 23 | 19589 | 19589 | 19589 | 19589 | 19589 | Bolt, 1/2" - 13 x 1-1/2", grade 5 |
| 24 | 19588 | 19588 | 19588 | 19588 | 19588 | Bolt, 1/2" - 13 x 1-1/4", grade 5 |
| 25 | 19547 | — | — | — | — | Bolt, 7/16" - 14 x 3-1/2", grade 5 |
| 26 | 18698 | 18698 | 18698 | 18698 | 18698 | Bolt, 7/16" - 14 x 1-1/4", grade 5 |
| 27 | — | 18698 | 18698 | 18698 | 18698 | Bolt, 7/16" - 14 x 1-1/4", grade 5 |
| 28 | 19542 | 19542 | 19542 | 19542 | 19542 | Bolt, 7/16" - 14 x 1", grade 5 |
| 29 | 19542 | — | — | — | — | Bolt, 7/16" - 14 x 1", grade 5 |
| 30 | 19600 | 19600 | 19600 | 19600 | 19600 | Locknut, 5/8" - 11 |
| 31 | 19599 | 19599 | 19599 | 19599 | 19599 | Locknut, 1/2" - 13 |
| 32 | 19598 | 19598 | 19598 | 19598 | 19598 | Locknut, 7/16" - 14 |
| 33 | 19997 | 19997 | 19997 | 19997 | 19997 | Hexnut, 3/4" - 10 |
| 34 | 19333 | 19333 | 19333 | 19333 | 19333 | Cable clamp, 5/16" |

| REF. NO. | PART NO. | | | | | PARTS DESCRIPTION |
|----------|----------|----------|---------------------------|-----------|----------------------------|-----------------------------------|
| | MK100-91 | MK130-91 | MK130 ^{PLUS} -91 | MK130-111 | MK130 ^{PLUS} -111 | |
| 35 | 18990 | 18990 | 18990 | 18990 | 18990 | Cable clamp, 3/8" |
| 36 | 17405 | 17405 | 17405 | 17655 | 17655 | Cross brace clamp, single |
| 37 | 19331 | 19331 | 19331 | 19331 | 19331 | Eyebolt, 1/2" - 13 x 5" w/locknut |
| 38 | --- | --- | 27575 | --- | 27575 | Bushing, Thrust adjuster |
| 39 | --- | --- | 27576 | --- | 27576 | Thrust adjuster cover |
| 40 | --- | --- | 27587 | --- | 27578 | NF hex nut, 1-1/2" |
| 41 | --- | --- | 27588 | --- | 27588 | Washer locknut, 5/8" |
| 42 | --- | --- | 27589 | --- | 27589 | Bolt, 5/8" - 11 x 2-1/2", grade 5 |
| 43 | --- | --- | 18544 | --- | 18544 | Bolt, 5/8" - 11 x 1-3/4", grade 5 |

MK100 / MK130 - 91' & MK130 - 111' Basic Frame



H20

July-08

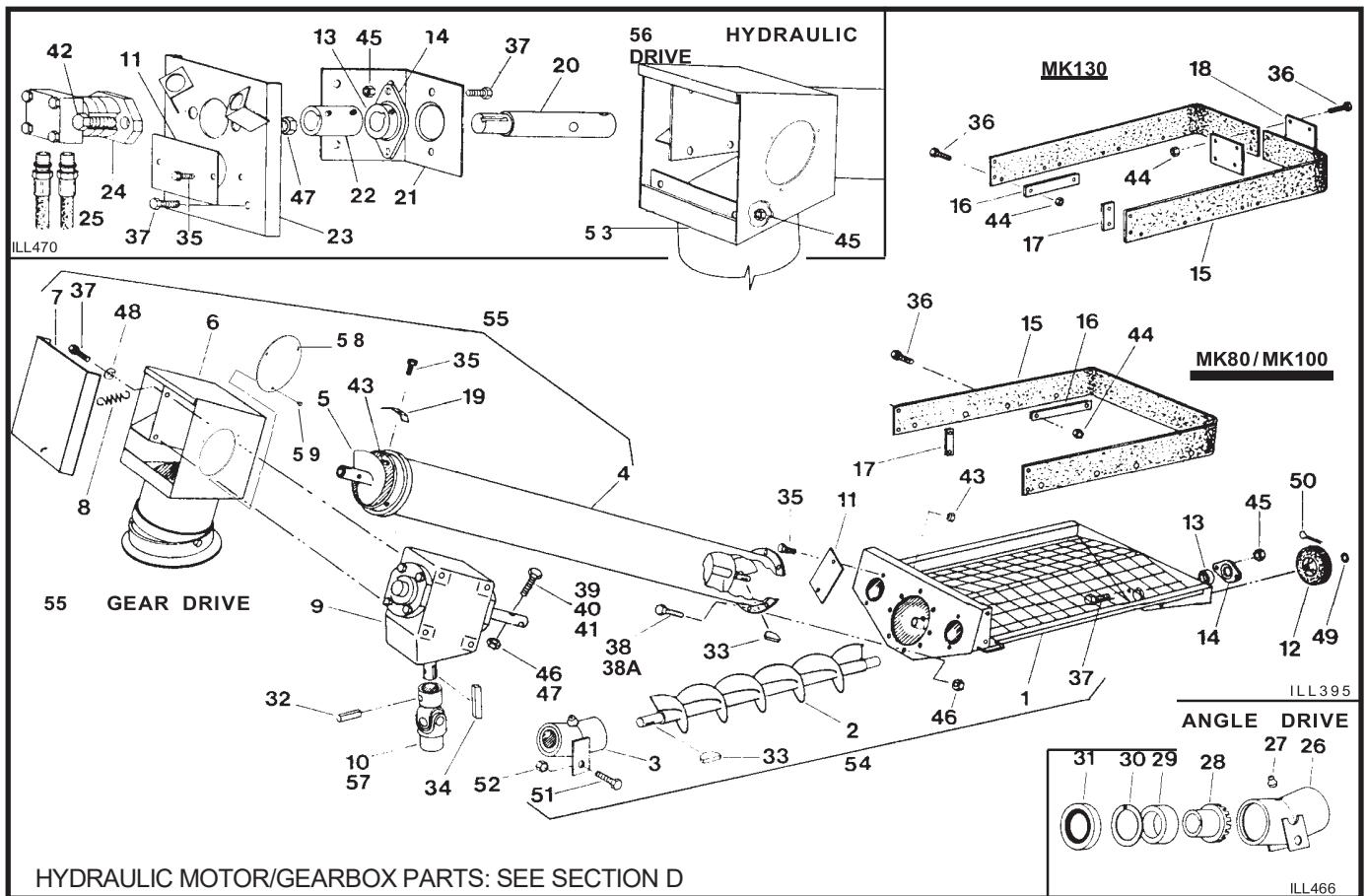
MK100 / MK130 - 91' & MK130 - 111' Basic Frame

| REF. NO. | PART NO. | | PARTS DESCRIPTION |
|----------|----------|-------|---|
| | MK91 | MK111 | |
| 1 | 28307 | 28435 | Lower reach tube, left |
| 2 | 28306 | 28434 | Lower reach tube, right |
| 3 | 28327 | 28590 | Lower reach frame bundle ,as shipped |
| 4 | 28308 | 28436 | Upper lift tube, left or right |
| 5 | 28328 | 28591 | Upper lift bundle, as shipped |
| 6 | 28310 | 28433 | Axle Weldment |
| 6A | 28311 | 28311 | Axle Extension |
| 7 | 17463 | -- | Corner brace (91' only) |
| 8 | 28325 | 28325 | Short cross member |
| 9 | 27546 | 27546 | Stabilizer bracket |
| 10 | 28326 | 28326 | Stabilizer brace |
| 11 | 17558 | 17646 | Cross brace |
| 12 | 17455 | 17455 | Lift assist bracket |
| 13 | 17461 | 17461 | Track shoe |
| 14 | 17462 | 17462 | Track stop |
| 15 | 17466 | 17650 | Hydraulic cylinder w/pulleys and cables |
| 16 | 17380 | -- | 5/16" Lift cable, 86' 6" long |
| 16A | -- | 17653 | 3/8" Lift cable, 106' long |
| 17 | 27562 | 27562 | Cylinder ram guide |
| 18 | 17004 | 17004 | Weld on spindle |
| 19 | 17006 | 17006 | Seal |
| 20 | 17007 | 17007 | Large bearing, Timken no. LM29749 |
| 21 | 17008 | 17008 | Large cup, Timken no. LM29710 |
| 22 | 17009 | 17009 | Hub w/cups |
| 23 | 19266 | 19266 | Small cup, Timken no. LM67010 |
| 24 | 19265 | 19265 | Small bearing, Timken no. LM67048 |
| 25 | 17010 | 17010 | Washer |
| 26 | 19271 | 19271 | Cotter pin, 1/8" x 1-1/2" |
| 27 | 17011 | 17011 | Slotted nut, 1" |
| 28 | 17012 | 17012 | Dust cap |
| 29 | 17560 | 17560 | 15" Wheel, 6 bolt |
| 30 | 17561 | 17561 | Wheel bolt, 1/2" - 20 x 1-5/8" |
| 31 | 17013 | 17013 | Hub assembly, complete |
| 32 | 17015 | 17015 | Bolt, 1" - 8 x 10", grade 8 |
| 33 | 17016 | 17016 | Bolt, 1" - 8 x 3-1/2", grade 8 |
| 34 | 19991 | 19991 | Bolt, 5/8" - 11 x 2", grade 8 |
| 35 | 19590 | 19590 | Bolt, 5/8" - 11 x 1-1/2", grade 8 |
| 36 | 19588 | -- | Bolt, 1/2" - 13 x 1-1/4", grade 5 |
| 36A | -- | 19974 | Bolt, 1/2" - 13 x 1-3/4", grade 5 |
| 37 | 18698 | 18698 | Bolt, 7/16" - 14 x 1-1/4", grade 5 |

| REF. NO. | PART NO. | | PARTS DESCRIPTION |
|--------------------------|----------|-------|---|
| | MK91 | MK111 | |
| 38 | 17562 | 17562 | Bolt, 7/16" - 14 x 1-1/4", grade 5 w/handle |
| 39 | 17020 | 17020 | Flat washer, 1" |
| 40 | 17019 | 17019 | Locknut, 1" - 8 |
| 41 | 19600 | 19600 | Locknut, 5/8" - 11 |
| 42 | 19599 | 19599 | Locknut, 1/2" - 13 |
| 43 | 19598 | 19598 | Locknut, 7/16" - 14 |
| 44 | 17021 | 17021 | Spacer bushing, 11/16" long |
| 45 | 17022 | 17022 | Spacer bushing, 15/16" long |
| 46 | 17563 | 17563 | Spacer bushing, 1-1/8" long |
| 47 | 18079 | 18079 | Roll pin, 5/16" x 2" |
| 48 | 19333 | -- | Cable clamp, 5/16" |
| 48A | -- | 18990 | Cable clamp, 3/8" |
| 49 | -- | 28439 | Axle brace (111' only) |
| 50 | -- | 28438 | Lower tie tube (111' only) |
| 51 | -- | 28439 | Upper tie tube (111' only) |
| 52 | 19648 | 19648 | Saddle Pin |
| 53 | 19463 | 19463 | Hitch Pin |
| Before July 2008: | | | |
| 1 | 17555 | 17643 | Lower reach tube, left |
| 2 | 17556 | 17644 | Lower reach tube, right |
| 3 | 17515 | 17666 | Lower reach frame bundle, as shipped |
| 4 | 17557 | 17645 | Upper lift tube, left or right |
| 5 | 17514 | 17665 | Upper lift bundle, as shipped |
| 6 | 17513 | 17642 | Axle w/spindle, nuts, cotter pins |
| 8 | 18999 | 18999 | Short crossmember |
| 10 | 17000 | 17000 | Stabilizer brace |
| 49 | -- | 17647 | Axle brace (111' only) |
| 50 | -- | 17647 | Lower tie tube (111' only) |
| 51 | -- | 17648 | Upper tie tube (111' only) |

Swing Hopper

MK80 / MK100 / MK130 / MK130^{PLUS}



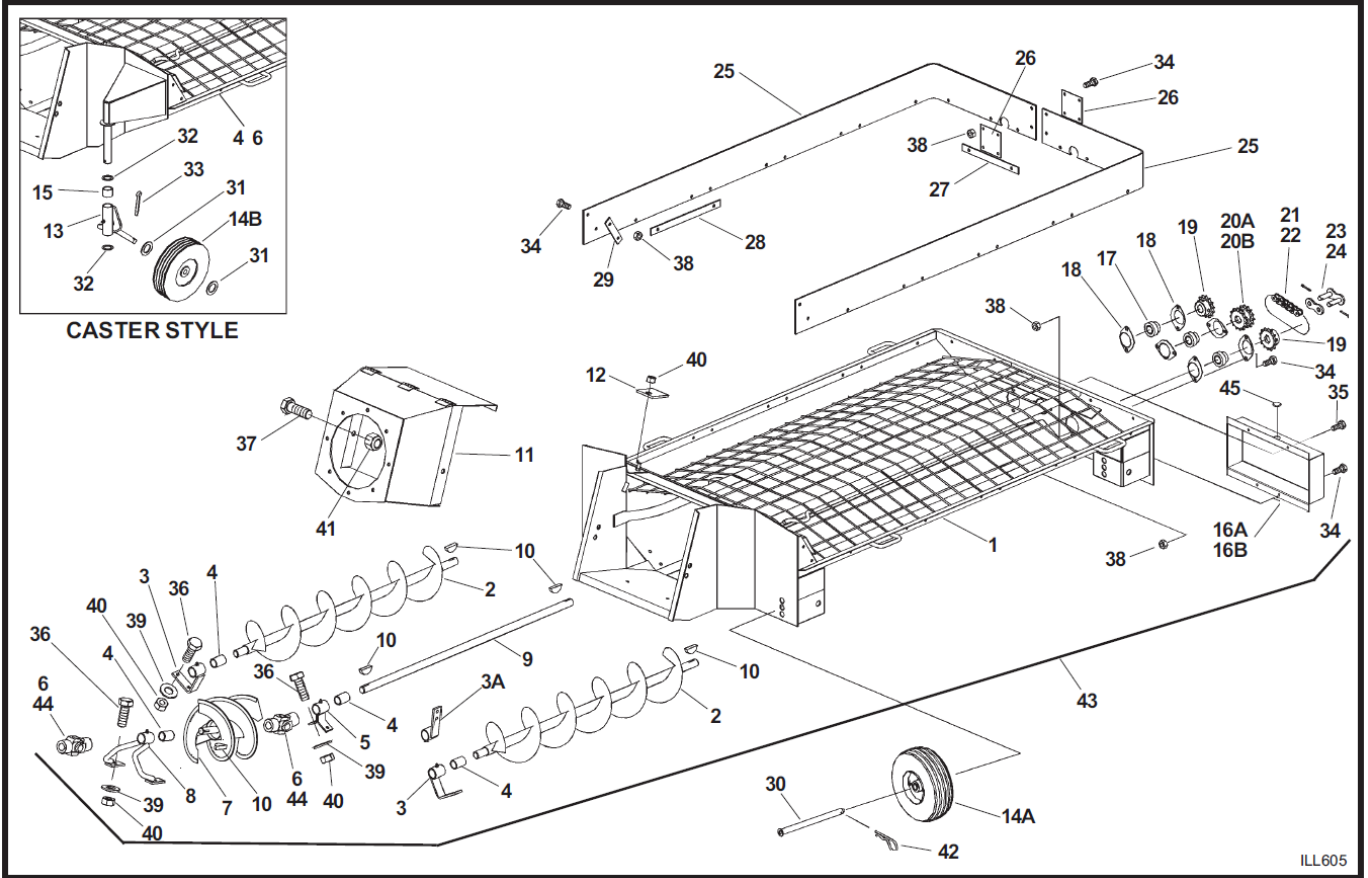
HYDRAULIC MOTOR/GEARBOX PARTS: SEE SECTION D

| REF NO. | PART NO. | | | | PARTS DESCRIPTION |
|---------|----------|-------|-------|-----------------------|------------------------------|
| | MK80 | MK100 | MK130 | MK130 ^{PLUS} | |
| 1 | 18861 | 18862 | 18590 | 18590 | Intake hopper |
| 2 | 18869 | 18870 | 18591 | 18591 | Hopper flighting |
| 3 | 18860 | 18860 | 18860 | 18860 | Angle drive |
| 4 | 18865 | 18866 | 18931 | 18931 | Tube section |
| 5 | 18871 | 18872 | 18932 | 18932 | Tube flighting |
| 6 | 18867 | 18868 | 18933 | 27565 | Spout head |
| 7 | 18875 | 18876 | 18934 | 27567 | Spout door |
| 8 | 18728 | 18728 | 18728 | 18728 | Door spring |
| 9 | 18848 | 18849 | 18789 | 27560 | Upper gearbox |
| 10 | 18727 | 18727 | 18727 | 18727 | Universal joint |
| 11 | 18874 | 18874 | 18874 | 18874 | Access plate |
| 12 | 18056 | 18056 | 18935 | 18935 | Wheel |
| 13 | 18853 | 18853 | 18853 | 18853 | 1-1/4" Bearing, less flanges |
| 14 | 18695 | 18695 | 18695 | 18695 | 1-1/4" Flangette |
| 15 | 18873 | 18873 | 18936 | 18936 | Rubber extension |
| 16 | 18054 | 18054 | 18054 | 18054 | Attach strap, 13" |
| 17 | 18878 | 18878 | 18878 | 18878 | Attach strap, 4-1/2" |
| 18 | -- | -- | 18055 | 18055 | Connector plate |
| 19 | 18877 | 18877 | 18877 | 18877 | Stop plate |
| 20 | 18937 | 18938 | -- | -- | Shaft |
| 21 | 18939 | 18939 | -- | -- | Bracket |
| 22 | 19119 | 19119 | -- | -- | Drive connector |
| 23 | 18940 | 18941 | -- | -- | Mount plate |
| 24 | 18065 | 18066 | -- | -- | Hydraulic motor |
| 25 | 18067 | 18067 | -- | -- | 1/2" Hydraulic hose |
| 26 | 18942 | 18942 | 18942 | 18942 | Housing |
| 27 | 19222 | 19222 | 19222 | 19222 | Grease fitting |
| 28 | 18943 | 18943 | 18943 | 18943 | Gear |
| 29 | 18944 | 18944 | 18944 | 18944 | Bushing |
| 30 | 18945 | 18945 | 18945 | 18945 | Retaining ring |

| REF NO. | PART NO. | | | | PARTS DESCRIPTION |
|---------|----------|-------|-------|-----------------------|------------------------------------|
| | MK80 | MK100 | MK130 | MK130 ^{PLUS} | |
| 31 | 18946 | 18946 | 18946 | 18946 | Angle drive seal |
| 32 | 18079 | 18079 | 18079 | 18079 | Roll pin, 5/16" x 2" |
| 33 | 19224 | 19224 | 19224 | 19224 | Woodruff key, 1/4" x 1" |
| 34 | 19606 | 19606 | 19606 | 19606 | Square key, 1/4" x 1-1/2" |
| 35 | 19537 | 19537 | 19537 | 19537 | Bolt, 1/4" - 20 x 1/2", grade 5 |
| 36 | 19538 | 19538 | 19538 | 19538 | Bolt, 5/16" - 18 x 3/4", grade 2 |
| 37 | 19540 | 19540 | 19540 | 19540 | Bolt, 3/8" - 16 x 3/4", grade 2 |
| 38 | 19542 | 19542 | -- | -- | Bolt, 7/16" - 14 x 1", grade 5 |
| 38A | -- | -- | 18698 | 18698 | Bolt, 7/16" - 14 x 1-1/4", grade 5 |
| 39 | 19545 | -- | -- | -- | Bolt, 7/16" - 14 x 2-1/4", grade 8 |
| 40 | -- | 17747 | -- | -- | Bolt, 7/16" - 14 x 2-1/2", grade 8 |
| 41 | -- | -- | 18947 | 18947 | Bolt, 1/2" - 13 x 4", grade 8 |
| 42 | 19589 | 19589 | -- | -- | Bolt, 1/2" - 13 x 1-1/2", grade 2 |
| 43 | 19594 | 19594 | -- | -- | Washer locknut, 1/4" - 20 |
| 44 | 19595 | 19595 | 19595 | 19595 | Washer locknut, 5/16" - 18 |
| 45 | 19596 | 19596 | 19596 | 19596 | Washer locknut, 3/8" - 16 |
| 46 | 19598 | 19598 | 19598 | 19598 | Locknut, 7/16" - 14 |
| 47 | 19599 | 19599 | 19599 | 19599 | Locknut, 1/2" - 13 |
| 48 | 19604 | 19604 | 19604 | 19604 | Lockwasher, 3/8" |
| 49 | 18096 | 18096 | 18948 | 18948 | Rim washer |
| 50 | 19271 | 19271 | 19271 | 19271 | Cotter pin, 1/8" x 1-1/2" |
| 51 | 18955 | 18955 | 18955 | 18955 | Bolt, 3/8" - 16 x 1", grade 2 |
| 52 | 18956 | 18956 | 18956 | 18956 | Locknut, 3/8" |
| 53 | 18957 | 18958 | -- | -- | Attach strap |
| 54 | 18863 | 18864 | 18949 | 18949 | Hopper assembly, as shipped |
| 55 | 18950 | 18951 | 18952 | 27568 | Tube assm, gear dr, as shipped |
| 56 | 18953 | 18954 | -- | -- | Tube assm, hyd. dr, as shipped |
| 57 | 17029 | 17029 | 17029 | 17029 | Repair kit, universal joint |
| 58 | 17374 | 17374 | 17374 | 17374 | Gearbox access cover |
| 59 | 19274 | 19274 | 19274 | 19274 | Flat tip selftapping screw |
| 60 | 17140 | -- | -- | -- | S08/10-6/9 carton |

MK100 / MK130

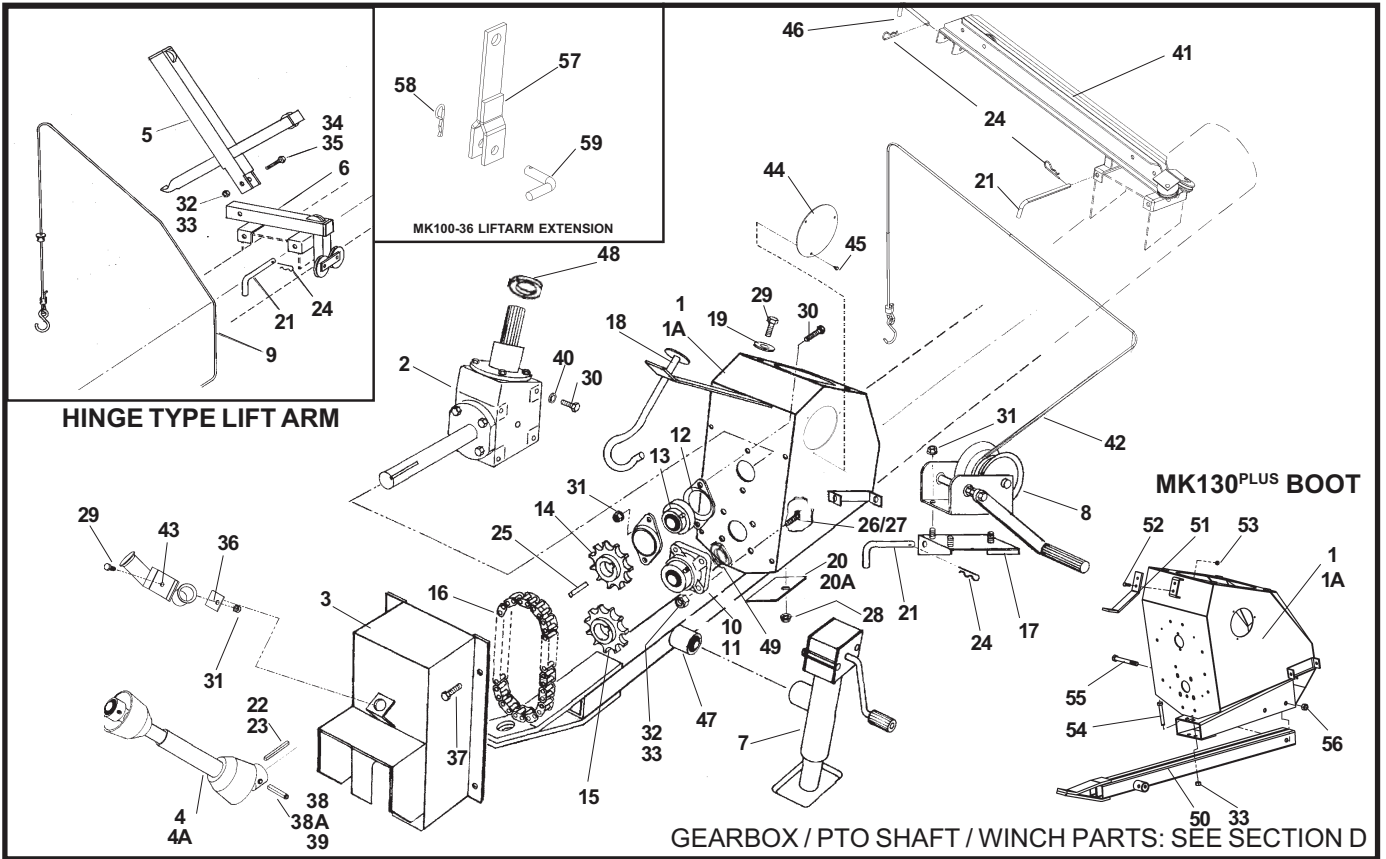
Low Profile Hopper



ILL605

| REF. NO. | PART NO. | | PARTS DESCRIPTION | NO. REQD | REF. NO. | PART NO. | | PARTS DESCRIPTION | NO. REQD |
|----------|----------|-------|--|----------|----------|----------|-------|----------------------------------|----------|
| | 10" | 13" | | | | 10" | 13" | | |
| 1 | 17393 | 17393 | Intake hopper | 1 | 23 | 19134 | 19134 | Roller chain connector only | 2 |
| 2 | 17345 | 17345 | Hopper flighting | 2 | 24 | -- | 17389 | Roller chain half link only | 2 |
| 3 | 17351 | 17351 | Bottom mount bushing support, w/bushing | 2 | 25 | 17357 | 17357 | Rubber extension | 2 |
| 3A | 17583 | 17583 | Top mount bushing support, w/bushing | 2 | 26 | 18055 | 18055 | Connector plate, single | 2 |
| 4 | 19149 | 19149 | Bushing only | 4 | 27 | 17358 | 17358 | Attach strap, 10-1/2" | 3 |
| 5 | 17352 | 17352 | Center shaft bushing support, w/bushing | 1 | 28 | 18054 | 18054 | Attach strap, 13" | 8 |
| 6 | 19290 | 19290 | Universal joint | 2 | 29 | 18878 | 18878 | Attach strap, 4-1/2" | 2 |
| 7 | 17356 | 17355 | Pivot connector flighting | 1 | 30 | 17394 | 17394 | Axle | 4 |
| 8 | 17354 | 17353 | Center flighting bushing support, w/bushing | 1 | 31 | 18096 | 18096 | Rim washer, 5/8" | 12 |
| 9 | 17346 | 17347 | Center drive shaft | 1 | 32 | 18097 | 18097 | Rim washer, 1" | 6 |
| 10 | 19224 | 19224 | Woodruff key, 1/4" x 1" | 6 | 33 | 19271 | 19271 | Cotter pin, 1/8" x 1-1/2" | 9 |
| 11 | 17360 | 17361 | Pivot connector | 1 | 34 | 19538 | 19538 | Bolt, 5/16" - 18 x 3/4", grade 2 | 36 |
| 12 | 17362 | 17362 | Latch | 2 | 35 | 18091 | 18091 | Bolt, 5/16" - 18 x 1", grade 2 | 2 |
| 13 | 17359 | 17359 | Caster weldment | 3 | 36 | 19955 | 19955 | Bolt, 3/8" - 16 x 1", grade 2 | 8 |
| 14A | 17522 | 17522 | Wheel c/w tire | 4 | 37 | 19590 | 19590 | Bolt, 5/8" - 11 x 1-1/2" | 2 |
| 14B | 18056 | 18056 | Wheel (caster style) | 6 | 38 | 19595 | 19595 | Washer locknut, 5/16" - 18 | 38 |
| 15 | 17387 | 17387 | Spacer | 3 | 39 | 17392 | 17392 | Flat washer, 3/8" SAE | 8 |
| 16A | 17350 | 17350 | Chain guard (caster style) | 1 | 40 | 18956 | 18956 | Locknut, 3/8" - 16 | 10 |
| 16B | 17397 | 17397 | Chain guard | 1 | 41 | 19600 | 19600 | Locknut, 5/8" - 11 | 2 |
| 17 | 18817 | 18817 | Bearing | 3 | 42 | 19463 | 19463 | Hair pin | 4 |
| 18 | 18694 | 18694 | Flangette, single | 6 | 43 | 17518 | 17519 | Hopper assembly, as shipped | X |
| 19 | 19131 | 19131 | Sprocket #50-14t, single | 2 | 44 | 19235 | 19235 | Repair kit, universal joint | X |
| 20A | 17348 | -- | Sprocket #50-14t, double | 1 | 45 | 17584 | 17584 | Plastic plug | 1 |
| 20B | -- | 17349 | Sprocket #50-20t, double | 1 | 46 | 17344 | 17344 | Hopper only (caster style) | 1 |
| 21 | 17368 | -- | Roller chain w/conn. link (32 pitches) | 2 | 47 | 17896 | 17896 | LP inner tube | |
| 22 | -- | 17369 | Roller chain w/half & conn. links (35 pitches) | 2 | 48 | 17862 | 17862 | LP hopper tire only | |

MK80 / MK100 / MK130 / MK130^{PLUS} Boot & Hopper Lift Assembly

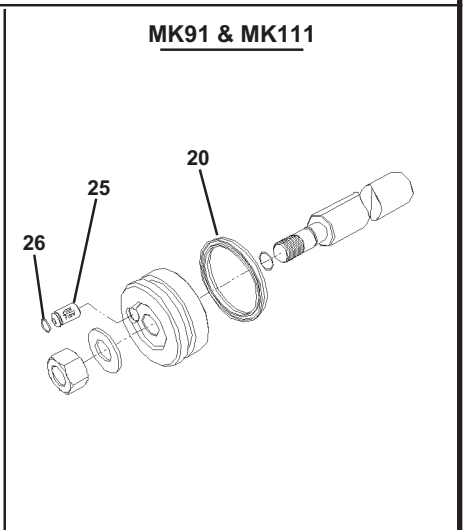
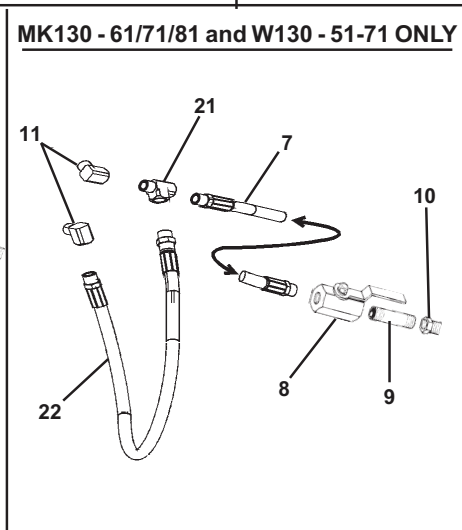
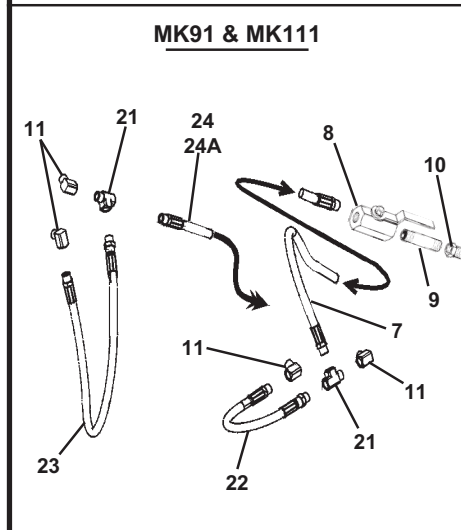
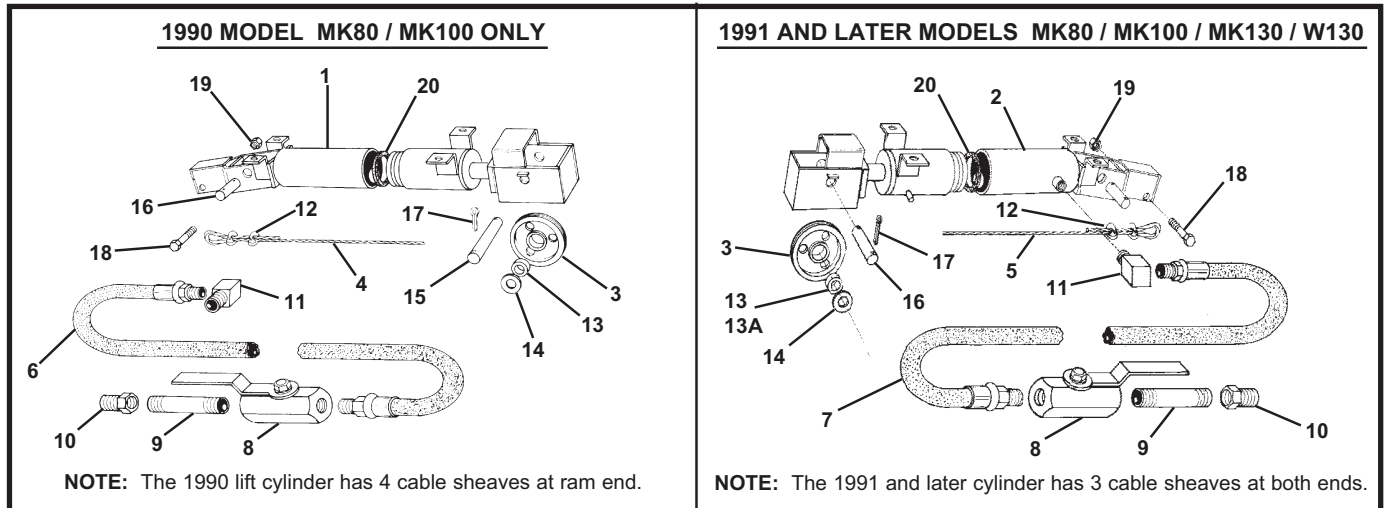


| REF NO. | PART NO. | | | | PARTS DESCRIPTION |
|---------|----------|-------|-------|---------------------|--|
| | 8" | 10" | 13" | 13" ^{PLUS} | |
| 1 | 18742 | 18743 | 18488 | 27563 | Boot, less bearings |
| 1A | 17450 | 17451 | 17452 | 27566 | Boot assembly, as shipped |
| 2 | 18850 | 18851 | 18790 | 27561 | Lower gearbox |
| 3 | 18744 | 18744 | 18540 | 18540 | Sprocket cover |
| 4 | 18484 | 18484 | 18455 | 18455 | PTO shaft |
| 4A | -- | 27481 | 17542 | 17542 | PTO shaft MK91' only |
| 5 | 18746 | 18746 | 18506 | -- | Hopper liftarm Hinge type |
| 6 | 18750 | 18750 | 18507 | -- | Hopper lift base Hinge type |
| 7 | 18080 | 18080 | 18080 | 18080 | Sidewinderjack |
| 8 | 19141 | 19141 | 19152 | 19152 | Winch |
| 9 | 18491 | 18491 | 18502 | -- | Hopper lift cable Hinge type |
| 10 | 19567 | 19567 | 18518 | 18518 | Bearing assembly |
| 11 | 18852 | 18852 | 17527 | 17527 | Bearing insert only |
| 12 | 18695 | 18695 | 18695 | 18695 | 1-1/4" Flangette |
| 13 | 18853 | 18853 | 18853 | 18853 | 1-1/4" Bearing, less flanges |
| 14 | 18710 | 18713 | 19779 | 19779 | Upper sprocket |
| 15 | 18710 | 18713 | 18525 | 18525 | Lower sprocket |
| 16 | 18725 | 18726 | 19781 | 19781 | Roller chain (MK130 with reverser add one 17400 - half link) |
| 17 | 18076 | 18076 | 18536 | 18536 | Winch mount |
| 18 | 18754 | 18754 | 18537 | 18537 | Transport saddle |
| 19 | 18792 | 18792 | 18792 | 18792 | Hold down washer |
| 20 | 18757 | 18757 | 18757 | 18757 | Clean out plate - 4" x 4-1/2" |
| 20A | 17373 | 17372 | 17372 | 17372 | Clean out plate - full length |
| 21 | 18074 | 18074 | 18074 | 18074 | Mount pin |
| 22 | 19607 | 19607 | -- | -- | Square key, 1/4" x 3" |
| 23 | -- | -- | 18541 | 18541 | Square key, 3/8" x 3-1/2" |
| 24 | 19463 | 19463 | 19463 | 19463 | Hair pin |
| 25 | 19606 | 19606 | 19606 | 19606 | Square key, 1/4" x 1-1/2" |
| 26 | 19589 | 19589 | -- | -- | Bolt, 1/2" - 13 x 1-1/2", grade 5 |
| 27 | -- | -- | 18544 | 18544 | Bolt, 5/8" - 11 x 1-3/4", grade 5 |
| 28 | 19595 | 19595 | 19595 | 19595 | Washer locknut, 5/16" |

| REF NO. | PART NO. | | | | PARTS DESCRIPTION |
|---------|----------|-------|-------|---------------------|---|
| | 8" | 10" | 13" | 13" ^{PLUS} | |
| 29 | 18184 | 18184 | 18184 | 18184 | Bolt, 3/8" - 16 x 3/4", grade 5 |
| 30 | 19540 | 19540 | 19540 | 19540 | Bolt, 3/8" - 16 x 3/4", grade 2 |
| 31 | 19596 | 19596 | 19596 | 19596 | Washer locknut, 3/8" - 16 |
| 32 | 19599 | 19599 | -- | -- | Locknut, 1/2" - 13 |
| 33 | -- | -- | 19600 | 19600 | Locknut, 5/8" - 11 |
| 34 | 18092 | 18092 | -- | -- | Bolt, 1/2" - 13 x 3-1/2", grade 5 |
| 35 | -- | -- | 18545 | 18545 | Bolt, 5/8" - 11 x 4", grade 5 |
| 36 | -- | 17362 | 17362 | 17362 | Square washer MK91' only |
| 37 | 19538 | 19538 | 19538 | 19538 | Bolt, 5/16" - 11 x 3/4", grade 2 |
| 38 | 18079 | 18079 | -- | -- | Roll pin, 5/16" x 2" |
| 38A | -- | 28584 | -- | -- | Roll pin, 5/16" x 2-1/2" (MK81-91 only) |
| 39 | -- | -- | 18546 | 18546 | Roll pin, 3/8" x 2-1/2" |
| 40 | 19604 | 19604 | 19604 | 19604 | Lock washer, 3/8" |
| 41 | 17363 | 17363 | 17363 | 17363 | Hopper liftarm |
| 42 | 17376 | 17376 | 17376 | 17376 | Cable 1/4" dia x 31' long |
| 43 | -- | 17467 | 17467 | 17467 | Double hose holder MK91' only |
| 44 | 17374 | 17374 | 17374 | 17374 | Gearbox access cover |
| 45 | 17543 | 17543 | 17543 | 17543 | Flat tip selftapping screw |
| 46 | 19648 | 19648 | 19648 | 19648 | Saddle pin |
| 47 | 18116 | 18116 | 18116 | 18116 | Pipe mount, weld-on |
| 48 | 17370 | 17370 | 17370 | -- | Rim washer |
| 49 | 17370 | 17370 | 17371 | 17371 | Rim washer |
| 50 | -- | -- | -- | 27564 | Tow bar |
| 51 | -- | -- | -- | 27569 | PTO bar |
| 52 | -- | -- | -- | 18698 | Bolt, 7/16" - 14 x 1-1/4", grade 8 |
| 53 | -- | -- | -- | 17753 | Locknut, 7/16" - 14 |
| 54 | -- | -- | -- | 17065 | Bolt, 5/8" - 11 x 4-1/2", grade 5 |
| 55 | -- | -- | -- | 19593 | Bolt, 3/4" - 10 x 6-1/2", grade 5 |
| 56 | -- | -- | -- | 19601 | Locknut, 3/4" - 10 |
| 57 | -- | 28293 | -- | -- | Hopper lock |
| 58 | 19463 | 19463 | 19463 | 19463 | Hair pin |
| 59 | 27192 | 27192 | -- | -- | Shifter lock pin |

MK80, MK100, MK130, W130

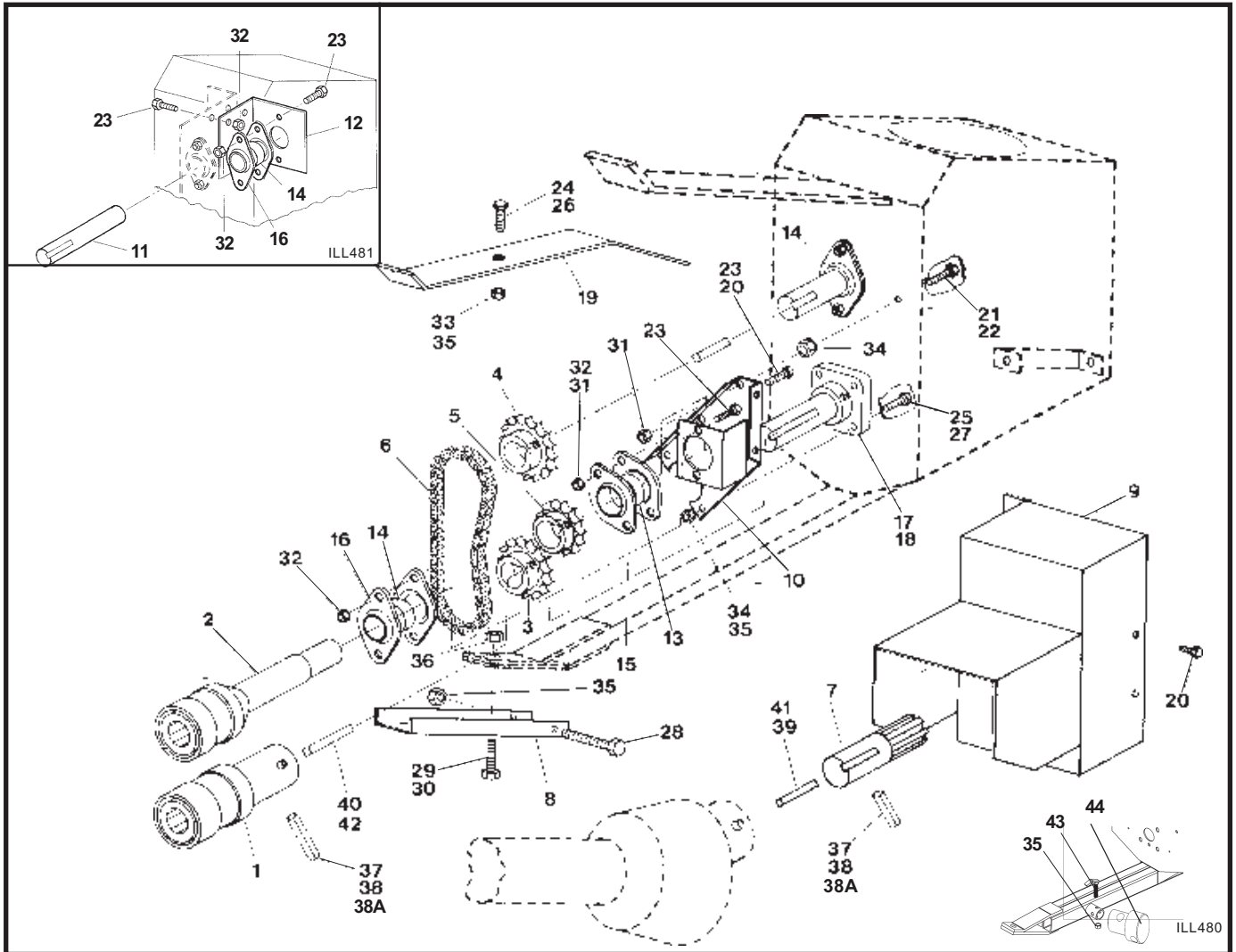
Hydraulic Lift Cylinder



| REF. NO. | PART NO. | | | | | | PARTS DESCRIPTION |
|----------|----------|-------|-------|-------|-------|-------|--|
| | MK51 | MK61 | MK71 | MK81 | MK91 | MK111 | |
| 1 | 18547 | 18548 | 18549 | -- | -- | -- | Hydraulic cylinder 1990 models only |
| 2 | 19915 | 19916 | 19917 | 27505 | 17388 | 17649 | Hydraulic cylinder only (FOR MK1381, USE 27541) |
| 3 | 19918 | 19918 | 19918 | 17640 | 19918 | 17640 | Pulley, 5-1/2" dia. w/bushing (MK111 & MK81: 6" dia.) |
| 4 | 18189 | 18923 | 18924 | -- | -- | -- | Cable, 5/16" dia. 1990 models only |
| 5 | 18042 | 18043 | 18044 | 27503 | 17380 | 17653 | Cable, 5/16" dia. (MK111 & MK81: 3/8" dia.) |
| 6 | 18082 | 18550 | 18701 | -- | -- | -- | Hydraulic hose 1990 models only |
| 7 | 18081 | 18082 | 18083 | 18083 | 17559 | 17656 | Hydraulic hose |
| 8 | 18084 | 18084 | 18084 | 18084 | 18084 | 18084 | Shut-off valve, 3/8" |
| 9 | 18085 | 18085 | 18085 | 18085 | 18085 | 18085 | Pipe nipple, 3/8" x 4-3/4" |
| 10 | 18086 | 18086 | 18086 | 18086 | 18086 | 18086 | Reducer bushing, 3/8" x 1/2" |
| 11 | 18087 | 18087 | 18087 | 18087 | 18087 | 18087 | Street elbow, 3/8" |
| 12 | 19333 | 19333 | 19333 | 18990 | 19333 | 17653 | Cable clamp, 5/16" (MK111 & MK81: 3/8") |
| 13 | 18088 | 18088 | 18088 | -- | 18088 | -- | Bushing, 1" x 3/4" long |
| 13A | -- | -- | -- | 17687 | -- | 17687 | Bushing, 1" x 7/8" long |
| 14 | 18097 | 18097 | 18097 | 18097 | 18097 | 17651 | Rim washer, 1" (MK111: 1-1/4") |
| 15 | 18732 | 18732 | 18732 | -- | -- | -- | Pulley Pin, 1" x 5" 1990 models only |
| 16 | 18089 | 18089 | 18089 | 18089 | 18089 | 17652 | Pulley Pin, 1" x 4-1/4" (MK111: 1-1/4" x 4-1/2") |
| 17 | 18098 | 18098 | 18098 | 18098 | 18098 | 18098 | Cotter pin, 1/4" x 1-3/4" |
| 18 | 18093 | 18093 | 18093 | 18093 | 18093 | 18093 | Bolt, 5/8" - 11 x 3-1/2", grade 5 |
| 19 | 19600 | 19600 | 19600 | 19600 | 19600 | 19600 | Locknut, 5/8" - 11 |
| 20 | 18542 | 18542 | 18542 | 18542 | 18542 | 17657 | Cylinder cup, 4" nom. (MK111: 4-1/2" nom.) |
| 21 | 18736 | 18736 | 18736 | 18736 | 18736 | 18736 | Street tee, 3/8" |
| 22 | 18739 | 18739 | 18739 | 18739 | 18739 | 18739 | Hydraulic hose, 3/8" x 17" long |
| 23 | -- | -- | -- | -- | 17468 | 17468 | Hydraulic hose, 3/8" x 32" long |
| 24 | -- | -- | -- | -- | 17457 | -- | Hydraulic hose, 3/8" x 390" long |
| 24A | -- | -- | -- | -- | -- | 17672 | Hydraulic hose, 3/8" x 473" long |
| 24B | -- | -- | -- | 27480 | -- | -- | Hydraulic hose, 3/8" x 273" long |
| 25 | -- | -- | -- | 17381 | 17381 | 17381 | Check valve |
| 26 | -- | -- | -- | 17382 | 17382 | 17382 | O-ring, 5/8" OD x 1/2" ID x 1/16" CS |
| | 18033 | 18034 | 18035 | 27535 | 17466 | 17650 | Cylinder assembly |

MK Reverser

MK80, MK100, MK130

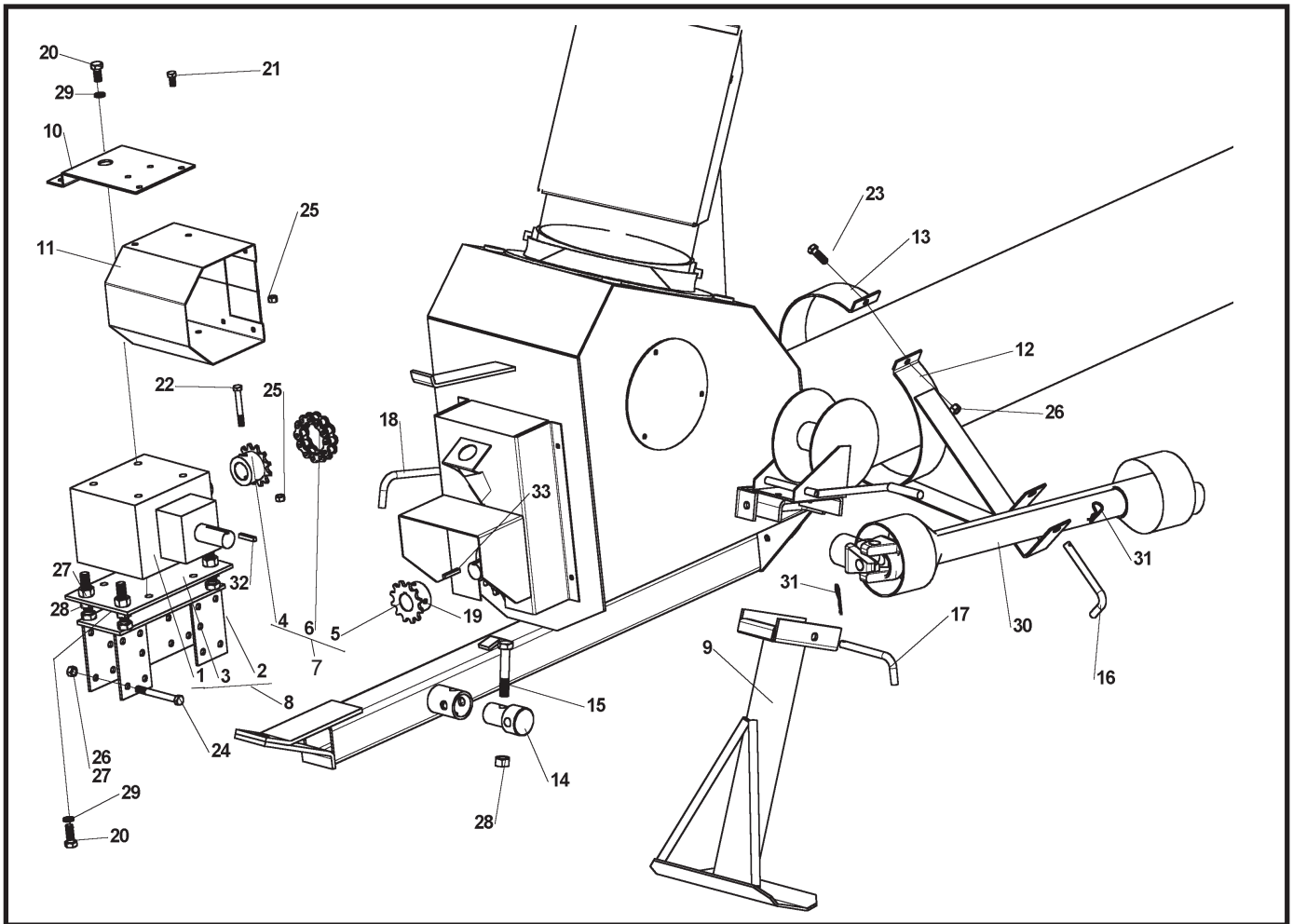


| REF. NO. | PART NO. | | | PARTS DESCRIPTION |
|----------|----------|-------|-------|---|
| | MK80 | MK100 | MK130 | |
| 1 | 17051 | 17051 | 17052 | Lower coupler |
| 2 | 17053 | 17053 | 17054 | Reverser coupler |
| 3 | 18710 | 18713 | 18525 | Lower sprocket |
| 4 | 18710 | 18713 | 19779 | Upper sprocket |
| 5 | 18710 | 17067 | 17068 | Reverser sprocket |
| 6 | 18725 | 18726 | 19781 | Roller chain (MK130 add one 17400 - half link) |
| 7 | 18176 | 18176 | 17023 | Spline shaft |
| 8 | 17055 | 17055 | 17056 | Hitch extension |
| 9 | 17057 | 17057 | 17058 | Shield |
| 10 | 17059 | 17059 | 17060 | Bracket (MK130 not as shown) |
| 11 | 17061 | 17061 | -- | Stub shaft (hyd. drive only) |
| 12 | 17062 | 17062 | -- | Bearing bracket (hyd. drive only) |
| 13 | 18817 | 18817 | 18853 | Bearing, less flanges |
| 14 | 18853 | 18853 | 18853 | Bearing, less flanges |
| 15 | 18694 | 18694 | 18695 | Flangette |
| 16 | 18695 | 18695 | 18695 | Flangette |
| 17 | 19567 | 19567 | 18518 | Bearing assembly |
| 18 | 18852 | 18852 | -- | Bearing insert only |
| 19 | 17063 | 17063 | 17064 | Saddle extension |
| 20 | 19538 | 19538 | -- | Bolt, 5/16" - 18 x 3/4", grade 2 |
| 21 | -- | -- | 18091 | Bolt, 5/16" - 18 x 1", grade 2 |
| 22 | 18106 | 18106 | -- | Bolt, 5/16" - 18 x 1-1/4", shear grade 2 |

| REF. NO. | PART NO. | | | PARTS DESCRIPTION |
|----------|----------|-------|-------|---|
| | MK80 | MK100 | MK130 | |
| 23 | 19540 | 19540 | 19540 | Bolt, 3/8" - 16 x 3/4", grade 2 |
| 24 | 19542 | 19542 | -- | Bolt, 7/16" - 14 x 1", grade 5 |
| 25 | 19589 | 19589 | -- | Bolt, 1/2" - 13 x 1-1/2", grade 5 |
| 26 | -- | -- | 19590 | Bolt, 5/8" - 11 x 1-1/2", grade 5 |
| 27 | -- | -- | 18544 | Bolt, 5/8" - 11 x 1-3/4", grade 5 |
| 28 | 18545 | 18545 | 18545 | Bolt, 5/8" - 11 x 4-1/2", grade 5 |
| 29 | 19592 | 19592 | -- | Bolt, 3/4" - 10 x 2", grade 5 |
| 30 | -- | -- | 19978 | Bolt, 3/4" - 10 x 3", grade 5 |
| 31 | 19595 | 19595 | 19595 | Washer locknut, 5/16" - 18 |
| 32 | 19596 | 19596 | 19596 | Washer locknut, 3/8" - 16 |
| 33 | 19598 | 19598 | -- | Locknut, 7/16" - 14 |
| 34 | 19599 | 19599 | 19599 | Locknut, 1/2" - 13 |
| 35 | 19600 | 19600 | 19600 | Locknut, 5/8" - 11 |
| 36 | 19601 | 19601 | 19601 | Locknut, 3/4" - 10 |
| 37 | 18079 | 18079 | -- | Roll pin, 5/16" x 2" |
| 38A | -- | 28584 | -- | Roll pin, 5/16" x 2-1/2" (MK81-91 only) |
| 38 | -- | -- | 18546 | Roll pin, 3/8" x 2-1/2" |
| 39 | 19606 | 19606 | -- | Square key, 1/4" x 1-1/2" |
| 40 | 19607 | 19607 | -- | Square key, 1/4" x 3" |
| 41 | -- | -- | 17066 | Square key, 3/8" x 1-3/4" |
| 42 | -- | -- | 18541 | Square key, 3/8" x 3-1/2" |
| 43 | -- | -- | 17607 | Jack extension bolt, 5/8" |
| 44 | -- | -- | 17606 | Jack mount extension |

A199, A200, A201

MK Right Angle Drive



| REF NO. | PART NO. | | | PARTS DESCRIPTION |
|---------|----------|-------|-------|---|
| | MK80 | MK100 | MK130 | |
| 1 | 19585 | 19585 | 17250 | Gearbox |
| 2 | 17594 | 17594 | 17601 | Gearbox mount weldment |
| 3 | 17597 | 17597 | 17604 | Adjust plate |
| 4 | 17636 | 17636 | -- | Coupling spkt, 1-1/4" w/bolt |
| 4 | -- | -- | 17608 | Coupling spkt, 1-3/4" w/keyway |
| 5 | 19802 | 19802 | -- | Coupling spkt, 1-1/4" w/keyway |
| 5 | -- | -- | 17608 | Coupling spkt, 1-3/4" w/keyway |
| 6 | 19559 | 19559 | -- | Chain #60 x 12 c/w con. link |
| 6 | -- | -- | 17254 | Chain #60X16 DS c/w con. link |
| 7 | 17637 | 17637 | 17641 | Flex connector |
| 8 | 17596 | 17596 | 17603 | Gearbox assembly as shipped |
| 9 | 17595 | 17595 | 17602 | Leg |
| 10 | 17598 | 17598 | 17605 | PTO shield attach plate |
| 11 | 17232 | 17232 | 17258 | PTO shield assembly |
| 12 | 19461 | 19804 | 17259 | PTO transport saddle |
| 13 | 19460 | 19801 | 18987 | Halfband |
| 14 | -- | -- | 28429 | Jack mount extension |
| | -- | -- | 17606 | Jack mount extension (Before July 2007) |
| 15 | -- | -- | 17607 | Jack mount extension bolt |
| 16 | 19648 | 19648 | 19648 | Saddle mount pin |
| 17 | 19648 | 19648 | 17181 | Leg mount pin |
| 18 | 18074 | 18074 | 18074 | Mount pin (leg storage on winch mount) |
| 19 | 19225 | 19225 | 19225 | Set-screw 5/16" - 18 x 3/8" |

| REF NO. | PART NO. | | | PARTS DESCRIPTION |
|---------|----------|-------|-------|---|
| | MK80 | MK100 | MK130 | |
| 20 | 19549 | 19549 | -- | Bolt, 1/2" - 13 x 1", grade 5 black |
| | -- | -- | 17261 | Bolt, 5/8" - 11 x 1-1/4", grade 5 black |
| 21 | 19540 | 19540 | 19540 | Bolt, 3/8" - 16 x 3/4", grade 5 |
| 22 | 17635 | 17635 | -- | Bolt, 3/8" - 16 x 2-3/4", grade 8 |
| 23 | 19542 | 19542 | -- | Bolt, 7/16" - 14 x 1", grade 5 |
| 23 | -- | -- | 18698 | Bolt, 7/16" - 14 x 1-1/4", grade 5 |
| 24 | 19982 | 19982 | -- | Bolt, 7/16" - 14 x 4", grade 5 |
| 24 | -- | -- | 17632 | Bolt, 5/8" - 11 x 5-1/2", grade 5 |
| 25 | 19596 | 19596 | 19596 | Washer-locknut, 3/8" - 16 |
| 26 | 19598 | 19598 | 19598 | Locknut, 7/16" - 14 |
| 27 | -- | -- | 19600 | Locknut, 5/8" - 11 |
| 28 | 19864 | 19864 | 19864 | Hexnut, 5/8" - 11 |
| 29 | 19605 | 19605 | -- | Lockwasher, 1/2" |
| 29 | -- | -- | 17262 | Lockwasher, 5/8" |
| 30 | 17610 | 17610 | -- | PTO driveline, 60" |
| 30 | -- | -- | 17260 | PTO driveline, 72" |
| 31 | 19463 | 19463 | 19463 | Hairpin |
| 32 | 19606 | 19606 | -- | Square key, 1/4" x 1-1/2" |
| 32 | -- | -- | 17066 | Square key, 3/8" x 1-3/4" |
| 33 | 19607 | 19607 | -- | Square key, 1/4" x 3" |
| 33 | -- | -- | 18541 | Square key, 3/8" x 3-1/2" |