



FLAT STORAGE

Quality, strength and efficiency
– 60 years of experience obliges...





▶ Floor Storage Silos

- Made of galvanized steel sheets
- Height from 2.00 m to 8.00 m
- Self-supporting construction
- Easy cleaning
- Resists any attack from vermin
- Easy and quick assembly – suited for self-installation
- Solid and flexible construction

A simple, strong construction makes this system easy to install in both existing and new buildings and the system is self-supporting – all the pressure is absorbed by the silo itself. Therefore no demands are made on the ability of the building to withstand pressure.

All the components of each steel silo are delivered in the correct dimensions according to the approved drawings so materials do not need to be adjusted on site.



▲ Plank gates

▶ Post System Walling

- Movable and flexible solution
- Free-standing
- Consists of painted H-iron posts in embedding troughs. Damp-proof wooden panels with reinforced edges are placed between the posts.
- Wall height from 1.8 to 4.2 m



▶ Wooden main air ducts

- Consists of strong frames boarded with veneer sheets in hardwood
- Catwalk above main duct for easy crop inspection
- Bolted directly into an even floor without further foundation and tension rods
- Quick and simple assembly
- Suited for self-installation
- Main ducts width: 92, 122 or 150 cm
- Main duct height: 245, 305 or 366 cm





▶ Half round Side Ducts

- Hot-galvanized sheet metal
- Great mould accuracy and very high support capacity
- Easy assembly on a even floor
- 1.5 - 2.0 mm perforations, round holes
- Favorable for on-floor flat storage solution
- The side duct comes in 3 sizes

The GP side duct with closed or open top is a universal duct suited for all types of crop drying and ventilation.

The GP-900 side duct is suited for duct lengths up to 8-10 m in seed and 10 – 12 m in grain (drying).

The GP-1600 side duct is suited for duct lengths up to 10 – 12 m in seed and 12 – 18 m in grain (drying).



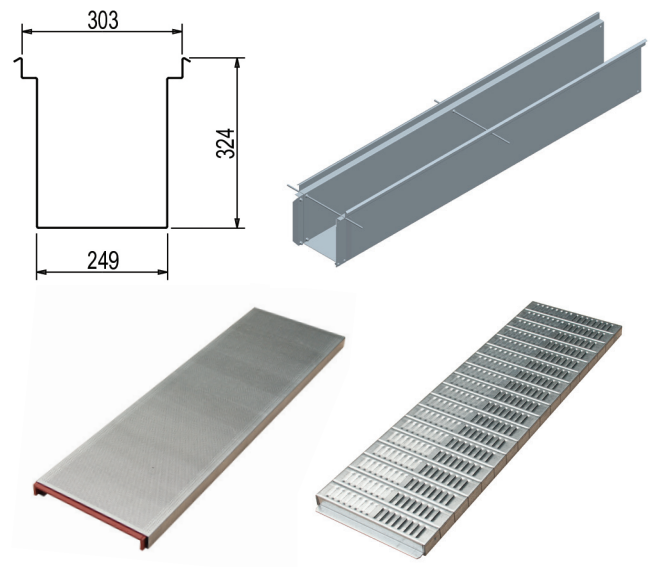
Duct distance during drying: Grain 100 cm. Seed 80 cm

	S-900	S-1600	S-2500
Height	24 cm	32 cm	40 cm
Width	48 cm	64 cm	80 cm
Length	92 cm	92 cm	92 cm
Efficient length	85 cm	85 cm	85 cm

▶ Drive-Over Side Ducts

- Drive-over safe, withstands 10-14 tons of axle pressure
- Quick loading and unloading
- Also for canola and grass seed without hessian
- Suited for self-installation
- Available with embedding troughs
- Slotted or fully perforated surface, - up to 26% open area

During filling of the crops it is possible to drive directly into the flat storage with the vehicle and unload, and afterwards push the crops in place with a front loader.



Our special embedding troughs make the task of concrete casting easier as well as making the ducts extremely easy to clean. These troughs are 20, 30 or 40 cm deep and made of galvanized steel. The center distance for grain is approx. 70-75 cm and for seed approx. 60-65 cm.

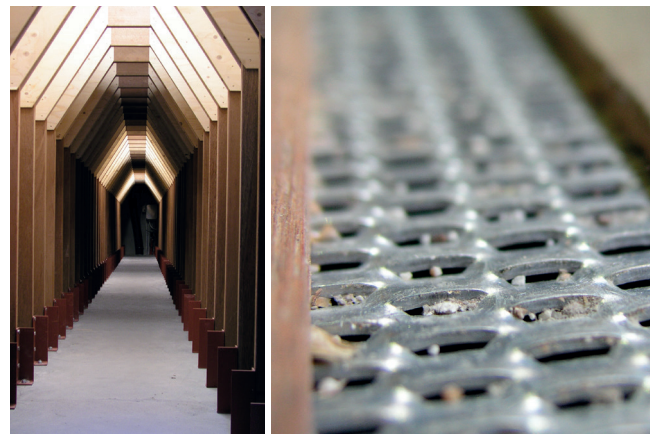


Flach & Le-Roy Drive-On Floors

- The original Flach & Le-Roy crop drying ventilation systems – 10 years of warranty
- You may dry all kinds of crops
- Excellent air distribution ideal for difficult-to-dry crops
- High-strength, durable floors can withstand 10 tons axle weight
- Simple filling and unloading
- Easy assembly, ideal for self-installation
- Very easy cleaning and large security for clean crops during handling process
- Can be placed on existing concrete floor
- Low build-in height of ready floor

The floor construction comprises high specification kiln dried hardwood boards mounted on pressure-treated bearers providing a highly stable, strong and durable floor. Each top board is separated by a perforated steel mesh enabling excellent air distribution over the entire floor area.

Flach & Le-Roy main air ducts are manufactured using the same high-grade timber as in the floors and designed for maximum air distribution efficiency to ensure that air is delivered precisely where it is needed.



The brochures are subject to printing errors and technical errors.

