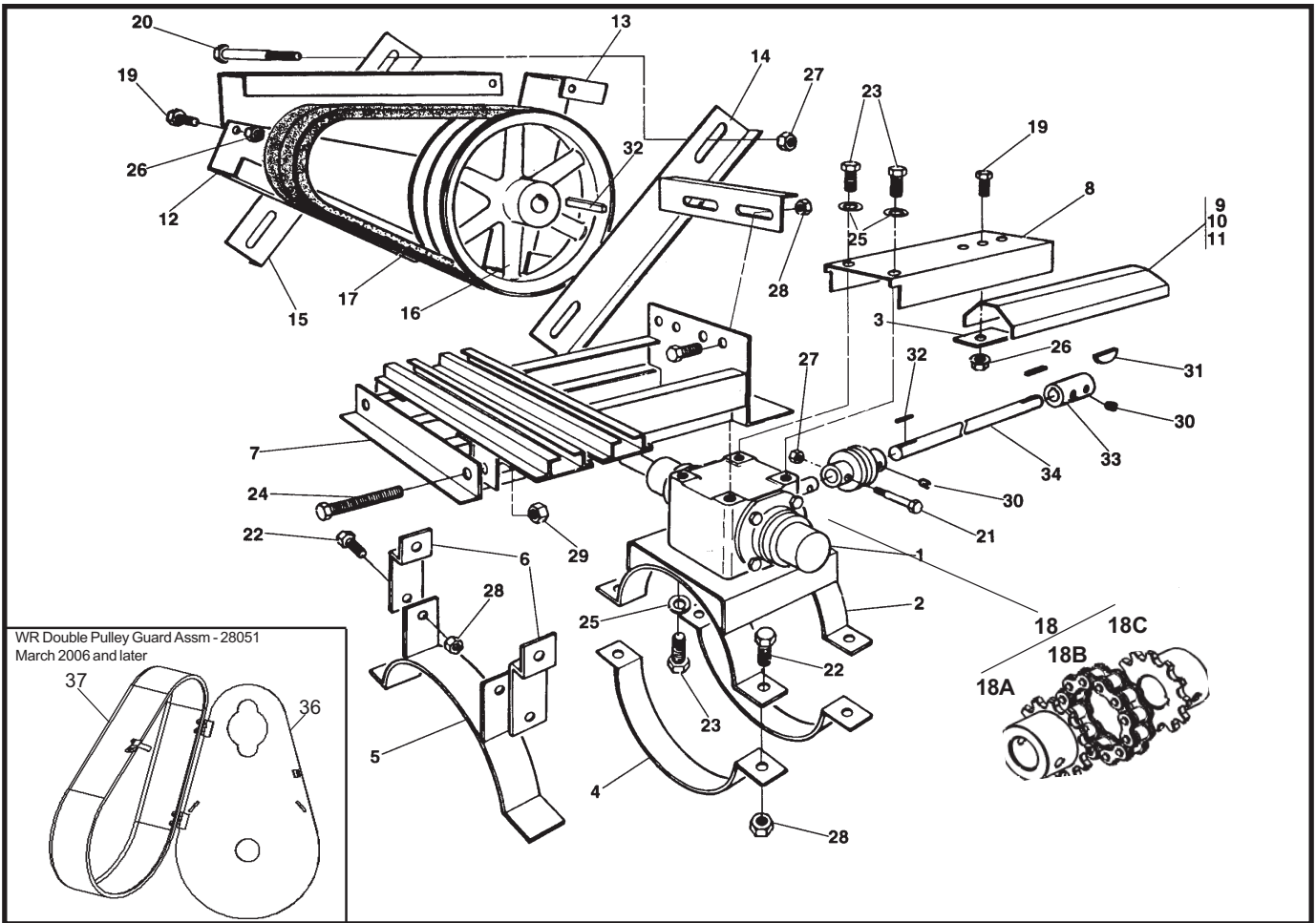


(W & WR60, 70, 80 x 26' & 31')

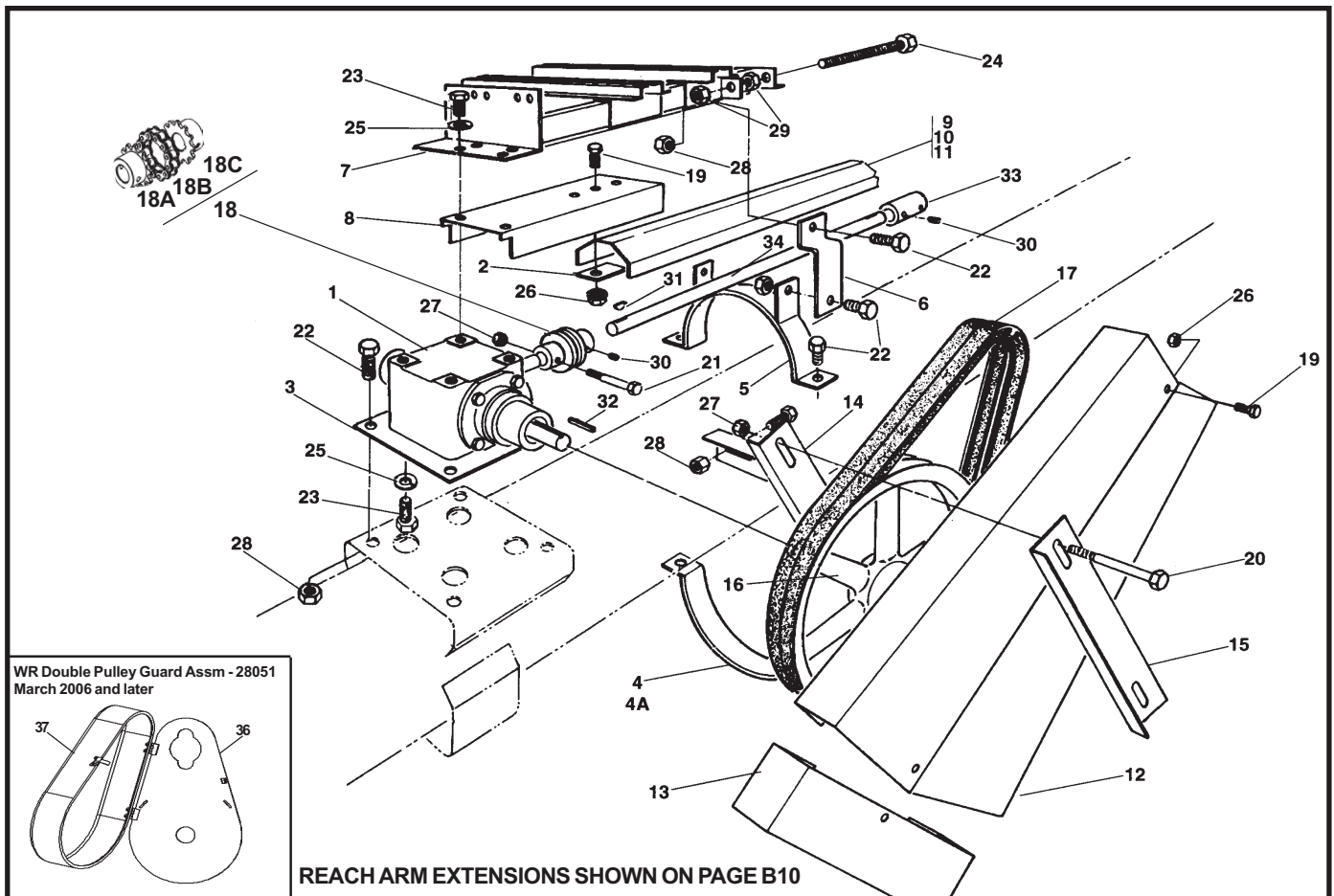
EMD - Electric Motor Drive



REF. NO.	PART NO.	PARTS DESCRIPTION	NO. REQ'D
1	19473	Gearbox	1
2	19021	Gearbox mount, (W & WR60)	1
2	19919	Gearbox mount, (W & WR70)	1
2	19920	Gearbox mount, (W & WR80)	1
3	19627	Shield securing bracket	1
4	19022	Tube halfband, (W & WR60)	3
4	19199	Tube halfband, (W & WR70)	3
4	19460	Tube halfband, (W & WR80)	3
5	19921	Halfband bracket, (W & WR60)	1
5	19922	Halfband bracket, (W & WR70)	1
5	19923	Halfband bracket, (W & WR80)	1
6	19926	Mount strap	2
7	19927	Electric motor mount	1
8	19626	Slip connector shield	1
9	19928	Driveshaft shield, 24" long	1
10	19254	Driveshaft shield, 42" long	x
11	19255	Driveshaft shield, 48" long	x
12	19845	Pulley shield	1
13	19930	Pulley shield extension	1
14	19931	Shield bracket	1
15	19932	Attach bracket	1
16	19613	Double groove 13" pulley, 1" bore	1
17	19934	Belt, B62	2

REF. NO.	PART NO.	PARTS DESCRIPTION	NO. REQ'D
18	17592	Flex connector, 1" x 1" bore	1
18A	19557	Flex connector sprocket, 1" bore w/keyway	1
18B	19559	Roller chain	1
18C	17591	Flex connector sprocket, 1" bore w/bolt	1
19	19537	Bolt, 1/4" - 20 x 1/2", grade 2	x
20	19936	Bolt, 5/16" - 18 x 5", grade 2	x
21	17631	Bolt, 5/16" - 18 x 2-1/2", grade 2	x
22	19542	Bolt, 7/16" - 14 x 1", grade 5	x
23	19540	Bolt, 3/8" - 16 x 3/4", grade 2	x
24	19937	Bolt, 1/2" - 13 x 9", special	x
25	19604	Lockwasher, 3/8"	x
26	19594	Washer-locknut, 1/4" - 20	x
27	19980	Locknut, 5/16" - 18	x
28	19598	Locknut, 7/16" - 14	x
29	19602	Hex nut, 1/2" - 13	x
30	19225	Setscrew, 3/8" - 16 x 3/8"	x
31	19224	Woodruff key, 1/4" x 1"	x
32	19606	Sq. key, 1/4" x 1-1/2"	x
33	19119	Driveshaft connector, 1" bore	1
34	19650	Driveshaft, 1" x 28" long	1
35	28051	WR Double Pulley Guard Assm	1
36	28045	WR Double Guard Backplate	1
37	28049	Small Plastic Guard only	1

# EMD - Electric Motor Drive (W & WR60 x 36'-61'/70-80 x 36-51')

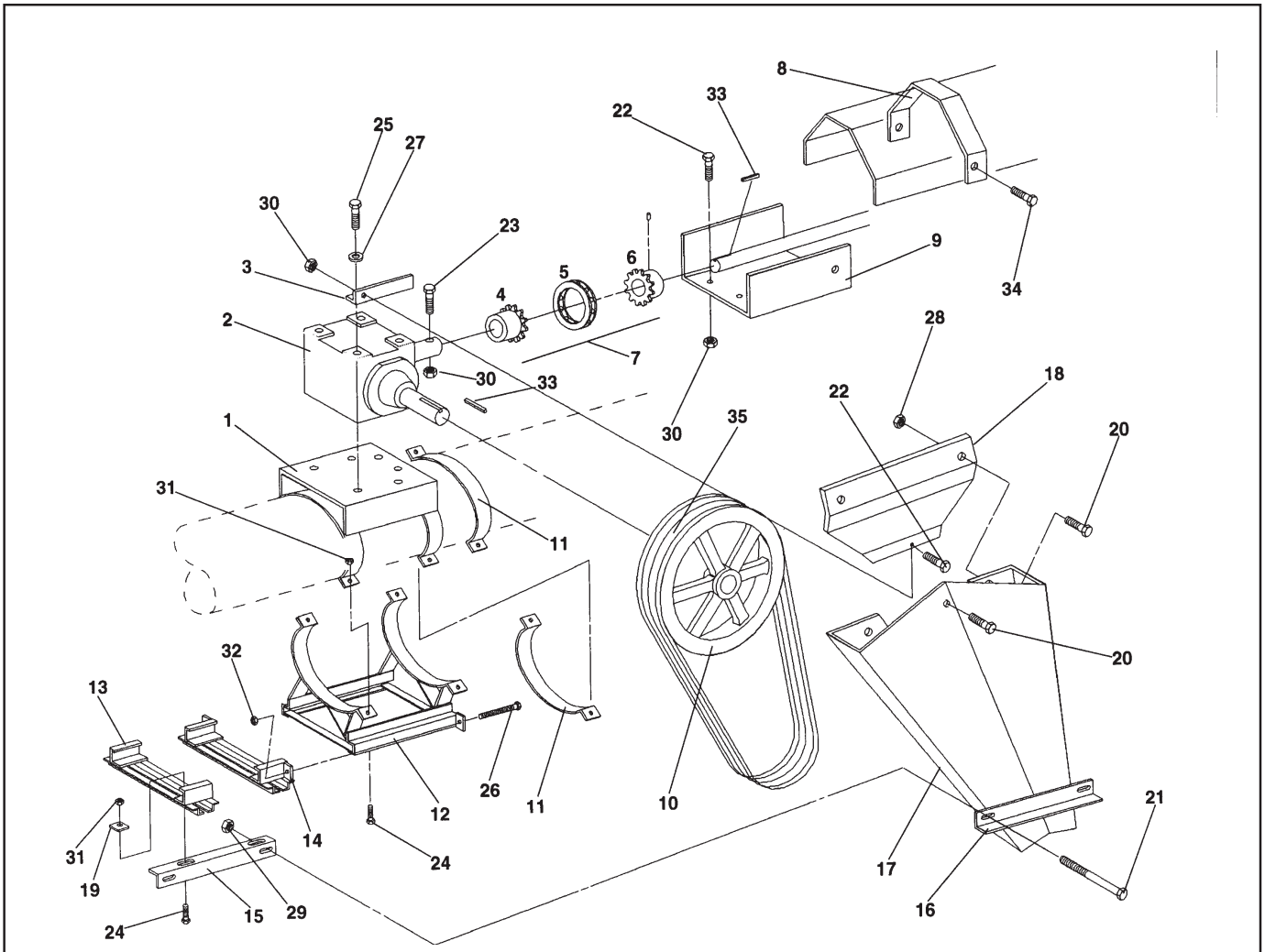


REF. NO.	PART NO.	PARTS DESCRIPTION	NO. REQ'D
1	19473	Gearbox	1
2	19627	Shield securing bracket	1
3	19633	Gearbox mounting plate	1
4	19022	Tube halfband, (W & WR60)	1
4A	17338	Over track halfband (WR60 x 51' & 61')	1
4	19199	Tube halfband, (W & WR70)	1
4	19460	Tube halfband, (W & WR80)	1
5	19921	Halfband bracket, (W & WR60)	1
5	19922	Halfband bracket, (W & WR70)	1
5	19923	Halfband bracket, (W & WR80)	1
6	19926	Mount strap	2
7	19927	Electric motor mount	1
8	19626	Slip connector shield	1
9	19928	Driveshaft shield, 24" long	1
10	19254	Driveshaft shield, 42" long	x
11	19255	Driveshaft shield, 48" long	x
12	19845	Pulley shield	1
13	19930	Pulley shield extension	1
14	19931	Shield bracket	1
15	19932	Attach bracket	1
16	19613	Double groove 13" pulley, 1" bore	1
17	19934	Belt, B62	2
18	17592	Flex connector, 1" x 1" bore	1
18A	19557	Flex connector sprocket, 1" bore w/keyway	1
18B	19559	Roller chain	1

REF. NO.	PART NO.	PARTS DESCRIPTION	NO. REQ'D
18C	17591	Flex connector sprocket, 1" bore w/bolt	1
19	19537	Bolt, 1/4" - 20 x 1/2", grade 2	x
20	19936	Bolt, 5/16" - 18 x 5", grade 2	x
21	17631	Bolt, 5/16" - 18 x 2-1/2", grade 2	x
22	19542	Bolt, 7/16" - 14 x 1", grade 5	x
23	19540	Bolt, 3/8" - 16 x 3/4", grade 2	x
24	19937	Bolt, 1/2" - 13 x 9", special	x
25	19604	Lockwasher, 3/8"	x
26	19594	Washer-locknut, 1/4" - 20	x
27	19980	Locknut, 5/16" - 18	x
28	19598	Locknut, 7/16" - 14	x
29	19602	Hex nut, 1/2" - 13	x
30	19225	Setscrew, 3/8" - 16 x 3/8"	x
31	19224	Woodruff key, 1/4" x 1"	x
32	19606	Sq. key, 1/4" x 1-1/2"	x
33	19119	Driveshaft connector, 1" bore	1
34	19628	Driveshaft, 1" x 4' 9" long (W&WR60, 70-36 to 51')	1
34	19629	Driveshaft, 1-1/4" x 4' 6" long (W&WR80-36' & 41')	1
34	19630	Driveshaft, 1-1/4" x 10' 8-1/2" long (W80 - 46')	1
34	17189	Driveshaft, 1-1/4" x 10' 2-1/2" long (WR80 - 46')	1
34	19631	Driveshaft, 1-1/4" x 14' 4" long (W80 - 51')	1
34	17190	Driveshaft, 1-1/4" x 13' 10" long (WR80 - 51')	1
35	28051	WR Double Pulley Guard Assm.	1
36	28045	WR Double Guard Backplate	1
37	28049	Small Plastic Guard only	1

(W 130 x 41')

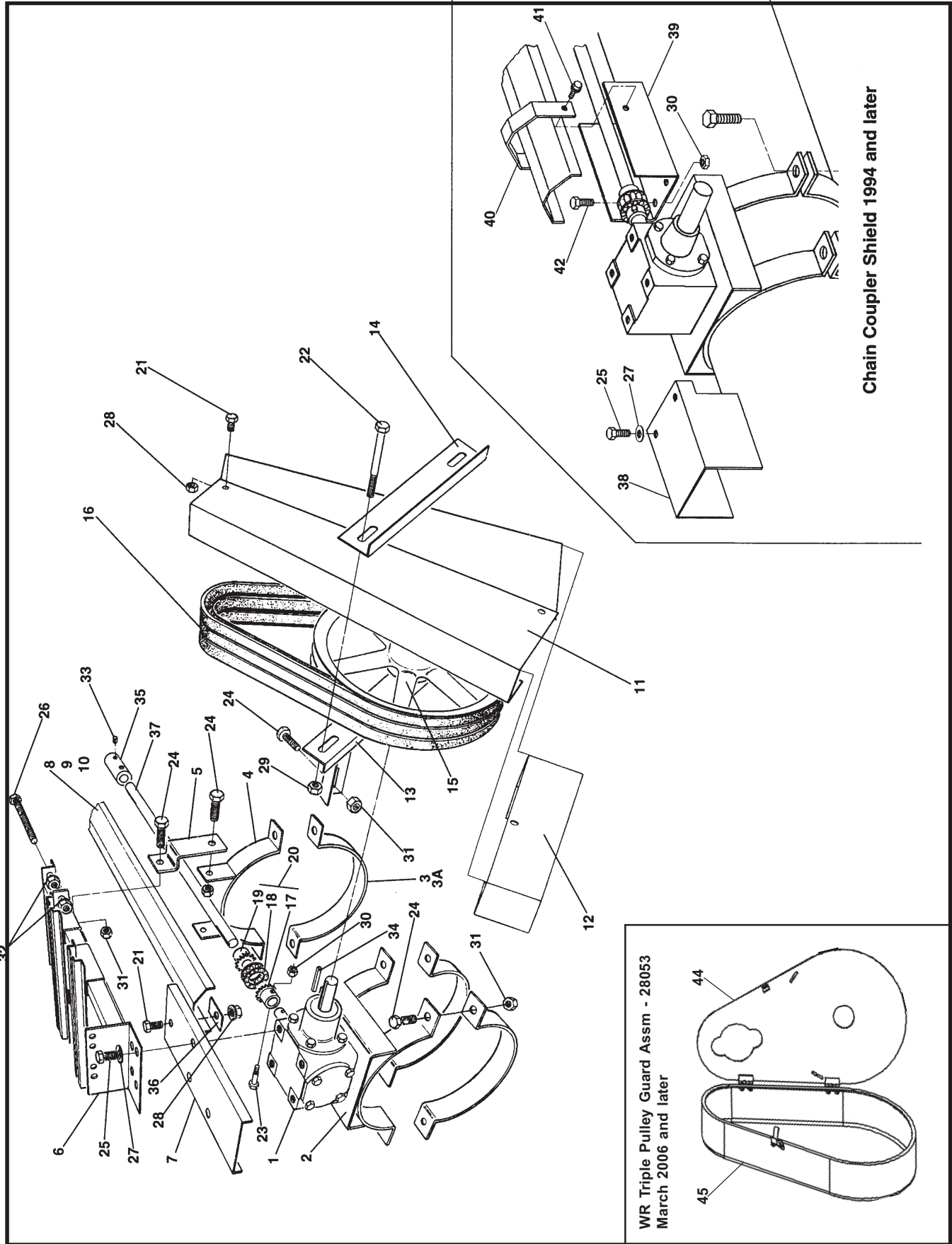
# EMD - Electric Motor Drive



REF. NO.	PART NO.	PARTS DESCRIPTION	NO. REQ'D
1	17233	Gearbox mount	1
2	19585	Gearbox	1
3	17234	Shield bracket	1
4	19673	Flex connector sprocket, 1-1/4" bore w/bolt	1
5	19559	Roller chain w/connector link	1
6	19802	Flex connector sprocket, 1-1/4" bore w/keyway	1
7	19803	Flex connector 1-1/4" x 1-1/4" bore	1
8	19256	Shield tiedown strap	1
9	17235	Flex connector shield	1
10	19933	15" Triple groove pulley, 1-1/4" bore	1
11	18987	Tube halfband	2
12	17236	Electric motor mount	1
13	17237	Motor mount rail	1
14	17238	Adjust motor mount rail	1
15	17239	Narrow, shield mount angle	1
16	19932	Wide, shield mount angle	1
17	17240	Pulley shield	1
18	17241	Shield mount bracket	1
19	17242	Square washer	6
20	19537	Bolt, 1/4" - 20 x 1/2", grade 2	x

REF. NO.	PART NO.	PARTS DESCRIPTION	NO. REQ'D
21	19936	Bolt, 5/16" - 18 x 5", grade 2	x
22	19540	Bolt, 3/8" - 16 x 3/4", grade 2	x
23	19541	Bolt, 3/8" - 16 x 2-3/4", grade 2	x
24	18698	Bolt, 7/16" - 14 x 1-1/4", grade 5	x
25	19549	Bolt, 1/2" - 13 x 1", grade 2	x
26	19937	Bolt, 1/2" - 13 x 9", special	x
27	19605	Lockwasher, 1/2"	x
28	19594	Washer - locknut, 1/4" - 20	x
29	19595	Washer - locknut, 5/16" - 18	x
30	19596	Washer - locknut, 3/8" - 16	x
31	19598	Locknut, 7/16" - 14	x
32	19602	Hex nut, 1/2" - 13	x
33	19606	Square key, 1/4" x 1-1/2"	x
34	19274	Selftapping screw, 1/4" - 14 x 5/8"	x
35	19211	B95 Belts	2

**EMD - Electric Motor Drive (W & WR80 x 56'-71'/all W & WR100)**



**Chain Coupler Shield 1994 and later**

**WR Triple Pulley Guard Assm - 28053  
March 2006 and later**

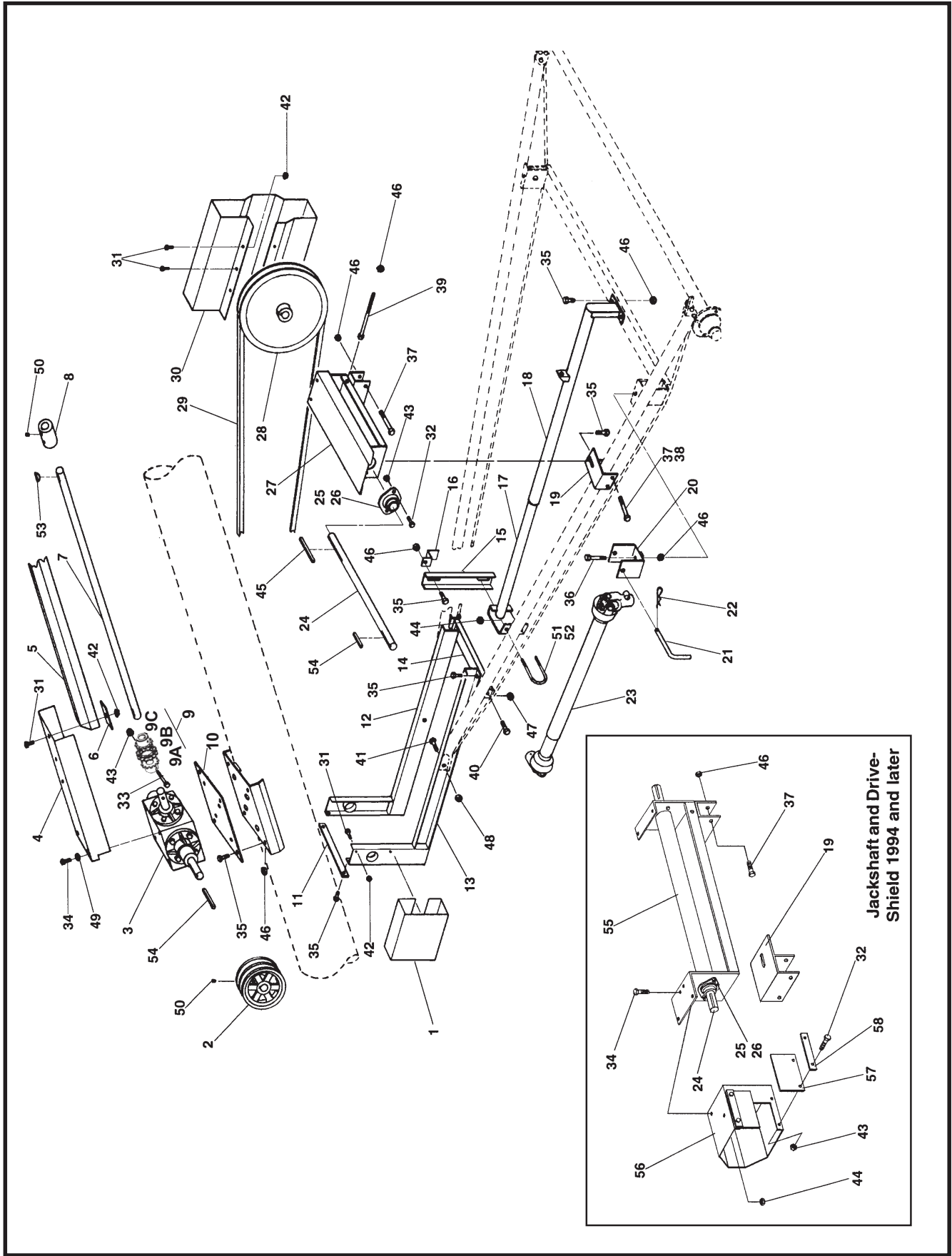
# EMD - Motor Drive (W & WR80 x 56'- 71' / all W & WR 100)

REF. NO.	PART NO.	PART DESCRIPTION	PART NO.	PART DESCRIPTION	NO. REQ'D
37	19994	Driveshaft, 1-1/4" x 18' 9" (W & WR80-56' & 61')			1
37	19939	Driveshaft, 1" x 6" WR80-71' only			1
37	17243	Driveshaft, 1" x 19" WR80-71' only			1
37	19940	Driveshaft, 1-1/4" x 3' 10" (W & WR100-31')			1
37	19941	Driveshaft, 1-1/4" x 6' 2-1/2" (W & WR100-41')			1
37	19942	Driveshaft, 1-1/4" x 11' 8" (W & WR100-51')			1
37	19943	Driveshaft, 1-1/4" x 18' 9" (W & WR100-61')			1
37	19944	Driveshaft, 1-1/4" x 6" WR100-71' only			1
37	17244	Driveshaft, 1-1/4" x 19" WR100-71' only			1
38	17245	Shield for 3 shaft gearbox			
39	17235	Chain coupler shield			
40	19256	Shield tie down strap			
41	19274	Selfflapping screw, 1/4" - 14 x 5/8"			
42	19540	Bolt, 3/8" - 16 x 3/4", grade 2			
43	28053	WR Triple Pulley Guard Assm			1
44	28047	WR Triple Guard Backplate			1
45	28048	Large Plastic Guard only			1

REF. NO.	PART NO.	PART DESCRIPTION	NO. REQ'D
1	19585	Gearbox	1
2	19586	Gearbox mount, (W & WR80)	1
2	19800	Gearbox mount, (W & WR100)	1
3	19460	Tube halfband, (W & WR80)	3
3	19801	Tube halfband, (W & WR100)	3
3A	17339	Over track halfband (WR80 x 56' & 61')	1
3A	17340	Over track halfband (WR100 x 61')	1
4	19924	Halfband bracket, (W & WR80)	1
4	19925	Halfband bracket, (W & WR100)	1
5	19926	Mount strap	2
6	19927	Electric motor mount	1
7	19929	Gearbox shield	1
8	19928	Driveshaft shield, 24" long	1
9	19254	Driveshaft shield, 42" long	X
10	19255	Driveshaft shield, 48" long	X
11	19845	Pulley shield	1
12	19930	Pulley shield extension	1
13	19931	Shield bracket	1
14	19932	Attach bracket	1
15	19933	15" triple groove pulley (1-1/4" bore)	1
16	19935	Belt, B67	3
17	19673	Flex connector sprocket, 1-1/4" bore w/bolt	1
18	19559	Roller chain w/connector link	1
19	19557	Flex connector sprocket, 1" bore w/keyway	1
19	19802	Flex connector sprocket, 1-1/4" bore w/keyway	1
20	19674	Flex connector, 1" x 1-1/4" bore	1
20	19803	Flex connector, 1-1/4" x 1-1/4" bore	1
21	19537	Bolt, 1/4" - 20 x 1/2", grade 2	X
22	19936	Bolt, 5/16" - 18 x 5", grade 2	X
23	19541	Bolt, 3/8" - 16 x 2-3/4", grade 2	X
24	19542	Bolt, 7/16" - 14 x 1", grade 5	X
25	19549	Bolt, 1/2" - 13 x 1", grade 2	X
26	19937	Bolt, 1/2" - 13 x 9", special	X
27	19605	Lockwasher, 1/2"	X
28	19594	Washer-locknut, 1/4" - 20	X
29	19980	Locknut, 5/16" - 18	X
30	19596	Washer-locknut, 3/8" - 16	X
31	19598	Locknut, 7/16" - 14	X
32	19602	Hex nut, 1/2" - 13	X
33	19225	Setscrew, 3/8" - 16 x 3/8"	X
34	19606	Square key, 1/4" x 1-1/2"	X
35	19119	Driveshaft connector, (W & WR80)	1
35	19770	Driveshaft connector, (W & WR100)	1
36	19627	Shield securing bracket	

# PTO - BD (Belt Drive)

# W & WR60, 70, 80 Series





# PTO-BD (Belt Drive)

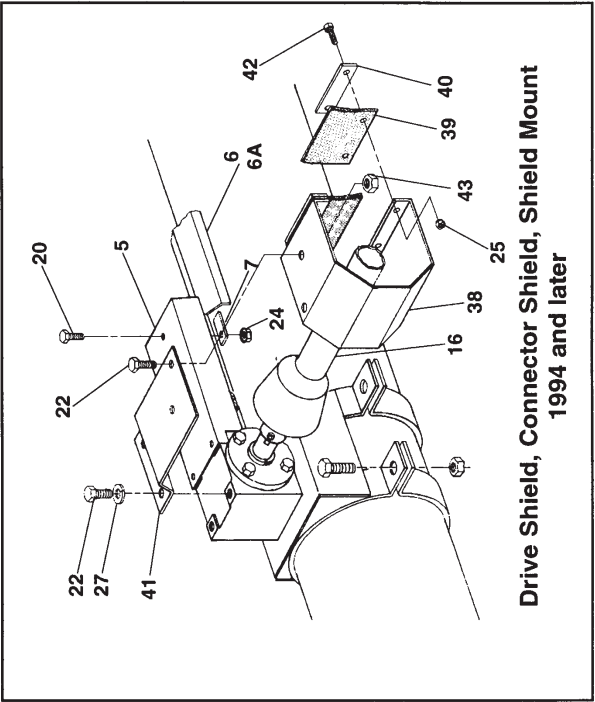
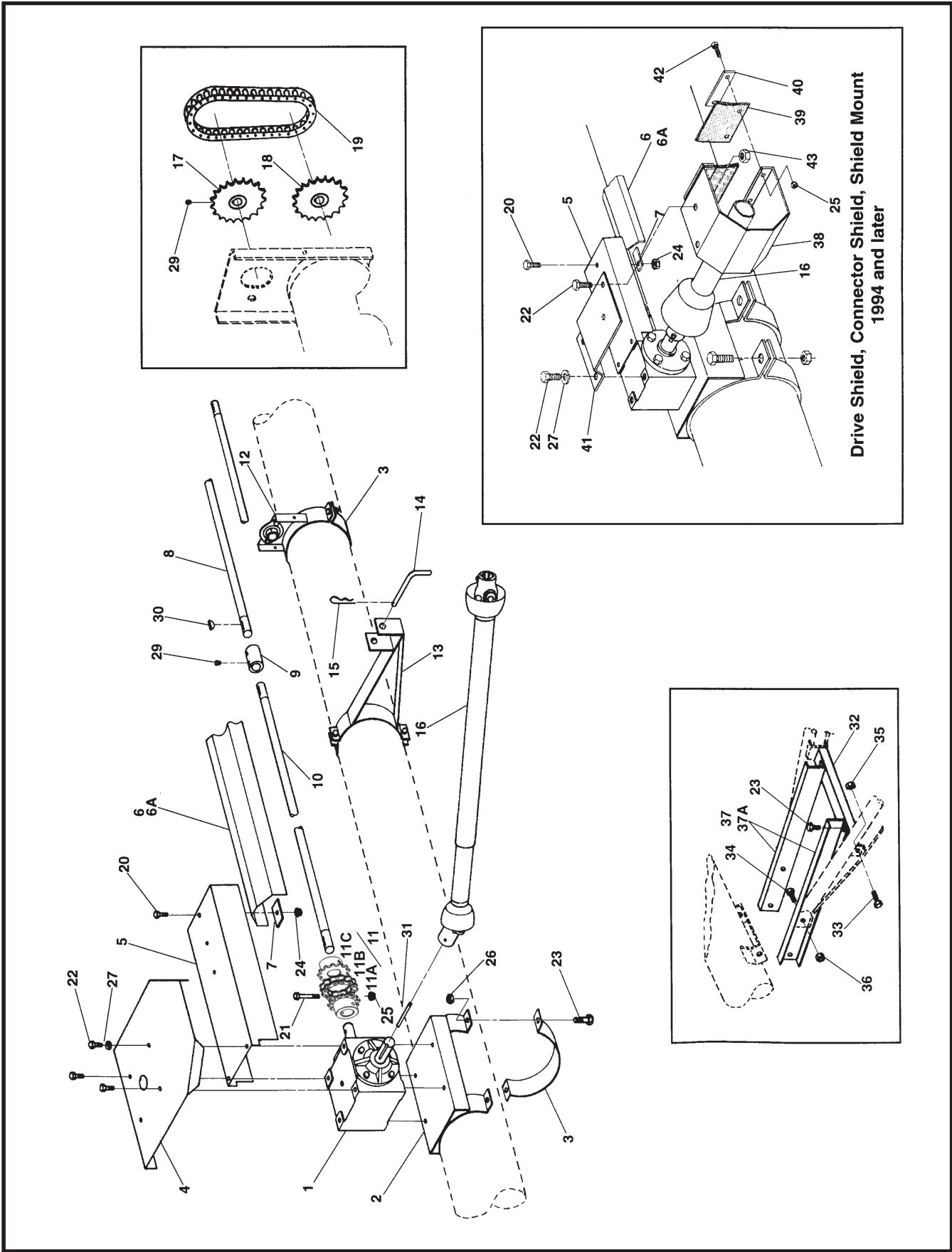
# (W & WR60, 70, 80 Series)

REF. NO.	PART NO.	PART DESCRIPTION	NO. REQD
1	19624	Small pulley shield	1
2	19625	8" pulley, single groove, W & WR60 only 1" bore	x
2	19475	8" pulley, double, W & WR70 & 80 only 1" bore	x
3	19473	Gearbox, BD	1
4	19626	Shield, slip connector	x
5	19255	48" shield, driveshaft	1
6	19627	Shield securing bracket	1
7	19628	Driveshaft, 1" x 4' 9" long, W & WR60, 70 - 36' to 51'	1
7	19629	Driveshaft, 1-1/4" x 4' 5-1/2" long, W80 - 36' & 41'	1
7	19630	Driveshaft, 1-1/4" x 10' 8-1/2" long, W80 - 46' only	1
7	17189	Driveshaft, 1-1/4" x 10' 2-1/2" long, WR80 - 46' only	1
7	19631	Driveshaft, 1-1/4" x 14' 4" long, W80 - 51' only	1
7	17190	Driveshaft, 1-1/4" x 13' 10" long, WR80 - 51' only	1
8	19119	Driveshaft connector	1
9	17592	Flex connector, 1" x 1" bore	1
9A	19557	Flex connector sprocket, 1" bore w/keyway	1
9B	19559	Roller chain	1
9C	17591	Flex connector sprocket, 1" bore w/bolt	1
10	19633	Mounting plate, gearbox	1
11	19634	Spacer bracket	1
12	19635	Extension, left reach arm	1
13	19636	Extension, right reach arm	1
14	19637	20" crossmember	1
15	19638	Channel, belt guide	1
16	19639	Belt guide, single	2
17	19640	1-3/4" support tube, W & WR60, 70, 80 - 36' augers	1
17	19641	1-3/4" support tube, W & WR60, 70, 80 - 41' augers	1
17	19642	1-3/4" support tube, W & WR70, 80 - 46' augers	1
17	19643	1-3/4" support tube, W & WR70, 80 - 51' augers	1
18	19644	2" support tube, 36' to 41' augers	1
18	18532	2" support tube, 46' to 51' augers	1
19	19645	Sliding bracket, jackshaft, 36' augers	1
19	19646	Sliding bracket, jackshaft, 41' to 51' augers	1
20	19647	Transport saddle, PTO driveline, less pin & bolt	1
21	19648	Saddle pin, less hairpin	1
22	19463	Hairpin	1
23	19520	PTO driveline, 48"	1
24	19649	1" round shaft, 23" long, for 36' to 46' augers	1
24	19650	1" round shaft, 28" long, for 51' augers	1
25	19321	1" Flangette bearing	2
26	18817	1" Bearing, less flanges	1
27	19653	Jackshaft w/bearings & shaft, for 36' to 46' augers	1
27	19654	Jackshaft w/bearings & shaft, for 51' augers	1
28	19476	15" pulley, single groove, W & WR60 augers 1" bore	1

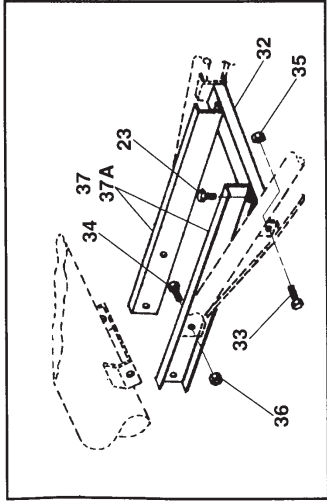
  

REF. NO.	PART NO.	PART DESCRIPTION	NO. REQD
28	18533	15" pulley, double groove, 1" bore, W & WR70/80 augers	x
29	19477	Belt B180, for 36' augers, 1 on W & WR60, 2 on W & WR70/80	x
29	19478	Belt B210, for 41' augers, 1 on W & WR60, 2 on W & WR70/80	x
29	19479	Belt B240, for 46' augers	2
29	19480	Belt B270, for 51' augers	2
30	19655	Pulley shield, large	1
31	19537	Bolt, 1/4" - 20 x 1/2", grade 2	x
32	19538	Bolt, 5/16" - 18 x 3/4", grade 2	x
33	17631	Bolt, 5/16" - 18 x 2-1/2", grade 2	x
34	19540	Bolt, 3/8" - 16 x 3/4", grade 2	x
35	19542	Bolt 7/16" - 14 x 1", grade 5	x
36	19545	Bolt, 7/16" - 14 x 2-1/4", grade 8	x
37	19546	Bolt, 7/16" - 14 x 3", grade 2, for 36" augers	x
38	19547	Bolt, 7/16" - 14 x 3-1/2", grade 2, for 41' to 51' augers	x
39	19548	Bolt, 7/16" - 14 x 8", special	x
40	19588	Bolt, 1/2" - 13 x 1-1/4", grade 5	x
41	19590	Bolt, 5/8" - 11 x 1-1/2", grade 5	x
42	19594	Washer locknut, 1/4" - 20	x
43	19595	Washer locknut, 5/16" - 18	x
44	19596	Washer locknut, 3/8" - 16	x
45	17854	Square key, 1/4" x 2-1/2"	x
46	19598	Locknut, 7/16" - 14	x
47	19599	Locknut, 1/2" - 13	x
48	19600	Locknut, 5/8" - 11	x
49	19604	Lockwasher, 3/8"	x
50	19225	Set screw, 3/8" - 16 x 3/8"	x
51	19609	U-Bolt, 3/8" - 16 x 2", for 36' augers	x
52	19610	U-Bolt, 3/8" - 16 x 2-1/2", for 41' to 51' augers	x
53	19224	Woodruff key, 1/4" x 1"	x
54	19606	Square key, 1/4" x 1-1/2"	x
55	17246	Jackshaft w/bearings & shaft, for 36' to 46' augers	
55	17247	Jackshaft w/bearings & shaft, for 51' augers	
56	17231	Shield assembly with rubber	
57	17229	Rubber flap	
58	17230	Rubber mount strap	

**PTO - SD (Shaft Drive) (W & WR60 x 31'-61'/70-80 x 31-51')**



**Drive Shield, Connector Shield, Shield Mount  
1994 and later**



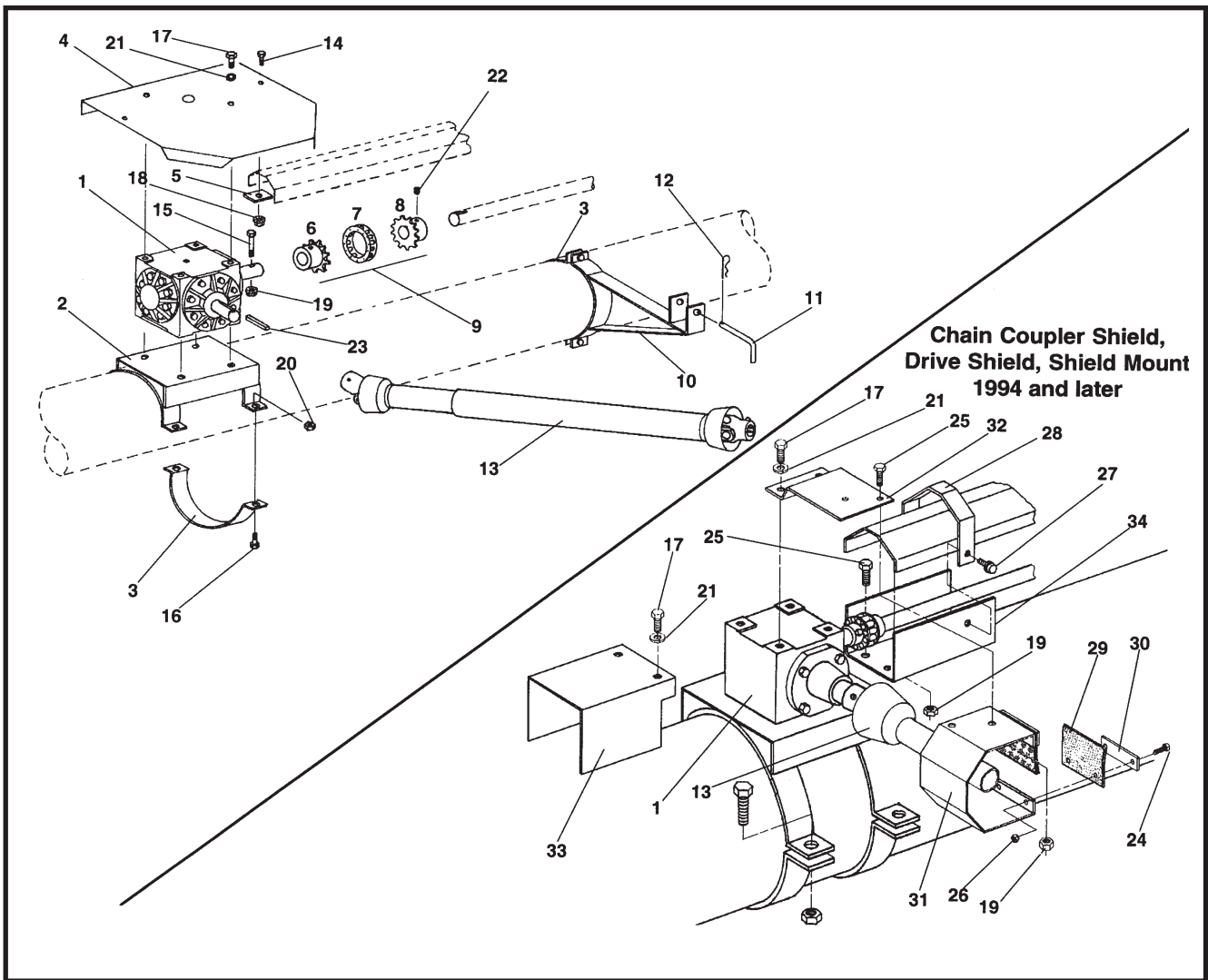


# PTO-SD (Shaft Drive) (W & WR60 x 31'-61' / 70-80 x 31'-51')

REF. NO.	PART NO.			PARTS DESCRIPTION	NO. REQD
	6"	7"	8"		
23	19542	19542	19542	Bolt, 7/16" - 14 x 1", grade 5	X
24	19594	19594	19594	Washer locknut, 1/4" - 20	X
25	19595	19595	19595	Washer locknut, 5/16" - 18	X
26	19598	19598	19598	Locknut, 7/16" - 14	X
27	19604	19604	19604	Lockwasher, 3/8"	X
28	19608	19608	19608	Set screw, 5/16" - 18 x 3/8"	X
29	19225	19225	19225	Set screw, 3/8" - 16 x 3/8"	X
30	19224	19224	19224	Woodruff key, 1/4" x 1"	X
31	19606	19606	19606	Square key, 1/4" x 1-1/2"	X
32	—	—	19536	Cross member, 19" long, 46' - 51' models	X
33	—	19588	19588	Bolt, 1/2" - 13 x 1-1/4", grade 5	X
34	—	19590	19590	Bolt, 5/8" - 11 x 1-1/2", grade 5	X
35	—	19599	19599	Locknut, 1/2" - 13	X
36	—	19600	19600	Locknut, 5/8" - 11	X
37	—	—	19670	Reach arm extension, left or right, 46'-51' models	2
37A	—	—	19949	Reach arm extension bundle	
38	17231	17231	17231	Shield assembly with rubber	
39	17229	17229	17229	Rubber flap	
40	17230	17230	17230	Rubber mount strap	
41	17248	17248	17248	Shield attach plate	
42	19538	19538	19538	Bolt, 5/16" - 18 x 3/4", grade 2	
43	19596	19596	19596	Washer locknut, 3/8" - 16	
—	—	—	19660	19990 SD gearbox, mount, half connector, as packed	1

REF. NO.	PART NO.			PARTS DESCRIPTION	NO. REQD
	6"	7"	8"		
1	19455	19455	19455	Gearbox	1
2	19021	19919	19920	Gearbox mount	1
3	19022	19199	19460	Tube halfband	X
4	19023	19023	19023	Shield, gearbox	1
5	19626	19626	19626	Shield, slip connector	1
6	19254	19254	19254	42" shield, driveshaft	X
6A	19255	19255	19255	48" shield, driveshaft	X
7	19627	19627	19627	Bracket, shield securing	1
8	19628	19628	—	1" driveshaft, 4' 9" long, (W & WR60-36'/41', W & WR70-36' to 51')	1
8	—	—	19629	1-1/4" driveshaft, 4' 5-1/2" long, W&WR80-36'/41'	1
8	—	—	19630	1-1/4" driveshaft, 10' 8-1/2" long, W80-46' only	1
8	—	—	17189	1-1/4" driveshaft, 10' 2-1/2" long, WR80-46' only	1
8	—	—	19631	1-1/4" driveshaft, 14' 4" long, W80-51' only	1
8	—	—	17190	1-1/4" driveshaft, 13' 10" long, WR80-51' only	1
9	19119	19119	19119	Driveshaft connector	X
10	19656	19656	—	1" driveshaft, 7' 3/4" long, (W & WR31' models)	1
10	19657	19657	—	1" driveshaft, 3' 2-1/2" long, (W & WR36' models)	1
10	19658	19658	—	1" driveshaft, 4' 4" long, (W & WR41' models)	1
10	—	19664	—	1" driveshaft, 5' 9" long, (W & WR46' models)	1
10	—	19656	—	1" driveshaft, 7' 3/4" long, (W & WR51' models)	1
10	—	—	19662	1-1/4" driveshaft, 3' 5-1/2" long, (W & WR36' models)	1
10	—	—	19665	1-1/4" driveshaft, 47" long, (W & WR41' models)	1
10	—	—	19666	1-1/4" driveshaft, 6' 0" long, (W & WR46' models)	1
10	—	—	19667	1-1/4" driveshaft, 7' 4-1/2" long, (W & WR31' models) (W&WR51' models)	1
11	17592	17592	17592	Flex connector, 1" x 1" bore	1
11A	19557	19557	19557	Flex connector sprocket, 1" bore w/keyway	1
11B	19559	19559	19559	Roller chain	1
11C	17591	17591	17591	Flex connector sprocket, 1" bore w/bolt	1
12	19659	19668	19669	Strap-on bearing	X
13	19025	19202	19461	Transport saddle	1
14	19648	19648	19648	Saddle pin	1
15	19463	19463	19463	Hairpin	1
16	19945	19945	19945	PTO driveline, 60" long	1
17	19027	19027	19946	Sprocket,	1
18	19027	19027	19946	Sprocket,	1
19	19015	19133	19432	Roller chain w/connector	1
20	19537	19537	19537	Bolt, 1/4" - 20 x 1/2", grade 2	X
21	17631	17631	17631	Bolt, 5/16" - 18 x 2-1/2", grade 2	X
22	19540	19540	19540	Bolt, 3/8" - 16 x 3/4", grade 2	X

# PTO - SD (Shaft Drive) (W&WR 80x56'-71' all W&WR 100)



REF. NO.	PART NO.		PARTS DESCRIPTION
	8"	10"	
1	19585	19585	Gearbox, SD
2	19586	19800	Mount, gearbox, less halfbands
3	19460	19801	Halfband, tube
4	19587	19587	Shield, gearbox
5	19627	19627	Bracket, shield securing
6	19673	19673	Sprocket, flex connector, 1-1/4" bore w/bolt hole
7	19559	19559	Roller chain w/connector link
8	19557	—	Sprocket, flex connector 1" bore
8	—	19802	Sprocket, flex connector, 1-1/4" bore
9	19674	19803	Complete flex connector
10	19461	19804	Transport saddle, PTO, less halfband
11	19648	19648	Saddle pin, less hairpin
12	19463	19463	Hairpin
13	19806	19806	PTO driveline, 60" long
14	19537	19537	Bolt, 1/4" - 20 x 1/2", grade 2
15	19541	19541	Bolt, 3/8" - 16 x 2-3/4", grade 2
16	19542	19542	Bolt, 7/16" - 14 x 1", grade 5
17	19549	19549	Bolt, 1/2" - 13 x 1", grade 2
18	19594	19594	Washer locknut, 1/4" - 20
19	19596	19596	Washer locknut, 3/8" - 16

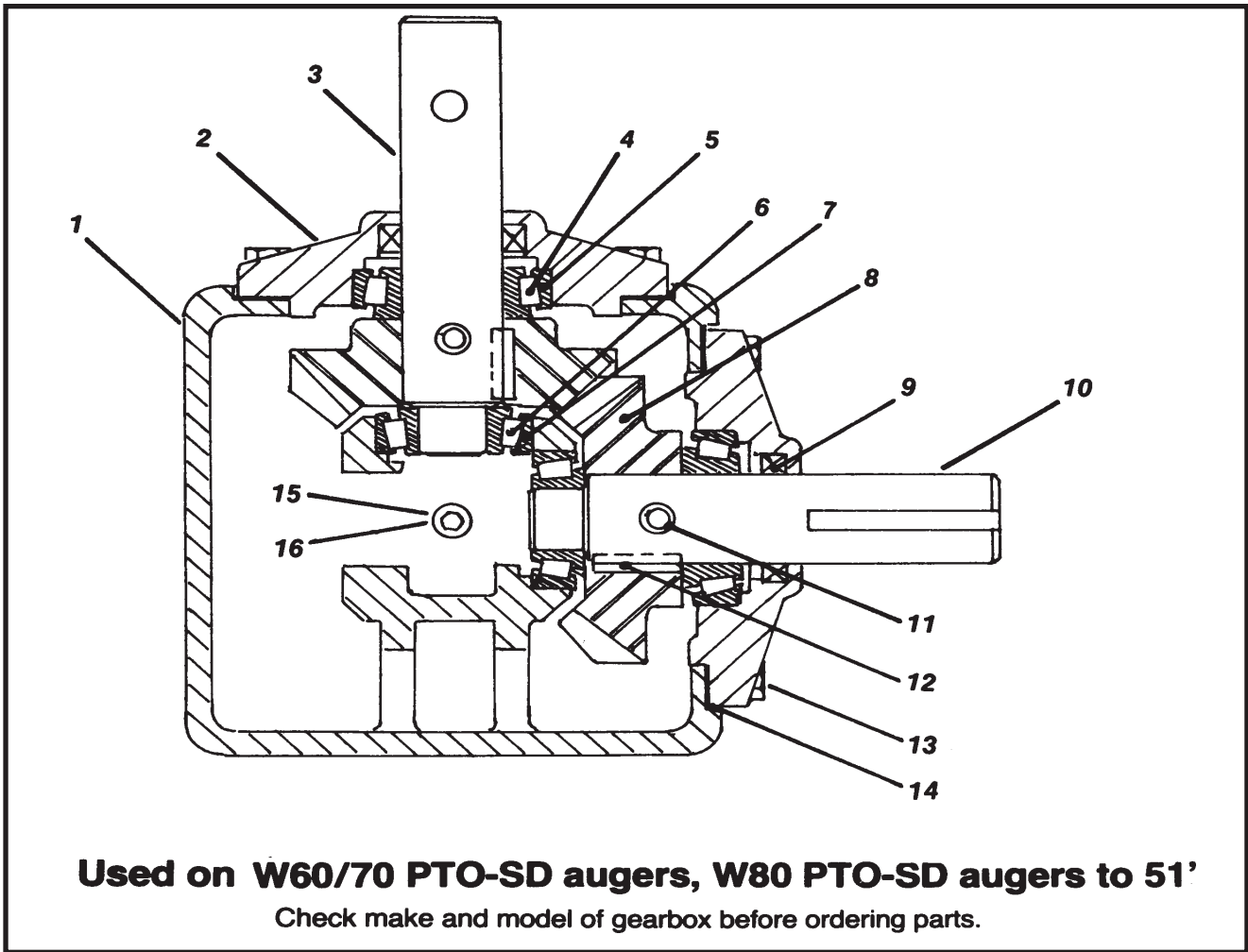
REF. NO.	PART NO.		PARTS DESCRIPTION
	8"	10"	
20	19598	19598	Locknut, 7/16" - 14
21	19605	19605	Lockwasher, 1/2"
22	19608	19608	Setscrew, 5/16" - 18 x 3/8"
23	19606	19606	Sq. key, 1/4" x 1-1/2"
24	19538	19538	Bolt, 5/16" - 18 x 3/4", grade 2
25	19540	19540	Bolt, 3/8" - 16 x 3/4", grade 2
26	19595	19595	Washer locknut, 5/16" - 18
27	19274	19274	Self tapping screw, 1/4" - 14 x 5/8"
28	19256	19256	Shield tiedown strap
29	17229	17229	Rubber flap
30	17230	17230	Rubber mount strap
31	17232	17232	Shield assembly with rubber
32	17249	17249	Shield attach plate
33	17245	17245	Shield for 3 shaft gearbox
34	17235	17235	Chain coupler shield
	19675	19805	SD gearbox, mount, flex connector, as packed

# COMPONENT PARTS

Description	Page
Gearbox model 211A (Curtis) .....	D2
Gearbox model 211M4A (Curtis) .....	D3
Gearbox model 412 (Curtis) .....	D4
Gearbox model 403 (Prairie) .....	D5
Gearbox model 416 (Prairie) .....	D6
Gearbox model 606 (Prairie) .....	D7
Winch model 5351 / 5352 (Shelby) .....	D8
Winch model 5353 (Shelby) .....	D8
Winch model 5407 (Shelby) .....	D9
Winch model T1602 (Fulton) .....	D9
Winch model 935 / K1000 / 945 (Fulton) .....	D10
Winch model 907 (Fulton) .....	D10
Winch model K1050 (Fulton) .....	D11
Winch model K1500 (Fulton) .....	D11
Winch model K2500 & K2501 (Fulton) .....	D12
Winch model K1051 (Fulton) .....	D13
Winch model K1550 (Fulton) .....	D13
Winch model K2550 (Fulton) .....	D14
PTO Driveline, non-separable (G & G) .....	D15
PTO Driveline (G & G) .....	D15
PTO Driveline (Weasler) .....	D16
TR-PTO Driveline (G & G) .....	D17
TR-PTO Driveline (Weasler) .....	D17
Constant Velocity PTO Driveline (Weasler) for <b>MK/TR</b> Augers .....	D18
Hydraulic motor (Char Lynn 104-1001 /1002) .....	D19
Decals .....	D20-22
Gearboxes for MK Augers .....	D23
Gearbox for MK130 <sup>plus</sup> Augers .....	D24
Gearbox model 2103 (Prairie) .....	D25
Gearbox model CH585 .....	D26
Gearbox model 2306 .....	D27
PTO Driveline (Weasler) 35 series .....	D28
Sidewinder Jack .....	D29

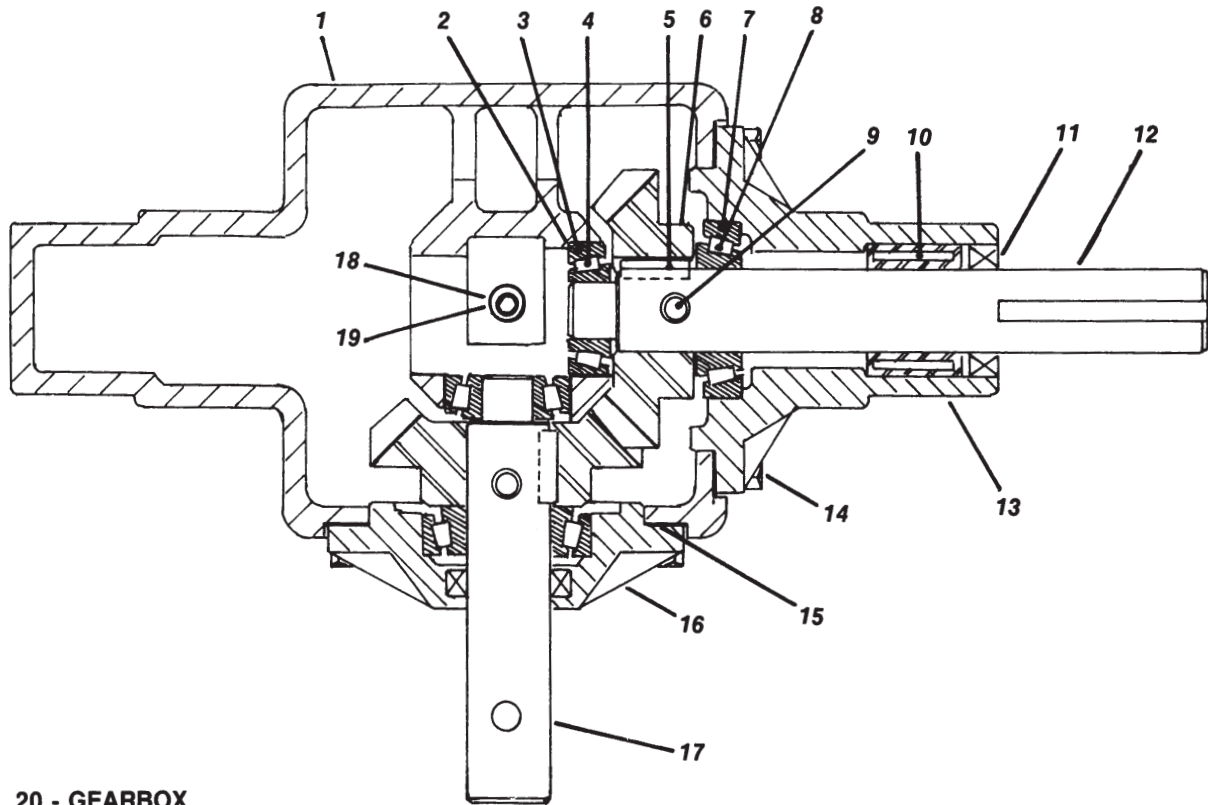
COMPONENT PARTS SAFETY DECALS	<b>D</b>
----------------------------------	----------

# Gear Box Model 211A ("Curtis")



REF. NO.	PART NO.	PARTS DESCRIPTION	NO. REQ'D
1	18395	Housing	1
2	18391	Cap	2
3	18392	Shaft	1
4	18383	Bearing cone, Timken #L 44643	2
5	18382	Bearing cup, Timken #L 44610	2
6	18379	Bearing cone, Timken #LM 11749	2
7	18378	Bearing cup, Timken #LM 11710	2
8	18381	Gear	2
9	18386	Seal, (National #470553, CR #9843)	2
10	18396	Shaft	1
11	18079	Rod pin, 5/16" x 2"	2
12	18380	Sq. key, 1/4" x 3/4"	2
13	18091	Bolt, 5/16" - 18 x 1", grade 2	8
14	18390	Gasket (.005)	X
15	18393	1/4" pipe plug-solid	1
16	18394	1/4" pipe plug-vented	1

## Gear Box Model 211 M4A ("Curtis")



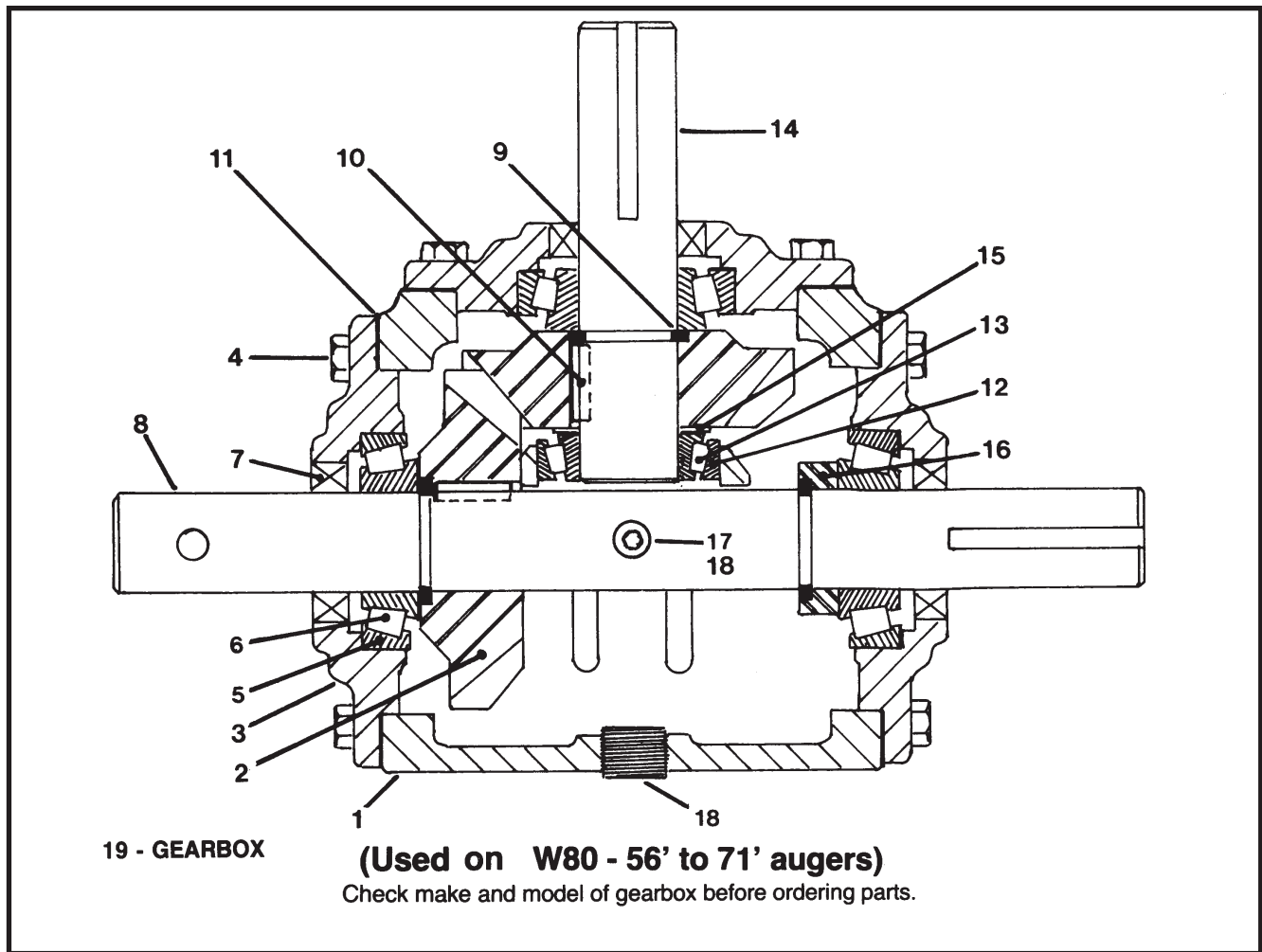
**20 - GEARBOX**

**(Used on Augers with PTO-BD drive)**

Check make and model of gearbox before ordering parts.

REF. NO.	PART NO.	PARTS DESCRIPTION	NO. REQD
1	<b>18376</b>	Housing	1
2	<b>18377</b>	Shim (.005)	X
3	<b>18378</b>	Bearing cup, Timken #LM 11710	2
4	<b>18379</b>	Bearing cone, Timken #LM 11749	2
5	<b>18380</b>	Sq. key, 1/4" x 3/4"	2
6	<b>18381</b>	Gear	2
7	<b>18382</b>	Bearing cup, Timken #LM 44610	2
8	<b>18383</b>	Bearing cone, Timken #LM 44643	2
9	<b>18079</b>	Roll pin	2
10	<b>18385</b>	Bushing	1
11	<b>18386</b>	Seal, (National #470553, CR #9843)	2
12	<b>18387</b>	Shaft	1
13	<b>18388</b>	Cap	1
14	<b>18091</b>	Bolt, 5/16" - 18 x 1", grade 2	8
15	<b>18390</b>	Gasket (.005)	X
16	<b>18391</b>	Cap	1
17	<b>18392</b>	Shaft	1
18	<b>18393</b>	1/4" pipe plug-solid	1
19	<b>18394</b>	1/4" pipe plug-vented	1
20	<b>19473</b>	Gearbox, complete	

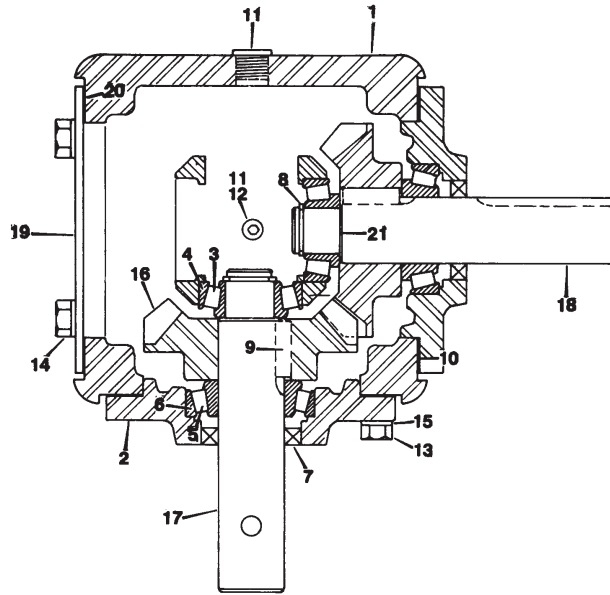
# Gear Box Model 412 ("Curtis")



REF. NO.	PART NO.	PARTS DESCRIPTION	NO. REQD
1	18397	Housing	1
2	18398	Gear	2
3	18399	Cap	3
4	19955	Bolt, 3/8" - 16 x 1", grade 2	24
5	18401	Bearing cup, Timken #14276	3
6	18402	Bearing cone, Timken #14124	3
7	18403	Seal, (National #470163, CR #12458)	3
8	18404	Shaft	1
9	18405	Retaining ring	3
10	18406	Sq. key, 1/4" x 1-1/8"	2
11	18407	Gasket (.005)	X
12	19266	Bearing cup, Timken #LM 67010	1
13	19265	Bearing cone, Timken #LM 67048	1
14	18410	Shaft	1
15	18411	Shim (.005)	X
16	18412	Thrust collar	1
17	18413	1/2" pipe plug-vented	1
18	18414	1/2" pipe plug-solid	2
19	19585	Gearbox, complete	



# Gear Box Model 403 ("Prairie")



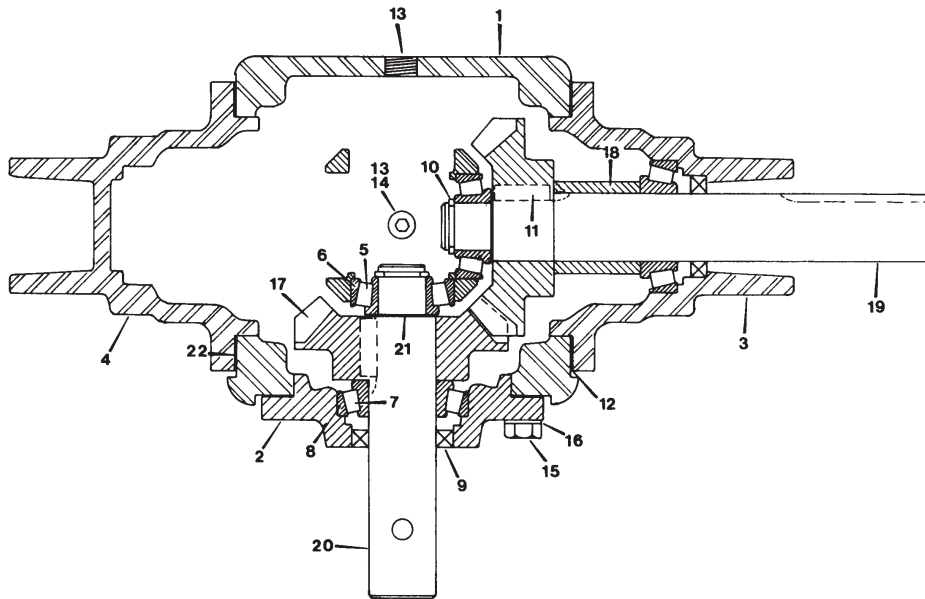
**22 - GEARBOX**

**(Used on W60, 70, 80 PTO-SD Augers to 51')**

Check make and model of gearbox before ordering parts.

REF. NO.	PART NO.	PARTS DESCRIPTION	NO. REQ'D
1	18395	Housing	1
2	18391	Bearing cap	2
3	18379	Bearing cone, Timken #LM 11749	2
4	18378	Bearing cup, Timken #LM 11710	2
5	18383	Bearing cone, Timken #L 44643	2
6	18382	Bearing cup, Timken #L 44610	2
7	18386	Seal, (National #470553, CR #9843)	2
8	18420	Retainer	2
9	18380	Sq. key, 1/4" x 3/4"	2
10	18390	Gasket (.005)	X
11	18393	1/4" pipe plug, solid	2
12	18394	1/4" pipe plug, vented	1
13	18091	Bolt, 5/16" - 18 x 1", grade 2	8
14	19538	Bolt, 5/16" - 18 x 3/4", grade 2	4
15	19603	Lockwasher, 5/16"	12
16	18381	Gear	2
17	18409	Pinion shaft	1
18	18416	Pinion shaft	1
19	18419	Cover plate	1
20	18390	Gasket	1
21	18415	Shim spacer	2
22	19455	Gearbox, complete	

# Gear Box Model 416 ("Prairie")



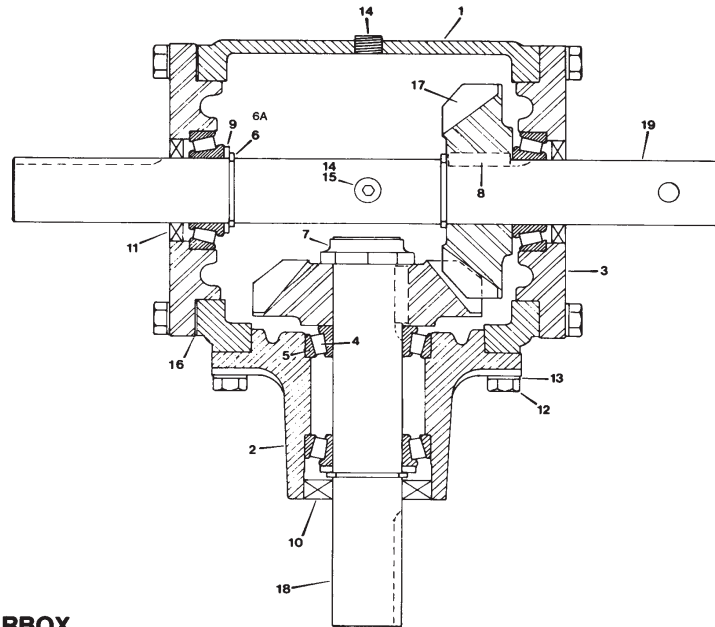
**23 - GEARBOX**

**(Used on PTO-BD Augers)**

Check make and model of gearbox before ordering parts.

REF. NO.	PART NO.	PARTS DESCRIPTION	NO. REQ'D
1	<b>18395</b>	Housing	1
2	<b>18391</b>	Bearing cap	1
3	<b>18417</b>	Bearing cap	1
4	<b>18418</b>	Cover cap	1
5	<b>18379</b>	Bearing cone, Timken #LM 11749	2
6	<b>18378</b>	Bearing cup, Timken #LM 11710	2
7	<b>18383</b>	Bearing cone, Timken #L 44643	2
8	<b>18382</b>	Bearing cup, Timken #1 44610	2
9	<b>18386</b>	Seal, (National \$470553, CR #9843)	2
10	<b>18420</b>	Retainer	2
11	<b>18380</b>	Sq. key, 1/4" x 3/4"	2
12	<b>18390</b>	Gasket (.005)	X
13	<b>18393</b>	1/4" pipe plug, solid	2
14	<b>18394</b>	1/4" pipe plug, vented	1
15	<b>18091</b>	Bolt, 5/16" - 18 x 1", grade 2	12
16	<b>19603</b>	Lockwasher, 5/16"	12
17	<b>18381</b>	Gear	2
18	<b>18384</b>	Spacer	1
19	<b>18408</b>	Pinion shaft, w/keyway	1
20	<b>18409</b>	Pinion shaft, w/hole	1
21	<b>18415</b>	Shim spacer	2
22	<b>18390</b>	Gasket	1
23	<b>19473</b>	Gearbox, complete	

## Gear Box Model 606 ("Prairie")



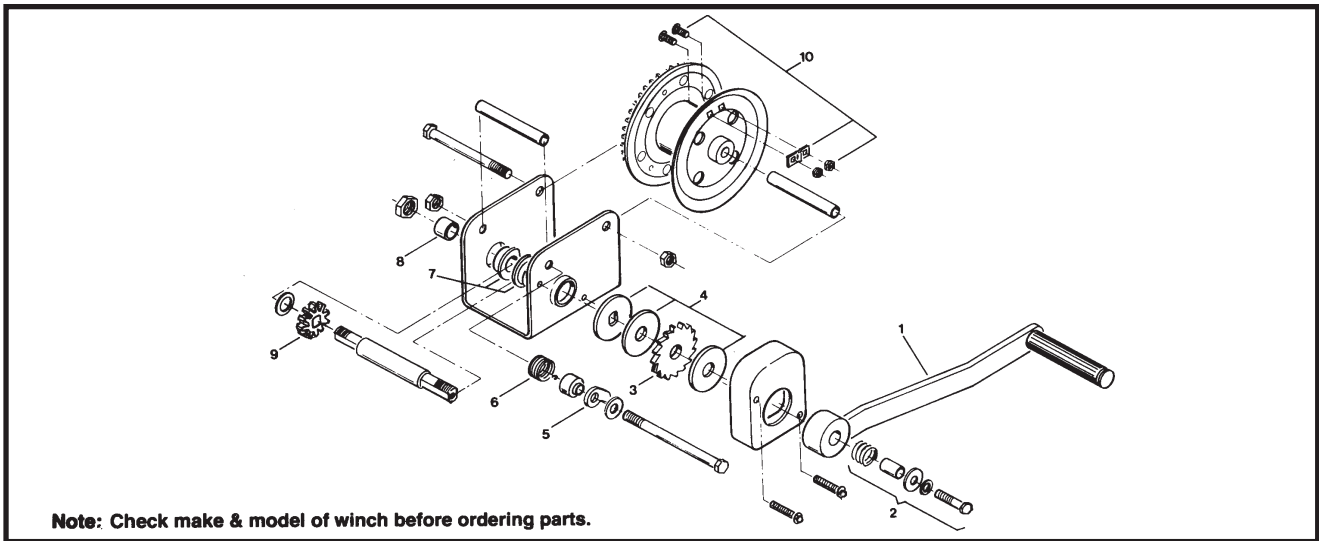
**20 - GEARBOX**

**(Used on W80 - 56'/61'/71' PTO-SD Augers  
and W100 PTO-SD Augers)**

Check make and model of gearbox before ordering parts.

REF. NO.	PART NO.	PARTS DESCRIPTION	NO. REQ'D
1	18421	Housing	1
2	18422	Pinion housing	1
3	18423	Bearing cap	2
4	19265	Bearing cone, Timken #LM 67048	4
5	19266	Bearing cup, Timken #LM 67010	4
6	18405	Retainer, wide (0.159")	3
6A	18962	Retainer, narrow (0.095")	
7	18424	Stake nut	1
8	18406	Sq. key, 1/4" x 1-1/8"	2
9	18426	Spacer	2
10	18427	Seal, CR #12614	1
11	18403	Seal, (National #470163, CR #12458)	2
12	19955	Bolt, 3/8" - 16 x 1", grade 2	12
13	19604	Lockwasher, 3/8	12
14	18393	1/4" pipe plug, solid	2
15	18394	1/4" pipe plug, vented	1
16	18553	Gasket (.005)	X
17	18428	Gear	2
18	18429	Pinion shaft	1
19	18430	Thru shaft	1
20	19585	Gearbox, complete	

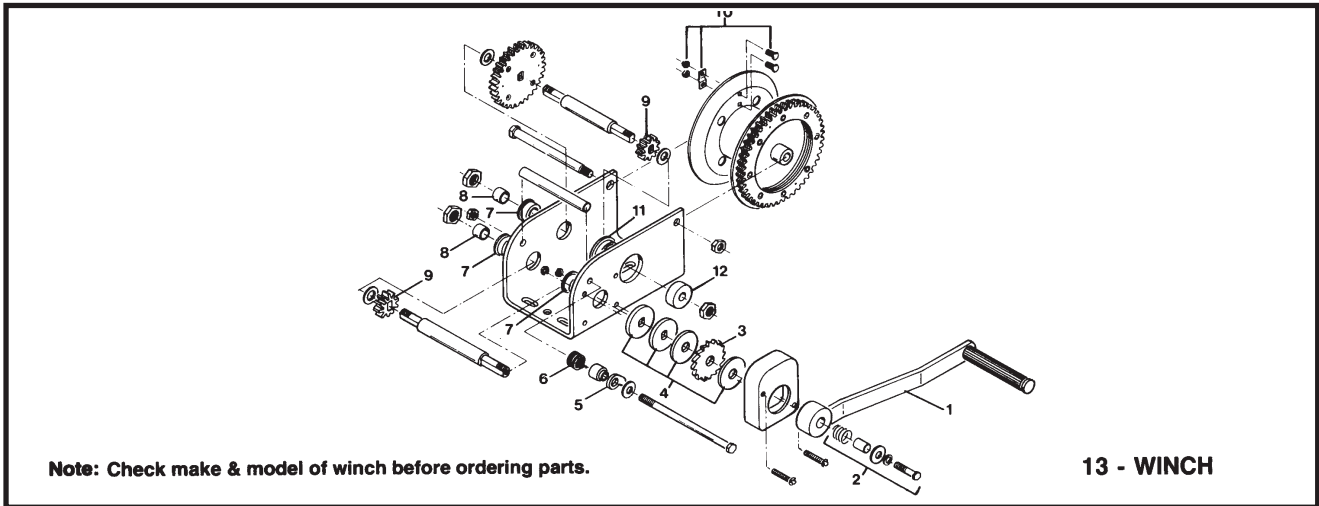
## Winch (Shelby Model 5351/5352)



REF. NO.	PART NO.	PARTS DESCRIPTION
1	18508	Handle
2	18509	Handle retainer kit
3	18510	Ratchet, brake
4	18520	Brake pad kit
5	18512	Pawl
6	18513	Pawl spring
7	18514	Bushing

REF. NO.	PART NO.	PARTS DESCRIPTION
8	18521	Bearing
9	18516	Sprocket, pinion
10	18496	Rope keeper

## Winch (Shelby Model 5353)

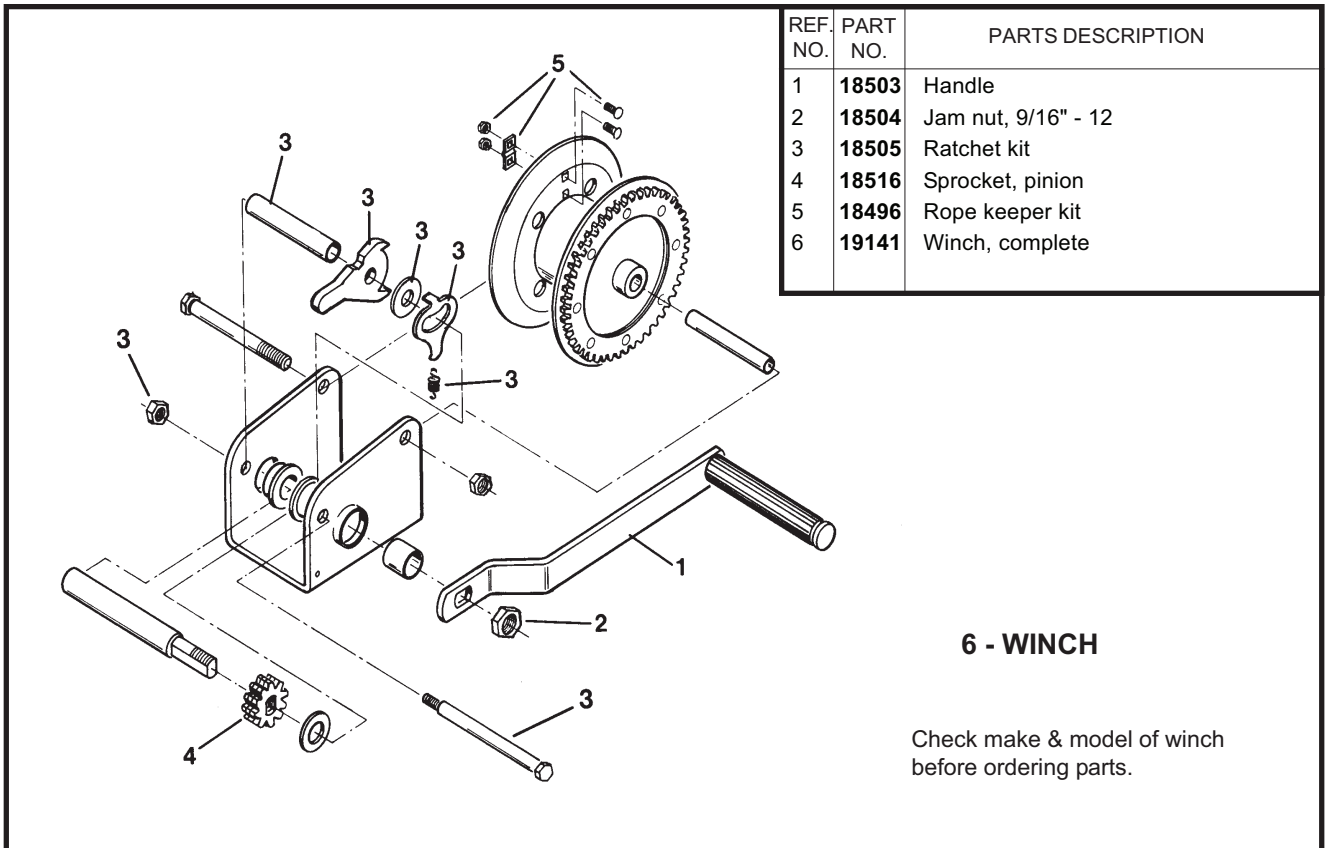


13 - WINCH

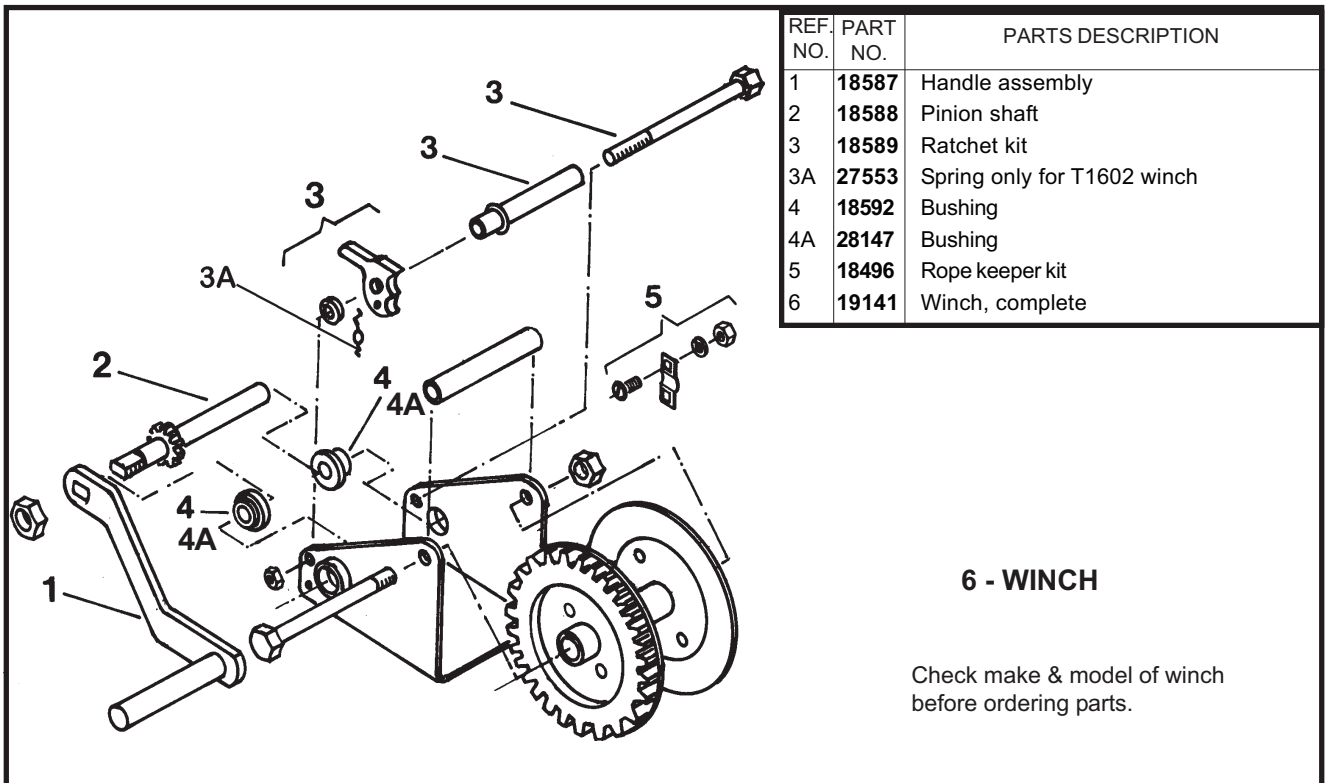
REF. NO.	PART NO.	PARTS DESCRIPTION
1	18508	Handle
2	18509	Handle retainer kit
3	18510	Ratchet, brake
4	18511	Brake pad kit
5	18512	Pawl
6	18513	Pawl spring
7	18514	Bushing

REF. NO.	PART NO.	PARTS DESCRIPTION
8	18521	Bushing
9	18516	Sprocket, pinion
10	18496	Rope keeper
11	18517	Bushing
12	18519	Bushing
13	19569	Winch, complete

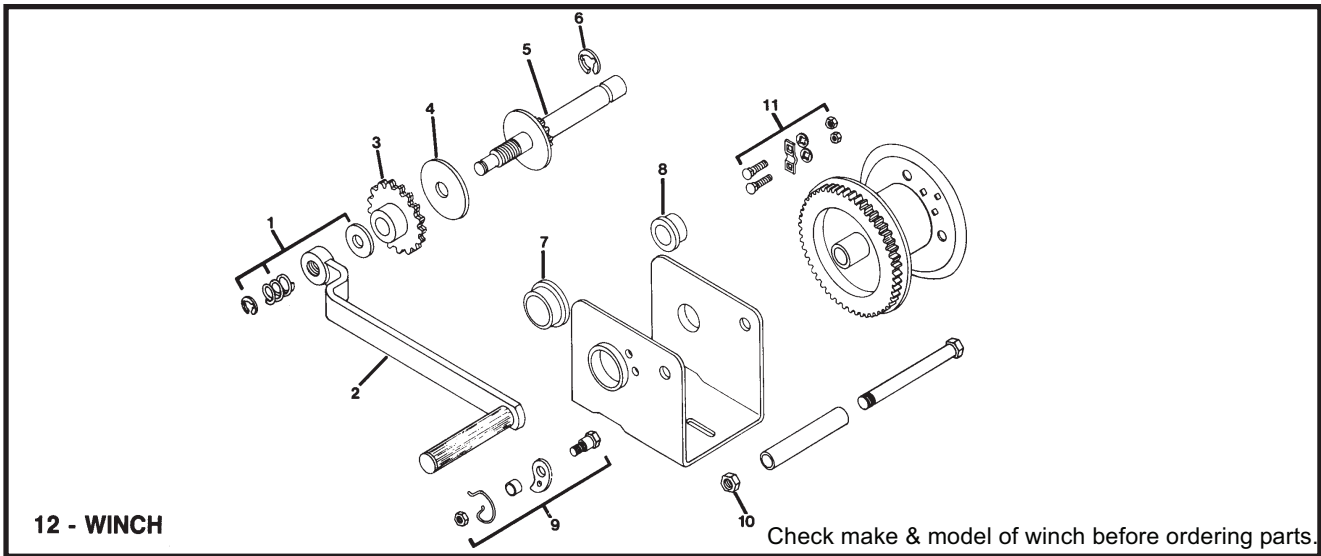
## Winch (Shelby Model 5407)



## Winch (Fulton Model T1602)



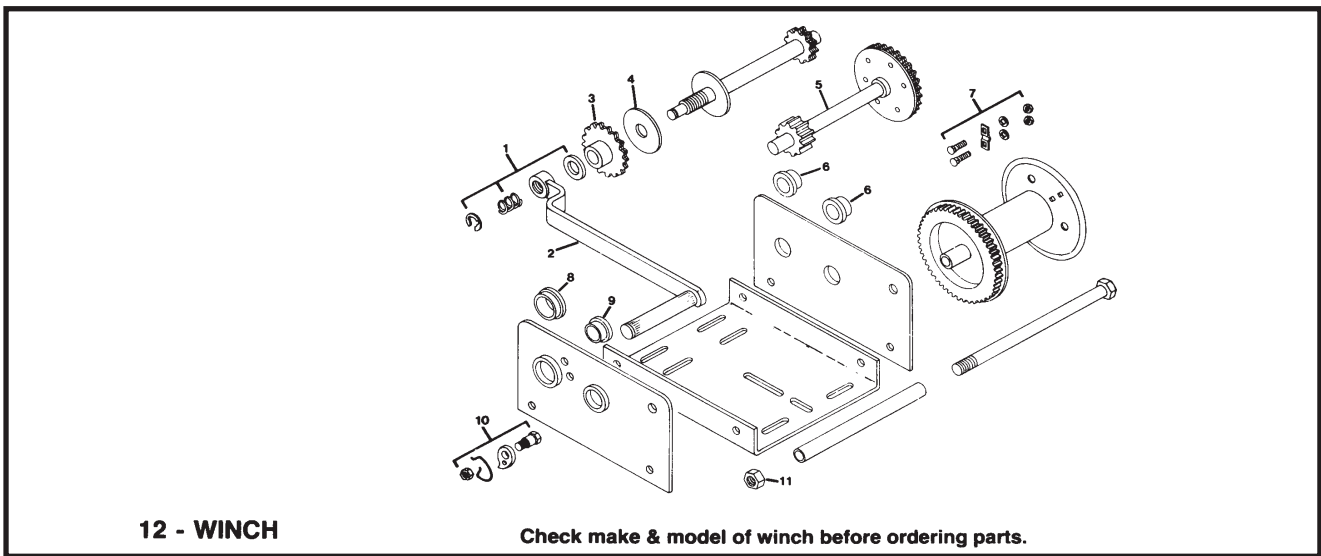
# Winch (Fulton Model 935, K1000 & 945)



REF. NO.	PART NO.		PARTS DESCRIPTION
	935/K100	945	
1	18431	18431	Retainer ring, spring, disc & rope keeper kit
2	18432	18432	Handle
3	18433	18522	Ratchet gear
4	18434	18523	Brake face
5	—	—	Not available
6	18436	18436	Retainer ring
7	18437	18437	Bushing, large

REF. NO.	PART NO.		PARTS DESCRIPTION
	935/K100	945	
8	18438	18438	Bushing, small
9	18439	18439	Ratchet kit
10	19996	—	Locknut, 3/8" - 16
10	—	19599	Locknut, 1/2" - 13
11	18496	18496	Rope keeper kit
12	19151	19152	Winch, complete

# Winch (Fulton Model 970)

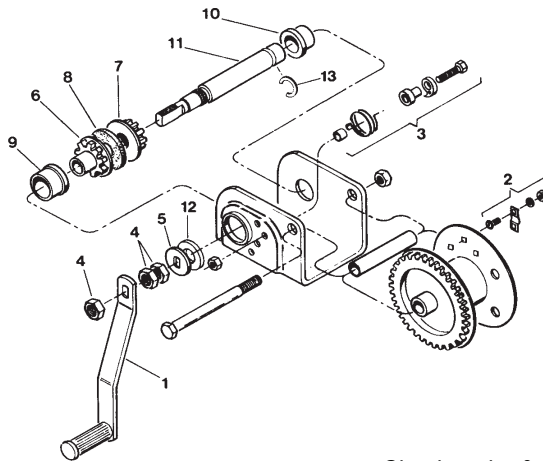


REF. NO.	PART NO.	PARTS DESCRIPTION
1	18431	Retainer ring, spring, disc & rope keeper kit
2	18432	Handle
3	18522	Ratchet gear
4	18523	Brake face
5	—	Not available
6	18526	Bushing, small

REF. NO.	PART NO.	PARTS DESCRIPTION
7	18496	Rope keeper kit
8	18437	Bushing, large
9	—	Bushing, medium N/A
10	18439	Ratchet kit
11	19600	Locknut, 5/8" - 11
12	19569	Winch, complete



## Winch (Fulton Model K1050)



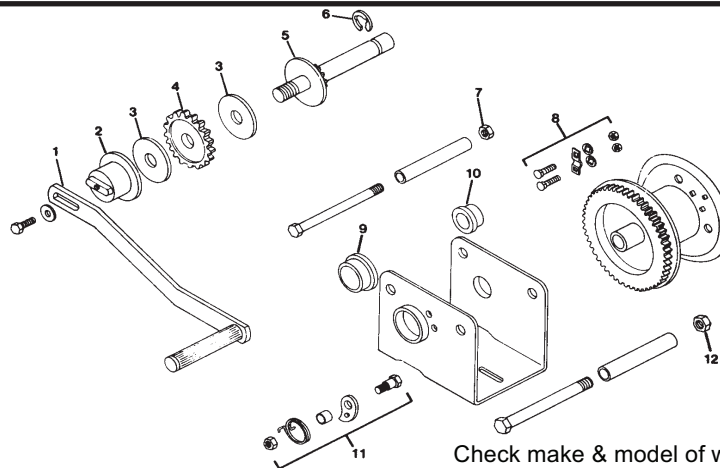
**14 - WINCH**

Check make & model of winch before ordering parts.

REF. NO.	PART NO.	PARTS DESCRIPTION
1	18561	Handle assembly
2	18496	Rope keeper kit
3	18439	Ratchet kit
4	18567	Locknut, 1/2" - 13
5	18580	Brake disc
6	18581	Ratchet assembly
7	18582	Pinion gear assembly
8	18583	Friction disc
9	18437	Steel bushing,

REF. NO.	PART NO.	PARTS DESCRIPTION
10	18438	Steel bushing
11	18584	Pinion shaft
12	18585	Thrust washer
13	18436	Retainer ring
14	19151	Winch, complete

## Winch (Fulton Model K1500)



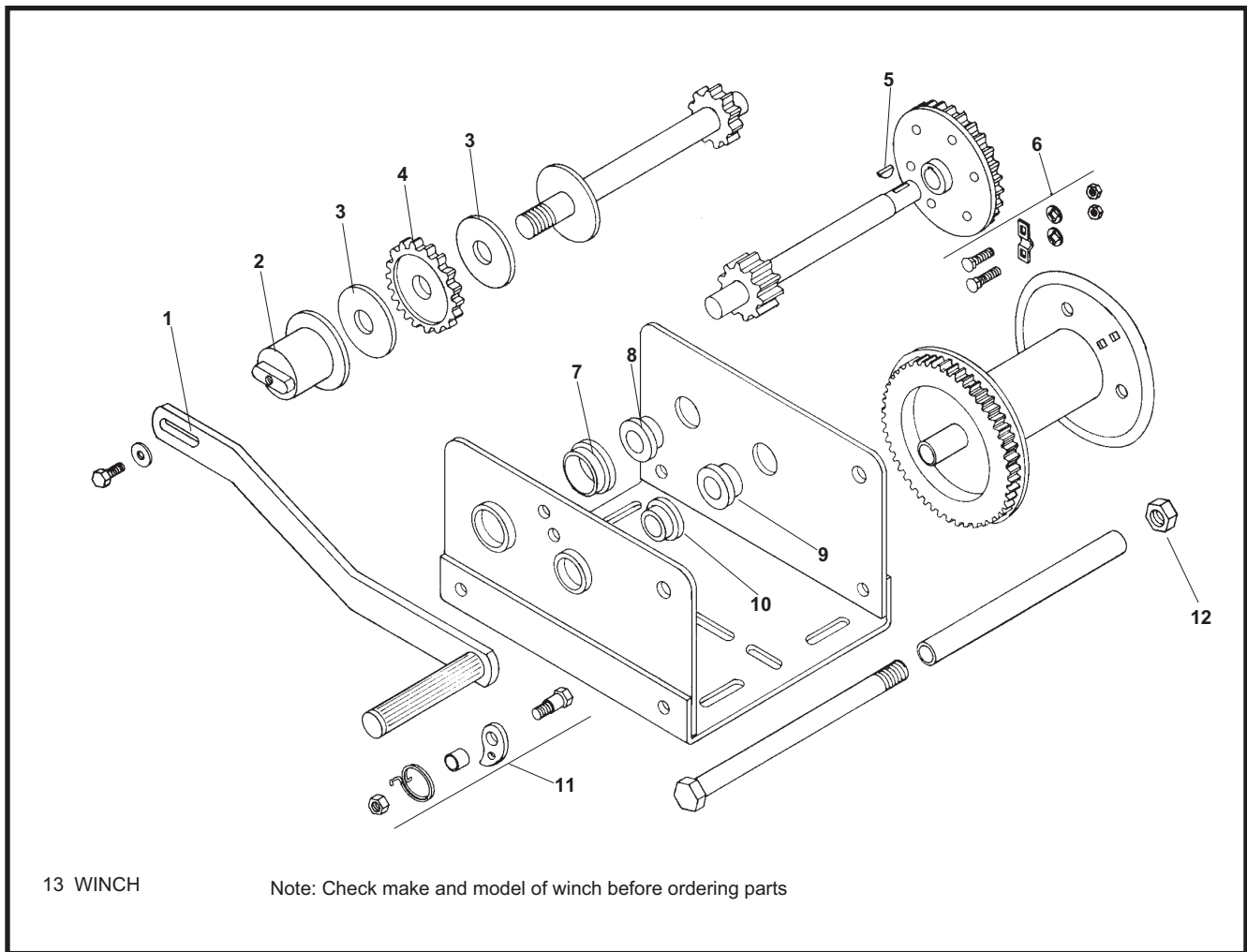
**13 - WINCH**

Check make & model of winch before ordering parts.

REF. NO.	PART NO.	PARTS DESCRIPTION
1	18492	Handle
2	18493	Brake nut
3	18494	Brake face
4	18495	Ratchet gear
5		Not available
6	18436	Retainer ring
7	19996	Locknut, 3/8" - 16

REF. NO.	PART NO.	PARTS DESCRIPTION
8	18496	Rope keeper kit
9	18437	Bushing, large
10	18438	Bushing, small
11	18497	Ratchet kit
12	19599	Locknut, 1/2" - 13
13	19152	Winch, complete

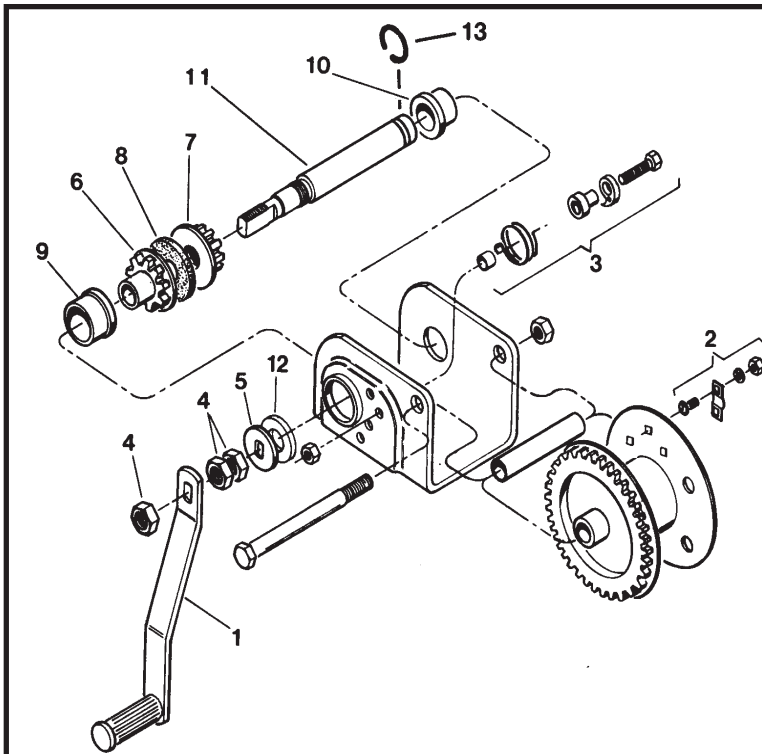
# Winch (Fulton model K2500 & K2501)



REF. NO.	PART NO.		PARTS DESCRIPTION
	K2500	K2501	
1	18492	18492	Handle assembly
2	18493	18493	Brake nut assembly
3	18494	18494	Friction disc
4	18495	18495	Ratchet gear
5	18556	18556	Woodruff key, 1/8" x 5/8"
6	18496	18496	Rope keeper kit
7	18437	18437	Steel bushing
8	18498	---	Steel bushing

REF. NO.	PART NO.		PARTS DESCRIPTION
	K2500	K2501	
8	---	18526	Steel bushing
9	---	18558	Steel bushing
9	18498	---	Steel bushing
10	18557	---	Steel bushing N/A
10	---	18526	Steel bushing
11	18497	18497	Ratchet kit
12	19600	19600	Locknut, 5/8" - 11
13	19569	19569	Winch, complete

## Winch (Fulton Model K1051)

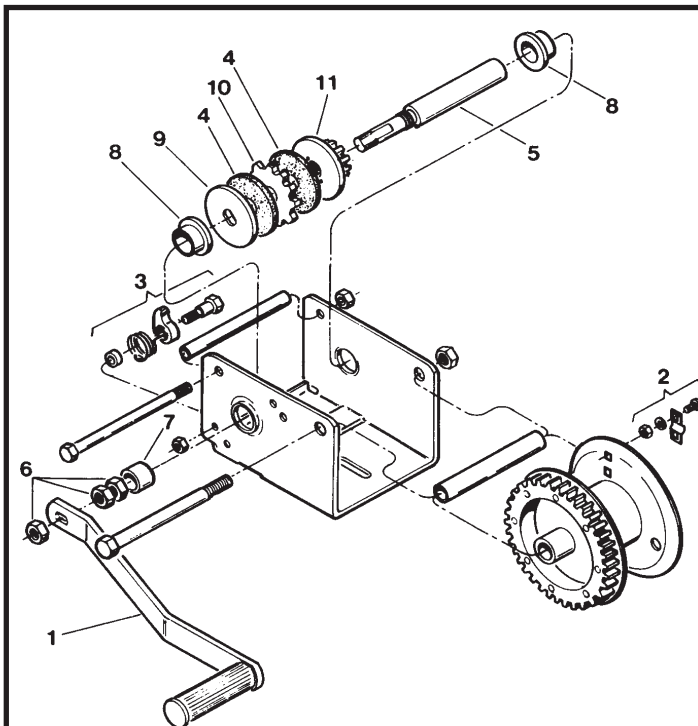


REF. NO.	PART NO.	PARTS DESCRIPTION
1	18561	Handle assembly
2	18496	Rope keeper kit
3	18439	Ratchet kit
4	18567	Locknut, 1/2" - 13
5	18580	Brake disc
6	18581	Ratchet assembly
7	18582	Pinion gear assembly
8	18583	Friction disc
9	18437	Bushing
10	18438	Bushing
11	18584	Pinion shaft
12	18585	Thrust washer
13	18436	Retainer ring
14	19151	Winch, complete

14 - WINCH

Note: Check make & model of winch before ordering parts.

## Winch (Fulton Model K1550)

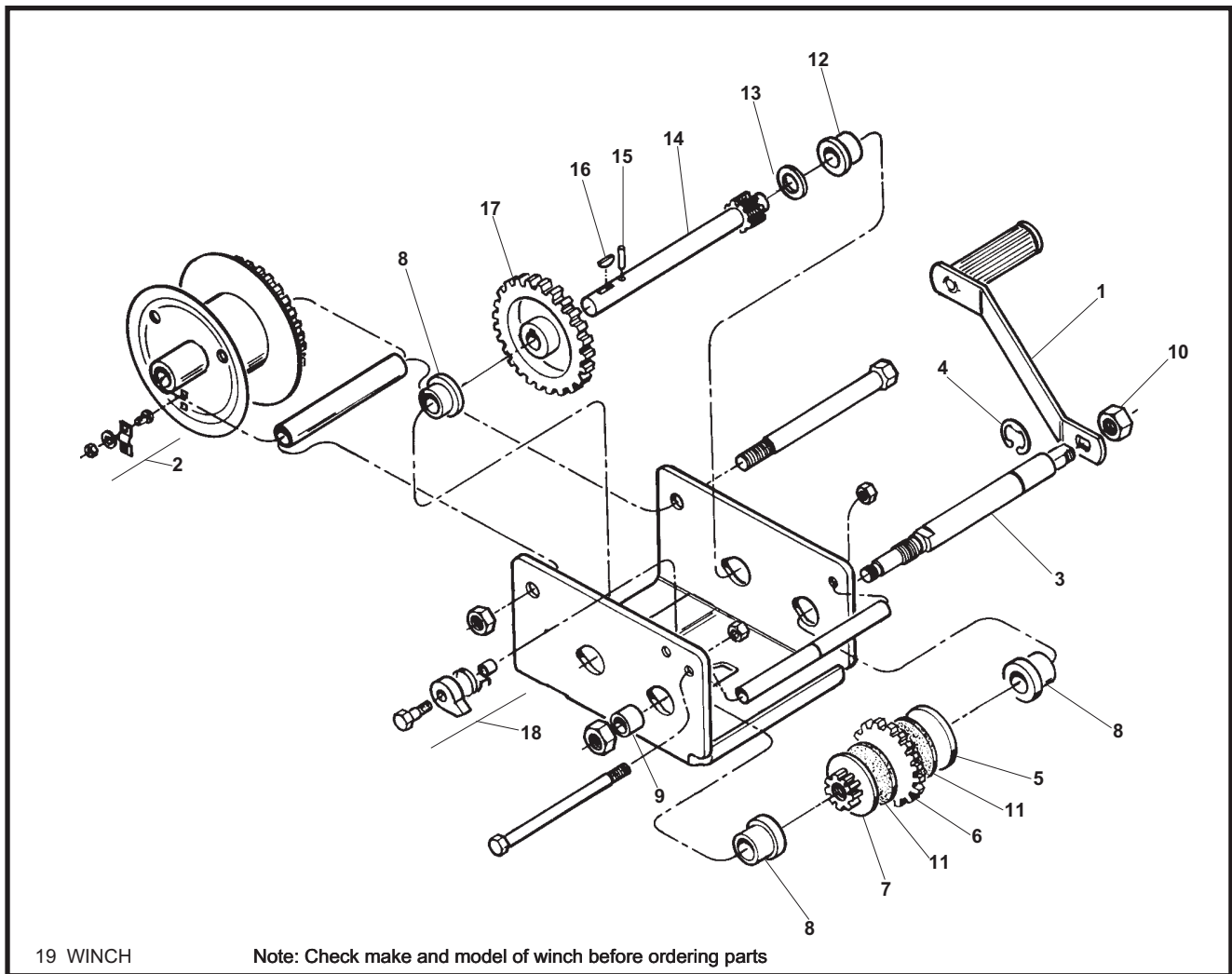


REF. NO.	PART NO.	PARTS DESCRIPTION
1	18561	Handle assembly
2	18496	Rope keeper kit
3	18497	Ratchet kit
4	18573	Friction disc
5	18574	Input shaft
6	18567	Locknut, 1/2" - 13, special
7	18575	Spacer
8	18438	Steel bushing
9	18576	Brake disc
10	18577	Ratchet gear assembly
11	18578	Pinion and disc assembly
12	19152	Winch, complete

12 - WINCH

Note: Check make & model of winch before ordering parts.

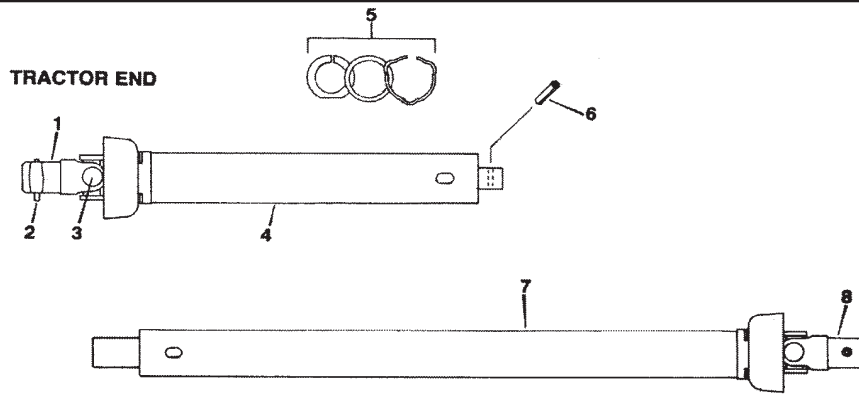
# Winch (Fulton model K2550)



REF. NO.	PART NO.	PARTS DESCRIPTION
1	18561	Handle assembly
2	18496	Rope keeper kit
3	18562	Input shaft
4	18436	Retainer ring
5	18563	Brake disc
6	18564	Ratchet gear
7	18565	Pinion gear
8	18558	Steel bushing
9	18566	Spacer
10	18567	Locknut, 1/2" - 13, special

REF. NO.	PART NO.	PARTS DESCRIPTION
11	18568	Friction disc
12	18526	Steel bushing
13	18569	Washer, special
14	18570	Intermediate shaft assembly
15	18571	Roll pin (Fulton 212-01)
16	18556	Woodruff key, 1/8" x 5/8"
17	18572	Ratchet gear assembly
18	18497	Ratchet kit
19	19569	Winch, complete

## PTO-Shaft, Non Separable ("G & G")



**(12R and 14R series, 48" and 60" long)**

REF. NO.	PART NO.		PARTS DESCRIPTION
	12R	14R	
1	18471	18477	Snap hitch yoke
2	18472	18478	Pin, spring and keeper
3	18473	18459	Repair kit, universal joint
4	19887	19887	Outer plastic shield, 48" model
4	19890	19890	Outer plastic shield, 60" model
5	18474	18474	Nylon bearing, thrust washer, snap ring

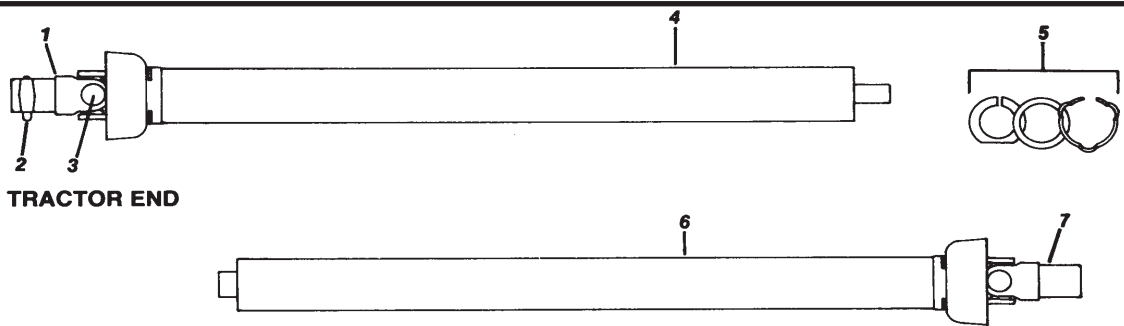
REF. NO.	PART NO.		PARTS DESCRIPTION
	12R	14R	
6	18475	18475	Roller pin, 5/16" x 1-1/4"
7	19888	19888	Inner plastic shield, 48" model
7	19892	19892	Inner plastic shield, 60" model
8	18476		Implement yoke, 1" bore
8		18480	Implement yoke, 1-1/4" bore

Note- Check correct length and model before ordering shields

12R Series used with W60/W70/W80 PTO drive augers to 51'

14R Series used with W80 - 56'/61'/71' and W100 PTO drives

## PTO-Shaft (G&G)



**(12R and 14R series, 48" long)**

REF. NO.	PART NO.		PARTS DESCRIPTION
	12R	14R	
1	18471	18477	Snap hitch yoke
2	18472	18478	Pin, spring and keeper
3	18473	18459	Repair kit, universal joint
4	18481	18481	Outer plastic shield
5	18474	18474	Nylon bearing, thrust washer, snap ring
6	18482	18482	Inner plastic shield
7	18476	—	Implement yoke, 1" bore
7	—	18480	Implement yoke, 1-1/4" bore

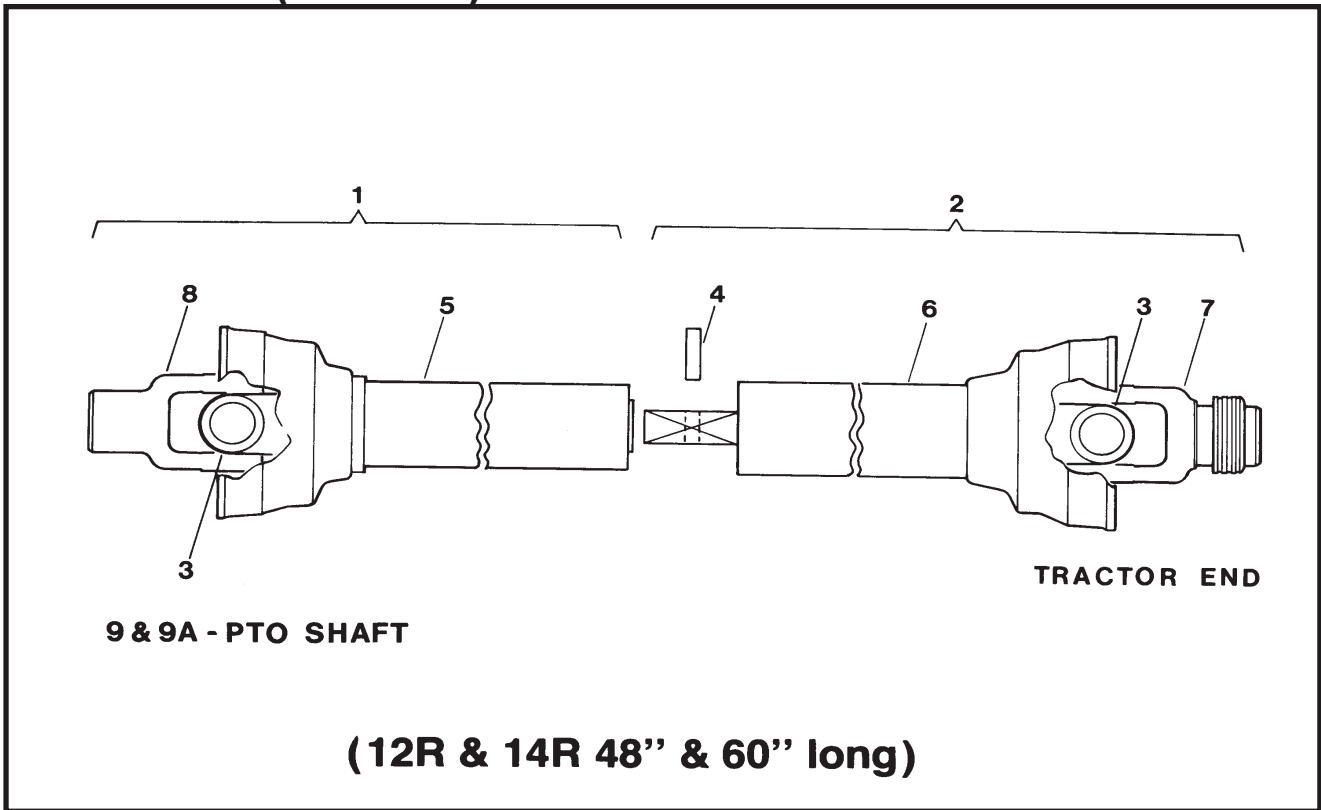
Note:

Check correct length and model before ordering shields

12R series used with all PTO augers to 51'

14R series used with W80 - 56'/61'/71' PTO drives

# PTO-Shaft (Weasler)



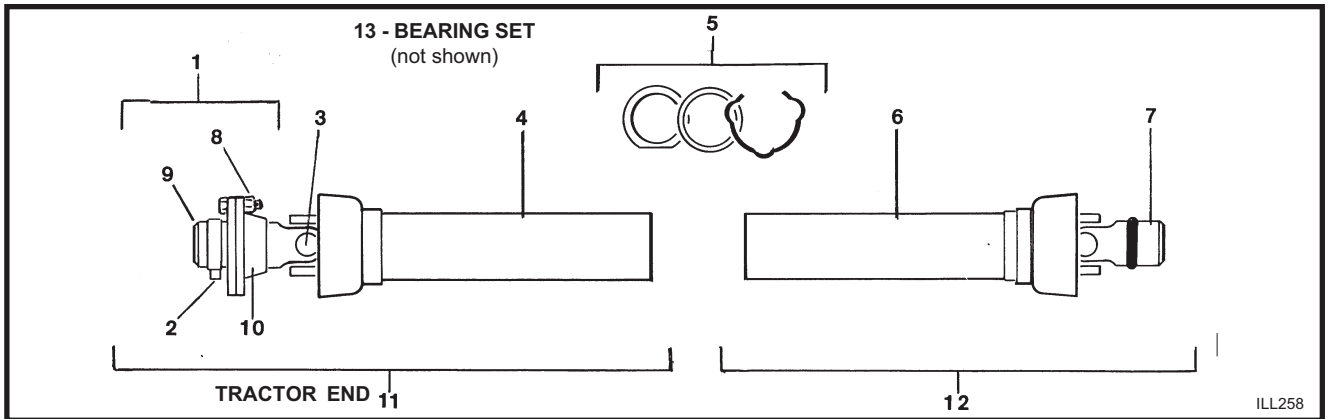
REF. NO.	PART NO.		PARTS DESCRIPTION
	12R	14R	
1	18594		1/2 PTO shaft, implement end, 48"
1	18595	18599	1/2 PTO shaft, implement end, 60"
2	18596		1/2 PTO shaft, tractor end, 48"
2	18597	18601	1/2 PTO shaft, tractor end, 60"
3	18473	18459	Universal joint repair kit
4	18593	18593	Roll pin, 1/4" x 1"
5	18602		Inner plastic shield, 48", c/w retainer ring & nylon bearing
5	18603	18603	Inner plastic shield, 60", c/w retainer ring and nylon bearing
6	18604		Outer plastic shield, 48", c/w retainer ring & nylon bearing
6	18605	18605	Outer plastic shield, 60", c/w retainer ring & nylon bearing
7	18471	18477	Snap hitch yoke
8	18476		Implement yoke, 1" bore
8		18480	Implement yoke, 1-1/4" bore
9	19520		48" PTO - Shaft, complete
9A	19945	19806	60" PTO - Shaft, complete

Check correct length and model before ordering parts.

12R Series used with W60/W70/W80 PTO drive augers to 51'  
 14R Series used with W80 - 56'/61'/71' and W100 PTO drives



## TR - PTO Shaft (G & G)



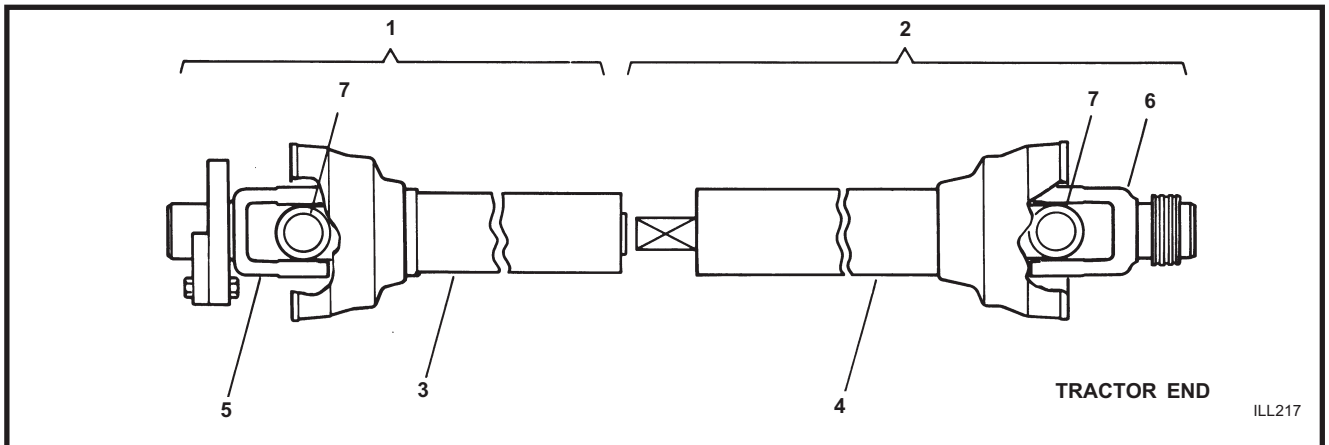
REF. NO.	PART NO.		PARTS DESCRIPTION
	12R	14R	
1	18100	18101	Shear clutch assembly
2	--	--	Not available
3	18473	18459	Repair kit, universal joint
4	18102	18102	Outer plastic shield
5	18474	18474	Nylon bearing, thrust washer, snap ring
6	18103	18103	Inner plastic shield
7	18104	18105	Implement yoke, 1-1/4" bore
8	18106	--	Shearbolt, grade 2
8	--	18107	Shearbolt, grade 5
9	18108	18108	Shear clutch bushing

REF. NO.	PART NO.		PARTS DESCRIPTION
	12R	14R	
10	18109	18110	Shear clutch yoke
11	18112	18113	1/2 PTO shaft, tractor end
12	18114	18115	1/2 PTO shaft, implement end
13	18111	18111	Bearing set, shear clutch

**CHECK CORRECT LENGTH AND MODEL BEFORE ORDERING PARTS.**

12R Series shaft used with TR80 auger  
14R Series shaft used with TR100 auger

## TR - PTO Shaft (Weasler)



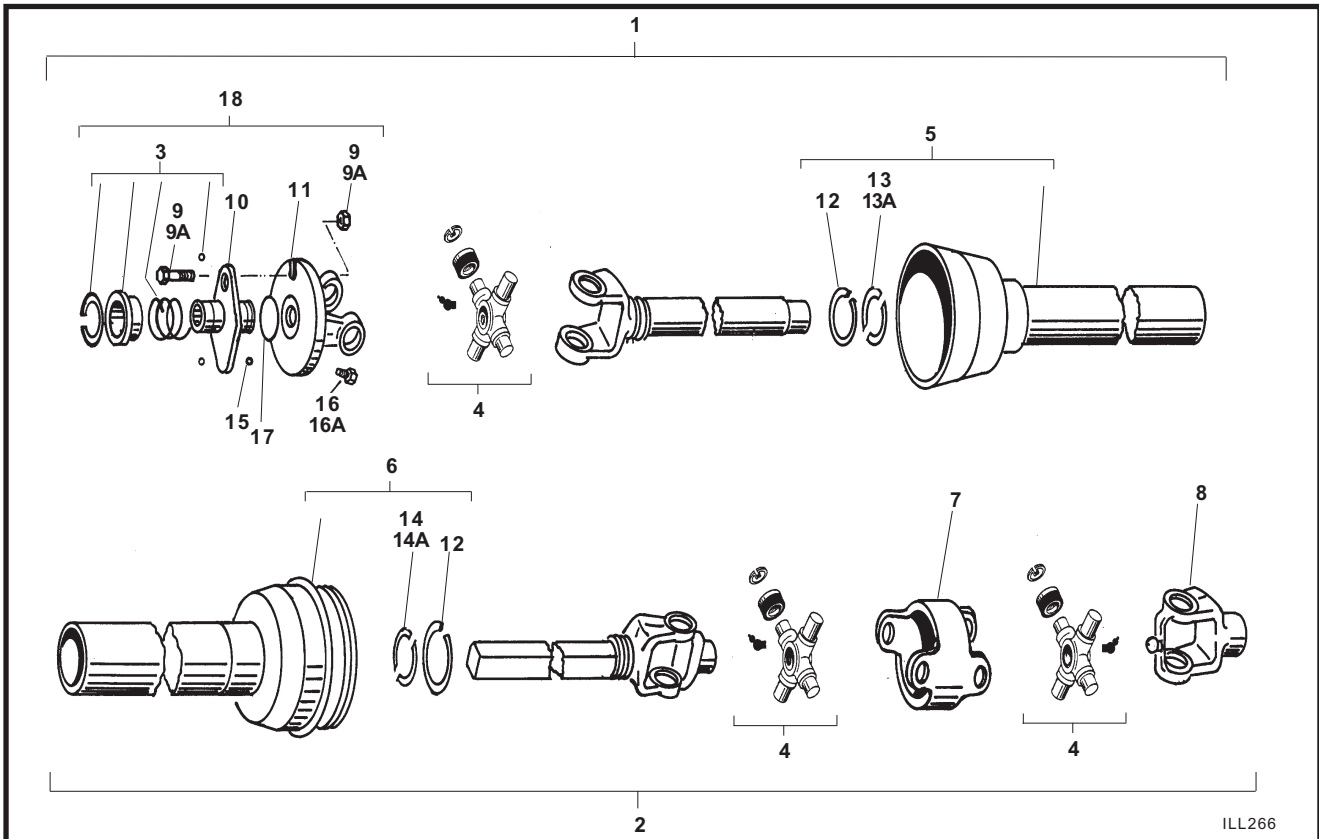
REF. NO.	PART NO.		PARTS DESCRIPTION
	12R	14R	
1	18606	18612	1/2 PTO shaft, implement end
2	18607	18613	1/2 PTO shaft, tractor end
3	18608	18608	Inner plastic shield, c/w retainer ring & nylon bearing
4	18609	18609	Outer plastic shield, c/w retainer ring & nylon bearing
5	18610	--	Implement yoke with shearbolt, 1-1/4" bore
5	--	18611	Implement yoke with shearbolt, 1-1/4" bore
6	18471	18477	Snap hitch yoke
7	18473	18459	Universal joint, repair kit

**CHECK CORRECT LENGTH AND MODEL BEFORE ORDERING PARTS.**



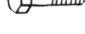
12R Series shaft used with TR80 auger  
14R Series shaft used with TR100 auger

# Constant Velocity PTO - Shaft (Weasler)

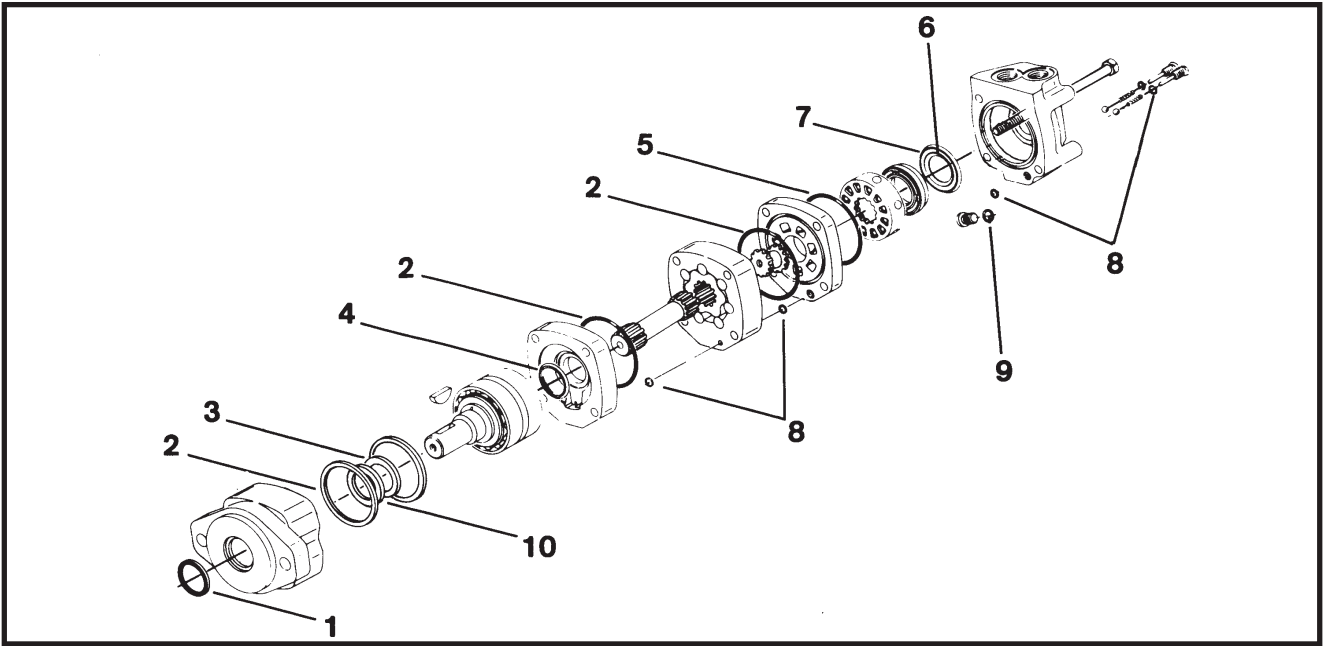
MK80 / MK100 / MK130 - TR80 / TR100



ILL266

REF NO.	PART NO.				PARTS DESCRIPTION
	8"/10"	13"-61 13"-71	13"-81 13"-91 13"-111	10"-81 10"-91	
1	18456	18268	17544	27592	1/2 PTO shaft, tractor end
2	18457	18269	17545	27593	1/2 PTO shaft, implement end
1&2	18484	18455	17542	27481	Complete PTO shaft
3	18458	18270	17546	18270	Spring lock repair kit
4	18459	18271	17547	18271	Universal joint repair kit
5	18460	18272	17548	27596	Plastic shield c/w reference no. 12 & 13, tractor end
6	18461	18273	17549	27595	Plastic shield c/w reference no. 12 & 14, implement end
7	18462	18274	17550	18274	CV centre housing
8	18463	18358	17551	27594	End yoke
9	*see below	--	--	--	Bolt and locknut, 5/16" - 18 x 1", grade 8
9A	--	18454	18454	18454	Bolt and locknut, 3/8" - 16 x 1", grade 8
10	N/A	N/A	N/A	N/A	Shear flange hub
11	N/A	N/A	N/A	N/A	Shear flange yoke
12	18467	18467	--	18467	Retainer ring
13	18468	18469	--	18469	Nylon bearing
13A	--	--	17552	--	Nylon bearing c/w reference no. 12
14	18469	18441	--	18441	Nylon bearing
14A	--	--	17553	--	Nylon bearing c/w reference no. 12
15	18470	18470	18470	18470	Ball bearing kit
16	19995	19995	--	19995	Bolt, 3/8" - 16 x 1/2", grade 5
16A	--	--	19955	--	Bolt, 3/8" - 16 x 1"
17	18485	18485	18485	18485	Blank disc
18	18363	18440	17554	27597	Shear assembly
					*Reference No. 9:
					<b>PART#17125</b> MK80 uses a 5/16" x 1" grade 8 bolt, including nut, through thread shear (as per drawing) 
					<b>PART#17126</b> MK100 uses a 5/16" x 1" grade 8 bolt, including nut, through shank shear (as per drawing) 
					<b>PART#18454</b> MK130 uses 3/8" x 1" grade 8 bolt complete with shear point 

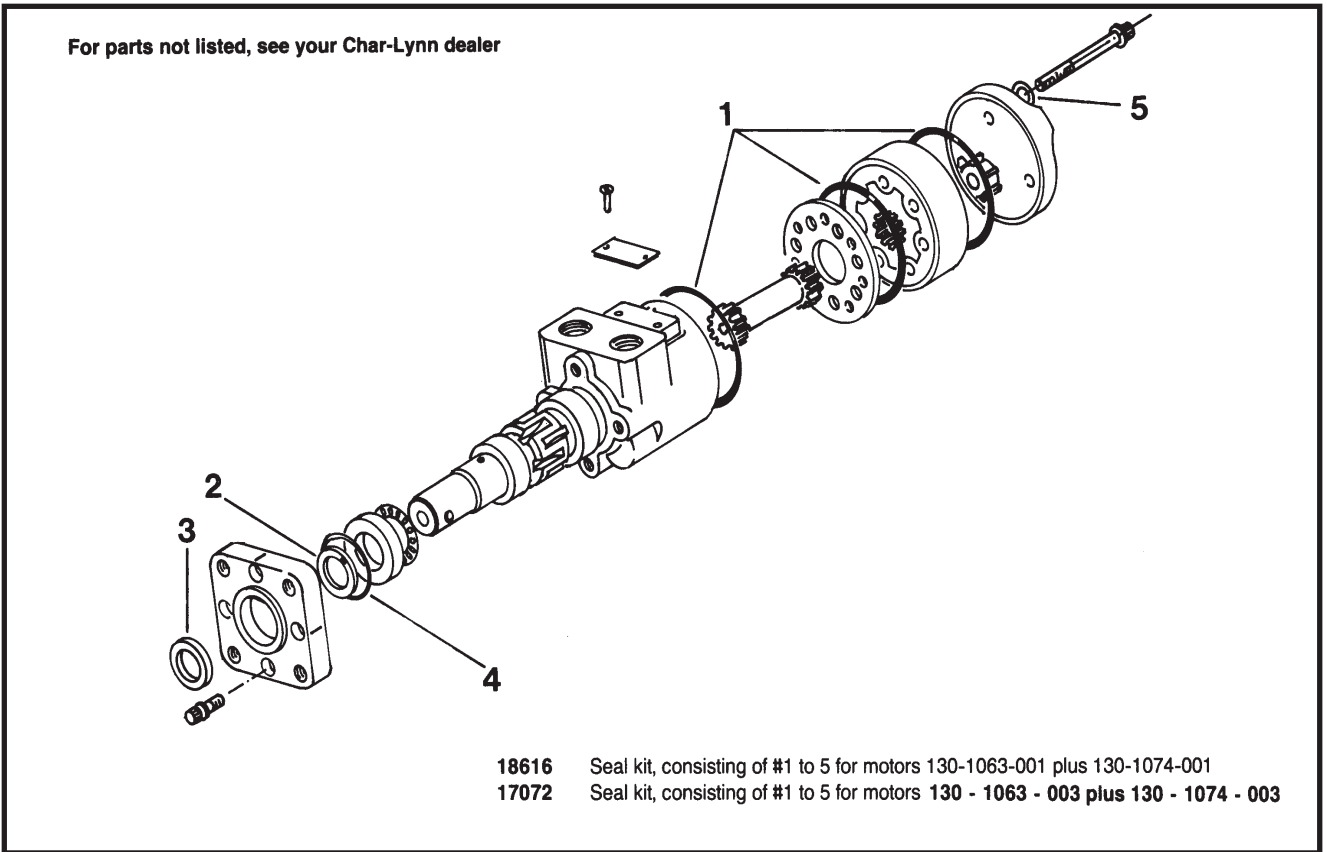
## Hydraulic Motor (Char-Lynn Model 104-1001 & 104-1002)



REF. NO.	PART NO.	PARTS DESCRIPTION
1	18614	Seal kit, consisting of # 1 to 10
2	18615	Seal kit, consisting of # 3 to 10

For parts not listed, see your Char-Lynn dealer

## Hydraulic Motor (Char-Lynn Model 130-1063 & 130-1074)



# Safety decals

**! DANGER**

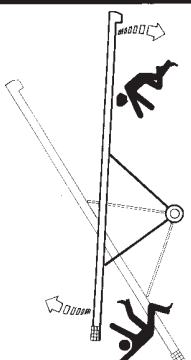


**ROTATING FLIGHTING HAZARD**  
Keep away from auger intake.  
Keep intake shield in place and in good working order. Do not modify.  
**FAILURE TO HEED WILL RESULT IN SERIOUS INJURY OR DEATH.**

MADE IN CANADA

17098

**! DANGER**

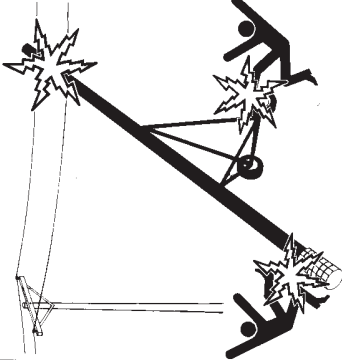


**UPENDING HAZARD**  
Anchor intake end and/or support discharge end to prevent upending.  
Auger intake must always have downward weight. Do not release until attached to tow bar or resting on ground.  
Do not raise auger intake above tow bar height.  
Use a tow vehicle to move auger.  
Empty auger and lower fully before moving.  
**FAILURE TO HEED WILL RESULT IN SERIOUS INJURY OR DEATH.**

MADE IN CANADA

17097

**! DANGER**



**ELECTROCUTION HAZARD**  
This auger is not insulated.  
Keep auger away from overhead power lines and devices.  
Electrocution can occur without direct contact.  
Fully lower auger before moving.  
**FAILURE TO KEEP AWAY WILL RESULT IN SERIOUS INJURY OR DEATH.**

MADE IN CANADA

17102

**! DANGER**

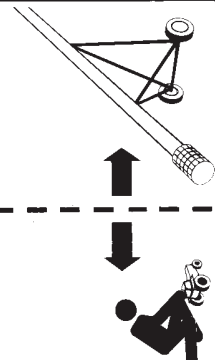


**ROTATING PTO DRIVELINE HAZARD**  
Keep your body, hair, clothing and others away from rotating PTO driveline.  
Do not operate auger unless all driveline, tractor and equipment shields are in place and in good working order.  
Make certain the driveline shields turn freely on driveline.  
Make certain the driveline is securely attached at both ends.  
Do not exceed operating speed of 540 RPM.  
Keep u-joints angles small and equal. Do not exceed maximum recommended length.  
**FAILURE TO HEED WILL RESULT IN SERIOUS INJURY OR DEATH.**

MADE IN CANADA

17103

**! DANGER**



**KEEP CHILDREN AWAY.**  
This auger is not a toy.  
The work area is not a playground.  
Do not allow children to play on or near this auger at any time.  
**FAILURE TO HEED WILL CAUSE SERIOUS INJURY OR DEATH.**

MADE IN CANADA

17095

**! DANGER**



**ROTATING FLIGHTING HAZARD**  
Keep away from auger intake.  
Keep intake shield in place and in good working order. Do not modify.  
**FAILURE TO HEED WILL RESULT IN SERIOUS INJURY OR DEATH.**

MADE IN CANADA

17163

**! DANGER**



**ROTATING FLIGHTING INSIDE**  
Do not operate auger unless swing-hopper is securely attached to boot.  
**FAILURE TO HEED WILL RESULT IN SERIOUS INJURY OR DEATH.**

**IMPORTANT:** Do not operate auger with swing-hopper in transport position. This will damage the u-joint.

MADE IN CANADA

17094

**! DANGER**

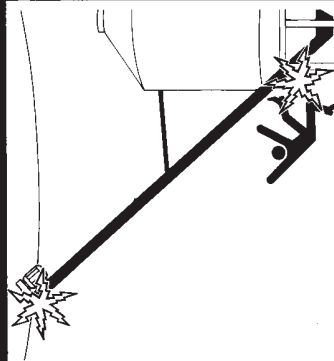


**ROTATING DRIVE HAZARD**  
Do not operate auger with shield removed.  
**FAILURE TO HEED WILL CAUSE SERIOUS INJURY**

MADE IN CANADA

17114

**⚠ DANGER**

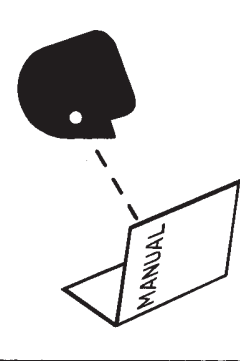


**ELECTROCUTION HAZARD**  
This auger is not insulated.  
Keep auger away from overhead power lines and devices.  
Electrocution can occur without direct contact.  
Fully lower auger before moving.  
**FAILURE TO KEEP AWAY WILL RESULT IN SERIOUS INJURY OR DEATH.**

MADE IN CANADA

17161

**⚠ WARNING**



**DO NOT OPERATE THIS AUGER** unless

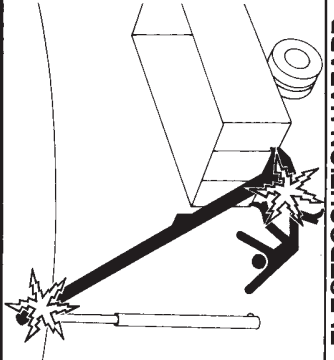
1. You are trained to operate it safely.
2. You have read and understand the operator's manual.
3. You know and follow all safe operating procedures and work rules.
4. Children and untrained personnel are removed from work area.

**FAILURE TO FOLLOW SAFETY INSTRUCTIONS IN MANUAL WILL SUBJECT OPERATOR AND OTHERS TO SERIOUS INJURY OR DEATH.**

MADE IN CANADA

17096

**⚠ DANGER**



**ELECTROCUTION HAZARD**  
This auger is not insulated.  
Keep auger away from overhead power lines and devices.  
Electrocution can occur without direct contact.  
Fully lower auger and truck box before moving.  
**FAILURE TO KEEP AWAY WILL RESULT IN SERIOUS INJURY OR DEATH.**

MADE IN CANADA

17162

**⚠ WARNING**

**ROTATING FLIGHTING INSIDE**  
Do not operate auger with safety discharge door not in place.  
**FAILURE TO HEED WILL RESULT IN SERIOUS INJURY**

NOTE: Should grain overflow through safety discharge door, reduce volume of feed to hopper.

MADE IN CANADA

17111

**⚠ WARNING**

**ROTATING FLIGHTING INSIDE**  
Do not operate auger with assembly plates on swing-hopper removed.  
**FAILURE TO HEED WILL RESULT IN SERIOUS INJURY.**

MADE IN CANADA

17112

**⚠ DANGER**



**ROTATING PTO DRIVELINE HAZARD**  
Keep your body, hair, clothing and others away from rotating PTO driveline.  
Do not operate auger unless all driveline, tractor and equipment shields are in place and in good working order.  
Make certain driveline shields turn freely on driveline.  
Do not exceed operating speed of 540 RPM.  
Keep u-joint angles small and equal. Do not exceed maximum recommended length.  
**FAILURE TO HEED WILL RESULT IN SERIOUS INJURY OR DEATH.**

MADE IN CANADA

17099

**⚠ DANGER**

**ROTATING FLIGHTING INSIDE**  
Do not operate auger with clean-out cover removed.  
To clean out, shut off and lockout power, then remove cover.  
Use stick or other tool to clean out.  
Replace cover before restarting.  
**FAILURE TO HEED WILL RESULT IN SERIOUS INJURY OR DEATH.**

MADE IN CANADA

17104

**⚠ DANGER**



**ROTATING PULLEY**  
Keep body, hair and clothing away from rotating pulleys and belts.  
Keep all shields in place and in good working order.  
**FAILURE TO DO SO WILL RESULT IN SERIOUS INJURY OR DEATH.**

MADE IN CANADA

17101

**⚠ WARNING**

**Lock PTO driveline securely into place before operating auger.**  
**FAILURE TO HEED WILL CAUSE SERIOUS INJURY OR DEATH.**

MADE IN CANADA

18971

**⚠ WARNING**

**Securely block truck box hoist if box is raised to install or service hydraulic or electrical lines to prevent unintentional lowering.**  
**FAILURE TO HEED WILL RESULT IN SERIOUS INJURY**

MADE IN CANADA

17164

**⚠ CAUTION**

After lowering auger, always turn winch handle clockwise at least two clicks to tighten brake lock.  
Maintain control of winch handle at all times.  
Maintain tight cable tension when in towing position.  
Do not put lubrication on brake discs.  
Check cable before each use. Replace if frayed or damaged.  
Make certain cable clamps are securely tightened.

MADE IN CANADA

17109

# Safety decals

**IMPORTANT!**

**WHEELS MUST BE FREE TO MOVE WHEN RAISING OR LOWERING AUGER**

MADE IN CANADA 19960



18118

**IMPORTANT!**

Disconnect PTO driveline from tractor to position, or transport auger OR driveline will bottom out severely damaging the CV u-joint and lower flight shaft. See manual for maintenance.

MADE IN CANADA 18859

**WARNING**

Inspect lift cable frequently. If damaged, replace immediately. Make certain cable clamps are securely tightened.

**FAILURE TO HEED WILL CAUSE SERIOUS INJURY OR DEATH.**

MADE IN CANADA 17108

**IMPORTANT!**

LUBRICATE BELT RELEASE AND MOTOR MOUNT SLIDERS WITH SILICONE OR LIGHT OIL.

18679

**CAUTION**

The transport position on this swivel arc kit is designed for moving auger on yard only. **DO NOT EXCEED 10 M.P.H.** To change wheel position, use sturdy jack under axle. Chock other wheel. Retighten all bolts.

MADE IN CANADA 17106

**CAUTION**

Close valve in lift cylinder hydraulic line after having raised auger into position.

MADE IN CANADA 17107

**CAUTION**

Do not exceed operating speed of 540 RPM.

MADE IN CANADA 17110

**WARNING**

**ROTATING CABLE SHEAVES**

Keep away from rotating cable sheaves and cables. Do not touch or grab cable while auger is being raised or lowered.

**FAILURE TO HEED WILL RESULT IN SERIOUS INJURY.**

MADE IN CANADA 17105

**IMPORTANT!**

LUBRICATE ANGLE DRIVE WITH HIGH TEMP GREASE

17093

**CAUTION**

1. Read and understand operator's manual before assembling or operating this auger.
2. Do not remove or modify any safety shield or device. Keep in good working order.
3. Clear work area of CHILDREN and untrained personnel before operating or moving auger.
4. Keep body, hair and clothing away from auger intake and all moving parts.
5. Stop auger and lockout power to adjust, service or clean.

MADE IN CANADA 17115

**CAUTION**

1. Read and understand operator's manual before assembling or operating this auger.
2. Do not remove or modify any safety shield or device. Keep in good working order.
3. Clear work area of CHILDREN and untrained personnel before operating or moving auger.
4. Keep body, hair and clothing away from auger intake and all moving parts.
5. Stop auger and lockout power to adjust, service or clean.
6. Fully lower auger to move or service. Use safety chain to transport.

MADE IN CANADA 17113

**WARNING**

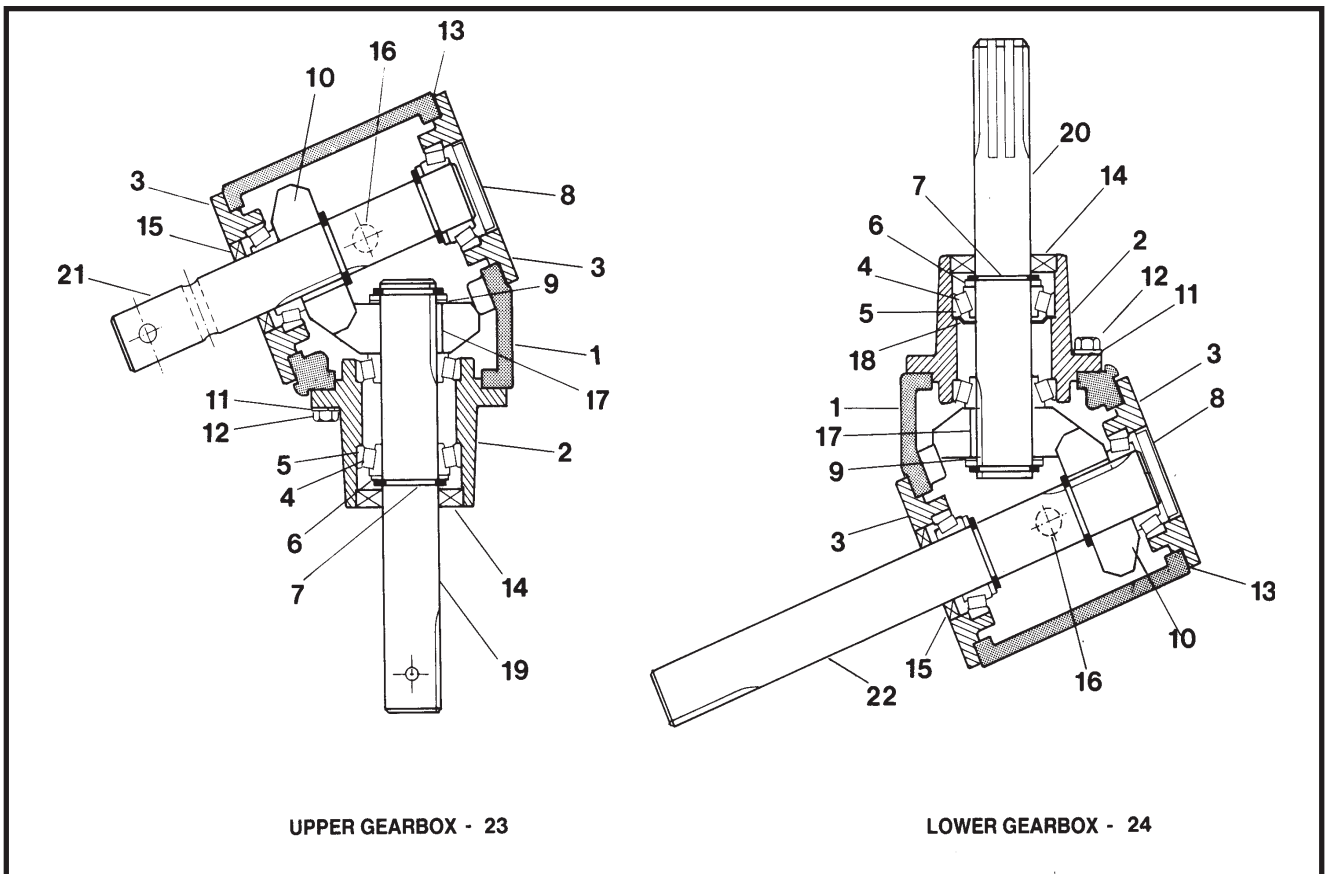
**ESCAPING HYDRAULIC OIL** under pressure will cause serious injury if it penetrates the skin. See a doctor immediately if injured. Relieve pressure before disconnecting hydraulic line. Use cardboard as a backstop when searching for leaks. Wear proper hand and eye protection. Inspect frequently. Keep in good repair.

**FAILURE TO HEED WILL CAUSE SERIOUS INJURY.**

MADE IN CANADA 17100



# MK Gearboxes



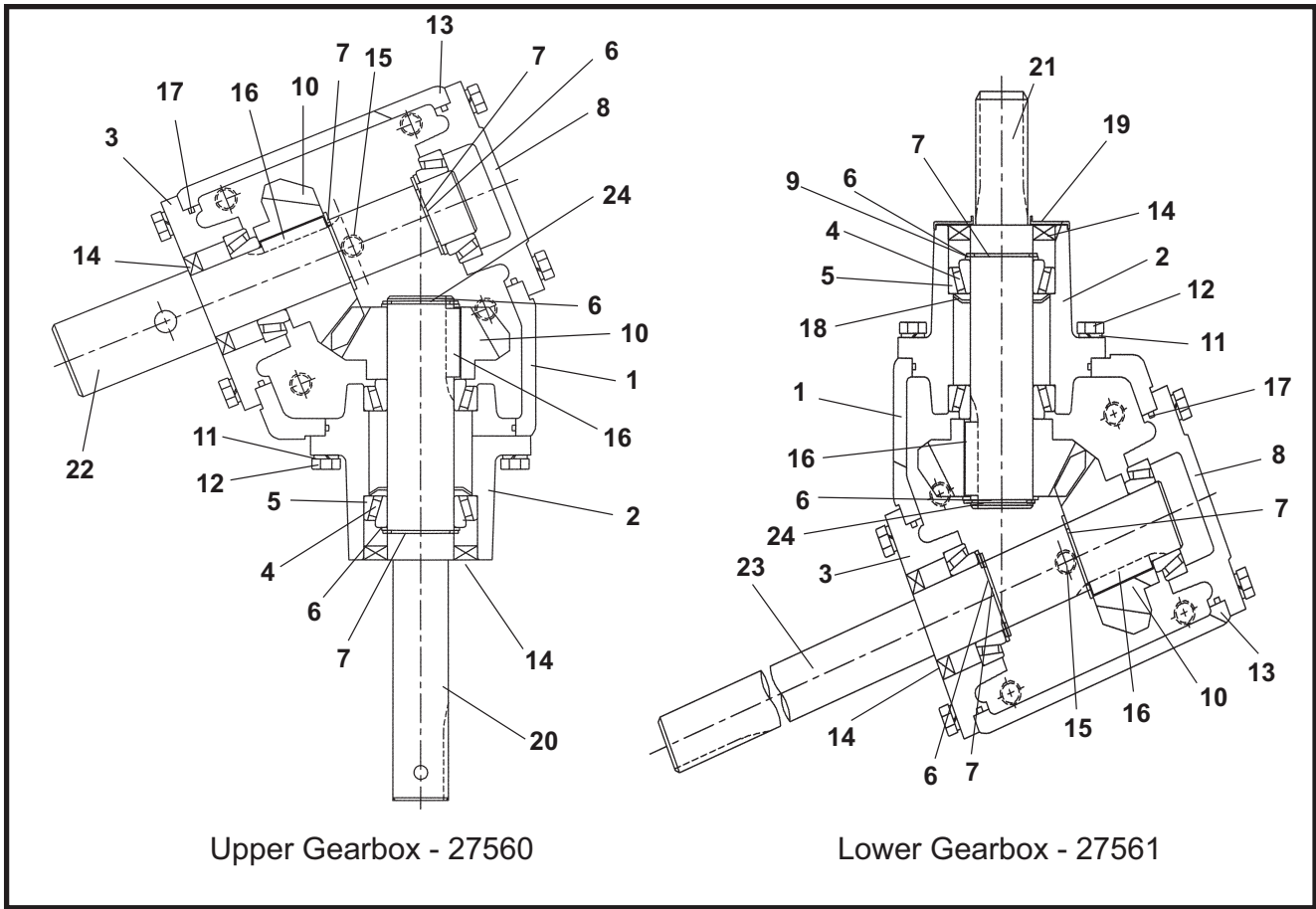
UPPER GEARBOX - 23

LOWER GEARBOX - 24

REF. NO.	PART NO.			PARTS DESCRIPTION
	MK80	MK100	MK130	
1	18959	18959	18959	Housing
2	18960	18960	18960	Quill
3	18961	18961	18961	End cap
4	19265	19265	19265	Bearing cone Timken # LM 67048
5	19266	19266	19266	Bearing cup Timken # LM 67010
6	18426	18426	18426	Spacer
7	18962	18962	18962	Snap ring
8	18963	18963	18963	Expansion plug
9	18411	18411	18411	.007Shim(1.25" I.D.)
10	18964	18964	18964	Gear
11	19603	19603	19603	Lockwasher, 5/16"
12	19538	19538	19538	Cap screw, 5/16" - 18 x 3/4"
13	18390	18390	18390	.005 Shim
14	18427	18427	18427	Seal, National # 471808, CR# 12614
15	18403	18403	18403	Seal, National # 470163, CR# 12458
16	18393	18393	18393	1/4 NPT Pipe plug
17	18380	18380	18380	Square Key
18	18965	18965	18965	Grease washer, lower gearbox only
19	18966	18967	18968	Pinion shaft, upper gearbox only
20	18969	18970	18970	Pinion shaft, lower gearbox only
21	18972	18972	18973	Cross shaft, upper gearbox only
22	18974	18975	18976	Cross shaft, lower gearbox only
23	18848	18849	18789	Upper gearbox, complete
24	18850	18851	18790	Lower Gear Box, complete

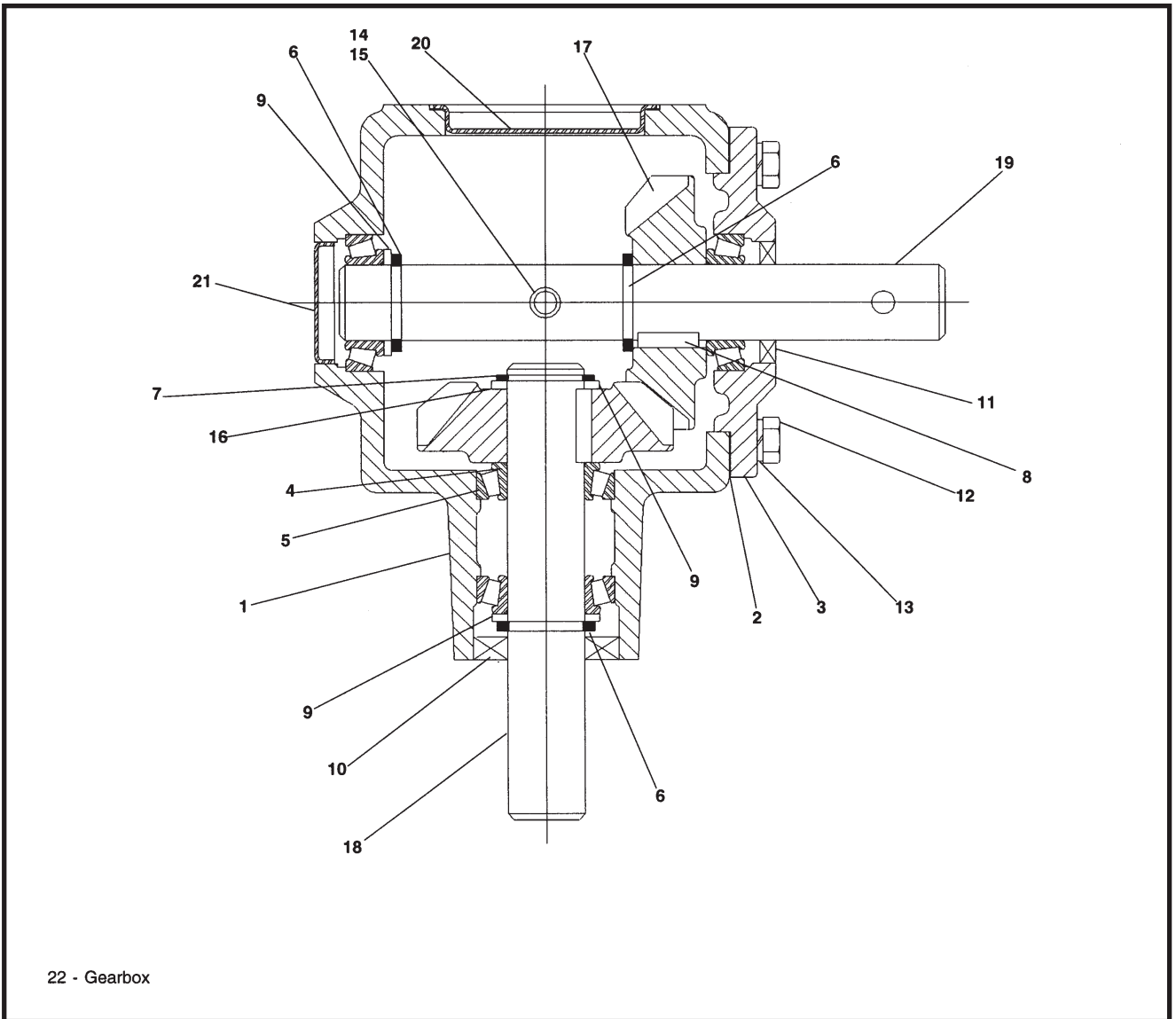


# MK 130 PLUS Gearboxes



REF. NO.	PART NO.	PARTS DESCRIPTION	NO. REQD
1	<b>27690</b>	Housing	
2	<b>27691</b>	Quill	
3	<b>27692</b>	End Cap	
4	<b>27693</b>	Bearing Cone, LM29748	
5	<b>17008</b>	Bearing Cup, LM29710	
6	<b>27694</b>	Spacer	
7	<b>27789</b>	Retainer	
8	<b>27695</b>	End Cap	
9	<b>27696</b>	Shim	
10	<b>27697</b>	Gear	
11	<b>19603</b>	Lockwasher, 5/16"	
12	<b>19538</b>	Capscrew, 5/16" UNC x 3/4"	
13	<b>27698</b>	Shim	
14	<b>27699</b>	Seal, 38.1 x 65.1 x 8	
15	<b>18393</b>	Pipe Plug, 1/4" NPT (1/4" HEX)	
16	<b>27700</b>	Square key, 5/16" x 1-1/2" LG.	
17	<b>27701</b>	O-Ring, 105 x 3.1mm	
18	<b>27707</b>	Grease Washer, lower gearbox only	
19	<b>27702</b>	Deflector Shield, lower gearbox only	
20	<b>27703</b>	Pinion Shaft, upper gearbox only	
21	<b>27704</b>	Pinion Shaft, lower gearbox only	
22	<b>27705</b>	Cross Shaft, upper gearbox only	
23	<b>27706</b>	Cross Shaft, lower gearbox only	
24	<b>27708</b>	Snap Ring, 1-1/2"	

# Gearbox Model 2103 (Prairie)

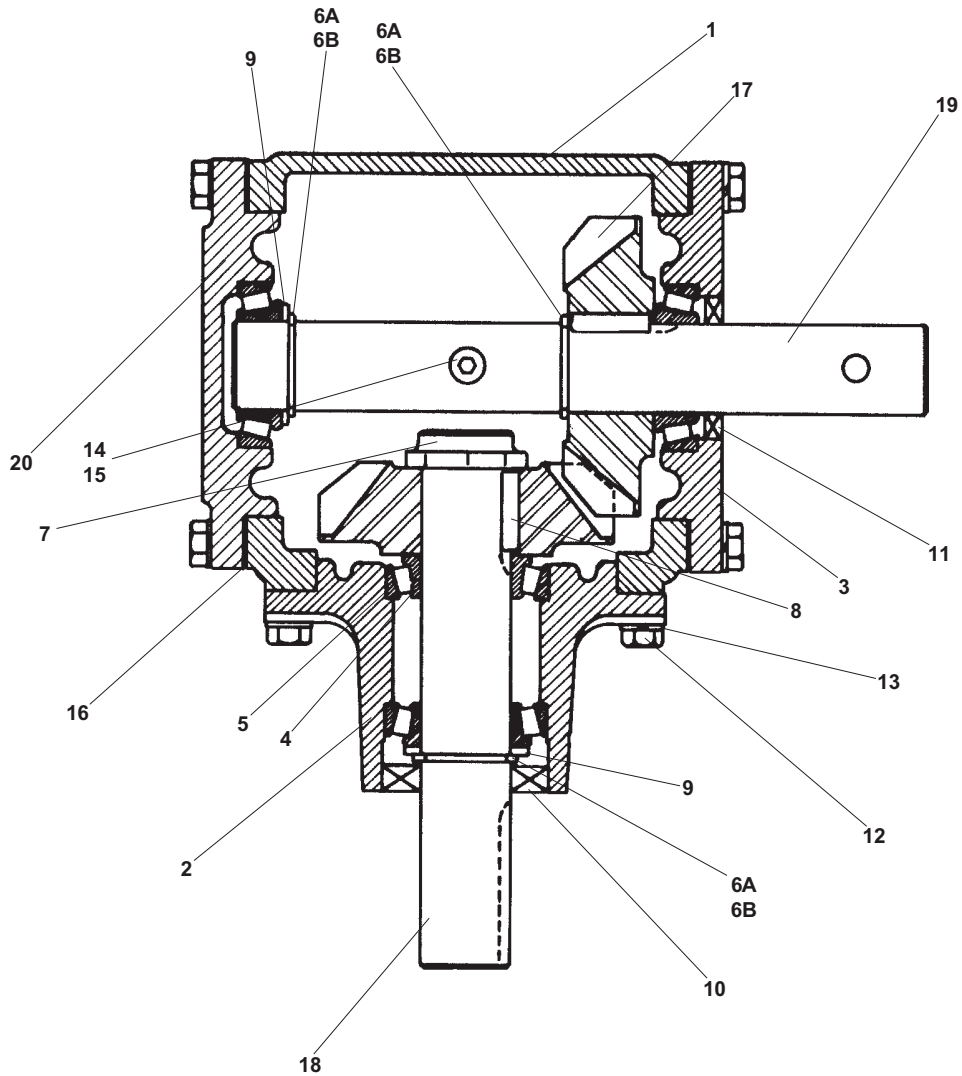


22 - Gearbox

REF. NO.	PART NO.	PARTS DESCRIPTION	NO. REQ'D
1	17173	Housing	1
2	18553	Gasket / shim (0.005")	A/R
3	18423	Bearing cap	1
4	19265	Bearing cone, Timken # LM67048	4
5	19266	Bearing cup, Timken # LM67010	4
6	18405	Retainer, wide (0.159")	3
7	18962	Retainer, narrow (0.095")	1
8	18425	Sq. key, 1/4" x 1-1/8"	2
9	18426	Spacer	2
10	18427	Seal, CR# 12614	1
11	18403	Seal, CR # 12458 or national # 470163	1

REF. NO.	PART NO.	PARTS DESCRIPTION	NO. REQ'D
12	19955	Bolt, 3/8" - 16 x 1" lg.	4
13	19604	Lock washer, 3/8"	4
14	18393	1/4" Pipe plug, solid	1
15	18394	1/4" Pipe plug, vented	1
16	18411	Shim	A/R
17	18428	Gear	2
18	17175	Pinion shaft	1
19	17176	Cross shaft	1
20	17177	Cover, stamping	1
21	18963	Exp. plug	1
22	19585	Gear box complete	1

# Gear Box model CH585

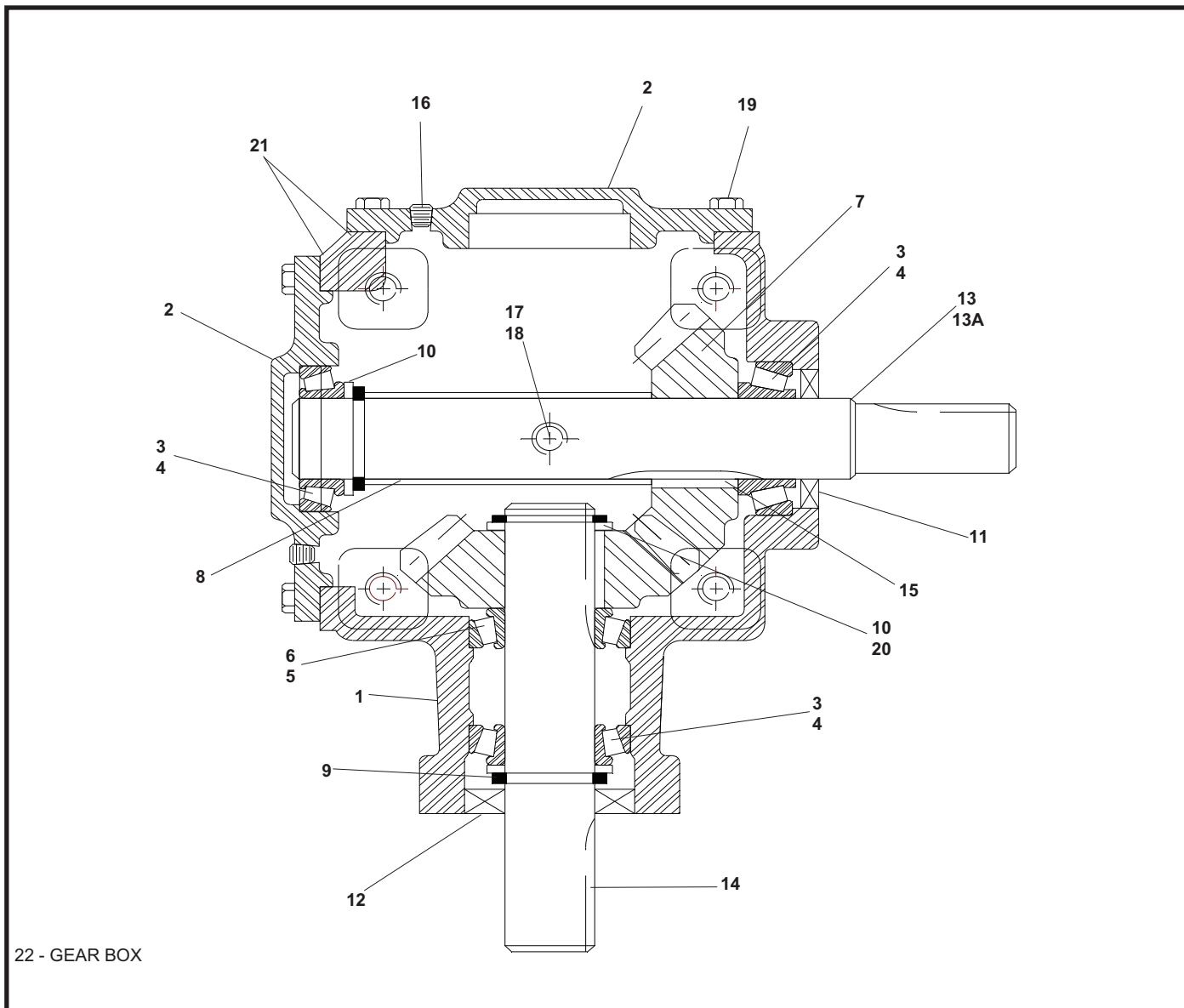


21 - GEAR BOX

REF. NO.	PART NO.	PARTS DESCRIPTION	NO. REQ'D
1	18421	Housing	1
2	18422	Pinion housing	1
3	18423	Bearing cap	1
4	19265	Bearing cone, Timken # LM67048	4
5	19266	Bearing cup, Timken # LM67010	4
6A	18962	Retainer, narrow (0.095")	3
6B	18405	Retainer, wide (0.159")	3
7	18424	Stake nut	1
8	18425	Sq. key 1/4" x 1-1/8"	2
9	18426	Spacer	2
10	18427	Seal, CR # 12614	1
11	18403	Seal, CR # 12458 or national # 470163	1
12	19955	Bolt, 3/8" - 16 x 1", grade 2	12

REF. NO.	PART NO.	PARTS DESCRIPTION	NO. REQ'D
13	19604	Lockwasher, 3/8"	12
14	18393	1/4" Pipe plug, solid	1
15	18394	1/4" Pipe plug, vented	1
16	18553	Gasket / shim (0.005")	A/R
17	18428	Gear	2
18	18429	Pinion shaft	1
19	17176	Cross shaft	1
20	17178	Bearing cap (may be serviced with 18423 & 18963)	1
21	19585	Gearbox, complete	

# Gear Box Model 2306 (Prairie)

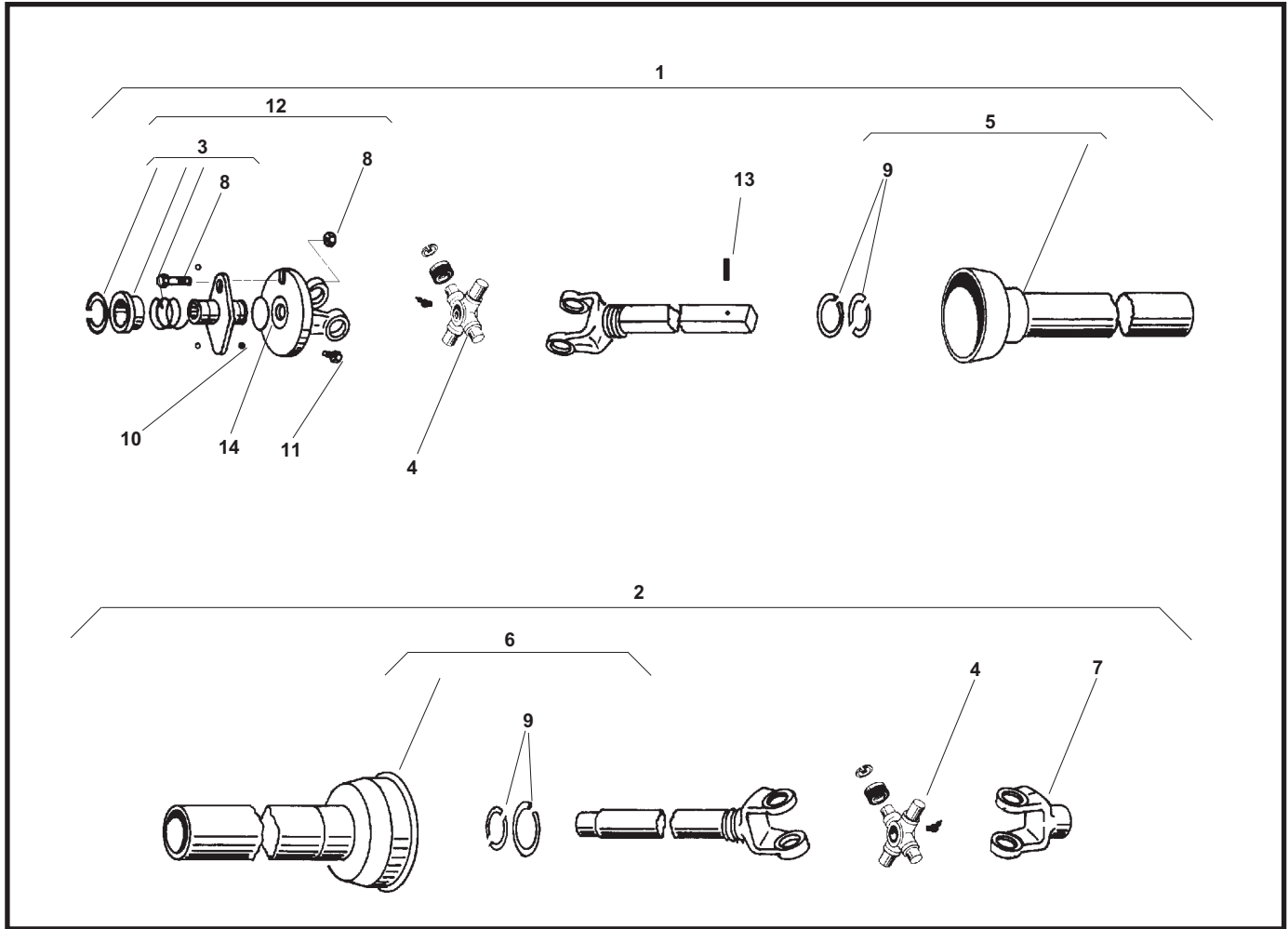


22 - GEAR BOX

REF. NO.	PART NO.	PARTS DESCRIPTION	NO. REQ'D
1	17321	Housing	1
2	17322	Cover	2
3	17323	Bearing cone, Timken #25580	3
4	17324	Bearing cup, Timken #25520	3
5	17325	Bearing cone, Timken #3782	1
6	17326	Bearing cup, Timken #3730	1
7	17327	Gear	2
8	17328	Spacer	1
9	17329	Snap ring	3
10	17330	Washer	3
11	17331	Oil seal, CR #17678	1

REF. NO.	PART NO.	PARTS DESCRIPTION	NO. REQ'D
12	17332	Oil seal	1
13	17333	Cross shaft (machined to 1-1/2")	1
13A	17639	Cross shaft (full length 1-3/4")	1
14	17334	Pinion shaft	1
15	17335	Key	2
16	18393	1/4" Pipe plug, solid	2
17	18414	1/2" Pipe plug, solid	1
18	18413	1/2" Pipe plug, vent	1
19	19955	Bolt, 3/8" -16 x 1", grade 2	16
20	17336	Shim, .007, shaft	A.R.
21	17337	Shim, .007, cover	A.R.
22	17250	Gear box, complete	X

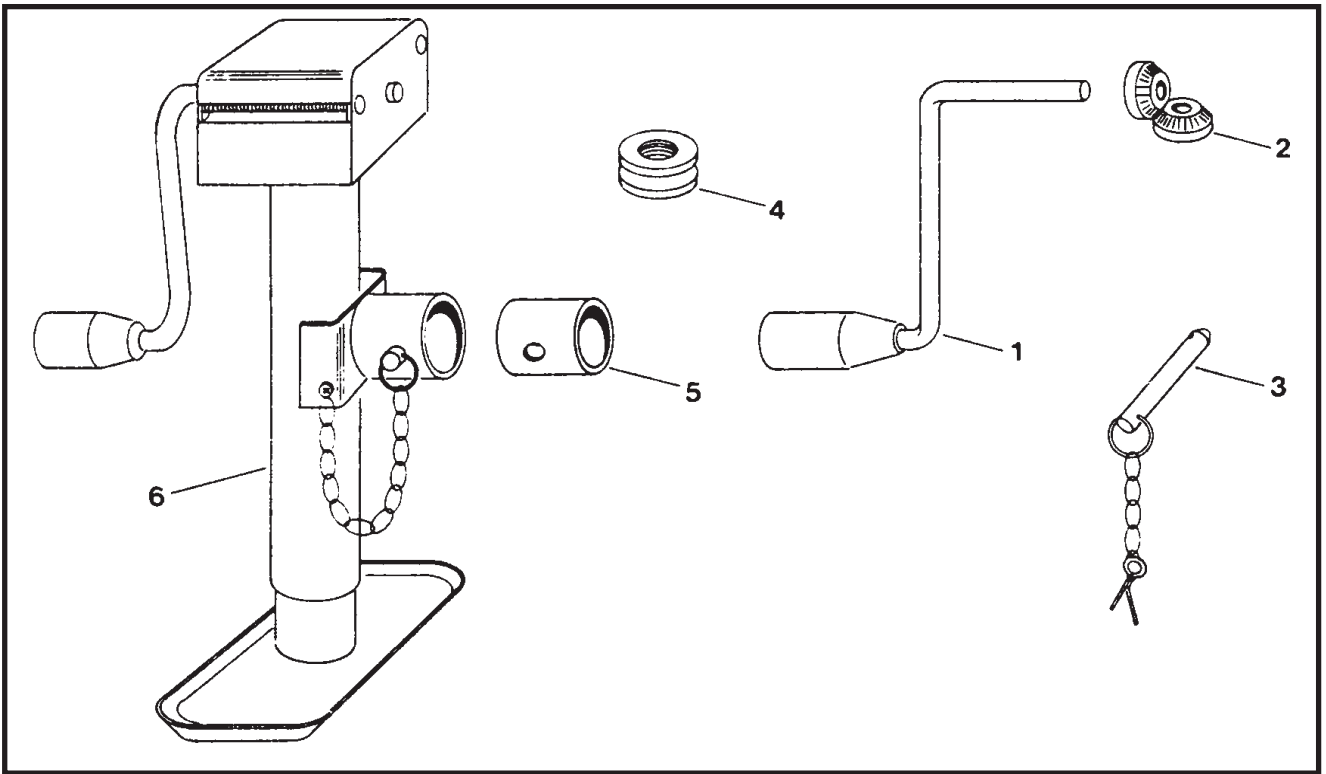
# PTO - Driveline 35R series (Weasler)



REF. NO.	PART NO.	PARTS DESCRIPTION
1	17315	1/2 PTO driveline, tractor end
2	17316	1/2 PTO driveline, implement end
1&2	17260	Complete PTO driveline
3	18270	Spring lock repair kit
4	18271	Universal joint repair kit
5	17317	Outer guard c/w Ref. #9
6	17318	Inner guard c/w Ref. #9
7	17319	End yoke

REF. NO.	PART NO.	PARTS DESCRIPTION
8	18454	Bolt & locknut, 3/8" - 16 x 1", grade 8
9	17320	Nylon retainer kit
10	18470	Ball bearing kit
11	19995	Bolt, 3/8" - 16 x 1/2", grade 5
12	18440	Shear assembly
13	18593	Roll pin, 1/4" x 1"
14	18485	Blank disc

# Sidewinder Jack



REF. NO.	PART NO.			PARTS DESCRIPTION
	FULTON	RAM	CROWN	
1	18538	18534	18373	Crank assembly kit
2	18539	18535	18375	Beveled gear kit
3	18374	18374	18374	Pin & chain kit
4	—	—	—	Not available
5	18116	18116	18116	Pipe mount, weld on
6	18080	18080	18080	Jack, side winder

**TRANSPORT AUGER  
TUBE / UNDERCARRIAGE**

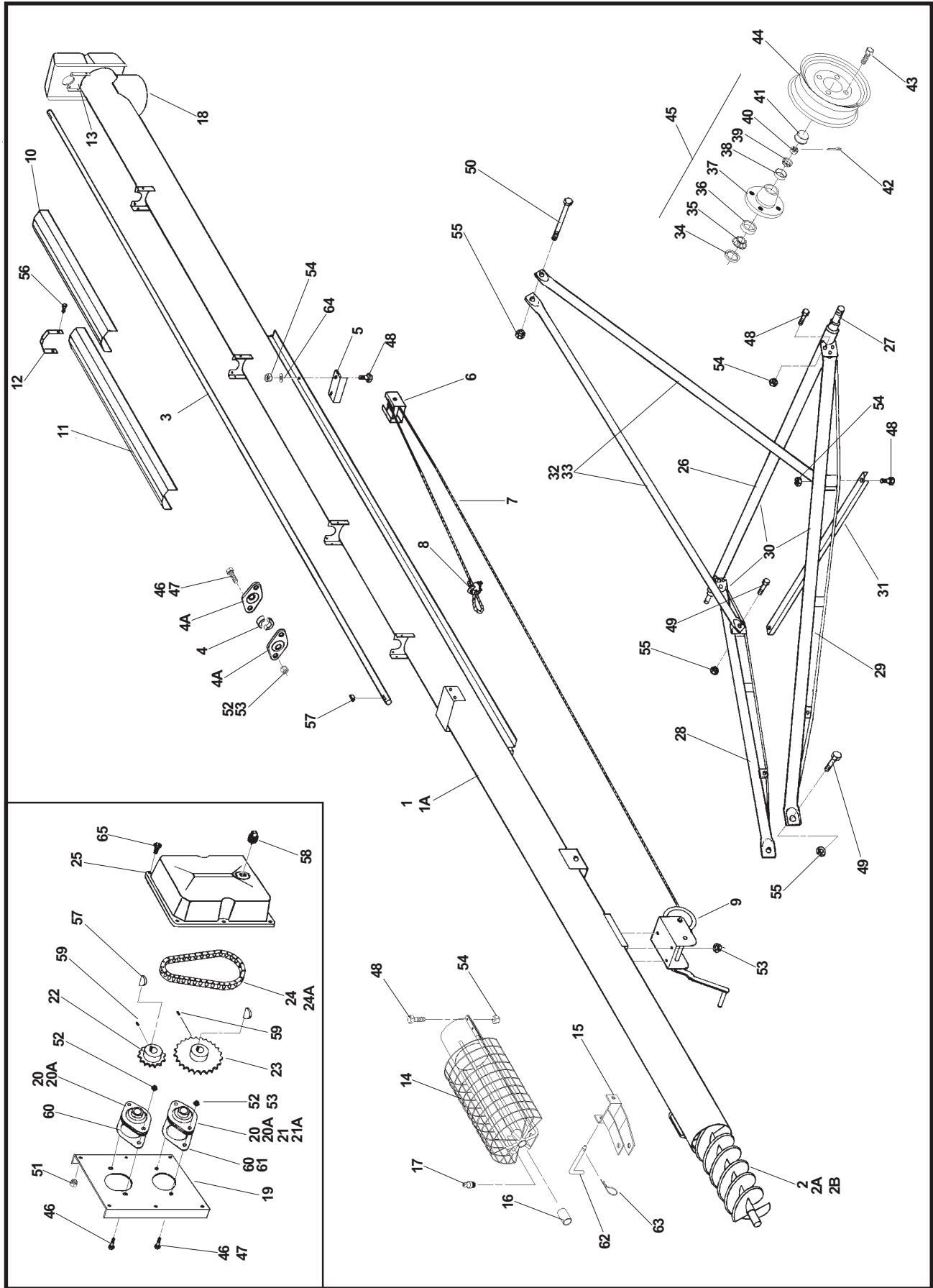
Description	Page
WR60 - WR70 - WR80 x 26' basic auger .....	J2-3
WR60 - WR70 - WR80 x 31' basic auger .....	J4-5
WR60 - WR70 - WR80 x 36' basic auger .....	J6-7
WR60 - WR70 - WR80 x 41' basic auger .....	J8-9
WR70 - WR80 x 46' basic auger .....	J10-11
WR60 - WR70 - WR80 x 51' basic auger .....	J12-13
WR80 - 56' basic auger .....	J14-15
WR60 - WR80 - 61' basic auger .....	J16-17
WR80 - 71' basic auger .....	J18-19
WR100 x 31' basic auger .....	J20-21
WR100 x 41' basic auger .....	J22-23
WR100 x 51' basic auger .....	J24-25
WR100 x 61' basic auger .....	J26-27
WR100 x 71' basic auger .....	J28-29
W130 x 41' basic auger .....	J30-31
W130 x 51' basic auger .....	J32-33
W130 x 61' basic auger .....	J34-35
W130 x 71' basic auger .....	J36-37

Westfield RED PAINT Spray can..... Part No. 19885  
 Westfield YELLOW PAINT Spray can..... Part No. 19886

WR 60-70-80-100 AND W130 AUGERS TUBE / UNDERCARRIAGE	<b>J</b>
--	----------



# WR60, WR70, WR80 - 26' Basic Auger

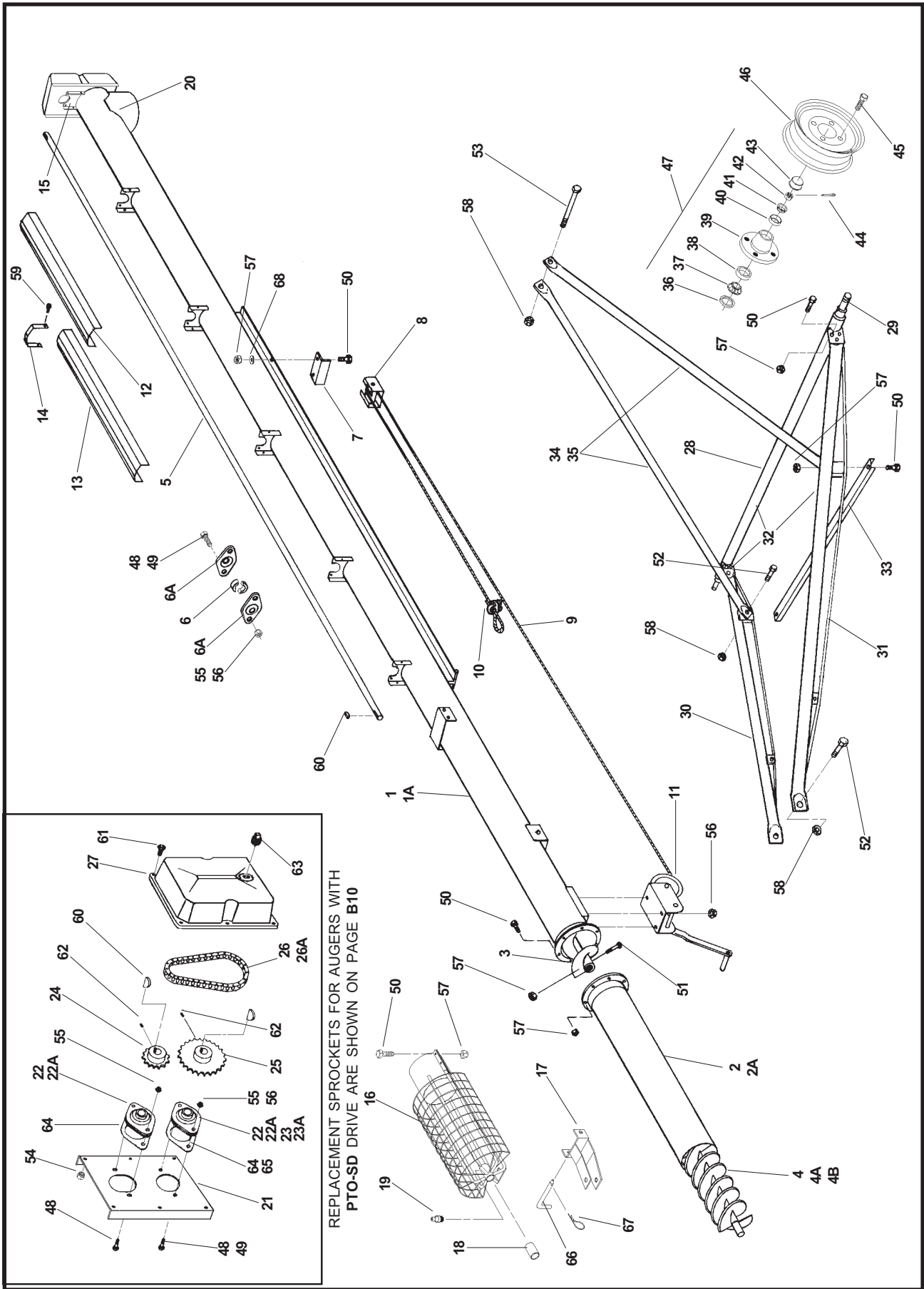


# WR60, WR70, WR80 - 26' Basic Auger

REF. NO.	PARTNO.			PARTSDESCRIPTION	NO. REQD
	6"	7"	8"		
36	19266	19266	19266	Large cup, Timken#LM67010	2
37	19267	19267	19267	Hub w/cups	2
38	19268	19268	19268	Small cup, Timken#LM11910	2
39	19269	19269	19269	Small bearing, Timken#LM11949	2
40	19270	19270	19270	Slotted nut, 3/4" - 16	2
41	19272	19272	19272	Dust cap	2
42	19271	19271	19271	Cotter pin, 1/8" x 1-1/2"	2
43	19273	19273	19273	Wheel bolt, 1/2" - 20	8
44	19261	19261	19261	15" Wheel, 4 bolt	2
45	19467	19467	19467	Hub assembly, complete	2
46	19538	19538	19538	Bolt, 5/16" - 18 x 3/4", grade 2	x
47	—	—	19540	Bolt, 3/8" - 16 x 3/4", grade 2	x
48	19542	19542	19542	Bolt, 7/16" - 14 x 1", grade 5	x
49	19590	19590	19590	Bolt, 5/8" - 11 x 1-1/2", grade 5	x
50	19591	19591	19591	Bolt, 5/8" - 11 x 6-1/2", grade 5	x
51	19594	19594	19594	Washer locknut, 1/4" - 20	x
52	19595	19595	19595	Washer locknut, 5/16" - 18	x
53	19596	19596	19596	Washer locknut, 3/8" - 16	x
54	19598	19598	19598	Locknut, 7/16" - 14	x
55	19600	19600	19600	Locknut, 5/8" - 11	x
56	19274	19274	19274	Selftapping screw, #14 x 5/8", w/washerhead	x
57	19224	19224	19224	Woodruff key, 1/4" x 1"	x
58	17179	17179	17179	3/8" Plug	1
59	19225	19225	19225	Setscrew, 3/8" - 16 x 3/8"	x
60	17167	17167	17167	Gasket for 1" flangette bearing	x
61	---	---	17168	Gasket for 1-1/4" flangette bearingx	
62	17181	17181	17181	Clevis pin	1
63	17383	17383	17383	Grip clip	1
64	17182	17182	17182	Track washer, 7/16"	2
65	19988	19988	19988	Bolt, 1/4" - 20 x 1", grade 2	x

REF. NO.	PARTNO.			PARTSDESCRIPTION	NO. REQD
	6"	7"	8"		
1	19028	19029	19030	Tube section, w/driveshaft, housing, track	1
1A	19054	19055	19056	Tube bundle, as shipped	1
2	19005	19099	19389	Flight section	1
2A	19083	19084	19085	20" Weld-on crimped intake flight	2
2B	17532	17533	17534	Slip on intake flight (1998 & later)	1
3	19086	19086	—	Driveshaft, 14' 4" long	1
3	—	—	19087	Driveshaft, 14' 4-1/2" long	1
4	18692	18692	—	1" split hardwood bearing, set of 2 halves	4
4	—	—	18693	1-1/4" split hardwood bearing, set of 2 halves	4
4A	18694	18694	—	1" bearing flange, single, 2 bolt	x
4A	—	—	18695	1-1/4" bearing flange, single, 2 bolt	x
5	18762	18762	18762	Angle track stop	1
6	18763	18763	18763	Roller track shoe	1
7	19245	19245	19245	1/4" Cable, 21' long	1
8	19147	19147	19147	1/4" Cable clamp	2
9	19151	19151	19151	Winch, 4:1 ratio	1
10	19254	19254	19254	Driveshaft shield, 42" long	2
11	19255	19255	19255	Driveshaft shield, 48" long	2
12	19256	19256	19256	Shield tie-down strap	5
13	19257	19257	19257	Upper shield attach bracket	1
14	19019	19192	19398	Intake hitch w/shield, bushing, grease fitting	1
15	17123	17123	17123	Clevis, less pin	1
16	19149	19149	19149	1" Bushing	1
17	19222	19222	19222	Press-in grease fitting	1
18	19020	17155	17156	Weld-on outlet spout	1
19	17170	17171	17172	Upper drive housing	1
20	19321	19321	19321	1" Flangette bearing, 2 bolt w/flanges	x
20A	18817	18817	18817	1" Bearing, less flanges	x
21	—	—	19322	1-1/4" Flangette bearing, 2 bolt w/flanges	x
21A	—	—	18853	1-1/4" Bearing, less flanges	x
22	19131	19131	19430	Upper sprocket, 14 tooth	1
23	19132	19132	19431	Lower sprocket, 25 tooth	1
24	19015	19133	19432	Roller chain w/connector	1
24A	19134	19134	19433	Roller chain connector only	1
25	17157	17157	17158	Housing cover	1
26	19335	19335	19335	Axle w/spindles, nuts, cotter pins	1
27	19262	19262	19262	Spindle, weld-on	2
28	19344	19344	19344	Lower reach tube, left	1
29	19345	19345	19345	Lower reach tube, right	1
30	19362	19362	19362	Lower reach frame bundle, as shipped	1
31	19371	19371	19371	Cross member	1
32	19380	19380	19380	Upper lift tube, left or right, single	2
33	19526	19526	19526	Upper lift bundle, as shipped, includes ref.#31	1
34	19264	19264	19264	Seal	2
35	19265	19265	19265	Large bearing, Timken #LM 67048	2

# WR60, WR70, WR80 - 31' Basic Auger



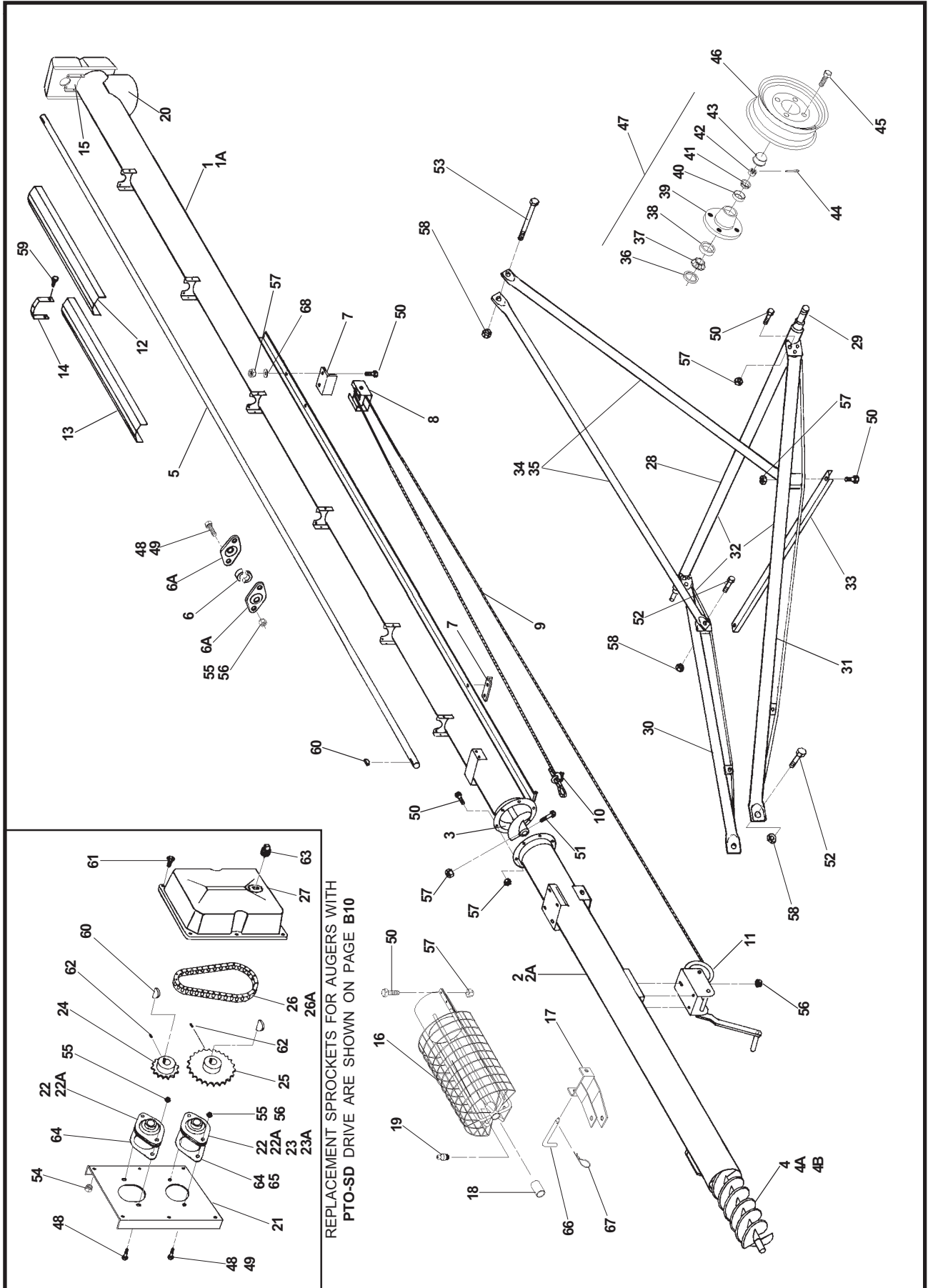
# WR60, WR70, WR80 - 31' Basic Auger

REF. NO.	PART NO.			PARTS DESCRIPTION	NO. REQD
	6"	7"	8"		
1	19031	19032	19033	Upper tube section w/driveshaft, housing, track	1
1A	19057	19058	19059	Upper tube bundle, as shipped	1
2	19007	19106	19390	Lower tube section	1
2A	19060	19061	19062	Lower tube bundle, as shipped	1
3	19006	19105	19402	Upper flight section	1
4	19010	19111	19393	Lower flight section	1
4A	19083	19084	19085	20" Weld-on crimped intake flight	2
4B	17532	17533	17534	Slip on intake flight (1998 & later)	1
5	19203	19203	—	Driveshaft, 18' 5-3/4" long	1
5	—	—	19204	Driveshaft, 18' 6-1/4" long	1
6	18692	18692	—	1" split hardwood bearing, set of 2 halves	5
6	—	—	18693	1-1/4" split hardwood bearing, set of 2 halves	5
6A	18694	18694	—	1" bearing flange, single, 2 bolt	x
6A	—	—	18695	1-1/4" bearing flange, single, 2 bolt	x
7	18762	18762	18762	Angle track stop	1
8	18763	18763	18763	Roller track shoe	1
9	19246	19246	19246	1/4" cable, 24' long	1
10	19147	19147	19147	1/4" cable clamp	2
11	19151	19151	19151	Winch, 4:1 ratio	1
12	19254	19254	19254	Driveshaft shield, 42" long	2
13	19255	19255	19255	Driveshaft shield, 48" long	3
14	19256	19256	19256	Shield tie-down strap	6
15	19257	19257	19257	Upper shield attach bracket	1
16	19019	19192	19398	Intake hitch w/shield, bushing, grease fittings	1
17	17123	17123	17123	Clevis, less pin	1
18	19149	19149	19149	1" Bushing	1
19	19222	19222	19222	Press-in grease fitting	1
20	19020	17155	17156	Weld-on outlet spout	1
21	17170	17171	17172	Upper drive housing	1
22	19321	19321	19321	1" Flangette bearing, 2 bolt w/flanges	x
22A	18817	18817	18817	1" Bearing, less flanges	x
23	—	—	19322	1-1/4" Flangette bearing, 2 bolt w/flanges	x
23A	—	—	18853	1-1/4" Bearing, less flanges	x
24	19131	19131	19430	Upper sprocket, 14 tooth	1
25	19132	19132	19431	Lower sprocket, 25 tooth	1
26	19015	19133	19432	Roller chain w/connector	1
26A	19134	19134	19433	Roller chain connector only	1
27	17157	17157	17158	Housing cover	1
28	19336	19336	19336	Axle w/spindles, nuts, cotter pins	1
29	19262	19262	19262	Spindle, weld-on	2
30	19346	19346	19346	Lower reach tube, left	1
31	19347	19347	19347	Lower reach tube, right	1
32	19363	19363	19363	Lower reach frame bundle, as shipped	1
33	19372	19372	19372	Cross member	1
34	19381	19381	19381	Upper lift tube, left or right, single	2

REF. NO.	PART NO.			PARTS DESCRIPTION	NO. REQD
	6"	7"	8"		
35	19527	19527	19527	Upper lift bundle, as shipped, includes Ref. #33	1
36	19264	19264	19264	Seal	2
37	19265	19265	19265	Large bearing, Timken #LM 67048	2
38	19266	19266	19266	Large cup, Timken #LM 67010	2
39	19267	19267	19267	Hub w/cups	2
40	19268	19268	19268	Small cup, Timken #LM 11910	2
41	19269	19269	19269	Small bearing, Timken #LM 11949	2
42	19270	19270	19270	Slotted nut, 3/4" - 16	2
43	19272	19272	19272	Dust cap	2
44	19271	19271	19271	Cotter pin, 1/8" x 1-1/2"	2
45	19273	19273	19273	Wheel bolt, 1/2" - 20 x 1"	8
46	19261	19261	19261	15" Wheel, 4 bolt	2
47	19467	19467	19467	Hub assembly, complete	2
48	19538	19538	19538	Bolt, 5/16" - 18 x 3/4", grade 2	x
49	—	—	19540	Bolt, 3/8" - 16 x 3/4", grade 2	x
50	19542	19542	19542	Bolt, 7/16" - 14 x 1", grade 5	x
51	—	—	19545	Bolt, 7/16" - 14 x 2-1/4", grade 8	x
52	19590	19590	19590	Bolt, 5/8" - 11 x 1-1/2", grade 5	x
53	19591	19591	19591	Bolt, 5/8" - 11 x 6-1/2", grade 5	x
54	19594	19594	19594	Washer locknut, 1/4" - 20	x
55	19595	19595	19595	Washer locknut, 5/16" - 18	x
56	19596	19596	19596	Washer locknut, 3/8" - 16	x
57	19598	19598	19598	Locknut, 7/16" - 14	x
58	19600	19600	19600	Locknut, 5/8" - 11	x
59	19274	19274	19274	Selftapping screw, #14 x 5/8", w/washerhead	x
60	19224	19224	19224	Woodruff key, 1/4" x 1"	x
61	19988	19988	19988	Bolt, 1/4" - 20 x 1", grade 2	x
62	19225	19225	19225	Setscrew, 3/8" - 16 x 3/8"	x
63	17179	17179	17179	3/8" Plug	1
64	17167	17167	17167	Gasket for 1" flangette bearing	x
65	---	---	17168	Gasket for 1-1/4" flangette bearing	x
66	17181	17181	17181	Clevis pin	1
67	17383	17383	17383	Grip clip	1
68	17182	17182	17182	Track washer, 7/16"	2
--	19677	17772	19683	Basic carton	1

# WR60, WR70, WR80 - 36' Basic Auger



REPLACE SPROCKETS FOR AUGERS WITH  
PTO-SD DRIVE ARE SHOWN ON PAGE B10

# WR60, WR70, WR80 - 36' Basic Auger

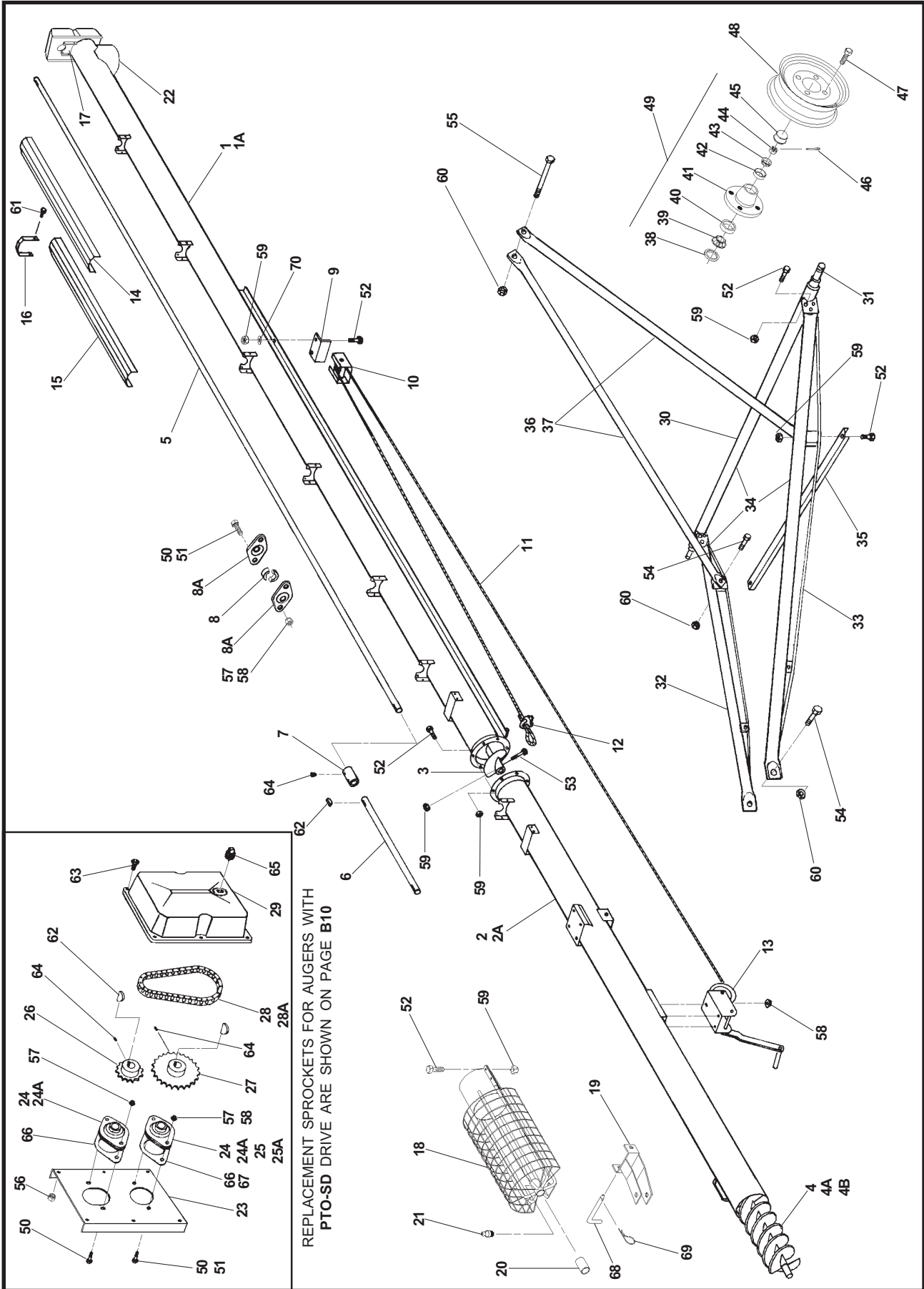
REF. NO.	PART NO.			PARTS DESCRIPTION	NO. REQD
	6"	7"	8"		
1	19034	19035	19036	Upper tube section w/driveshaft, housing, track	1
1A	19063	19064	19065	Upper tube bundle, as shipped	1
2	19037	19038	19039	Lower tube section	1
2A	19066	19067	19068	Lower tube bundle, as shipped	1
3	19006	19105	19402	Upper flight section	1
4	19011	19112	19407	Lower flight section	1
4A	19083	19084	19085	20" weld-on crimped intake flight	2
4B	17532	17533	17534	Slip on intake flight (1998 & later)	1
5	19205	19205	—	Driveshaft, 22' 3" long	1
5	—	—	19206	Driveshaft, 22' 3-1/2" long	1
6	18692	18692	—	1" split hardwood bearing, set of 2 halves	6
6	—	—	18693	1-1/4" split hardwood bearing, set of 2 halves	6
6A	18694	18694	—	1" bearing flange, single, 2 bolt	x
6A	—	—	18695	1-1/4" bearing flange, single, 2 bolt	x
7	18762	18762	18762	Angle track stop	2
8	18763	18763	18763	Roller track shoe	1
9	19248	19248	19248	1/4" Cable, 34' 6" long	1
10	19147	19147	19147	1/4" Cable clamp	2
11	19151	19151	19152	Winch	1
12	19254	19254	19254	Driveshaft shield, 42" long	2
13	19255	19255	19255	Driveshaft shield, 48" long	4
14	19256	19256	19256	Shield tie-down strap	7
15	19257	19257	19257	Upper shield attach bracket	1
16	19019	19192	19398	Intake hitch w/shield, bushing, grease fitting	1
17	17123	17123	17123	Clevis, less pin	1
18	19149	19149	19149	1" Bushing	1
19	19222	19222	19222	Press-in grease fitting	1
20	19020	17155	17156	Weld-on outlet spout	1
21	17170	17171	17172	Upper drive housing	1
22	19321	19321	19321	1" Flangette bearing, 2 bolt w/flanges	x
22A	18817	18817	18817	1" Bearing, less flanges	x
23	—	—	19322	1-1/4" Flangette bearing, 2 bolt w/flanges	x
23A	---	---	18853	1-1/4" Bearing, less flanges	x
24	19131	19131	19430	Upper sprocket, 14 tooth	1
25	19132	19132	19431	Lower sprocket, 25 tooth	1
26	19015	19133	19432	Roller chain w/connector	1
26A	19134	19134	19433	Roller chain connector only	1
27	17157	17157	17158	Housing cover	1
28	19337	19337	19337	Axle w/spindles, nuts, cotter pins	1
29	19262	19262	19262	Spindle, weld-on	2
30	19348	19348	19348	Lower reach tube, left	1
31	19349	19349	19349	Lower reach tube, right	1
32	19364	19364	19364	Lower reach frame bundle, as shipped	1
33	19373	19373	19373	Cross member	1
34	19382	19382	19382	Upper lift tube, left or right, single	2

REF. NO.	PART NO.			PARTS DESCRIPTION	NO. REQD
	6"	7"	8"		
35	19528	19528	19528	Upper lift bundle, as shipped, includes Ref.#33	1
36	19264	19264	19264	Seal	2
37	19265	19265	19265	Large bearing, Timken#LM67048	2
38	19266	19266	19266	Large cup, Timken#LM67010	2
39	19267	19267	19267	Hub w/cups	2
40	19268	19268	19268	Small cup, Timken#LM11910	2
41	19269	19269	19269	Small bearing, Timken#LM11949	2
42	19270	19270	19270	Slotted nut, 3/4" - 16	2
43	19272	19272	19272	Dust cap	2
44	19271	19271	19271	1/8" x 1-1/2" Cotter pin	2
45	19273	19273	19273	Wheel bolt, 1/2" - 20 x 1"	8
46	19261	19261	19261	15" Wheel, 4 bolt	2
47	19467	19467	19467	Hub assembly, complete	2
48	19538	19538	19538	Bolt, 5/16" - 18 x 3/4", grade 2	x
49	—	—	19540	Bolt, 3/8" - 16 x 3/4", grade 2	x
50	19542	19542	19542	Bolt, 7/16" - 14 x 1", grade 5	x
51	—	—	19545	Bolt, 7/16" - 14 x 2-1/4", grade 8	x
52	19590	19590	19590	Bolt, 5/8" - 11 x 1-1/2", grade 5	x
53	19591	19591	19591	Bolt, 5/8" - 11 x 6-1/2", grade 5	x
54	19594	19594	19594	Washer locknut, 1/4" - 20	x
55	19595	19595	19595	Washer locknut, 5/16" - 18	x
56	19596	19596	19596	Washer locknut, 3/8" - 16	x
57	19598	19598	19598	Locknut, 7/16" - 14	x
58	19600	19600	19600	Locknut, 5/8" - 11	x
59	19274	19274	19274	Selftapping screw, #14 x 5/8" w/washerhead	x
60	19224	19224	19224	Woodruff key, 1/4" x 1"	x
61	19988	19988	19988	Bolt, 1/4" - 20 x 1", grade 2	x
62	19225	19225	19225	Setscrew, 3/8" - 16 x 3/8"	x
63	17179	17179	17179	3/8" Plug	1
64	17167	17167	17167	Gasket for 1" flangette bearing	x
65	---	---	17168	Gasket for 1-1/4" flangette bearing	x
66	17181	17181	17181	Clevis pin	1
67	17383	17383	17383	Grip clip	1
68	17182	17182	17182	Track washer, 7/16"	2
--	19678	17773	19684	Basic carton	1



# WR60, WR70, WR80 - 41' Basic Auger



REPLACEMENT SPROCKETS FOR AUGERS WITH  
PTO-SD DRIVE ARE SHOWN ON PAGE B10



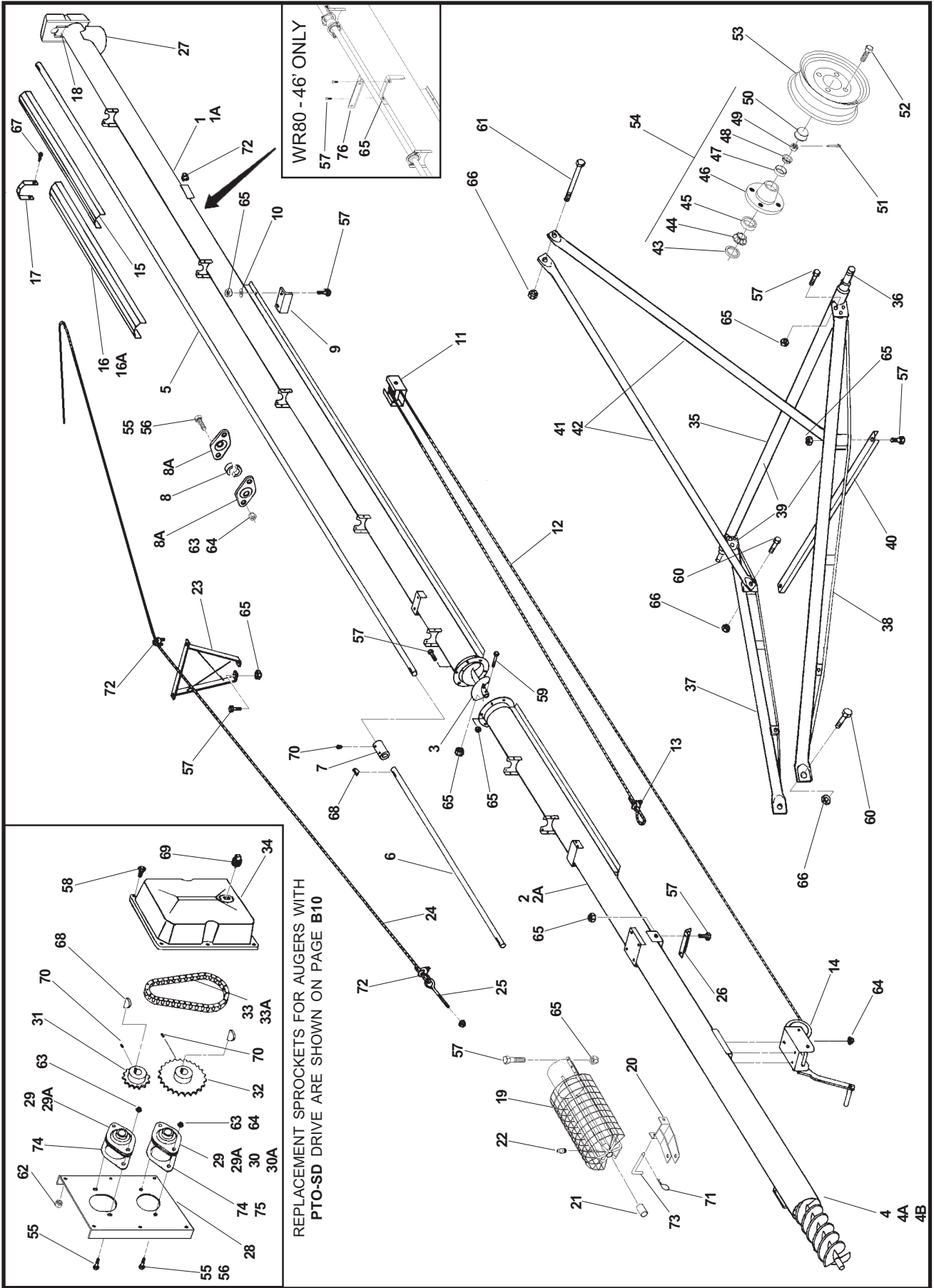
# WR60, WR70, WR80 - 41' Basic Auger

REF. NO.	PARTNO.			PARTSDESCRIPTION	NO. REQD
	6"	7"	8"		
1	19034	19035	19036	Upper tube section w/driveshaft, housing track	1
1A	19063	19064	19065	Upper tube bundle, as shipped	1
2	19040	19041	19042	Lower tube section	1
2A	19069	19070	19071	Lower tube bundle, as shipped	1
3	19006	19105	19402	Upper flight section	1
4	19012	19113	19408	Lower flight section	1
4A	19083	19084	19085	20" weld-on crimped intake flight	2
4B	17532	17533	17534	Slip on intake flight (1998 & later)	1
5	19205	19205	—	Upper driveshaft, 22' 3" long	1
5	—	—	19206	Upper driveshaft, 22' 3-1/2" long	1
6	19236	19236	19237	Lower driveshaft, 3' 9-1/2" long	1
7	19119	19119	19119	Driveshaft connector	1
8	18692	18692	—	1" split hardwood bearing, set of 2 halves	7
8	—	—	18693	1-1/4" split hardwood bearing, set of 2 halves	7
8A	18694	18694	—	1" bearing flange, single, 2 bolt	x
8A	—	—	18695	1-1/4" bearing flange, single, 2 bolt	x
9	18762	18762	18762	Angle track stop	1
10	18763	18763	18763	Roller track shoe	1
11	19248	19248	19248	1/4" Cable, 34' 6" long	1
12	19147	19147	19147	1/4" Cable clamp	2
13	19151	19151	19152	Wind	1
14	19254	19254	19254	Driveshaft shield, 42" long	2
15	19255	19255	19255	Driveshaft shield, 48" long	5
16	19256	19256	19256	Shield tie-down strap	8
17	19257	19257	19257	Upper shield attach bracket	1
18	19019	19192	19398	Intake hitch w/shield, bushing, grease fitting	1
19	17123	17123	17123	Clevis, less pin	1
20	19149	19149	19149	1" Bushing	1
21	19222	19222	19222	Press-in grease fitting	1
22	19020	17155	17156	Weld-on outlet spout	1
23	17170	17171	17172	Upper drive housing	1
24	19321	19321	19321	1" Flangette bearing, 2 bolt w/flanges	x
24A	18817	18817	18817	1" Bearing, less flanges	x
25	—	—	19322	1-1/4" Flangette bearing, 2 bolt w/flanges	x
25A	—	—	18853	1-1/4" Bearing, less flanges	x
26	19131	19131	19430	Upper sprocket, 14 tooth	1
27	19132	19132	19431	Lower sprocket, 25 tooth	1
28	19015	19133	19432	Roller chain w/connector	1
28A	19134	19134	19433	Roller chain connector only	1
29	17157	17157	17158	Housing cover	1
30	19338	19338	19338	Axle w/spindles, nuts, cotter pins	1
31	19262	19262	19262	Spindle, weld-on	2
32	19350	19350	19350	Lower reach tube, left	1
33	19351	19351	19351	Lower reach tube, right	1
34	19365	19365	19365	Lower reach frame bundle, as shipped	1

REF. NO.	PARTNO.			PARTSDESCRIPTION	NO. REQD
	6"	7"	8"		
35	19374	19374	19374	Cross member	1
36	19383	19383	19383	Upper lift tube, left or right, single	2
37	19529	19529	19529	Upper lift bundle, as shipped, includes Ref. #35	1
38	19264	19264	19264	Seal	2
39	19265	19265	19265	Large bearing, Timken#LM67048	2
40	19266	19266	19266	Large cup, Timken#LM67010	2
41	19267	19267	19267	Hub w/cups	2
42	19268	19268	19268	Small cup, Timken#LM11910	2
43	19269	19269	19269	Small bearing, Timken#LM11949	2
44	19270	19270	19270	Slotted nut, 3/4" - 16	2
45	19272	19272	19272	Dust cap	2
46	19271	19271	19271	1/8" x 1-1/2" Cotter pin	2
47	19273	19273	19273	Wheel bolt, 1/2" - 20	8
48	19261	19261	19261	15" Wheel, 4 bolt	2
49	19467	19467	19467	Hub assembly, complete	2
50	19538	19538	19538	Bolt, 5/16" - 18 x 3/4", grade 2	x
51	—	—	19540	Bolt, 3/8" - 16 x 3/4", grade 2	x
52	19542	19542	19542	Bolt, 7/16" - 14 x 1", grade 5	x
53	—	—	19545	Bolt, 7/16" - 14 x 2-1/4", grade 8	x
54	19590	19590	19590	Bolt, 5/8" - 11 x 1-1/2", grade 5	x
55	19591	19591	19591	Bolt, 5/8" - 11 x 6-1/2", grade 5	x
56	19594	19594	19594	Washer locknut, 1/4" - 20	x
57	19595	19595	19595	Washer locknut, 5/16" - 18	x
58	19596	19596	19596	Washer locknut, 3/8" - 16	x
59	19598	19598	19598	Locknut, 7/16" - 14	x
60	19600	19600	19600	Locknut, 5/8" - 11	x
61	19274	19274	19274	Selftapping screw, #14 x 5/8" w/washerhead	x
62	19224	19224	19224	Woodruff key, 1/4" x 1"	x
63	19988	19988	19988	Bolt, 1/4" - 20 x 1", grade 2	x
64	19225	19225	19225	Setscrew, 3/8" - 16 x 3/8"	x
65	17179	17179	17179	3/8" Plug	1
66	17167	17167	17167	Gasket for 1" flangette bearing	x
67	---	---	17168	Gasket for 1-1/4" flangette bearing	x
68	17181	17181	17181	Clevis pin	1
69	17383	17383	17383	Grip clip	1
70	17182	17182	17182	Track washer, 7/16"	2
--	19679	17774	19685	Basic carton	1

# WR70, WR80 - 46' Basic Auger



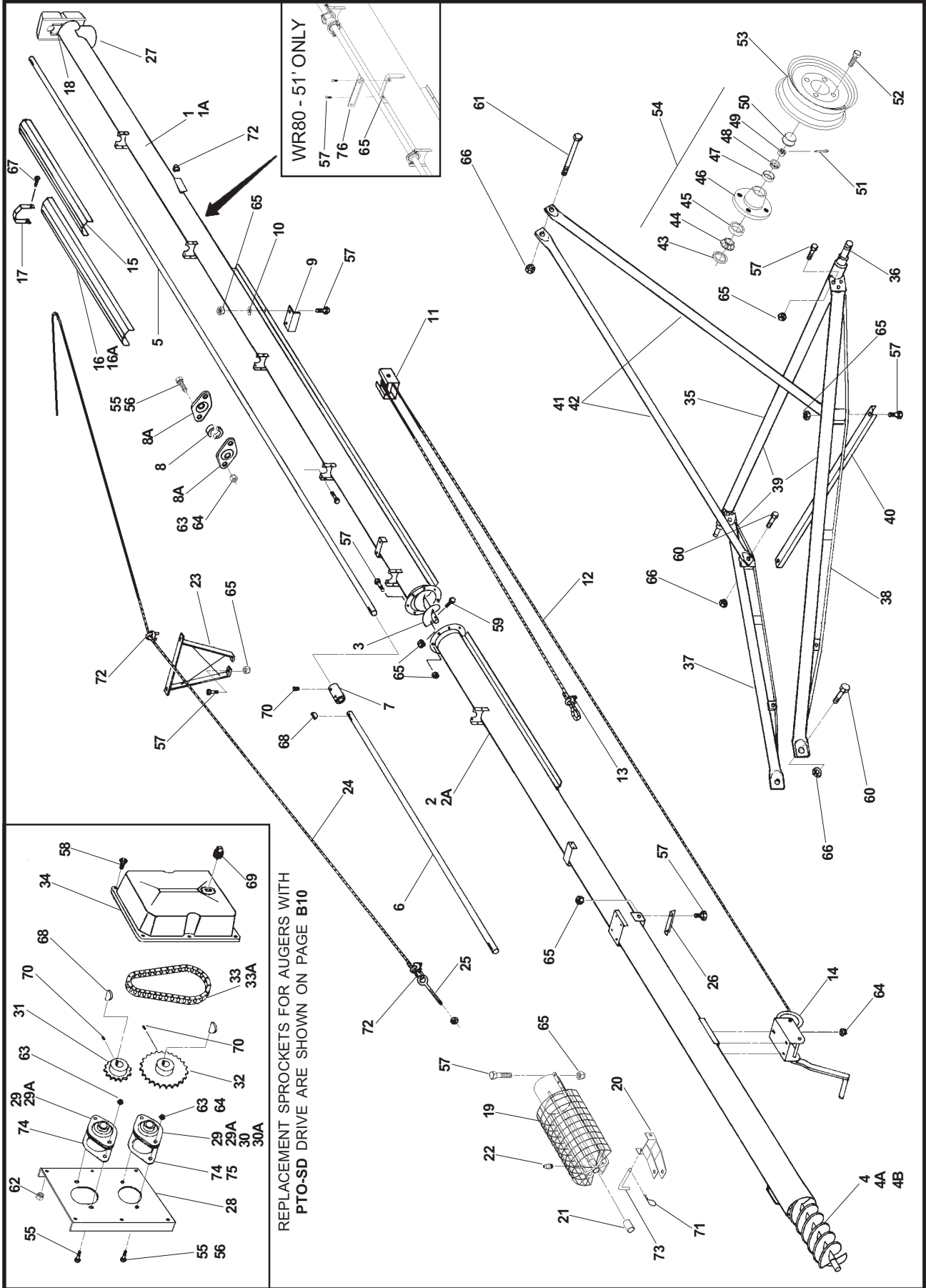
REPLACEMENT SPROCKETS FOR AUGERS WITH PTO-SD DRIVE ARE SHOWN ON PAGE B10

# WR70, WR80 - 46' Basic Auger

REF. NO.	PART NO.		PARTS DESCRIPTION	NO. REQ'D
	7"	8"		
33A	19134	19433	Roller chain connector only	1
34	17157	17158	Housing cover	1
35	19339	19339	Axle w/spindles, nuts, cotter pins	1
36	19263	19263	Spindle, weld-on	2
37	19352	19352	Lower reach tube, left	1
38	19353	19353	Lower reach tube, right	1
39	19366	19366	Lower reach frame bundle, as shipped	1
40	19375	19375	Cross member	1
41	19384	19384	Upper lift tube, left or right, single	2
42	19531	19531	Upper lift bundle, as shipped, includes ref. #40	1
43	19264	19264	Seal	2
44	19265	19265	Large bearing, Timken #LM 67048	2
45	19266	19266	Large cup, Timken #LM 67010	2
46	19267	19267	Hub w/cups	2
47	19268	19268	Small cup, Timken #LM 11910	2
48	19269	19269	Small bearing, Timken #LM 11949	2
49	19270	19270	Slotted nut, 3/4" - 16	2
50	19272	19272	Dust cap	2
51	19271	19271	Cotter pin, 1/8" x 1-1/2"	2
52	19273	19273	Wheel bolt, 1/2" - 20	8
53	19261	19261	15" Wheel, 4 bolt	2
54	19467	19467	Hub assembly, complete	2
55	19538	19538	Bolt, 5/16" - 18 x 3/4", grade 2	x
56	---	19540	Bolt, 3/8" - 16 x 3/4", grade 2	x
57	19542	19542	Bolt, 7/16" - 14 x 1", grade 5	x
58	19988	19988	Bolt, 1/4" - 20 x 1", grade 2	x
59	---	19545	Bolt, 7/16" - 14 x 2-1/4", grade 8	x
60	19590	19590	Bolt, 5/8" - 11 x 1-1/2", grade 5	x
61	19591	19591	Bolt, 5/8" - 11 x 6-1/2", grade 5	x
62	19594	19594	Washer locknut, 1/4" - 20	x
63	19595	19595	Washer locknut, 5/16" - 18	x
64	19596	19596	Washer locknut, 3/8" - 16	x
65	19598	19598	Locknut, 7/16" - 14	x
66	19600	19600	Locknut, 5/8" - 11	x
67	19274	19274	Selftapping screw, #14 x 5/8", with washerhead	x
68	19224	19224	Woodruff key, 1/4" x 1"	x
69	17179	17179	3/8" Plug	1
70	19225	19225	Set screw, 3/8" - 16 x 3/8"	x
71	17383	17383	Grip clip	1
72	19333	19333	Cable clamp, 5/16"	5
73	17181	17181	Clevis pin	1
74	17167	17167	Gasket for 1" flangette bearing	x
75	---	17168	Gasket for 1-1/4" flangette bearing	x
76	---	27863	Upper cable attach bracket (WR80 - 46 Only)	x
--	19680	19680	Basic carton	1

REF. NO.	PART NO.		PARTS DESCRIPTION	NO. REQ'D
	7"	8"		
1	18711	27824	Upper tube section w/driveshaft, housing	1
1A	18722	27839	Upper tube bundle, as shipped	1
2	17183	17184	Lower tube section	1
2A	17185	17186	Lower tube bundle, as shipped	1
3	19105	19402	Upper flight section	1
4	19114	19409	Lower flight section	1
4A	19084	19085	20" Weld-on crimped intake flight	2
4B	17533	17534	Slip on intake flight (1998 & later)	1
5	18700	---	Upper driveshaft, 1" x 24' 2"	1
5	---	18702	Upper driveshaft, 1-1/4" x 24'	1
6	17187	---	Lower driveshaft, 1" x 5' 6-1/2"	1
6	---	17189	Lower driveshaft, 1-1/4" x 10' 2-1/2"	1
7	19119	19119	Driveshaft connector	1
8	18692	---	1" Split hardwood bearing, set of 2 halves	7
8	---	18693	1-1/4" Split hardwood bearing, set of 2 halves	7
8A	18694	---	1" Bearing flange, single, 2 bolt	x
8A	---	18695	1-1/4" Bearing flange, single, 2 bolt	x
9	18762	18762	Angle track stop	1
10	17182	17182	Track washer, 7/16"	2
11	18763	18763	Roller track shoe	1
12	19249	19249	1/4" Cable, 44' long	1
13	19147	19147	1/4" Cable clamp	2
14	19152	19152	Winch, 5:1 ratio	1
15	19254	19254	Driveshaft shield, 42" long	x
16	19255	19255	Driveshaft shield, 48" long	x
16A	18829	18829	Driveshaft shield, 60" long	x
17	19256	19256	Shield tie-down strap	x
18	19257	19257	Upper shield attach bracket	1
19	19192	19398	Intake hitch w/shield, bushing, grease fitting	1
20	17123	17123	Clevis, less pin	1
21	19149	19149	1" Bushing	1
22	19222	19222	Press-in grease fitting	1
23	19324	19324	Truss support bracket, low	1
24	18825	18825	5/16" Truss cable, 57' 6" long	1
25	19331	19331	Eye bolt w/nut	2
26	19332	19332	Truss attach angle	1
27	17155	17156	Weld-on spout	1
28	17171	17172	Upper drive housing	1
29	19321	19321	1" Flangette bearing, 2 bolt w/flanges	x
29A	18817	18817	1" Bearing, less flanges	x
30	---	19322	1-1/4" Flangette bearing, 2 bolt w/flanges	x
30A	---	18853	1-1/4" Bearing, less flanges	x
31	19131	19430	Upper sprocket, 14 tooth	1
32	19132	19431	Lower sprocket, 25 tooth	1
33	19133	19432	Roller chain w/connector	1

# WR60, WR70, WR80 - 51' Basic Auger



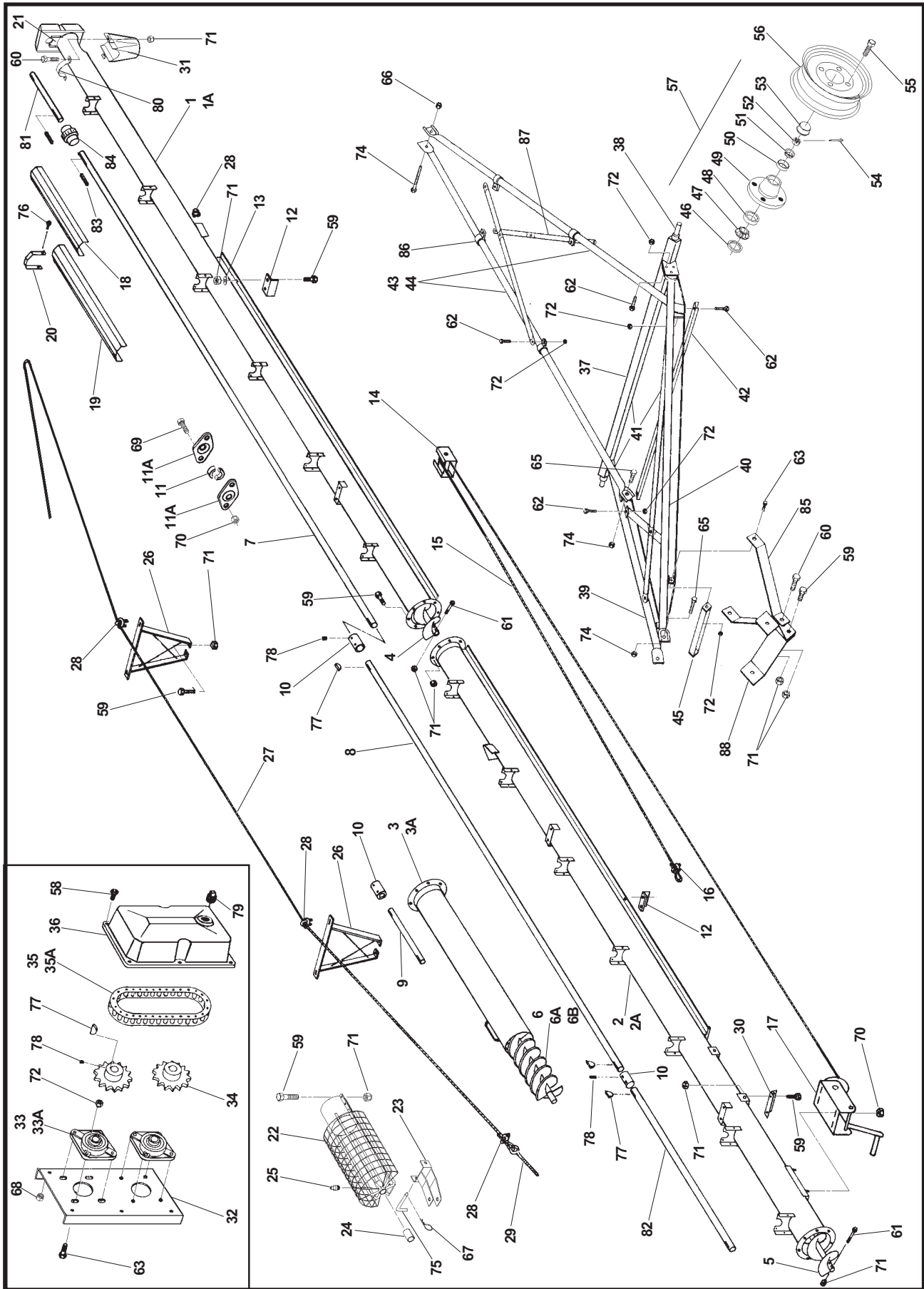
# WR60, WR70, WR80 - 51' Basic Auger

REF. NO.	PARTNO.			PARTSDESCRIPTION	NO. REQD
	6"	7"	8"		
1	17191	18711	27824	Upper tube sect. w/driveshaft, housing	1
1A	17192	18722	27839	Upper tube bundle, as shipped	1
2	17193	17194	17195	Lower tube section	1
2A	17196	17197	17198	Lower tube bundle, as shipped	1
3	19006	19105	19402	Upper flight section	1
4	17081	19115	19410	Lower flight section	1
4A	19083	19084	19085	20"Weld-on crimped intake flight	2
4B	17532	17533	17534	Slip on intake flight (1998 & later)	1
5	18700	18700	---	Upper driveshaft, 1" x 24' 2" long	1
5	---	---	18702	Upper driveshaft, 1-1/4" x 24' long	1
6	17188	17188	---	Lower driveshaft, 1" x 9' 2" long	1
6	---	---	17190	Lower driveshaft, 1-1/4" x 13' 10"	1
7	19119	19119	19119	Driveshaft connector	1
8	18692	18692	---	1" Split hardwood bearing, (2 halves)	7
8	---	---	18693	1-1/4" Split hardwood bearing, (2 halves)	7
8A	18694	18694	---	1" Bearing flange, single, 2 bolt	x
8A	---	---	18695	1-1/4" Bearing flange, single, 2 bolt	x
9	18762	18762	18762	Angle track stop	1
10	17182	17182	17182	Track washer, 7/16"	2
11	18763	18763	18763	Roller track shoe	1
12	19250	19250	19250	1/4" Cable, 47' long	1
13	19147	19147	19147	1/4" Cable clamp	2
14	19152	19152	19152	Winch, 5:1 ratio	1
15	19254	19254	19254	Driveshaft shield, 42" long	x
16	19255	19255	19255	Driveshaft shield, 48" long	x
16A	18829	18829	18829	Driveshaft shield, 60" long	x
17	19256	19256	19256	Shield tie-down strap	x
18	19257	19257	19257	Upper shield attach bracket	1
19	19019	19192	19398	Intake hitch w/shield, bushing	1
20	17123	17123	17123	Clevis, less pin	1
21	19149	19149	19149	1" Bushing	1
22	19222	19222	19222	Press-in grease fitting	1
23	19324	19324	19324	Truss support bracket, low	1
24	18826	18826	18826	5/16" Truss cable, 65' long	1
25	19331	19331	19331	Eye bolt w/nut	2
26	19332	19332	19332	Truss attach angle	1
27	19020	17155	17156	Weld-on spout	1
28	17170	17171	17172	Upper drive housing	1
29	19321	19321	19321	1" Flangette bearing, 2 bolt w/flanges	x
29A	18817	18817	18817	1" Bearing, less flanges	x
30	---	---	19322	1-1/4" Flangette bearing, 2 bolt w/flanges	x
30A	---	---	18853	1-1/4" Bearing, less flanges	x
31	19131	19131	19430	Upper sprocket, 14 tooth	1
32	19132	19132	19431	Lower sprocket, 25 tooth	1
33	19015	19133	19432	Roller chain w/connector	1

REF. NO.	PARTNO.			PARTSDESCRIPTION	NO. REQD
	6"	7"	8"		
33A	19134	19134	19433	Roller chain connector only	1
34	17157	17157	17158	Housing cover	1
35	19340	19340	19340	Axle w/spindles, nuts, cotter pins	1
36	19263	19263	19263	Spindle, weld-on	2
37	19354	19354	19354	Lower reach tube, left	1
38	19355	19355	19355	Lower reach tube, right	1
39	19367	19367	19367	Lower reach frame bundle, as shipped	1
40	19376	19376	19376	Cross member	1
41	19522	19522	19522	Upper lift tube, left or right, single	2
42	19532	19532	19532	Upper lift bundle, as shipped, ref.#40	1
43	19264	19264	19264	Seal	2
44	19265	19265	19265	Large bearing, Timken#LM67048 2	2
45	19266	19266	19266	Large cup, Timken#LM67010	2
46	19267	19267	19267	Hub w/cups	2
47	19268	19268	19268	Small cup, Timken#LM11910	2
48	19269	19269	19269	Small bearing, Timken#LM11949	2
49	19270	19270	19270	Slotted nut, 3/4" - 16	2
50	19272	19272	19272	Dust cup	2
51	19271	19271	19271	1/8" x 1-1/2" Cotter pin	2
52	19273	19273	19273	Wheel bolt, 1/2" - 20	8
53	19261	19261	19261	15" Wheel, 4 bolt	2
54	19467	19467	19467	Hub assembly, complete	2
55	19538	19538	19538	Bolt, 5/16" - 18 x 3/4", grade 2	x
56	---	---	19540	Bolt, 3/8" - 16 x 3/4", grade 2	x
57	19542	19542	19542	Bolt, 7/16" - 14 x 1", grade 5	x
58	19988	19988	19988	Bolt, 1/4" - 20 x 1", grade 2	x
59	---	---	19545	Bolt, 7/16" - 14 x 2-1/4", grade 8	x
60	19590	19590	19590	Bolt, 5/8" - 11 x 1-1/2", grade 5	x
61	19591	19591	19591	Bolt, 5/8" - 11 x 6-1/2", grade 5	x
62	19594	19594	19594	Washer locknut, 1/4" - 20	x
63	19595	19595	19595	Washer locknut, 5/16" - 18	x
64	19596	19596	19596	Washer locknut, 3/8" - 16	x
65	19598	19598	19598	Locknut, 7/16" - 14	x
66	19600	19600	19600	Locknut, 5/8" - 11	x
67	19274	19274	19274	Selftapping screw, #14 x 5/8"	x
68	19224	19224	19224	Woodruff key, 1/4" x 1"	x
69	17179	17179	17179	3/8" Plug	1
70	19225	19225	19225	Set screw, 3/8" - 16 x 3/8"	x
71	17383	17383	17383	Grip clip	1
72	19333	19333	19333	Cable clamp, 5/16"	5
73	17181	17181	17181	Clevis pin	1
74	17167	17167	17167	Gasket for 1" flangette bearing	x
75	---	---	17168	Gasket for 1-1/4" flangette bearing	x
76	---	---	27863	Upper cable attach bracket (WR80-51 Only)	1
---	17082	19681	19687	Basic carton	1

# WR80 - 56' Basic Auger



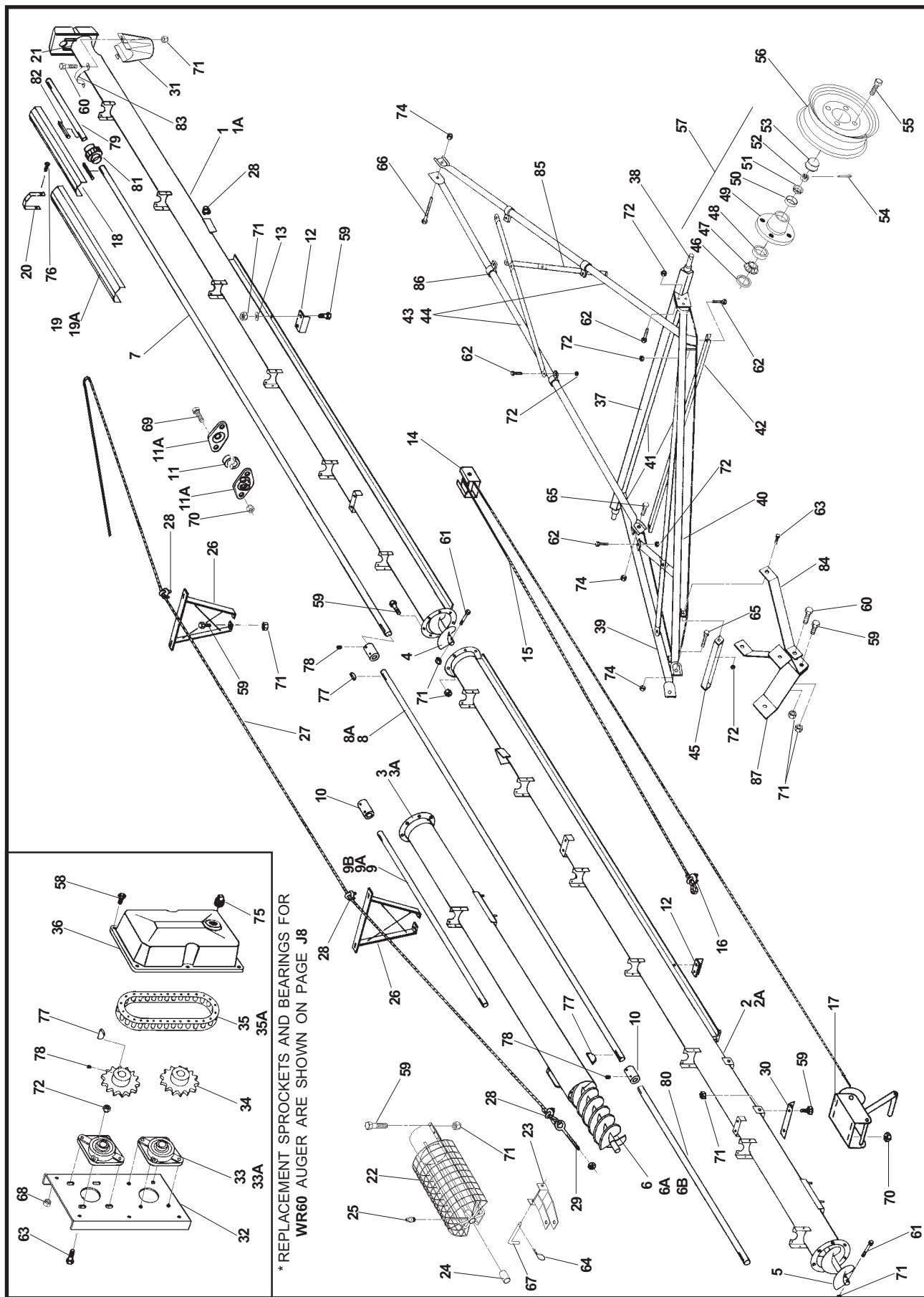


# WR80 - 56' Basic Auger

REF. NO.	PART NO.	PARTS DESCRIPTION	NO. REQD.
1	17199	Upper tube section w/driveshaft, housing	1
1A	17200	Upper tube bundle, as shipped	1
2	17201	Center tube section w/driveshaft	1
2A	17202	Center tube bundle, as shipped	1
3	19051	Lower tube section	1
3A	19080	Lower tube bundle, as shipped	1
4	19402	Upper flight section	1
5	19552	Center flight section	1
6	19393	Lower flight section	1
6A	19085	20" weld-on crimped intake flight	2
6B	17534	Slip on intake flight (1998 & later)	1
7	19808	Upper driveshaft, 21' 4" long	1
8	19994	Center driveshaft, 18' 9" long	1
9	19120	Lower driveshaft, 1' 3" long	1
10	19119	Driveshaft connector	3
11	18693	1-1/4" split hardwood bearing, set of 2 halves	13
11A	18695	1-1/4" bearing flanges, single, 2 bolt	26
12	18762	Angle track stop	2
13	17182	Track washer, 7/16"	2
14	17203	Roller track shoe	1
15	19252	1/4" Cable, 65' 6" long	1
16	19147	1/4" Cable clamp	2
17	19569	Winch, 15:1 ratio	1
18	19254	Driveshaft shield, 42" long	3
19	19255	Driveshaft shield, 48" long	11
20	19256	Shield tie-down strap	15
21	19773	Upper shield attach bracket	1
22	19398	Intake hitch w/shield, bushing, grease fitting	1
23	17123	Clevis, less pin	1
24	19149	1" Bushing	1
25	19222	Press-in grease fitting	1
26	19324	Truss support bracket, low	2
27	17165	5/16" Truss cable, 7' 6" long	1
28	19333	5/16" Cable clamp	1
29	19331	Eye bolt w/nut	2
30	18031	Truss attach angle	1
31	18028	Strap-on spout	1
32	17204	Upper drive housing	1
33	19567	1-1/4" Bearing, w/4 bolt flange	2
33A	18852	1-1/4" Bearing, less flange	2
34	19564	Sprocket, 80 B14	2
35	19565	Roller chain w/connector	1
35A	19323	Roller chain connector only	1
36	17159	Housing cover	1
37	19342	Axle w/spindles, nuts, cotter pins	1
38	19263	Spindle, weld-on	2
39	19358	Lower reach tube, left	1
40	19359	Lower reach tube, right	1
41	19369	Lower reach frame bdl. as shipped, incl. #87	1
42	19378	Cross member	1
43	19524	Upper lift tube left or right, single	2
44	19534	Upper lift bundle, as shipped, includes Ref. #42	1
45	18914	Short cross member, 2 bolt	1
46	19264	Seal	2
47	19265	Large bearing, Timken#LM67048	2
48	19266	Large cup, Timken#LM67010	2
49	19267	Hub w/cups	2
50	19268	Small cup, Timken#LM11910	2
51	19269	Small bearing, Timken#LM11949	2
52	19270	Slotted nut, 3/4" - 16	2
53	19272	Dust cap	2
54	19271	Cotter pin, 1/8" x 1-1/2"	2
55	19273	Wheel bolt, 1/2" - 20 x 1"	8
56	19261	Wheel, 15", 4 bolt	2
57	19467	Hubassembly, complete	2
58	19988	Bolt, 1/4" - 20 x 1", grade 2	X
59	19542	Bolt, 7/16" - 14 x 1", grade 5	X
60	19981	Bolt, 7/16" - 14 x 1-3/4", grade 5	X
61	19545	Bolt, 7/16" - 14 x 2-1/4", grade 8	X
62	19588	Bolt, 1/2" - 13 x 1-1/4", grade 5	X
63	19589	Bolt, 1/2" - 13 x 1-1/2", grade 2	X
64	19590	Bolt, 5/8" - 11 x 1-1/2", grade 5	X
65	19592	Bolt, 3/4" - 10 x 2", grade 5	X
66	19593	Bolt, 3/4" - 10 x 6-1/2", grade 5	X
67	17383	Gripclip	1
68	19594	Washer locknut, 1/4" - 20	X
69	19540	Bolt, 3/8" - 16 x 3/4", grade 2	X
70	19596	Washer-locknut, 3/8"-16	X
71	19598	Locknut, 7/16" - 14	X
72	19599	Locknut, 1/2" - 13	X
73	19600	Locknut, 5/8" - 11	X
74	19601	Locknut, 3/4" - 10	X
75	17181	Clevis pin	1
76	19274	Selftapping screw, #14 x 5/8", w/washerhead	X
77	19224	Woodruff key, 1/4" x 1"	X
78	19225	Set screw, 3/8" - 16 x 3/8"	X
79	17179	3/8" Plug	1
80	19460	Tube halfband	1
81	19807	Upper driveshaft, 4' 0" section	1
82	19419	Center driveshaft, 6' 4" section	1
83	19606	Square key, 1/4" x 1-1/2"	2
84	19771	Chain flex connector	1
85	18916	Stabilizer brace, single	2
86	19797	Tube clamp	4
87	19796	Single cross brace	4
88	18909	Stabilizer bracket, single	2
--	19688	Basic carton	1



# WR60, WR80 - 61' Basic Auger



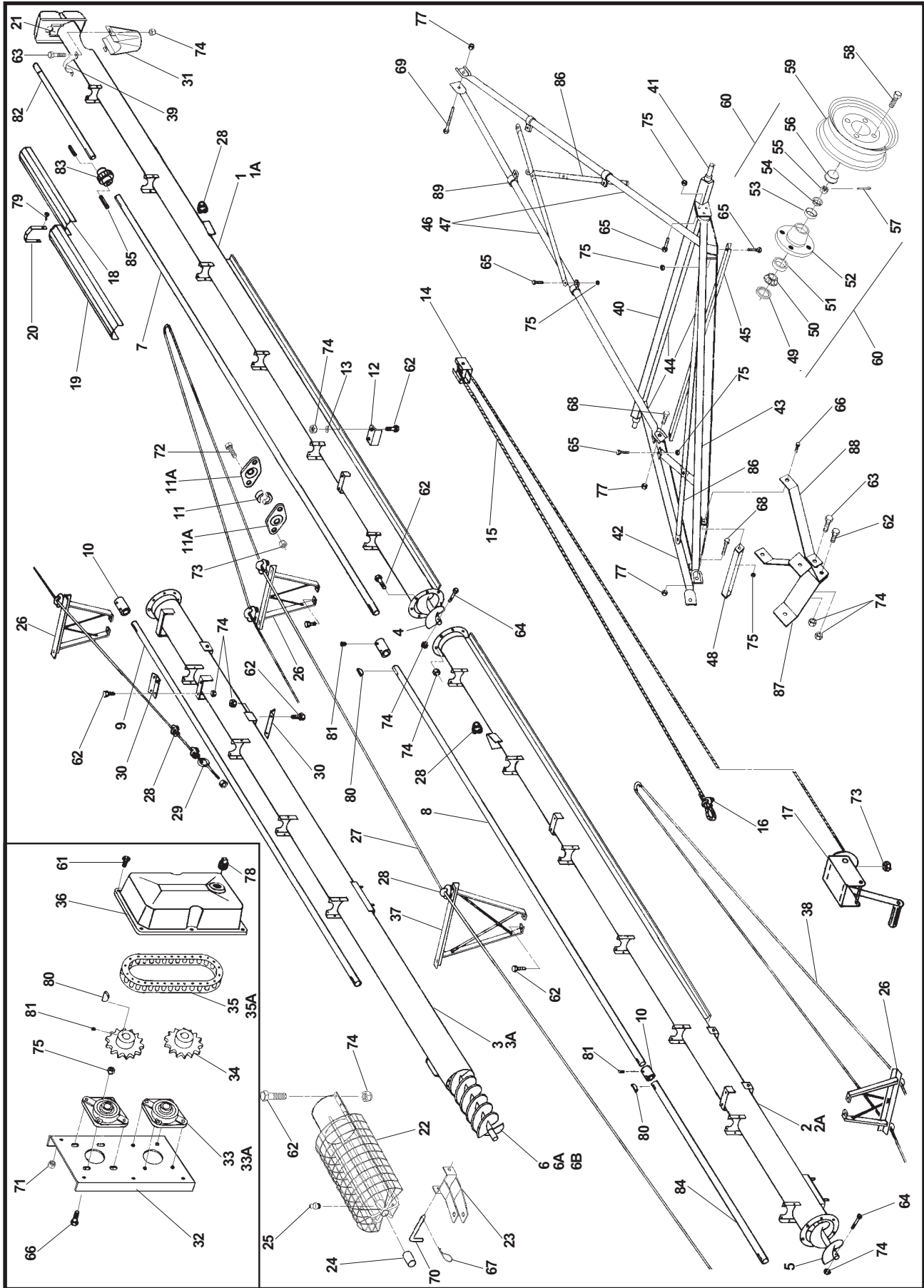
\* REPLACEMENT SPROCKETS AND BEARINGS FOR WR60 AUGER ARE SHOWN ON PAGE J8

# WR60, WR80 - 61' Basic Auger

REF. NO.	PARTNO.		PARTSDESCRIPTION	NO. REQ'D
	6"	8"		
38	19263	19263	Spindle, weld-on	2
39	19358	19358	Lower reach tube, left	1
40	19359	19359	Lower reach tube, right	1
41	19369	19369	Lower reach frame bundle as shipped, incl. #85	1
42	19378	19378	Cross member	1
43	19524	19524	Upper lift tube, left or right, single	2
44	19534	19534	Upper lift bundle, as shipped, (incl. Ref. #42)	1
45	19536	18914	Short cross member, 2 bolt	1
46	19264	19264	Seal	2
47	19265	19265	Large bearing, Timken#LM67048	2
48	19266	19266	Large cup, Timken#LM67010	2
49	19267	19267	Hub w/cups	2
50	19268	19268	Small cup, Timken#LM11910	2
51	19269	19269	Small bearing, Timken#LM11949	2
52	19270	19270	Slotted nut, 3/4" - 16	2
53	19272	19272	Dust cap	2
54	19271	19271	Cotter pin, 1/8" x 1-1/2"	2
55	19273	19273	Wheel bolt, 1/2" - 20 x 1"	8
56	19261	19261	Wheel, 15", 4 bolt	2
57	19467	19467	Hub assembly, complete	2
58	19988	19988	Bolt, 1/4" - 20 x 1", grade 2	x
59	19542	19542	Bolt, 7/16" - 14 x 1", grade 5	x
60	—	19981	Bolt, 7/16" - 14 x 1-3/4", grade 5	x
61	—	19545	Bolt, 7/16" - 14 x 2-1/4", grade 8	x
62	19588	19588	Bolt, 1/2" - 13 x 1-1/4", grade 5	x
63	—	19589	Bolt, 1/2" - 13 x 1-1/2", grade 2	x
64	17383	17383	Grip clip	1
65	19592	19592	Bolt, 3/4" - 10 x 2", grade 5	x
66	19593	19593	Bolt 3/4" - 10 x 6-1/2", grade 5	x
67	17181	17181	Clevis pin	1
68	19594	19594	Washer locknut, 1/4" - 20	x
69	—	19540	Bolt, 3/8" - 16 x 3/4", grade 2	x
70	—	19596	Washer locknut, 3/8" - 16	x
71	19598	19598	Locknut, 7/16" - 14	x
72	19599	19599	Locknut, 1/2" - 13	x
73	19600	19600	Locknut, 5/8" - 11	x
74	19601	19601	Locknut, 3/4" - 10	x
75	17179	17179	3/8" Plug	1
76	19274	19274	Selftapping screw, #14 x 5/8", with washerhead	x
77	19224	19224	Woodruff key, 1/4" x 1"	x
78	19225	19225	Set screw, 3/8" - 16 x 3/8"	x
79	—	19807	Upper driveshaft, 4' 0" section	1
80	—	19419	Center driveshaft, 6' 4" section	1
81	—	19771	Chain flex connector	1
82	—	19606	Square key, 1/4" x 1-1/2"	2
83	—	19460	Tube half band	1
84	18916	18916	Stabilizer brace, single	2
85	19796	19796	Single cross brace	4
86	19797	19797	Tube clamp	4
87	18909	18909	Stabilizer bracket, single	2
—	17092	19689	Basic carton	1

REF. NO.	PARTNO.		PARTSDESCRIPTION	NO. REQ'D
	6"	8"		
1	17191	17199	Upper tube section w/driveshaft, housing	1
1A	17192	17200	Upper tube bundle, as shipped	1
2	17205	17201	Center tube section w/driveshaft	1
2A	17206	17202	Center tube bundle, as shipped	1
3	17089	19052	Lower tube section	1
3A	17090	19081	Lower tube bundle, as shipped	1
4	19006	19402	Upper flight section	1
5	17091	19552	Center flight section	1
6	19011	19407	Lower flight section	1
6A	19083	19085	20" Weld-on crimped intake flight	2
6B	17532	17534	Slip on intake flight (1998 & later)	1
7	18700	19808	Upper driveshaft, 21' 1" section (WR60 - 24' 2")	1
8	—	19994	Center driveshaft, 18' 9" section	1
8A	17207	—	Center driveshaft, 19' 3" long	1
9	—	19419	Lower driveshaft, 6' 4" long	1
9A	17188	—	Lower driveshaft, 9' 2" long	1
9B	19628	—	Lower driveshaft, 4' 9" long	1
10	19119	19119	Driveshaft connector	3
11	18692	—	1" split hardwood bearing, set of 2 halves	14
11	—	18693	1-1/4" split hardwood bearing, set of 2 halves	14
11A	18694	—	1" bearing flange, single, 2 bolt	32
11A	—	18695	1-1/4" bearing flange, single, 2 bolt	28
12	18762	18762	Angle track stop	2
13	17182	17182	Track washer, 7/16"	2
14	18763	17203	Roller track shoe	1
15	19252	19252	1/4" Cable, 65' 6" long	1
16	19147	19147	1/4" Cable clamp	2
17	19152	19569	Winch	1
18	19254	19254	Driveshaft shield, 42" long	x
19	19255	19255	Driveshaft shield 48" long	x
19A	18829	—	Driveshaft shield, 60" long	x
20	19256	19256	Shield tie-down strap	x
21	19257	19773	Upper shield attach bracket	1
22	19019	19398	Intake hitch w/shield, bushing, grease fitting	1
23	17123	17123	Clevis, less pin	1
24	19149	19149	1" Bushing	1
25	19222	19222	Press-in grease fitting	1
26	19324	19324	Truss support bracket, low	2
27	18855	17165	5/16" Truss cable, 77' 6" long (WR60 - 98')	1
28	19333	19333	5/16" Cable clamp	7
29	19331	19331	Eye bolt with nut	2
30	19332	18031	Truss attach angle	1
31	—	18028	Strap-on spout	1
32	17170	17204	Upper drive housing	1
33	*	19567	1-1/4" Bearing, w/4 bolt flange	2
33A	*	18852	1-1/4" Bearing, less flange	2
34	*	19564	Sprocket, 80 B 14	2
35	19015	19565	Roller chain with connector	1
35A	19134	19323	Roller chain connector only	1
36	17157	17159	Housing cover	1
37	19342	19342	Axle w/spindles, nuts, cotter pins	1

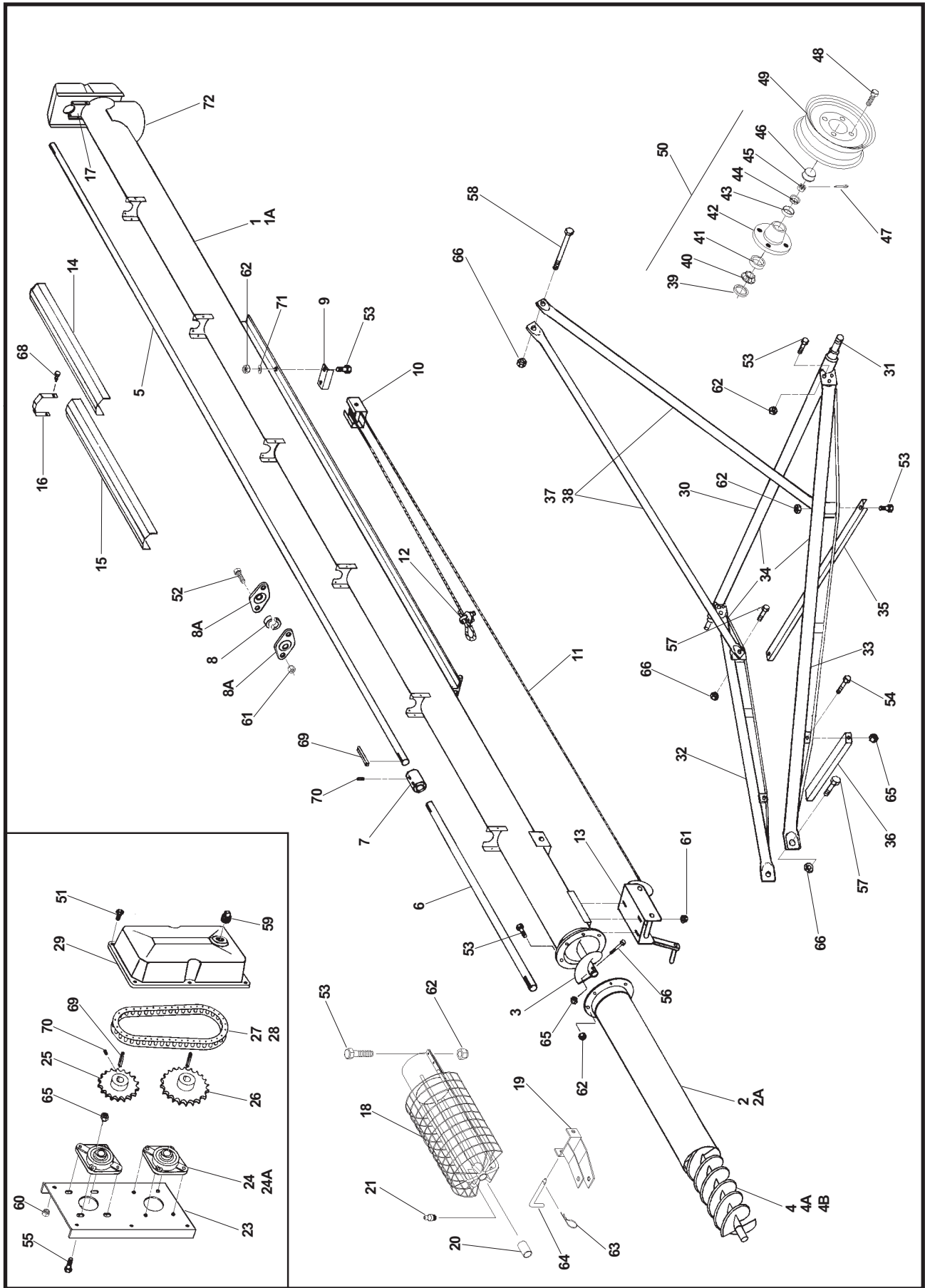
# WR80 - 71' Basic Auger



# WR80 - 71' Basic Auger

REF. NO.	PART NO.	PARTS DESCRIPTION	NO. REQD
1	17199	Upper tube section w/driveshaft, housing	1
1A	17200	Upper tube bundle, as shipped	1
2	17201	Center tube section w/driveshaft	1
2A	17202	Center tube bundle, as shipped	1
3	17221	Lower tube section	1
3A	17222	Lower tube bundle, as shipped	1
4	19402	Upper flight section	1
5	19552	Center flight section	1
6	19409	Lower flight section	1
6A	19085	20" weld-on crimped intake flight	2
6B	17534	Slip on intake flight (1998 & later)	1
7	19808	Upper driveshaft, 21" 1" section	1
8	19994	Center driveshaft, 18' 9" section	1
9	19242	Lower driveshaft, 16' 4" long	1
10	19119	Driveshaft connector	3
11	18693	1-1/4" split hardwood bearing, set of 2 halves	17
11A	18695	1-1/4" bearing flanges, single, 2 bolt	34
12	18762	Angle track stop	1
13	17182	Track washer, 7/16"	2
14	17203	Roller track shoe	1
15	19253	1/4" Cable, 74' long	1
16	19147	1/4" Cable clamp	2
17	19569	Winch, 15:1 ratio	1
18	19254	Driveshaft shield, 42" long	6
19	19255	Driveshaft shield, 48" long	12
20	19256	Shield tie-down strap	19
21	19773	Upper shield attach bracket	1
22	19398	Intake hitch w/shield, bushing, grease fitting	1
23	17123	Clevis, less pin	1
24	19149	1" Bushing	1
25	19222	Press-in grease fitting	1
26	19324	(Low) Truss support bracket	3
27	18855	5/16" Truss cable, 98' long	1
28	19333	5/16" Cable clamp	14
29	19331	Eye bolt w/nut	4
30	19332	Truss attach angle	2
31	18028	Strap-on spout	1
32	17204	Upper drive housing	1
33	19567	1-1/4" Bearing, w/4 bolt flange	2
33A	18852	1-1/4" Bearing, less flange	2
34	19564	Sprocket, 80 B14	2
35	19565	Roller chain w/connector	1
35A	19323	Roller chain connector only	1
36	17159	Housing cover	1
37	19325	(High) Truss support bracket	1
38	17042	5/16" Truss cable, 52' long	1
39	19460	Tube half band	1
40	19343	Axle w/spindles, nuts, cotter pins	1
41	19263	Spindle, weld-on	2
42	19360	Lower reach tube, left	1
43	19361	Lower reach tube, right	1
44	19370	Lower reach frame bundle, as shipped, incl. #86	1
45	19379	Cross member	1
46	19525	Upper lift tube, left or right, single	2
47	19535	Upper lift bundle, as shipped, includes Ref. #45	1
48	18914	Short cross member, 2 bolt	1
49	19264	Seal	2
50	19265	Large bearing, Timken#LM67048	2
51	19266	Large cup, Timken#LM67010	2
52	19267	Hub w/cups	2
53	19268	Small cup, Timken#LM11910	2
54	19269	Small bearing, Timken#LM11949	2
55	19270	Slotted nut, 3/4" - 16	2
56	19272	Dustcap	2
57	19271	Cotter pin, 1/8" x 1-1/2"	2
58	19273	Wheel bolt, 1/2" - 20 x 1"	8
59	19261	Wheel, 15", 4 bolt	2
60	19467	Hub assembly, complete	2
61	19988	Bolt, 1/4" - 20 x 1", grade 2	x
62	19542	Bolt, 7/16" - 14 x 1", grade 5	x
63	19981	Bolt, 7/16" - 14 x 1-3/4", grade 5	x
64	19545	Bolt, 7/16" - 14 x 2-1/4", grade 8	x
65	19588	Bolt, 1/2" - 13 x 1-1/4", grade 5	x
66	19589	Bolt, 1/2" - 13 x 1-1/2", grade 2	x
67	17383	Grip clip	1
68	19592	Bolt, 3/4" - 10 x 2", grade 5	x
69	19593	Bolt, 3/4" - 10 x 6-1/2", grade 5	x
70	17181	Clevis pin	1
71	19594	Washer locknut, 1/4" - 20	x
72	19540	Bolt, 3/8" - 16 x 3/4", grade 2	x
73	19596	Washer-locknut, 3/8" - 16	x
74	19598	Locknut, 7/16" - 14	x
75	19599	Locknut, 1/2" - 13	x
76	19600	Locknut, 5/8" - 11	x
77	19601	Locknut, 3/4" - 10	x
78	17179	3/8" Plug	1
79	19274	Selftapping screw, #14 x 5/8", w/washerhead	x
80	19224	Woodruff key, 1/4" x 1"	x
81	19225	Set screw, 3/8" - 16 x 3/8"	x
82	19807	Upper driveshaft, 4' 0" section	1
83	19771	Chain flex connector	1
84	19419	Center driveshaft, 6' 4" section	1
85	19606	Square key, 1/4" x 1-1/2"	2
86	19796	Single cross brace	4
87	18909	Stabilizer bracket, single	2
88	18915	Stabilizer brace, single	2
89	19797	Tube clamp	4
--	19690	Basic carton	1

# WR100 - 31' Basic Auger

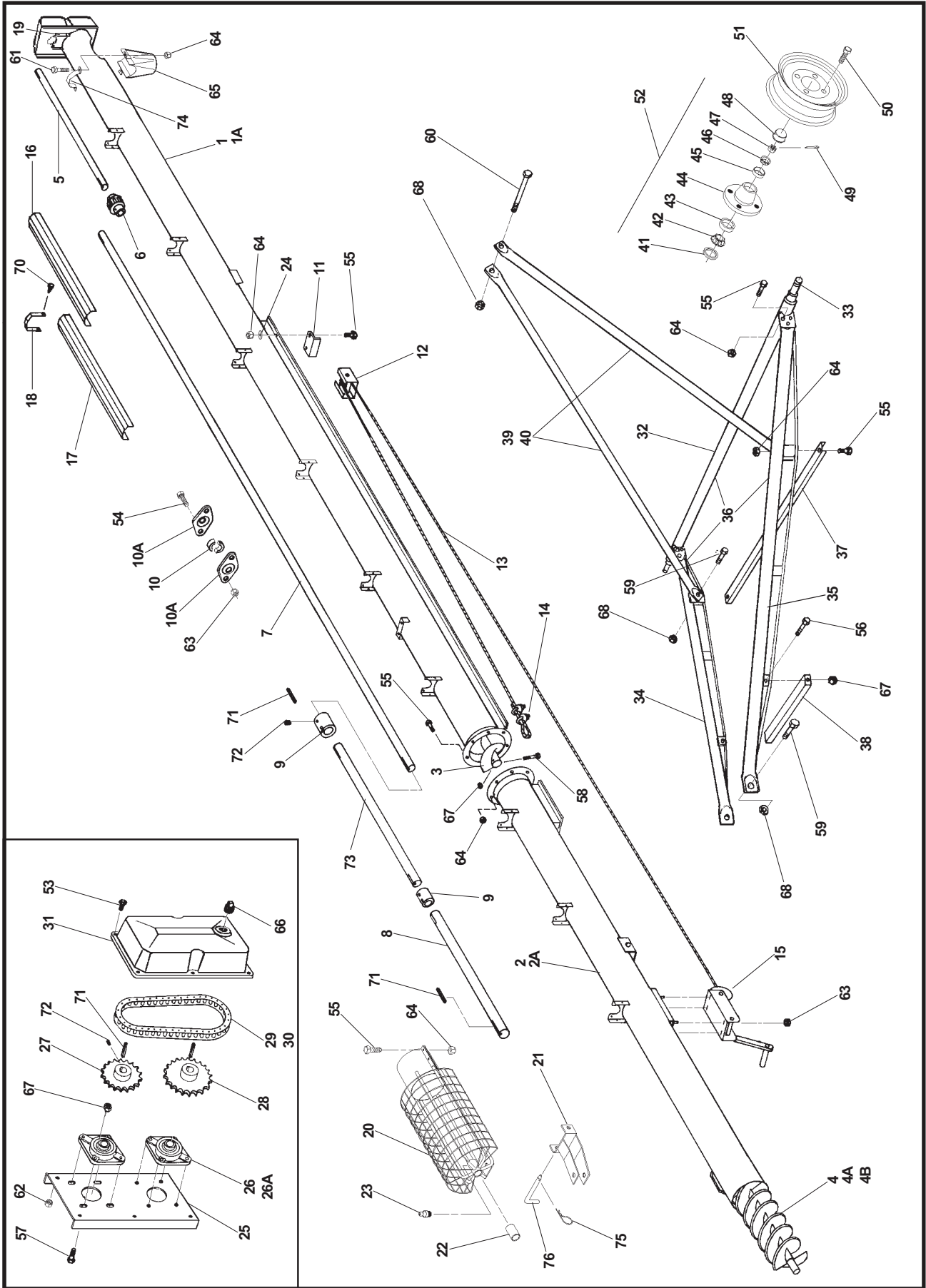


# WR100 - 31' Basic Auger

REF. NO.	PART NO.	PARTSDESCRIPTION	NO. REQD
1	19733	Upper tube section w/driveshaft, housing, track	1
1A	19734	Upper tube bundle, as shipped	1
2	19735	Lower tube section	1
2A	19736	Lower tube bundle, as shipped	1
3	19753	Upper flight section	1
4	19754	Lower flight section	1
4A	19760	30" Weld-on crimped intake flight	2
4B	17535	Slip on intake flight (1998 & later)	1
5	19761	Upper driveshaft, 1-1/4" x 21' 10" long	1
6	19940	Lower driveshaft, 1-1/4" x 3' 10" long	1
7	19770	Driveshaft connector, 1-1/4" bore	1
8	18693	1-1/4" split hardwood bearing, set of 2 halves	6
8A	18695	1-1/4" bearing flange, single, 2 bolt	12
9	18762	Angle track stop	1
10	18763	Roller track shoe	1
11	19246	1/4" Cable, 24' long	1
12	19147	1/4" Cable clamp	2
13	19152	Winch, 5:1 ratio	1
14	19254	Driveshaft shield, 42" long	2
15	19255	Driveshaft shield, 48" long	5
16	19256	Shield tie-down strap	8
17	19773	Upper shield attach bracket	1
18	19774	Intake hitch w/shield, bushing, grease fitting	1
19	17180	Clevis, less pin	1
20	19776	1-1/4" Bushing	1
21	19222	Press-in grease fitting	1
23	17208	Upper drive housing	1
24	19567	1-1/4" Bearing, w/4 bolt flange	2
24A	18852	1-1/4" Bearing, less flange	2
25	19779	Upper sprocket, 18 tooth	1
26	19780	Lower sprocket, 21 tooth	1
27	19781	Roller chain w/connector	1
28	19323	Roller chain connector only	1
29	17160	Housing cover	1
30	19336	Axle w/spindles, nuts, cotter pins	1
31	19262	Spindle, weld-on	2
32	19784	Lower reach tube, left	1
33	19785	Lower reach tube, right	1
34	19786	Lower reach frame bundle, as shipped	1
35	19372	Cross member	1
36	19794	Short cross member	1
37	19787	Upper lift tube, left or right, single	2
38	19788	Upper lift bundle, as shipped, includes ref. no. 35	1
39	19264	Seal	2
40	19265	Large bearing, Timken #LM 67048	2
41	19266	Large cup, Timken #LM67010	2
42	19267	Hub w/cups	2
43	19268	Small cup, Timken #LM 11910	2
44	19269	Small bearing, Timken #LM 11949	2
45	19270	Slotted nut, 3/4" - 16	2
46	19272	Dust cap	2
47	19271	Cotter pin, 1/8" x 1-1/2"	2
48	19273	Wheel bolt, 1/2" - 20 x 1"	8
49	19261	15" Wheel, 4 bolt	2
50	19467	Hub assembly, complete	2
51	19988	Bolt, 1/4" - 20 x 1", grade 2	x
52	19540	Bolt, 3/8" - 16 x 3/4", grade 2	x
53	19542	Bolt, 7/16" - 14 x 1", grade 5	x
54	19588	Bolt, 1/2" - 13 x 1-1/4", grade 5	x
55	19589	Bolt, 1/2" - 13 x 1-1/2", grade 2	x
56	19798	Bolt, 1/2" - 13 x 2-3/4", grade 8	x
57	19590	Bolt, 5/8" - 11 x 1-1/2", grade 5	x
58	19591	Bolt, 5/8" - 11 x 6-1/2", grade 5	x
59	17179	3/8" Plug	1
60	19594	Washer-locknut, 1/4" - 20	x
61	19596	Washer-locknut, 3/8" - 16	x
62	19598	Locknut, 7/16" - 14	x
63	17383	Grip clip	1
64	17181	Clevis pin	1
65	19599	Locknut, 1/2" - 13	x
66	19600	Locknut, 5/8" - 11	x
67	19601	Locknut, 3/4" - 10	x
68	19274	Selftapping screw, #14 x 5/8"	x
69	19606	Square key, 1/4" x 1-1/2"	x
70	19225	Set screw, 3/8" - 16 x 3/8"	x
71	17182	Track washer, 7/16"	2
72	17225	Weld-on spout	1
--	19893	Basic carton	1



# WR100 - 41' Basic Auger

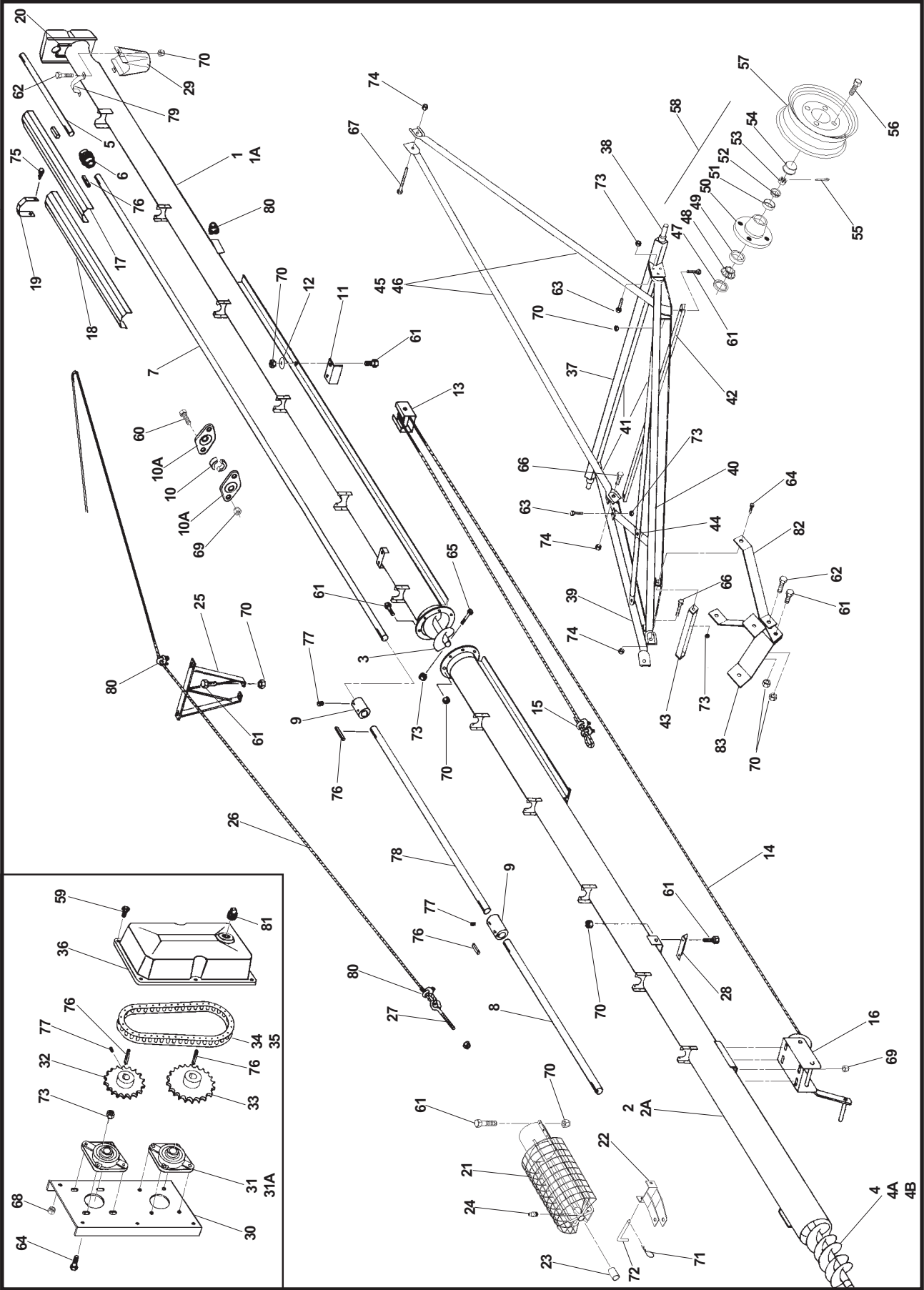




# WR100 - 41' Basic Auger

REF. NO.	PART NO.	PARTS DESCRIPTION	NO. REQ'D
1	17209	Upper tube section w/driveshaft, housing, track	1
1A	17210	Upper tube bundle, as shipped	1
2	17213	Lower tube section with driveshaft	1
2A	17214	Lower tube bundle, as shipped	1
3	19753	Upper flight section	1
4	19755	Lower flight section	1
4A	19760	30" Weld-on crimped intake flight	2
4B	17535	Slip on intake flight (1998 & later)	1
5	19763	Short upper driveshaft, 48" long	1
6	19771	Chain flex connector	1
7	19766	Upper driveshaft, 21' 1" long	1
8	19954	Lower driveshaft, 5' 2-1/2" long	1
9	19770	Driveshaft connector, 1-1/4" bore	2
10	18693	1-1/4" split hardwood bearing, set of 2 halves	9
10A	18695	1-1/4" bearing flange, single, 2 bolt	18
11	18762	Angle track stop	1
12	17203	Roller track shoe	1
13	18823	1/4" Cable, 38' long	1
14	19147	1/4" Cable clamp	2
15	19569	Winch, 15:1 ratio	1
16	19254	Driveshaft shield, 42" long	4
17	19255	Driveshaft shield, 48" long	6
18	19256	Shield tie-down strap	11
19	19773	Upper shield attach bracket	1
20	19774	Intake hitch w/shield, bushing, grease fitting	1
21	17180	Clevis, less pin	1
22	19776	1-1/4" Bushing	1
23	19222	Press-in grease fitting	1
24	17182	Track washer, 7/16"	2
25	17208	Upper drive housing	1
26	19567	1-1/4" Bearing, w/4 bolt flange	2
26A	18852	1-1/4" Bearing, less flange	2
27	19779	Upper sprocket, 18 tooth	1
28	19780	Lower sprocket, 21 tooth	1
29	19781	Roller chain w/connector	1
30	19323	Roller chain connector only	1
31	17160	Housing cover	1
32	19338	Axle w/spindles, nuts, cotter pins	1
33	19262	Spindle, weld-on	2
34	19350	Lower reach tube, left	1
35	19351	Lower reach tube, right	1
36	19365	Lower reach frame bundle, as shipped	1
37	19374	Cross member	1
38	19637	Short cross member	1
39	19383	Upper lift tube, left or right, single	2
40	19529	Upper lift bundle, as shipped, includes ref.no.37	1
41	19264	Seal	2
42	19265	Large bearing, Timken#LM67048	2
43	19266	Large cup, Timken#LM67010	2
44	19267	Hub w/cups	2
45	19268	Small cup, Timken#LM11910	2
46	19269	Small bearing, Timken#LM11949	2
47	19270	Slotted nut, 3/4" - 16	2
48	19272	Dust cap	2
49	19271	Cotter pin, 1/8" x 1-1/2"	2
50	19273	Wheel bolt, 1/2" - 20 x 1"	8
51	19261	15" Wheel, 4 bolt	2
52	19467	Hub assembly, complete	2
53	19988	Bolt, 1/4" - 20 x 1", grade 2	x
54	19540	Bolt, 3/8" - 16 x 3/4", grade 2	x
55	19542	Bolt, 7/16" - 14 x 1", grade 5	x
56	19588	Bolt, 1/2" - 13 x 1-1/4", grade 5	x
57	19589	Bolt, 1/2" - 13 x 1-1/2", grade 2	x
58	19798	Bolt, 1/2" - 13 x 2-3/4", grade 8	x
59	19590	Bolt, 5/8" - 11 x 1-1/2", grade 5	x
60	19591	Bolt, 5/8" - 11 x 6-1/2", grade 5	x
61	19981	Bolt, 7/16" - 14 x 1-3/4", grade 5	x
62	19594	Washer-locknut, 1/4" - 20	x
63	19596	Washer-locknut, 3/8" - 16	x
64	19598	Locknut, 7/16" - 14	x
65	18029	Spout, less half band	1
66	17179	3/8" Plug	1
67	19599	Locknut, 1/2" - 13	x
68	19600	Locknut, 5/8" - 11	x
69	19601	Locknut, 3/4" - 10	x
70	19274	Selftapping screw, #14 x 5/8", w/washerhead	x
71	19606	Square key, 1/4" x 1-1/2"	x
72	19225	Set screw, 3/8" - 16 x 3/8"	x
73	19941	Lower driveshaft, 6' 2-1/4" long	1
74	19801	Tube half band	1
75	17383	Gripclip	1
76	17181	Clevis pin	1
--	19726	Basic carton	1

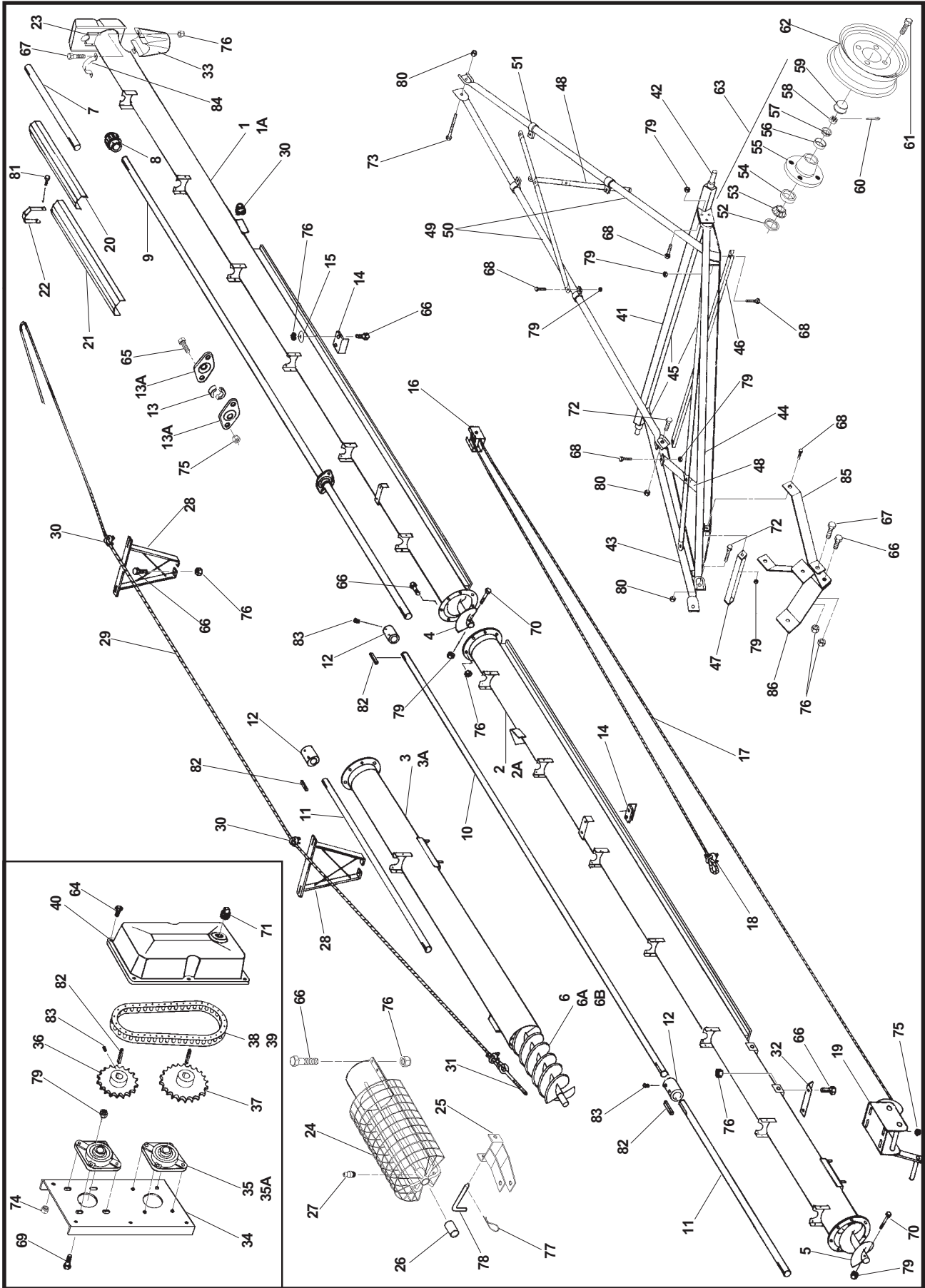
# WR100 - 51' Basic Auger



# WR100 - 51' Basic Auger

REF. NO.	PART NO.	PARTSDESCRIPTION	NO. REQD	REF. NO.	PART NO.	PARTSDESCRIPTION	NO. REQD
1	17209	Upper tube section w/driveshaft, housing, track	1	41	19791	Lower reach frame bundle, as shipped, incl. ref. no. 44	1
1A	17210	Upper tube bundle, as shipped	1	42	19376	Cross member	1
2	17215	Lower tube section, w/driveshaft	1	43	18914	Short cross member, 2 bolt	1
2A	17216	Lower tube bundle, as shipped	1	44	19796	Single cross brace	2
3	19753	Upper flight section	1	45	19792	Upper lift tube, left or right, single	2
4	19756	Lower flight section	1	46	19793	Upper lift bundle, as shipped, includes ref. no. 42	1
4A	19760	30" Weld-on crimped intake flight	2	47	19264	Seal	2
4B	17535	Slip on intake flight (1998 & later)	1	48	19265	Large bearing, Timken #LM 67048	2
5	19763	Short upper driveshaft, 48" long	1	49	19266	Large cup, Timken #LM 67010	2
6	19771	Chain flex connector	1	50	19267	Hub w/cups	2
7	19766	Upper driveshaft 21' 1" long	1	51	19268	Small cup, Timken #LM 11910	2
8	19953	Lower driveshaft, 9' 9" long	1	52	19269	Small bearing, Timken #LM 11949	2
9	19770	Driveshaft connector, 1-1/4" bore	2	53	19270	Slotted nut, 3/4" - 16	2
10	18693	1-1/4" Split hardwood bearing, set of 2 halves	11	54	19272	Dust cap	2
10A	18695	1-1/4" Bearing flange, single, 2 bolt	22	55	19271	Cotter pin, 1/8" x 1-1/2"	2
11	18762	Angle track stop	1	56	19273	Wheel bolt, 1/2" - 20 x 1"	8
12	17182	Track washer, 7/16"	2	57	19261	15" Wheel, 4 bolt	2
13	17203	Roller track shoe	1	58	19467	Hub assembly, complete	2
14	18824	1/4" Cable, 49' long	1	59	19988	Bolt, 1/4" - 20 x 1", grade 2	x
15	19147	1/4" Cable clamp	2	60	19540	Bolt, 3/8" - 16 x 3/4", grade 2	x
16	19569	Winch, 15:1 ratio	1	61	19542	Bolt, 7/16" - 14 x 1", grade 5	x
17	19254	Driveshaft shield, 42" long	1	62	19981	Bolt, 7/16" - 14 x 1-3/4", grade 5	x
18	19255	Driveshaft shield, 48" long	11	63	19588	Bolt, 1/2" - 13 x 1-1/4", grade 5	x
19	19256	Shield tie-down strap	13	64	19589	Bolt, 1/2" - 13 x 1-1/2", grade 2	x
20	19773	Upper shield attach bracket	1	65	19798	Bolt, 1/2" - 13 x 2-3/4", grade 8	x
21	19774	Intake hitch w/shield, bushing, grease fitting	1	66	19592	Bolt, 3/4" - 10 x 2", grade 5	x
22	17180	Clevis, less pin	1	67	19593	Bolt, 3/4" - 10 x 6-1/2", grade 5	x
23	19776	1-1/4" Bushing	1	68	19594	Washer-locknut, 1/4" - 20	x
24	19222	Press-in grease fitting	1	69	19596	Washer-locknut, 3/8" - 16	x
25	19324	Truss support bracket	1	70	19598	Locknut, 7/16" - 14	x
26	17166	5/16" Truss cable, 61' 6" long	1	71	17383	Gripclip	1
27	19331	Eye bolt w/nut	2	72	17181	Clevis pin	1
28	18031	Truss attach angle	1	73	19599	Locknut, 1/2" - 13	x
29	18029	Spout, less half band	1	74	19601	Locknut, 3/4" - 10	x
30	17208	Upper drive housing	1	75	19274	Selftapping screw, #14 x 5/8", w/washerhead	x
31	19567	1-1/4" Bearing, w/4 bolt flange	2	76	19606	Square key, 1/4" x 1-1/2"	x
31A	18852	1-1/4" Bearing, less flange	2	77	19225	Set screw, 3/8" - 16 x 3/8"	x
32	19779	Upper sprocket, 18 tooth	1	78	19942	Lower driveshaft, 1' 8" section	1
33	19780	Lower sprocket, 21 tooth	1	79	19801	Tube half band	1
34	19781	Roller chain w/connector	1	80	19333	5/16" Cable clamp	5
35	19323	Roller chain connector only	1	81	17179	3/8" Plug	1
36	17160	Housing cover	1	82	18908	Stabilizer brace, single	2
37	18090	Axle w/spindles, nuts, cotter pins	1	83	18909	Stabilizer bracket, single	2
38	19263	Spindle, weld-on	2	--	17217	WR100 x 51 - 71 Basic #1 carton	1
39	19789	Lower reach tube, left	1	--	17218	WR100 x 51 Basic #2 carton	1
40	19790	Lower reach tube, right	1				

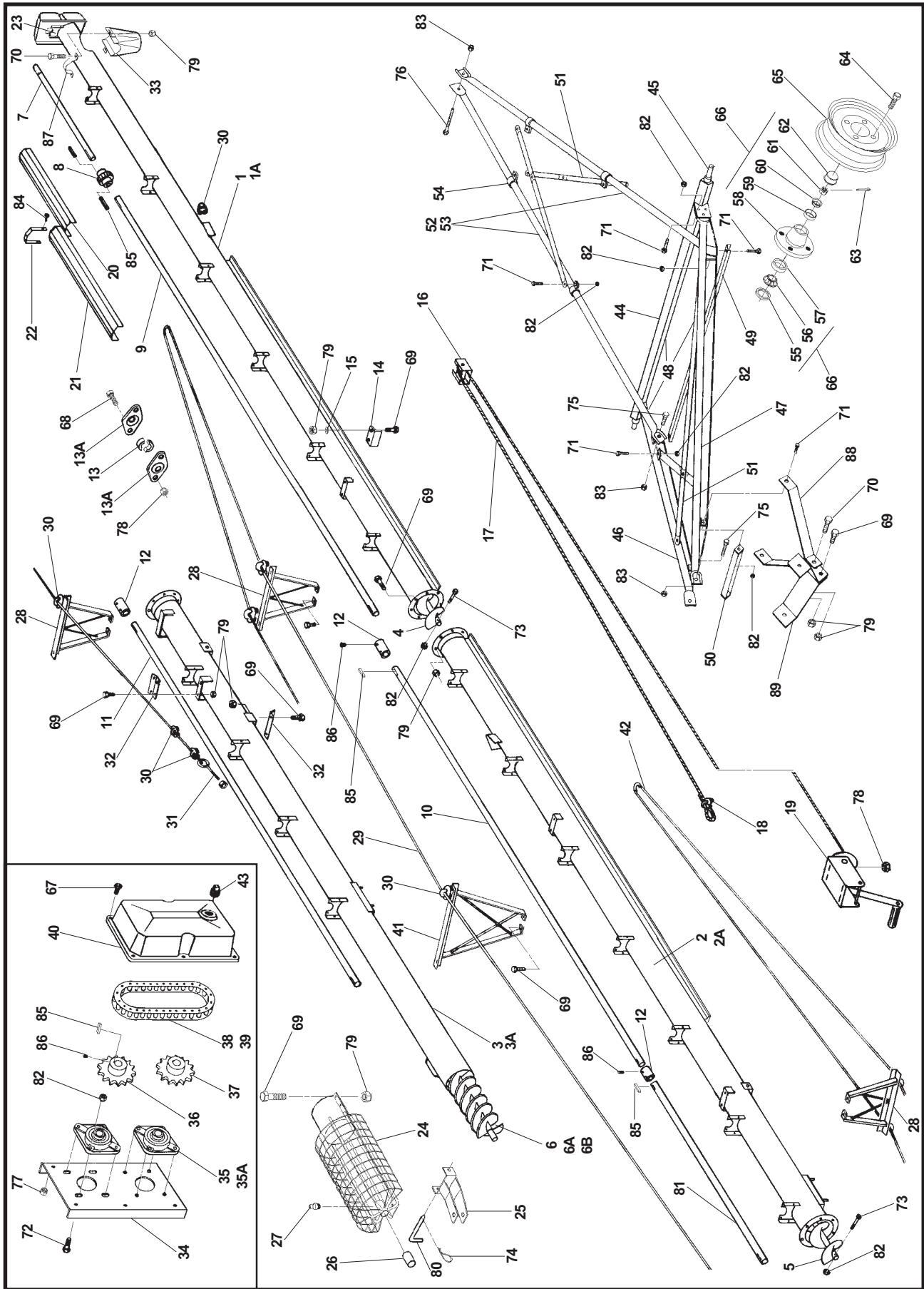
# WR100 - 61' Basic Auger



# WR100 - 61' Basic Auger

REF. NO.	PART NO.	PARTSDESCRIPTION	NO. REQ'D
1	17209	Upper tube section w/driveshaft, housing, track	1
1A	17210	Upper tube bundle, as shipped	1
2	17211	Center tube section, w/driveshaft	1
2A	17212	Center tube bundle, as shipped	1
3	19749	Lower tube section	1
3A	19750	Lower tube bundle, as shipped	1
4	19753	Upper flight section	1
5	19757	Center flight section	1
6	19758	Lower flight section	1
6A	19760	30" Weld-on crimped intake flight	2
6B	17535	Slip on intake flight (1998 & later)	1
7	19763	Short upper driveshaft, 48" long	1
8	19771	Chain flex connector	1
9	19766	Upper driveshaft, 21' 1" long	1
10	19943	Center driveshaft, 18' 9" long	1
11	19768	Driveshaft, 6' 4" long, lower & center	2
12	19770	Driveshaft connector, 1- 1/4" bore	3
13	18693	1-1/4" split hardwood bearing, set of 2 halves	14
13A	18695	1-1/4" bearing flange, single, 2 bolt	28
14	18762	Angle track stop	2
15	17182	Track washer, 7/16"	2
16	17203	Roller track shoe	1
17	19252	1/4" Cable, 65' 6" long	1
18	19147	1/4" Cable clamp	2
19	19569	Winch, 15:1 ratio	1
20	19254	Driveshaft shield, 42" long	3
21	19255	Driveshaft shield, 48" long	12
22	19256	Shield tie-down strap	16
23	19773	Upper shield attach bracket	1
24	19774	Intake hitch w/shield, bushing, grease fitting	1
25	17180	Clevis, less pin	1
26	19776	1-1/4" Bushing	1
27	19222	Press-in grease fitting	1
28	19324	Truss support bracket	2
29	17165	5/16" Truss cable, 77' 6" long	1
30	19333	5/16" Cable clamp	7
31	19331	Eye bolt w/nut	2
32	19332	Truss attach angle	1
33	18029	Spout, less half band	1
34	17208	Upper drive housing	1
35	19567	1-1/4" Bearing, w/4 bolt flange	2
35A	18852	1-1/4" Bearing, less flange	2
36	19779	Upper sprocket, 18 tooth	1
37	19780	Lower sprocket, 21 tooth	1
38	19781	Roller chain w/connector	1
39	19323	Roller chain connector only	1
40	17160	Housing cover	1
41	19342	Axle w/spindles, nuts, cotter pins	1
42	19263	Spindle, weld-on	2
43	19358	Lower reach tube, left	1
44	19359	Lower reach tube, right	1
45	19369	Lower reach frame bundle, as shipped, incl. #48	1
46	19378	Cross member	1
47	18914	2 Bolt cross member	1
48	19796	Single cross brace	4
49	19524	Upper lift tube, left or right, single	2
50	19534	Upper lift bundle, as shipped, includes Ref. #46	1
51	19797	Tube clamp	4
52	19264	Seal	2
53	19265	Large bearing, Timken#LM67048	2
54	19266	Large cup, Timken#LM67010	2
55	19267	Hub w/cups	2
56	19268	Small cup, Timken#LM11910	2
57	19269	Small bearing, Timken#LM11949	2
58	19270	Slotted nut, 3/4" - 16	2
59	19272	Dustcap	2
60	19271	1/8" x 1-1/2" Cotter pin	2
61	19273	Wheel bolt, 1/2" - 20 x 1"	8
62	19261	15" Wheel, 4 bolt	2
63	19467	Hub assembly, complete	2
64	19988	Bolt, 1/4" - 20 x 1", grade 2	x
65	19540	Bolt, 3/8" - 16 x 3/4", grade 2	x
66	19542	Bolt, 7/16" - 14 x 1", grade 5	x
67	19981	Bolt, 7/16" - 14 x 1-3/4", grade 5	x
68	19588	Bolt, 1/2" - 13 x 1-1/4", grade 5	x
69	19589	Bolt, 1/2" - 13 x 1-1/2", grade 2	x
70	19798	Bolt, 1/2" - 13 x 2-3/4", grade 8	x
71	17179	3/8" Plug	1
72	19592	Bolt, 3/4" - 10 x 2", grade 5	x
73	19593	Bolt, 3/4" - 10 x 6-1/2", grade 5	x
74	19594	Washer-locknut, 1/4" - 20	x
75	19596	Washer-locknut, 3/8" - 16	x
76	19598	Locknut, 7/16" - 14	x
77	17383	Gripclip	1
78	17181	Clevis pin	1
79	19599	Locknut, 1/2" - 13	x
80	19601	Locknut, 3/4" - 10	x
81	19274	Selfflapping screw, #14 x 5/8", w/washerhead	x
82	19606	Square key, 1/4" x 1-1/2"	x
83	19225	Set screw, 3/8" - 16 x 3/8"	x
84	19801	Tube half band	1
85	18916	Stabilizer brace, single	2
86	18909	Stabilizer bracket, single	2
--	17217	WR100 x 51 - 71 Basic #1 carton	1
--	17219	WR100 x 61 Basic #2 carton	1

# WR100 - 71' Basic Auger





# WR100 - 71' Basic Auger

REF. NO.	PART NO.	PARTSDESCRIPTION	NO. REQ'D
1	17209	Upper tube section w/driveshaft, housing, track	1
1A	17210	Upper tube section, as shipped	1
2	17211	Center tube section w/driveshaft	1
2A	17212	Center tube bundle, as shipped	1
3	17223	Lower tube section with driveshaft	1
3A	17224	Lower tube bundle, as shipped	1
4	19753	Upper flight section	1
5	19757	Center flight section	1
6	19759	Lower flight section	1
6A	19760	30" Weld-on crimped intake flight	2
6B	17535	Slip on intake flight (1998 & later)	1
7	19763	Short upper driveshaft, 48" long	1
8	19771	Chain flex connector	1
9	19766	Upper driveshaft, 21' 1" long	1
10	19943	Center driveshaft, 18' 9" long	1
11	19769	Lower driveshaft, 16' 4" long	1
12	19770	Driveshaft connector, 1-1/4" bore	3
13	18693	1-1/4" split hardwood bearing, set of 2 halves	17
13A	18695	1-1/4" bearing flange, single, 2 bolt	34
14	18762	Angle track stop	1
15	17182	Track washer, 7/16"	2
16	17203	Roller track shoe	1
17	19253	1/4" Cable, 74' long	1
18	19147	1/4" Cable clamp	2
19	19569	Winch, 15:1 ratio	1
20	19254	Driveshaft shield, 42" long	6
21	19255	Driveshaft shield, 48" long	12
22	19256	Shield tie-down strap	19
23	19773	Upper shield attach bracket	1
24	19774	Intake hitch w/shield, bushing, grease fitting	1
25	17180	Clevis, less pin	1
26	19776	1-1/4" Bushing	1
27	19222	Press-in grease fitting	1
28	19324	Truss support bracket, low	3
29	18855	5/16" Truss cable, 98' long	1
30	19333	5/16" Cable clamp	14
31	19331	Eye bolt w/nut	4
32	19332	Truss attach angle	2
33	18029	Spout, less half band	1
34	17208	Upper drive housing	1
35	19567	1-1/4" Bearing, w/4 bolt flange	2
35A	18852	1-1/4" Bearing, less flange	2
36	19779	Upper sprocket, 18 tooth	1
37	19780	Lower sprocket, 21 tooth	1
38	19781	Roller chain w/connector	1
39	19323	Roller chain connector only	1
40	17160	Housing cover	1
41	19325	Truss support bracket, high	1
42	17042	5/16" Truss cable, 52' long	1
43	17179	3/8" Plug	1
44	19343	Axle w/spindle, nuts, cotter pins	1

REF. NO.	PART NO.	PARTSDESCRIPTION	NO. REQ'D
45	19263	Spindle, weld-on	2
46	19360	Lower reach tube, left	1
47	19361	Lower reach tube, right	1
48	19370	Lower reach frame bundle as shipped, incl. #51	1
49	19379	Cross member	1
50	18914	Short cross member 2 bolt	1
51	19796	Single cross brace	4
52	19525	Upper lift tube, left or right, single	2
53	19535	Upper lift bundle, as shipped, includes Ref. #49	1
54	19797	Tube clamp, less bolt	4
55	19264	Seal	2
56	19265	Large bearing, Timken #LM 67048	2
57	19266	Large cup, Timken #LM 67010	2
58	19267	Hub w/cups	2
59	19268	Small cup, Timken #LM 11910	2
60	19269	Small bearing, Timken #LM 11949	2
61	19270	Slotted nut, 3/4" - 16	2
62	19272	Dust cap	2
63	19271	1/8" x 1/2" Cotter pin	2
64	19273	Wheel bolt, 1/2" - 20	8
65	19261	15" Wheel, 4 bolt	2
66	19467	Hub assembly, complete	2
67	19988	Bolt, 1/4" - 20 x 1", grade 2	x
68	19540	Bolt, 3/8" - 16 x 3/4", grade 2	x
69	19542	Bolt, 7/16" - 14 x 1", grade 5	x
70	19981	Bolt, 7/16" - 14 x 1-3/4", grade 5	x
71	19588	Bolt, 1/2" - 13 x 1-1/4", grade 5	x
72	19589	Bolt, 1/2" - 13 x 1-1/2", grade 2	x
73	19798	Bolt, 1/2" - 13 x 2-3/4", grade 8	x
74	17383	Grip clip	1
75	19592	Bolt, 3/4" - 10 x 2", grade 5	x
76	19593	Bolt, 3/4" - 10 x 6-1/2", grade 5	x
77	19594	Washer-locknut, 1/4" - 20	x
78	19596	Washer-locknut, 3/8" - 16	x
79	19598	Locknut, 7/16" - 14	x
80	17181	Clevis pin	1
81	19768	Center driveshaft, 6' 4" long	1
82	19599	Locknut, 1/2" - 13	x
83	19601	Locknut, 3/4" - 10	x
84	19274	Selftapping screw, #14 x 5/8", w/washerhead	x
85	19606	Square Key, 1/4" x 1-1/2"	x
86	19225	Set screw, 3/8" - 16 x 3/8"	x
87	19801	Tube halfband	1
88	18915	Stabilizer brace, single	2
89	18909	Stabilizer bracket, single	2
--	17217	WR100 x 51 - 71 Basic #1 carton	1
--	17220	WR100 - 71 Basic #2 carton	1