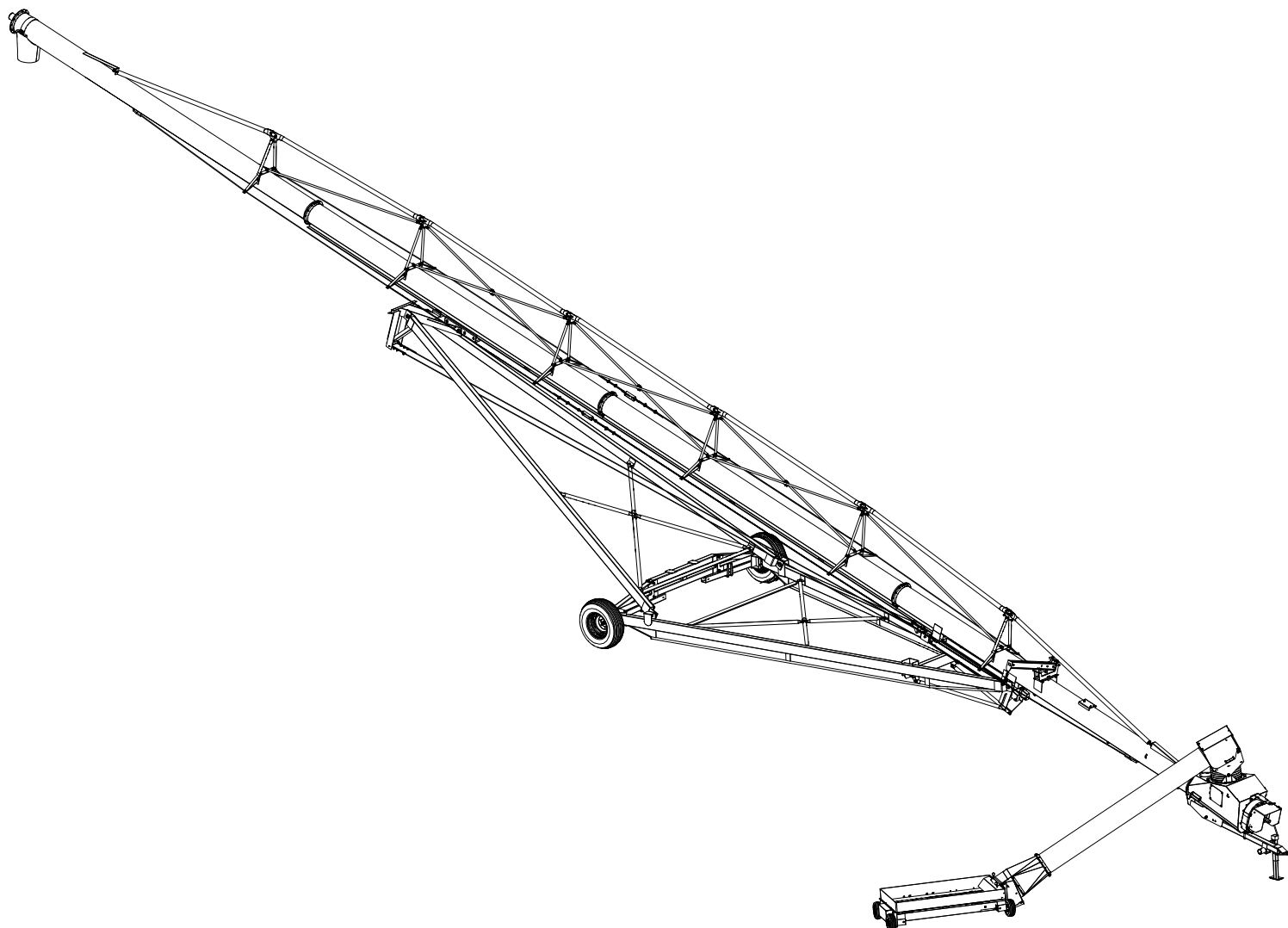




# MKX160 SERIES AUGER

# PARTS MANUAL



Revised: 20/07/2017

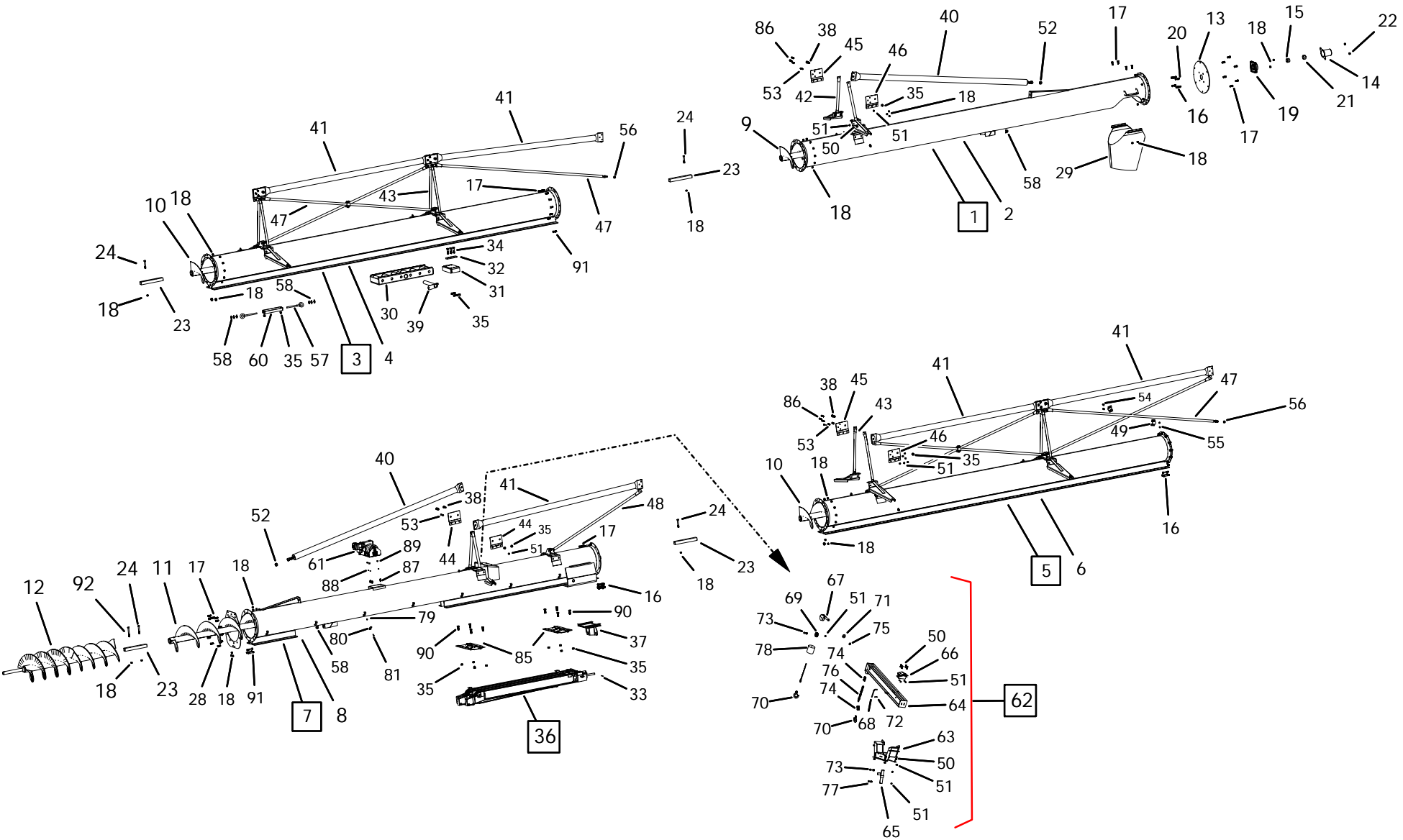


**This page intentionally left blank.**

# TABLE OF CONTENTS

DESCRIPTION	PAGE
MKX160-85 TUBE & TRUSS COMPONENTS	4
MKX160-105 TUBE & TRUSS COMPONENTS	8
MKX160-125 TUBE & TRUSS COMPONENTS	12
MKX160-85 FRAME COMPONENTS	16
MKX160-105 FRAME COMPONENTS	20
MKX160-125 FRAME COMPONENTS	24
MKX160-85 HYDRAULIC HOSE COMPONENTS	28
MKX160-105 HYDRAULIC HOSE COMPONENTS	30
MKX160-125 HYDRAULIC HOSE COMPONENTS	32
MKX160 HOPPER COMPONENTS	34
MKX160 BOOT COMPONENTS	38
MKX160 SPEED REDUCER COMPONENTS	42
MKX160 SWING TUBE COMPONENTS	44
MKX160 ELECTRIC POWER SWING COMPONENTS	46
ELECTRIC LANDING GEAR POWER SWING - 16"	48
MKX160 UPPER GEARBOX (20556) COMPONENTS	50
MKX160 LOWER GEARBOX (20557) COMPONENTS	51
MKX160 HYDRAULIC WINCH COMPONENTS	52
MKX160 PTO SHAFT COMPONENTS	54
WORK LIGHT KIT (MKX160-85, 105 & 125)	56

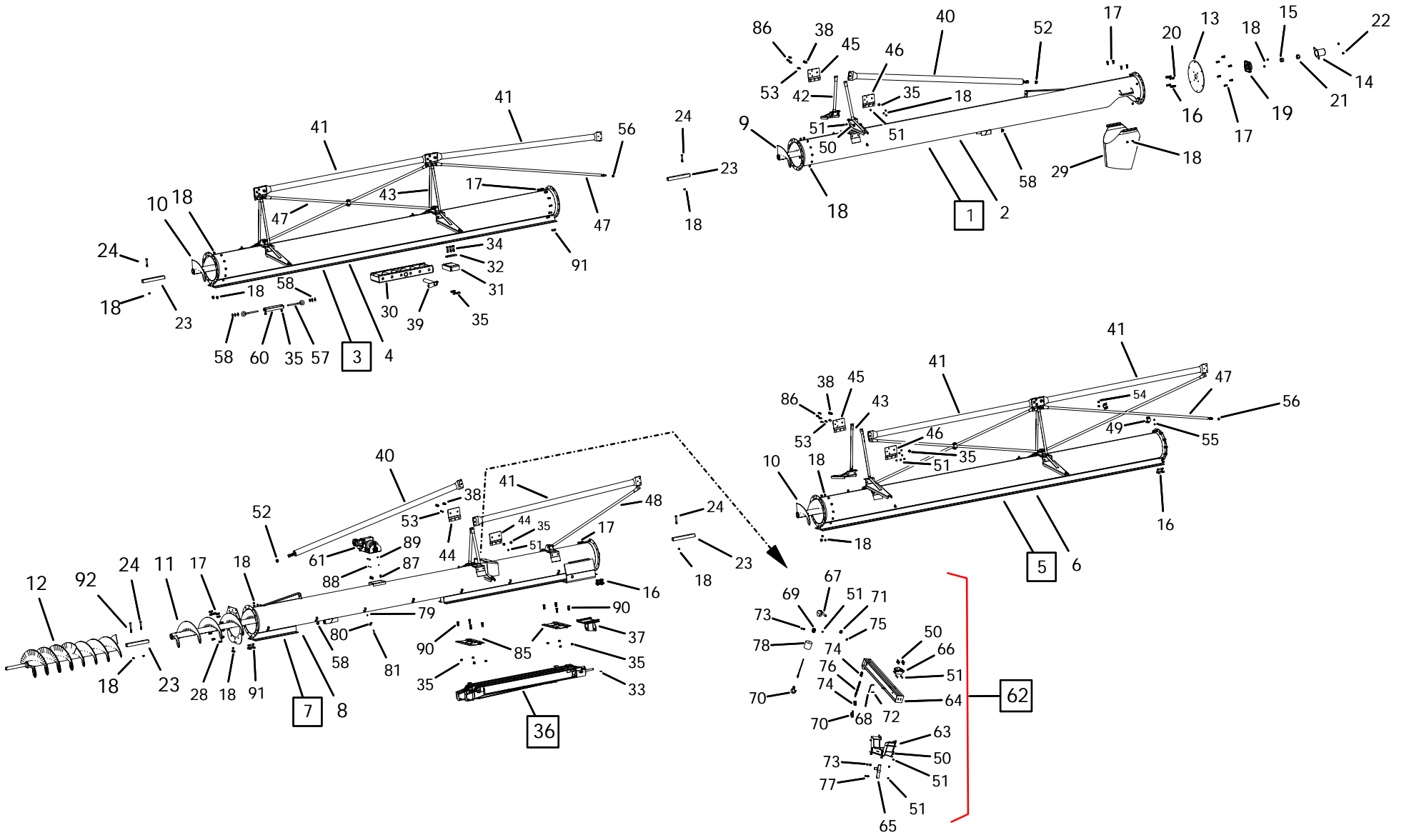
MKX160-85 TUBE & TRUSS COMPONENTS



## MKX160-85 TUBE & TRUSS COMPONENTS

ITEM	PART NO.	DESCRIPTION
1	10-20719	MKX160-85/105/125 UPPER TUBE BDL
2	10-20634	MKX160 UPPER TUBE ONLY
3	10-20718	MKX160 UPPER MIDDLE TUBE BDL
4	10-20627	MKX160 UPPER MIDDLE TUBE ONLY
5	10-20717	MKX160 MIDDLE TUBE BUNDLE
6	10-20623	MKX160 MIDDLE TUBE ONLY
7	10-22451	MKX160-85 LOWER TUBE BUNDLE (2016)
8	10-20711	MKX160-85 LOWER TUBE ONLY
9	10-20648	MKX160 UPPER FLIGHT
10	10-20618	MKX160 MIDDLE FLIGHT
11	10-22388	MKX160 LOWER FLIGHT (2016)
12	10-22387	MKX160 BOOT FLIGHT (2016)
13	10-20632	MKX160 END PLATE
14	10-20660	MKX160 THRUST ADJUSTER COVER
15	10-21171	BUSHING, THRUST ADJUSTER
16	10-17745	5/8" X 3" NC BOLT GR8 PLTD
17	10-19590	5/8" X 1-1/2" NC BOLT GR 8 PLTD
18	10-19600	5/8" NC NYLON LOCKNUT PLTD
19	10-20015	FHF211-32G-AP BEARING
20	10-27484	5/8" X 2-1/4" NC BOLT GR 8 PLTD
21	10-27587	1-1/2" NF HEX NUT GR 5 PLAIN
22	10-27588	5/8" NC SERRATED FLANGE NUT PLTD
23	10-20635	MKX160 SQUARE SHAFT
24	10-18545	5/8" X 4-1/2" NC BOLT GR 8 PLTD
28	10-19991	5/8" X 2" NC BOLT GR 8 PLTD
29	10-20631	SPOUT, 16 INCH ROLLED
30	10-20647	MKX160 TRACKSHOE
31	10-20670	MKX160 TRACKSTOP
32	10-21037	MKX160 TRACKSTOP SPACER PLATE
33	10-18079	5/16" X 2" ROLL PIN
34	10-19978	3/4" X 3" NC BOLT GR 8 PLTD
35	10-19601	3/4" NC NYLON LOCKNUT PLTD
36	10-20733	MKX160-85 HYD CYLINDER BDL
37	10-20707	MKX160-85 RAM GUIDE
38	10-20774	3/4" X 2-1/2" BOLT GR8 PLTD
39	10-20656	MKX160 TRACKSHOE PIN
40	10-20722	MKX160 LONG ADJUST TUBE
41	10-20723	MKX160 TRUSS TUBE
42	10-20659	MKX160 LOW TRUSS TOWER
43	10-20658	MKX160 HIGH TRUSS TOWER
44	10-20737	MKX160 END JOINER PLATE
45	10-20720	MKX160 JOINER PLATE 1 (LEFT)
46	10-20721	MKX160 JOINER PLATE 2 (RIGHT)
47	10-20725	MKX160 TRUSS CROSS BRACE, LONG
48	10-20778	MKX160 SHORT CROSS BRACE
49	10-17655	MK111 CROSS BRACE CLAMP
50	10-19589	1/2" X 1-1/2" NC BOLT GR 8 PLTD
51	10-19599	1/2" NC NYLON LOCKNUT GR 2 PLTD
52	10-20080	1" NC HEX NUT PLTD
53	10-19974	1/2" X 1-3/4" NC BOLT GR 8 PLTD

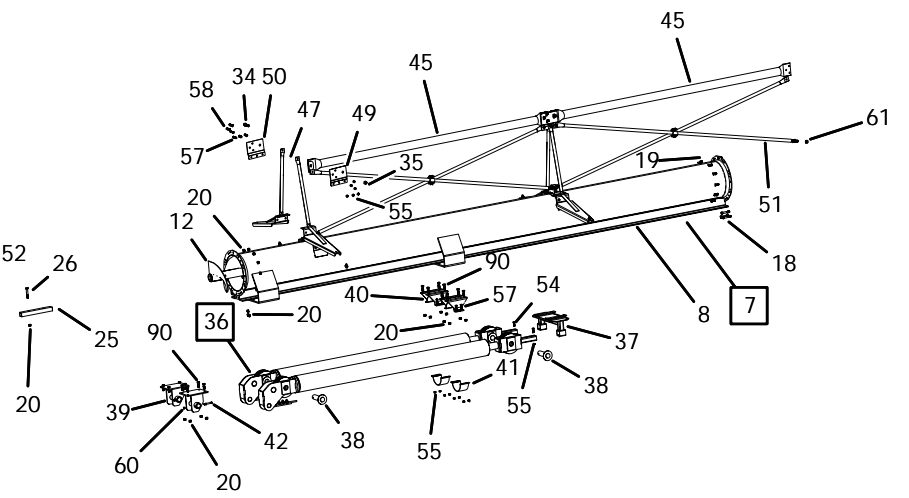
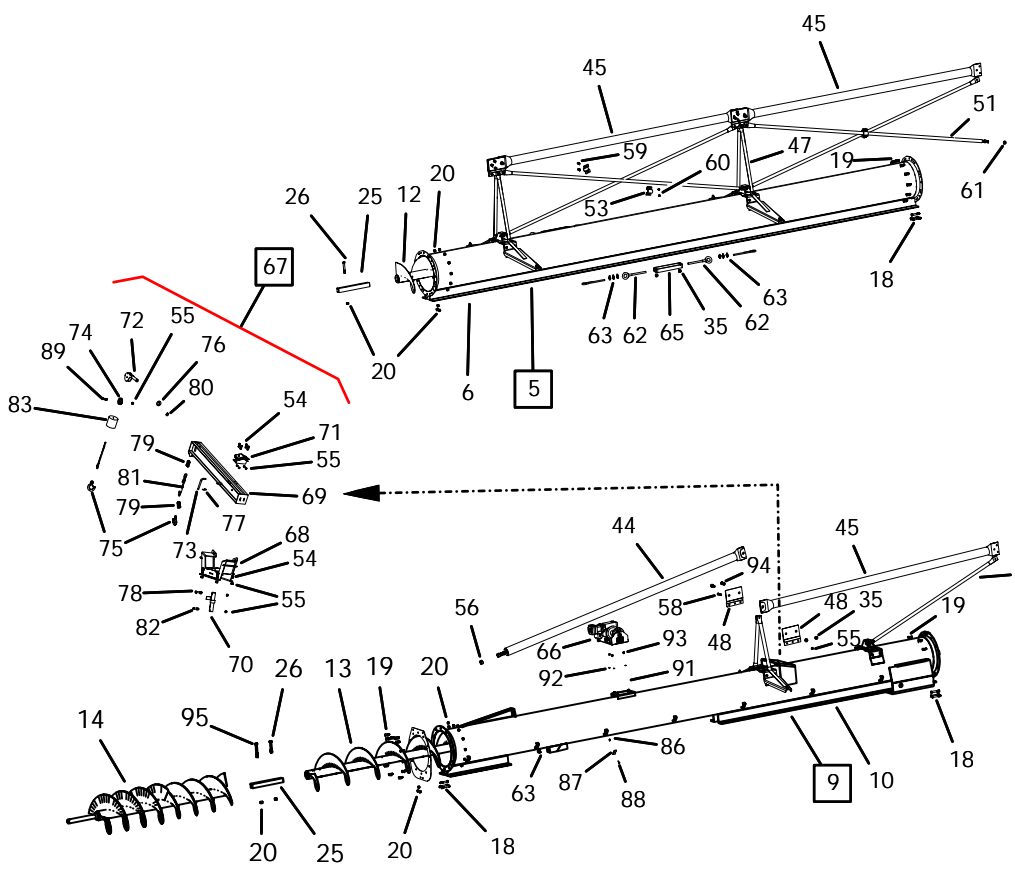
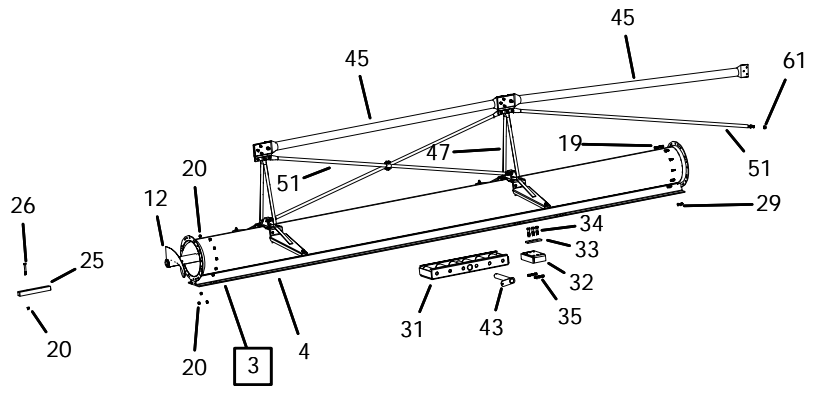
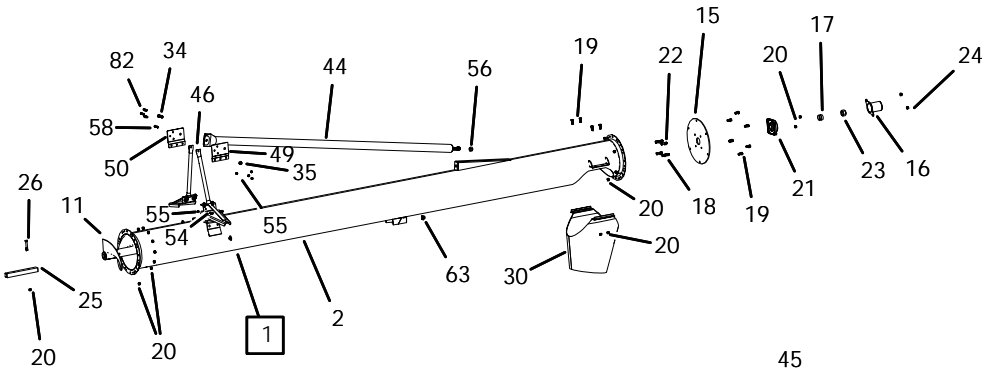
MKX160-85 TUBE & TRUSS COMPONENTS



## MKX160-85 TUBE & TRUSS COMPONENTS

ITEM	PART NO.	DESCRIPTION
54	10-18698	7/16" X 1-1/4" NC BOLT GR 8 PLTD
55	10-19598	7/16" NC NYLON LOCKNUT GR 2 PLTD
56	10-19997	3/4" NC HEX NUT PLTD
57	10-20715	3/4" X 11-1/2" EYE BOLT PLTD WELD
58	10-20617	1/2" CABLE CLAMP
59	10-20740	MKX160-85 TRUSS CABLE (NOT SHOWN)
60	10-20729	MKX160 TURN BUCKLE
61	10-17634	HYDRAULIC WINCH ASSEMBLY, RED
62	10-20663	MKX/X16 LIFT ARM ASSY
63	10-20664	MKX160 LIFT ARM BASE
64	10-20665	MKX160 LIFT ARM ONLY
65	10-20667	MKX160 LIFT ARM SWIVEL
66	10-20668	MKX160 LIFT ARM PULLEY GUIDE
67	10-20669	MKX160 CABLE PULLEY CASTOR
68	10-19648	SADDLE PIN
69	10-10713	CABLE PULLEY (PAINTED BLACK)
70	10-28997	1/2T EYE HOIST HOOK W/LATCH
71	10-17020	1" FLAT WASHER PLTD
72	10-19463	SNAP PIN
73	10-19798	1/2" X 2-3/4" NC BOLT GR 8 PLTD
74	10-20083	5/16" MID LINK
75	10-29300	SNAP RING
76	10-21432	5/16" GRADE 30 (4 LINKS) CHAIN
77	9900560	1/2" X 2-1/4" NC BOLT GR 5 PLTD
78	10-20793	MKX160 HOPPER WEIGHT
79	10-19980	5/16" NC NYLON LOCKNUT PLTD
80	10-20607	MKX160 HYDRAULIC HOSE UPPER CATCH
81	10-17748	5/16" X 1-1/4" NC BOLT GR 2 PLTD
83	10-17376	MK LP HOPPER CABLE (NOT SHOWN)
84	10-19147	1/4" CABLE CLAMP (NOT SHOWN)
85	10-20732	MKX160-85 CYLINDER MOUNT BRACKET
86	10-20772	1/2" X 2-1/2" GR8 PLTD
87	10-18955	3/8" X 1" BOLT NC GR 5 PLTD
88	10-17392	3/8" FLAT WASHER PLTD
89	10-17402	3/8" NC NYLON LOCKNUT
90	10-19592	3/4" X 2" NC BOLT GR8 PLTD
91	10-27589	5/8" X 2-1/2" NC BOLT GR 8 PLTD
92	10-17632	5/8" X 5-1/2" NC BOLT GR8 PLTD

MKX160-105 TUBE & TRUSS COMPONENTS



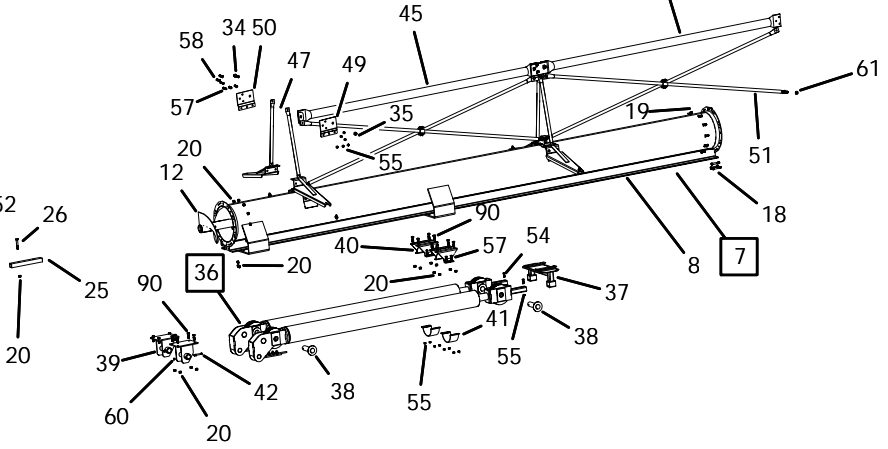
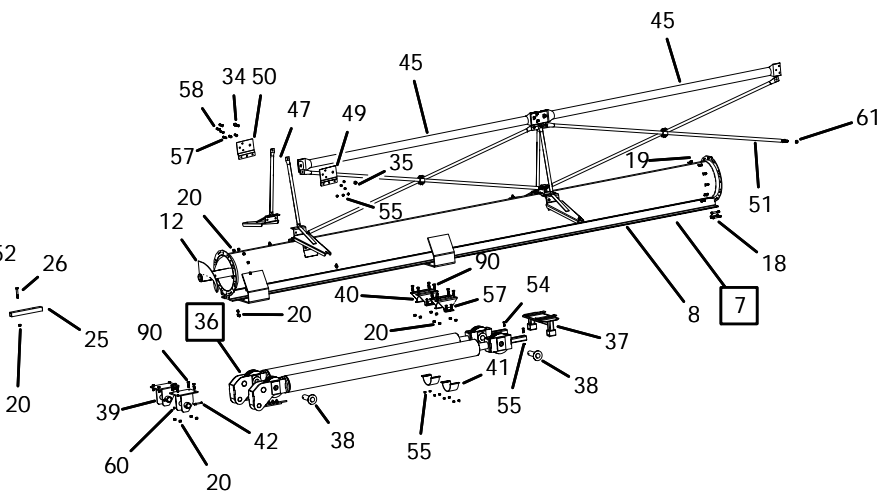
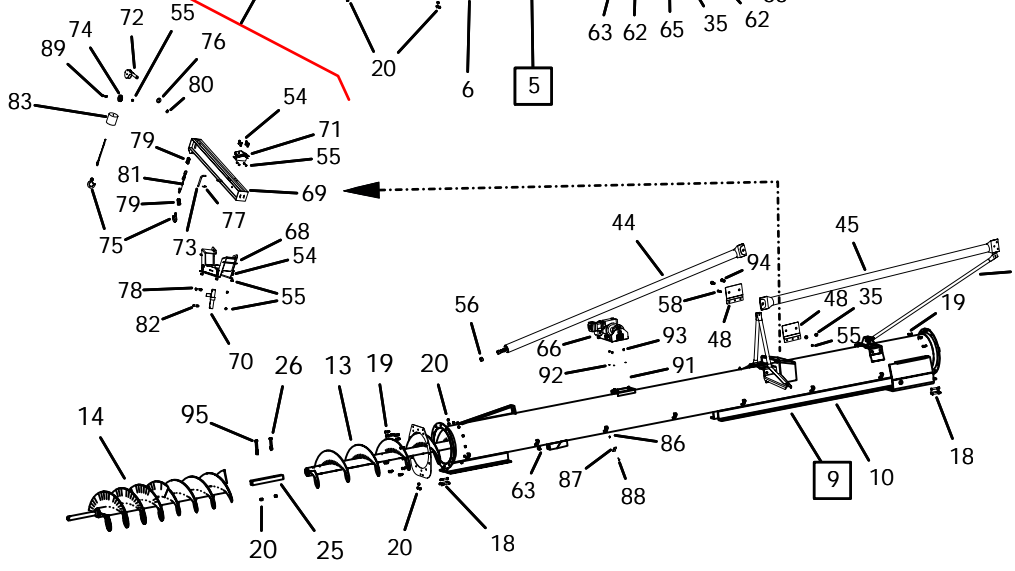
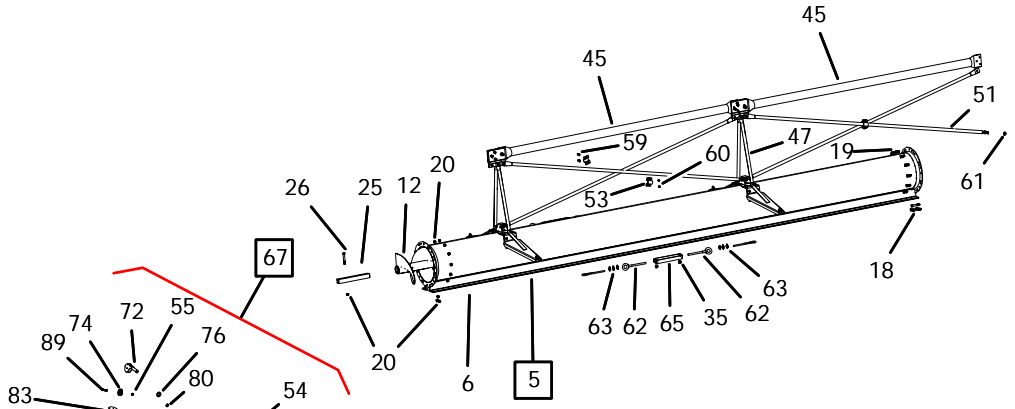
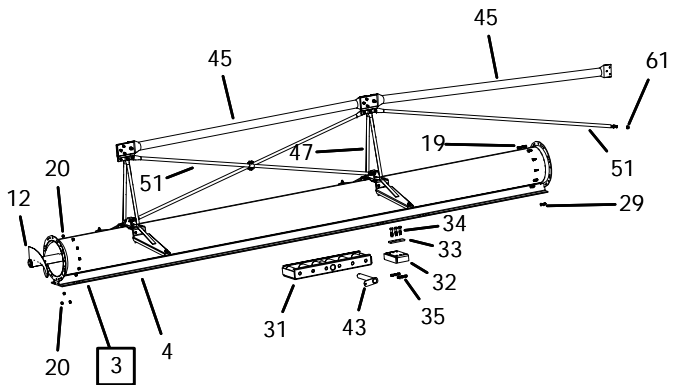
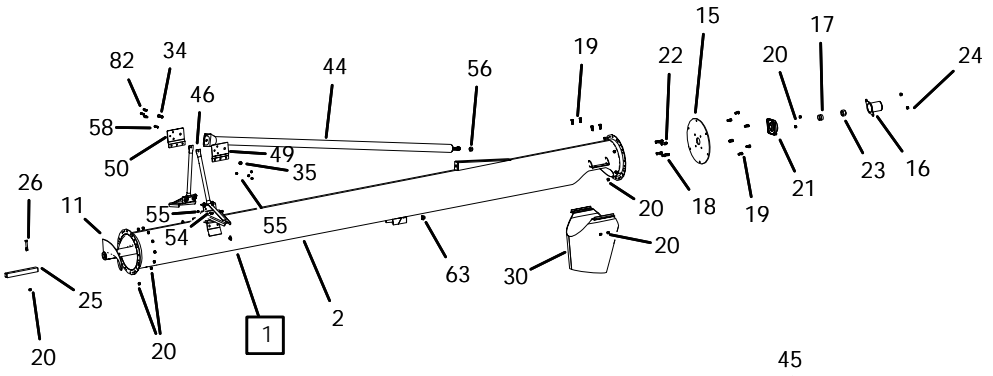


## MKX160-105 TUBE & TRUSS COMPONENTS

ITEM	PART NO.	DESCRIPTION
1	10-20719	MKX160-85/105/125 UPPER TUBE BDL
2	10-20634	MKX160 UPPER TUBE ONLY
3	10-20718	MKX160 UPPER MIDDLE TUBE BDL
4	10-20627	MKX160 UPPER MIDDLE TUBE ONLY
5	10-20717	MKX160 MIDDLE TUBE BUNDLE
6	10-20623	MKX160 MIDDLE TUBE ONLY
7	10-20734	MKX160-105/125 LWR MID TUBE BDL
8	10-20622	MKX160-105/125 LOWER MID TUBE ONLY
9	10-22452	MKX160-105/125 LOWER TUBE BDL (2016)
10	10-20624	MKX160-105/125 LOWER TUBE ONLY
11	10-20648	MKX160 UPPER FLIGHT
12	10-20618	MKX160 MIDDLE FLIGHT
13	10-22388	MKX160 LOWER FLIGHT (2016)
14	10-22387	MKX160 BOOT FLIGHT (2016)
15	10-20632	MKX160 END PLATE
16	10-20660	MKX160 THRUST ADJUSTER COVER
17	10-21171	BUSHING, THRUST ADJUSTER
18	10-17745	5/8" X 3" NC BOLT GR8 PLTD
19	10-19590	5/8" X 1-1/2" NC BOLT GR 8 PLTD
20	10-19600	5/8" NC NYLON LOCKNUT PLTD
21	10-20015	FHF211-32G-AP BEARING
22	10-27484	5/8" X 2-1/4" NC BOLT GR 8 PLTD
23	10-27587	1-1/2" NF HEX NUT GR 5 PLAIN
24	10-27588	5/8" NC SERRATED FLANGE NUT PLTD
25	10-20635	MKX160 SQUARE SHAFT
26	10-18545	5/8" X 4-1/2" NC BOLT GR 8 PLTD
29	10-27589	5/8" X 2-1/2" NC BOLT GR 8 PLTD
30	10-20631	SPOUT, 16 INCH ROLLED
31	10-20647	MKX160 TRACKSHOE
32	10-20670	MKX160 TRACKSTOP
33	10-21037	MKX160 TRACKSTOP SPACER PLATE
34	10-19978	3/4" X 3" NC BOLT GR 8 PLTD
35	10-19601	3/4" NC NYLON LOCKNUT PLTD
36	10-20747	MKX160-105 HYD CYLINDER ASSEMBLY
37	10-20751	MKX160-105/125 RAM GUIDE
38	10-20744	MKX160 HYDRAULIC CYLINDER PIN
39	10-20749	MKX160-105/125 REAR CYL ATTACH
40	10-20735	MKX160 HALF CLAMP BRACKET
41	10-20736	MKX160 HALF CLAMP BRACKET
42	10-19547	7/16" X 3-1/2" NC BOLT GR 5 PLTD
43	10-20656	MKX160 TRACKSHOE PIN
44	10-20722	MKX160 LONG ADJUST TUBE
45	10-20723	MKX160 TRUSS TUBE
46	10-20659	MKX160 LOW TRUSS TOWER
47	10-20658	MKX160 HIGH TRUSS TOWER
48	10-20737	MKX160 END JOINER PLATE
49	10-20721	MKX160 JOINER PLATE 2 (RIGHT)
50	10-20720	MKX160 JOINER PLATE 1 (LEFT)
51	10-20725	MKX160 TRUSS CROSS BRACE, LONG
52	10-20778	MKX160 SHORT CROSS BRACE

MKX160-105 TUBE & TRUSS COMPONENTS

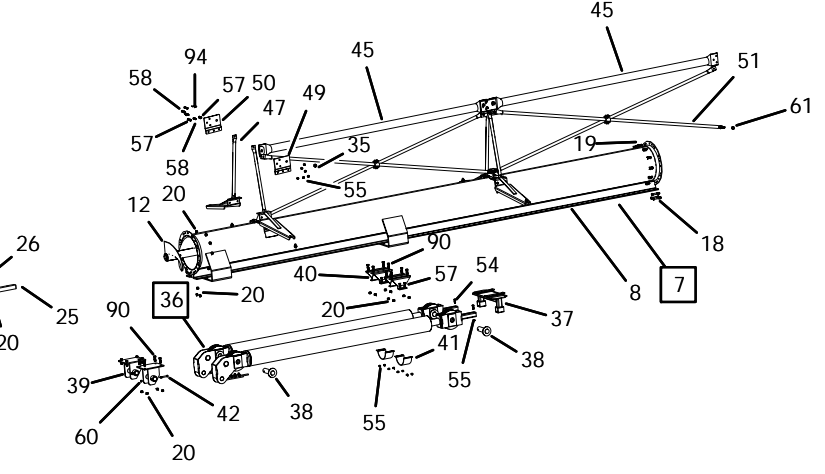
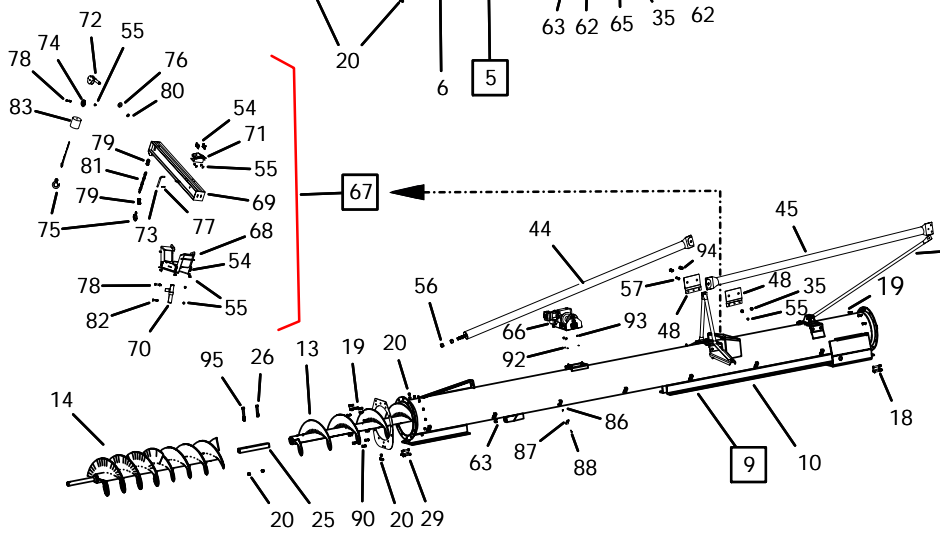
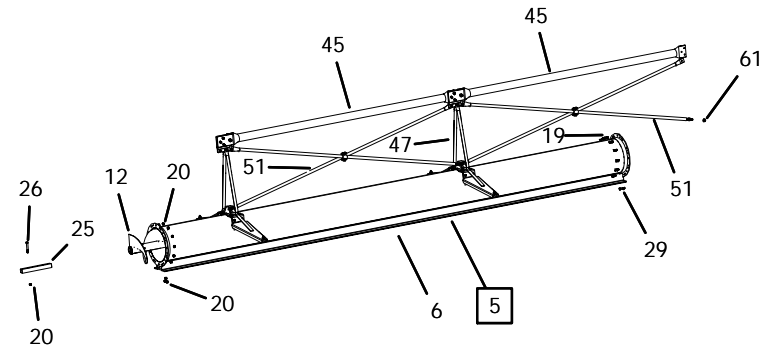
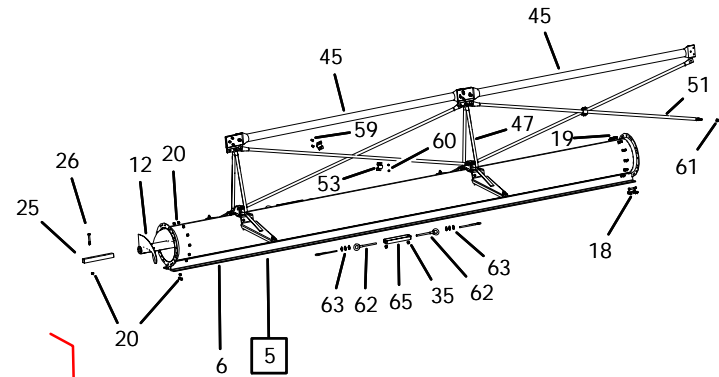
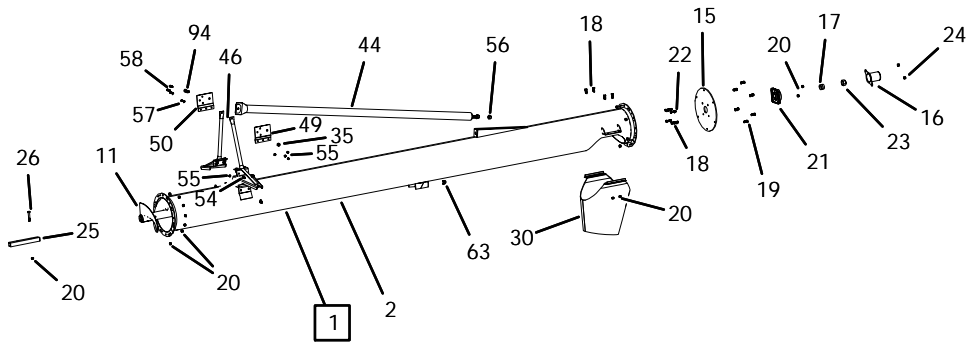
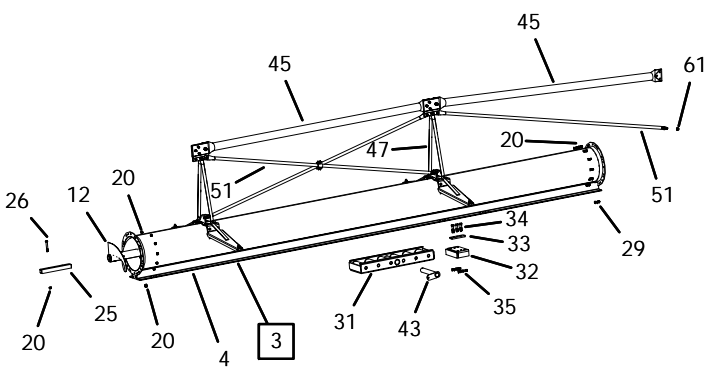
10



## MKX160-105 TUBE & TRUSS COMPONENTS

ITEM	PART NO.	DESCRIPTION
53	10-17655	MK111 CROSS BRACE CLAMP
54	10-19589	1/2" X 1-1/2" NC BOLT GR 8 PLTD
55	10-19599	1/2" NC NYLON LOCKNUT GR 2 PLTD
56	10-20080	1" NC HEX NUT PLTD
57	10-19974	1/2" X 1-3/4" NC BOLT GR 8 PLTD
58	10-20772	1/2" X 2-1/2" GR8 PLTD
59	10-18698	7/16" X 1-1/4" NC BOLT GR 8 PLTD
60	10-19598	7/16" NC NYLON LOCKNUT GR 2 PLTD
61	10-19997	3/4" NC HEX NUT PLTD
62	10-20715	3/4" X 11-1/2" EYE BOLT PLTD (WELD)
63	10-20617	1/2" CABLE CLAMP
64	10-20742	MKX160-125 TRUSS CABLE (NOT SHOWN)
65	10-20729	MKX160 TURN BUCKLE
66	10-17634	HYDRAULIC WINCH ASSEMBLY, RED
67	10-20663	MKX/X16 LIFT ARM ASSY
68	10-20664	MKX160 LIFT ARM BASE
69	10-20665	MKX160 LIFT ARM ONLY
70	10-20667	MKX160 LIFT ARM SWIVEL
71	10-20668	MKX160 LIFT ARM PULLEY GUIDE
72	10-20669	MKX160 CABLE PULLEY CASTOR
73	10-19648	SADDLE PIN
74	10-10713	CABLE PULLEY (PAINTED BLACK)
75	10-28997	1/2T EYE HOIST HOOK PAINTED W/LATCH
76	10-17020	1" FLAT WASHER PLTD
77	10-19463	SNAP PIN
78	10-19798	1/2" X 2-3/4" NC BOLT GR 8 PLTD
79	10-20083	5/16" MID LINK
80	10-29300	SNAP RING
81	10-21432	5/16" GRADE 30 (4 LINKS) CHAIN
82	9900560	1/2" X 2-1/4" NC BOLT GR 5 PLTD
83	10-20793	MKX160 HOPPER WEIGHT
84	10-17376	MK LP HOPPER CABLE (NOT SHOWN)
85	10-19147	1/4" CABLE CLAMP (NOT SHOWN)
86	10-19980	5/16" NC NYLON LOCKNUT PLTD
87	10-20607	MKX160 HYDRAULIC HOSE UPPER CATCH
88	10-17748	5/16" X 1-1/4" NC BOLT GR 2 PLTD
90	10-19991	5/8" X 2" NC BOLT GR 8 PLTD
91	10-18955	3/8" X 1" BOLT NC GR 5 PLTD
92	10-17392	3/8" FLAT WASHER PLTD
93	10-17402	3/8" NC NYLON LOCKNUT
94	10-20774	3/4" X 2-1/2" BOLT GR 8 PLTD
95	10-17632	5/8" X 5-1/2" NC BOLT GR8 PLTD

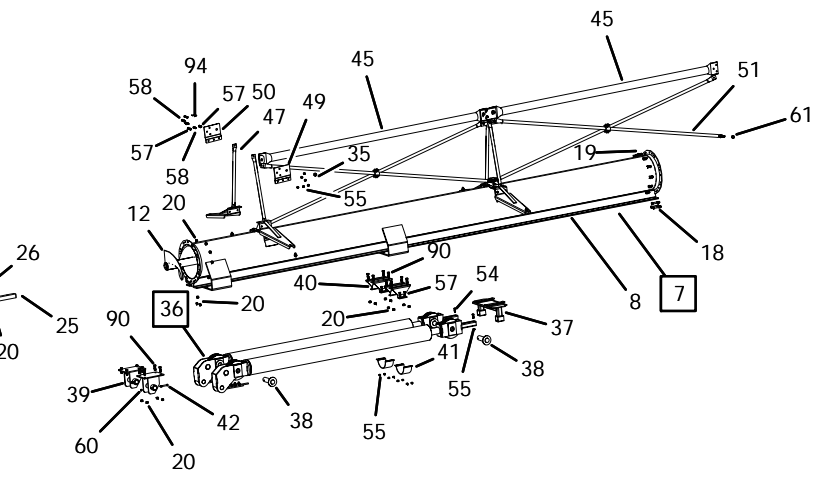
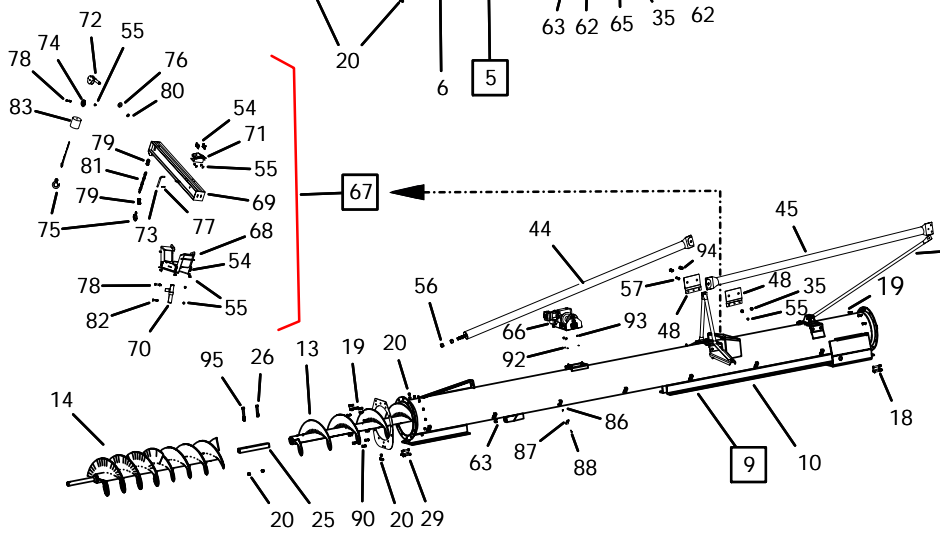
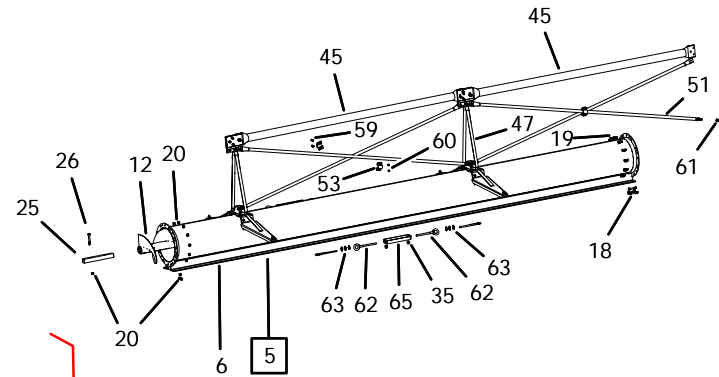
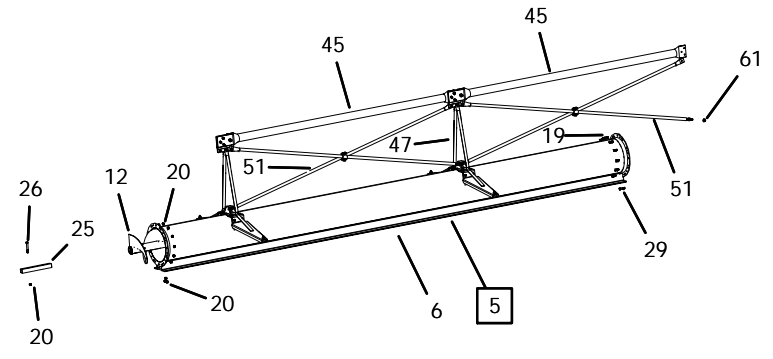
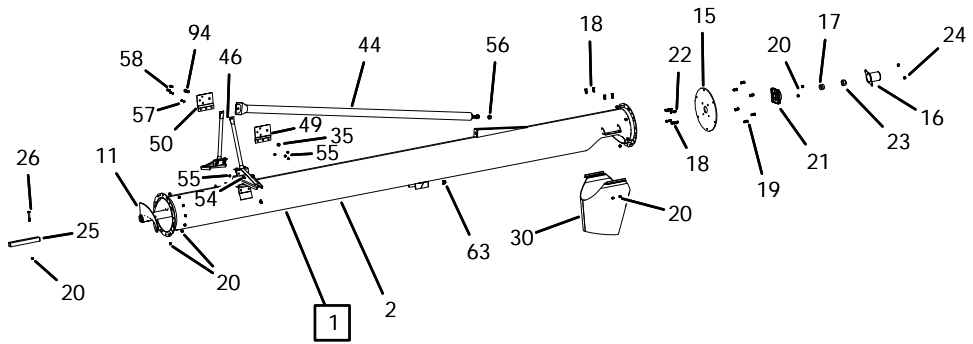
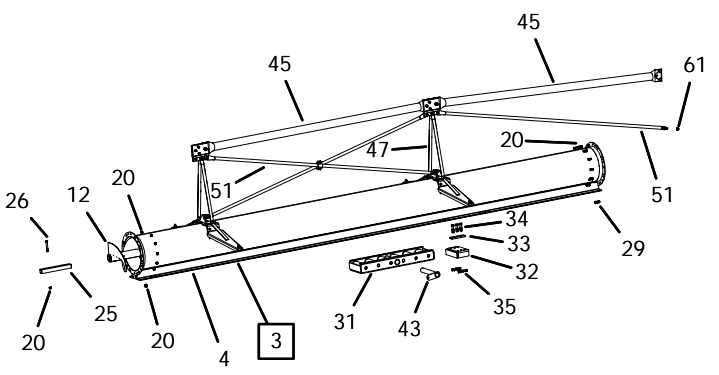
MKX160-125 TUBE & TRUSS COMPONENTS



## MKX160-125 TUBE & TRUSS COMPONENTS

ITEM	PART NO.	DESCRIPTION
1	10-20719	MKX160-85/105/125 UPPER TUBE BDL
2	10-20634	MKX160 UPPER TUBE ONLY
3	10-20718	MKX160 UPPER MIDDLE TUBE BDL
4	10-20627	MKX160 UPPER MIDDLE TUBE ONLY
5	10-20717	MKX160 MIDDLE TUBE BUNDLE
6	10-20623	MKX160 MIDDLE TUBE ONLY
7	10-20734	MKX160-105/125 LWR MID TUBE BDL
8	10-20622	MKX160-105/125 LOWER MID TUBE ONLY
9	10-22452	MKX160-105/125 LOWER TUBE BDL (2016)
10	10-20624	MKX160-105/125 LOWER TUBE ONLY
11	10-20648	MKX160 UPPER FLIGHT
12	10-20618	MKX160 MIDDLE FLIGHT
13	10-22388	MKX160 LOWER FLIGHT (2016)
14	10-22387	MKX160 BOOT FLIGHT (2016)
15	10-20632	MKX160 END PLATE
16	10-20660	MKX160 THRUST ADJUSTER COVER
17	10-21171	BUSHING, THRUST ADJUSTER
18	10-17745	5/8" X 3" NC BOLT GR8 PLTD
19	10-19590	5/8" X 1-1/2" NC BOLT GR 8 PLTD
20	10-19600	5/8" NC NYLON LOCKNUT PLTD
21	10-20015	FHF211-32G-AP BEARING
22	10-27484	5/8" X 2-1/4" NC BOLT GR 8 PLTD
23	10-27587	1-1/2" NF HEX NUT GR 5 PLAIN
24	10-27588	5/8" NC SERRATED FLANGE NUT PLTD
25	10-20635	MKX160 SQUARE SHAFT
26	10-18545	5/8" X 4-1/2" NC BOLT GR 8 PLTD
29	10-27589	5/8" X 2-1/2" NC BOLT GR 8 PLTD
30	10-20631	SPOUT, 16 INCH ROLLED
31	10-20647	MKX160 TRACKSHOE
32	10-20670	MKX160 TRACKSTOP
33	10-21037	MKX160 TRACKSTOP SPACER PLATE
34	10-19978	3/4" X 3" NC BOLT GR 8 PLTD
35	10-19601	3/4" NC NYLON LOCKNUT PLTD
36	10-20799	MKX160-125 HYD CYLINDER ASSEMBLY
37	10-20751	MKX160-105/125 RAM GUIDE
38	10-20744	MKX160 HYDRAULIC CYLINDER PIN
39	10-20749	MKX160-105/125 REAR CYL ATTACH
40	10-20735	MKX160 HALF CLAMP BRACKET
41	10-20736	MKX160 HALF CLAMP BRACKET
42	10-19547	7/16" X 3-1/2" NC BOLT GR 5 PLTD
43	10-20656	MKX160 TRACKSHOE PIN
44	10-20722	MKX160 LONG ADJUST TUBE
45	10-20723	MKX160 TRUSS TUBE
46	10-20659	MKX160 LOW TRUSS TOWER
47	10-20658	MKX160 HIGH TRUSS TOWER
48	10-20737	MKX160 END JOINER PLATE
49	10-20721	MKX160 JOINER PLATE 2 (RIGHT)
50	10-20720	MKX160 JOINER PLATE 1 (LEFT)
51	10-20725	MKX160 TRUSS CROSS BRACE, LONG
52	10-20778	MKX160 SHORT CROSS BRACE

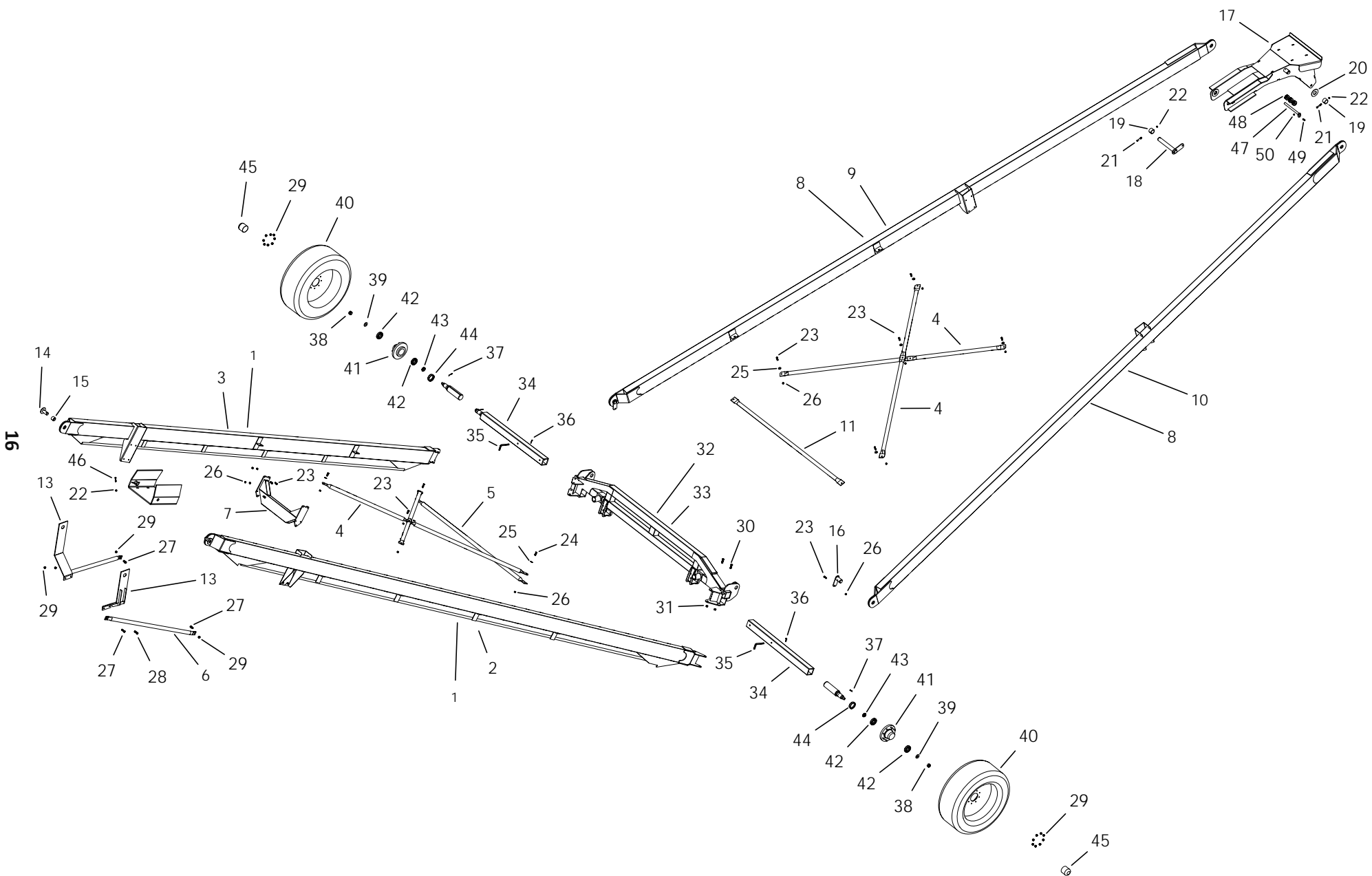
MKX160-125 TUBE & TRUSS COMPONENTS



## MKX160-125 TUBE & TRUSS COMPONENTS

ITEM	PART NO.	DESCRIPTION
53	10-17655	MK111 CROSS BRACE CLAMP
54	10-19589	1/2" X 1-1/2" NC BOLT GR 8 PLTD
55	10-19599	1/2" NC NYLON LOCKNUT GR 2 PLTD
56	10-20080	1" NC HEX NUT PLTD
57	10-19974	1/2" X 1-3/4" NC BOLT GR 8 PLTD
58	10-20772	1/2" X 2-1/2" GR8 PLTD
59	10-18698	7/16" X 1-1/4" NC BOLT GR 8 PLTD
60	10-19598	7/16" NC NYLON LOCKNUT GR 2 PLTD
61	10-19997	3/4" NC HEX NUT PLTD
62	10-20715	3/4" X 11-1/2" EYE BOLT PLTD (WELD)
63	10-20617	1/2" CABLE CLAMP
64	10-20741	MKX160-125 TRUSS CABLE (NOT SHOWN)
65	10-20729	MKX160 TURN BUCKLE
66	10-17634	HYDRAULIC WINCH ASSEMBLY, RED
67	10-20663	MKX/X16 LIFT ARM ASSY
68	10-20664	MKX160 LIFT ARM BASE
69	10-20665	MKX160 LIFT ARM ONLY
70	10-20667	MKX160 LIFT ARM SWIVEL
71	10-20668	MKX160 LIFT ARM PULLEY GUIDE
72	10-20669	MKX160 CABLE PULLEY CASTOR
73	10-19648	SADDLE PIN
74	10-10713	CABLE PULLEY (PAINTED BLACK)
75	10-28997	1/2T EYE HOIST HOOK PAINTED W/LATCH
76	10-17020	1" FLAT WASHER PLTD
77	10-19463	SNAP PIN
78	10-19798	1/2" X 2-3/4" NC BOLT GR 8 PLTD
79	10-20083	5/16" MID LINK
80	10-29300	SNAP RING
81	10-21432	5/16" GRADE 30 (4 LINKS) CHAIN
82	9900560	1/2" X 2-1/4" NC BOLT GR 5 PLTD
83	10-20793	MKX160 HOPPER WEIGHT
84	10-17376	MK LP HOPPER CABLE (NOT SHOWN)
85	10-19147	1/4" CABLE CLAMP (NOT SHOWN)
86	10-19980	5/16" NC NYLON LOCKNUT PLTD
87	10-20607	MKX160 HYDRAULIC HOSE UPPER CATCH
88	10-17748	5/16" X 1-1/4" NC BOLT GR 2 PLTD
90	10-19991	5/8" X 2" NC BOLT GR 8 PLTD
91	10-18955	3/8" X 1" BOLT NC GR 5 PLTD
92	10-17392	3/8" FLAT WASHER PLTD
93	10-17402	3/8" NC NYLON LOCKNUT
94	10-20774	3/4" X 2-1/2" BOLT GR 8 PLTD
95	10-17632	5/8" X 5-1/2" NC BOLT GR8 PLTD

# MKX160-85 FRAME COMPONENTS

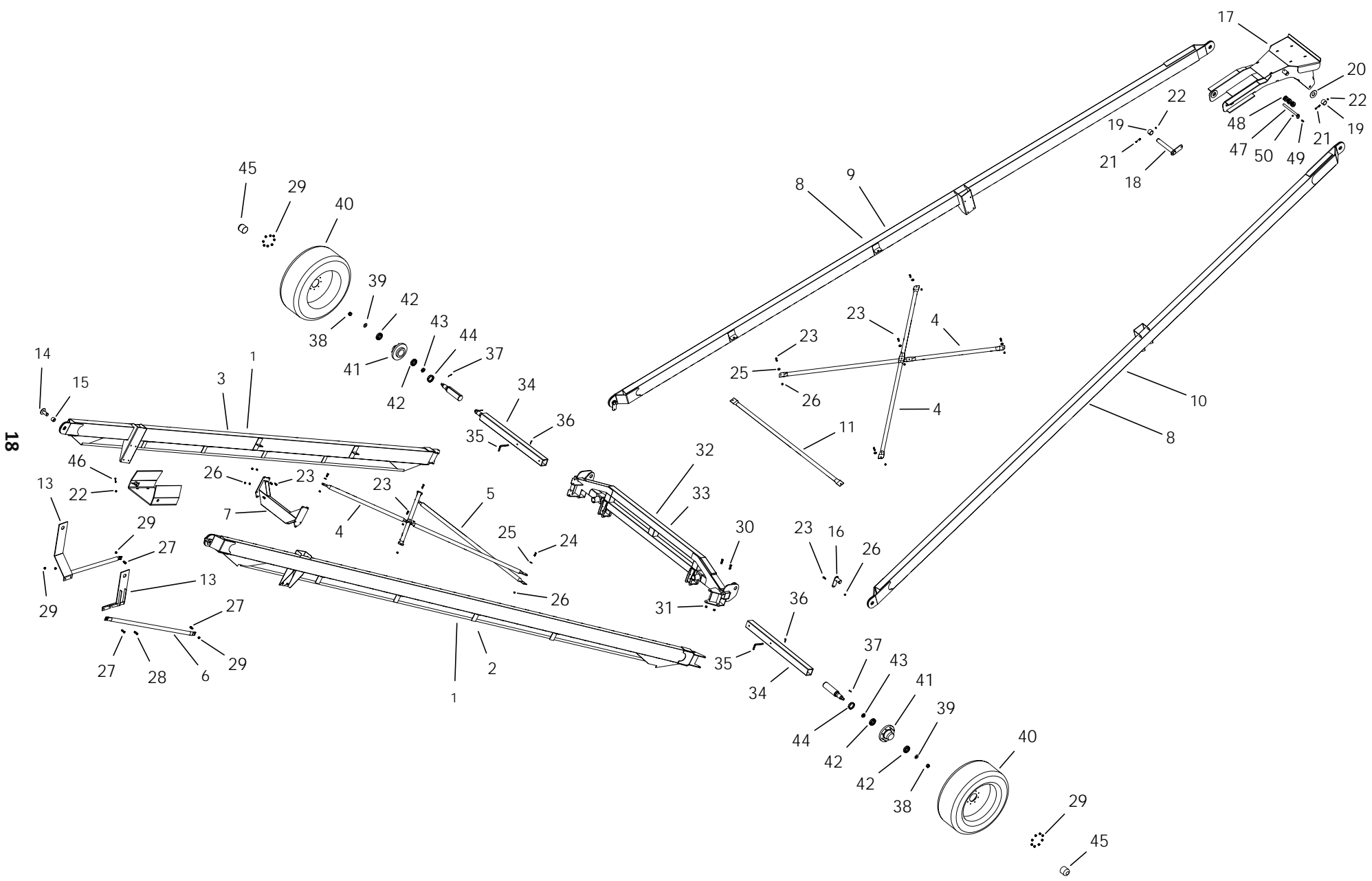




## MKX160-85 FRAME COMPONENTS

ITEM	PART NO.	DESCRIPTION
1	10-20782	MKX160 LOWER FRAME BUNDLE
2	10-20708	MKX160 LOWER ARM RH
3	10-20709	MKX160-85 LOWER ARM LH
4	10-20281	FRAME CROSS BRACE
5	10-20359	MKX1384/1685 LOWER TIE TUBE
6	10-20255	MKX130 STABALIZER BRACE
7	10-20646	MKX160 SHORT CROSS MEMBER
8	10-20785	MKX160 UPPER FRAME BUNDLE
9	10-20763	MKX160-85 UPPER ARM LH
10	10-20763	MKX160-85 UPPER ARM RH
11	10-20727	MKX160-85 UPPER TIE TUBE
13	10-20625	MKX160 STABALIZER BRACKET
14	10-20682	MKX160 TUBE FRAME ATTACH PIN
15	10-20661	MKX160 LOWER FRAME ATTACH BUSHING
16	10-20681	MKX160 AXLE FRAME PIN
17	10-20674	MKX160 LIFT ASSIST
18	10-20656	MKX160 TRACKSHOE PIN
19	10-20654	MKX160 TRACKSHOE BUSHING
20	10-20724	2" SAE FLAT WASHER PLTD
21	10-19547	7/16" X 3-1/2" NC BOLT GR 5 PLTD
22	10-19598	7/16" NC NYLON LOCKNUT GR 2 PLTD
23	10-19589	1/2" X 1-1/2" NC BOLT GR 8 PLTD
24	10-19974	1/2" X 1-3/4" NC BOLT GR 8 PLTD
25	10-17401	1/2" FLAT WASHER PLTD
26	10-19599	1/2" NC NYLON LOCKNUT GR 2 PLTD
27	10-19991	5/8" X 2" NC BOLT GR 8 PLTD
28	10-27484	5/8" X 2-1/4" NC BOLT GR 8 PLTD
29	10-19600	5/8" NC NYLON LOCKNUT PLTD
30	10-19592	3/4" X 2" NC BOLT GR 8 PLTD
31	10-19601	3/4" NC NYLON LOCKNUT PLTD
32	10-20642	MKX16 AXLE ASSY
33	10-20641	MKX160 AXLE
34	10-20645	MKX160 AXLE EXTENSION
35	10-20832	MKX160 AXLE PIN
36	10-19463	210 HITCH PIN
37	10-17757	3/16" X 1-3/4" COTTER PIN PLTD
38	10-17011	1" NF SLOTTED NUT PLAIN
39	10-20833	MKX160 HUB WASHER
40	10-20621	385/65R22.5 RECAPED WHEEL ASSEMBLY
41	10-20620	8000LB 8 BOLT IMP HUB ASSM STUDDER
42	10-21433	MKX/X160 HUB BEARING, LARGE
42A	10-22003	MKX/X160 BEARING CUP, LARGE
43	10-21434	MKX/X160 HUB BEARING SMALL
43A	10-22004	MKX/X160 BEARING CUP, SMALL
44	10-21435	MKX/X160 HUB SEAL
45	10-21436	MKX/X160 HUB DUST CAP
46	10-19546	7/16" X 3" NC BOLT GR 5 PLTD
47	10-22603	16" LIFT ASSIST LOWER PIN
48	10-20675	1/2" CABLE THIMBLE PULLEY
49	10-19975	BOLT, 3/8" X 1-1/4"

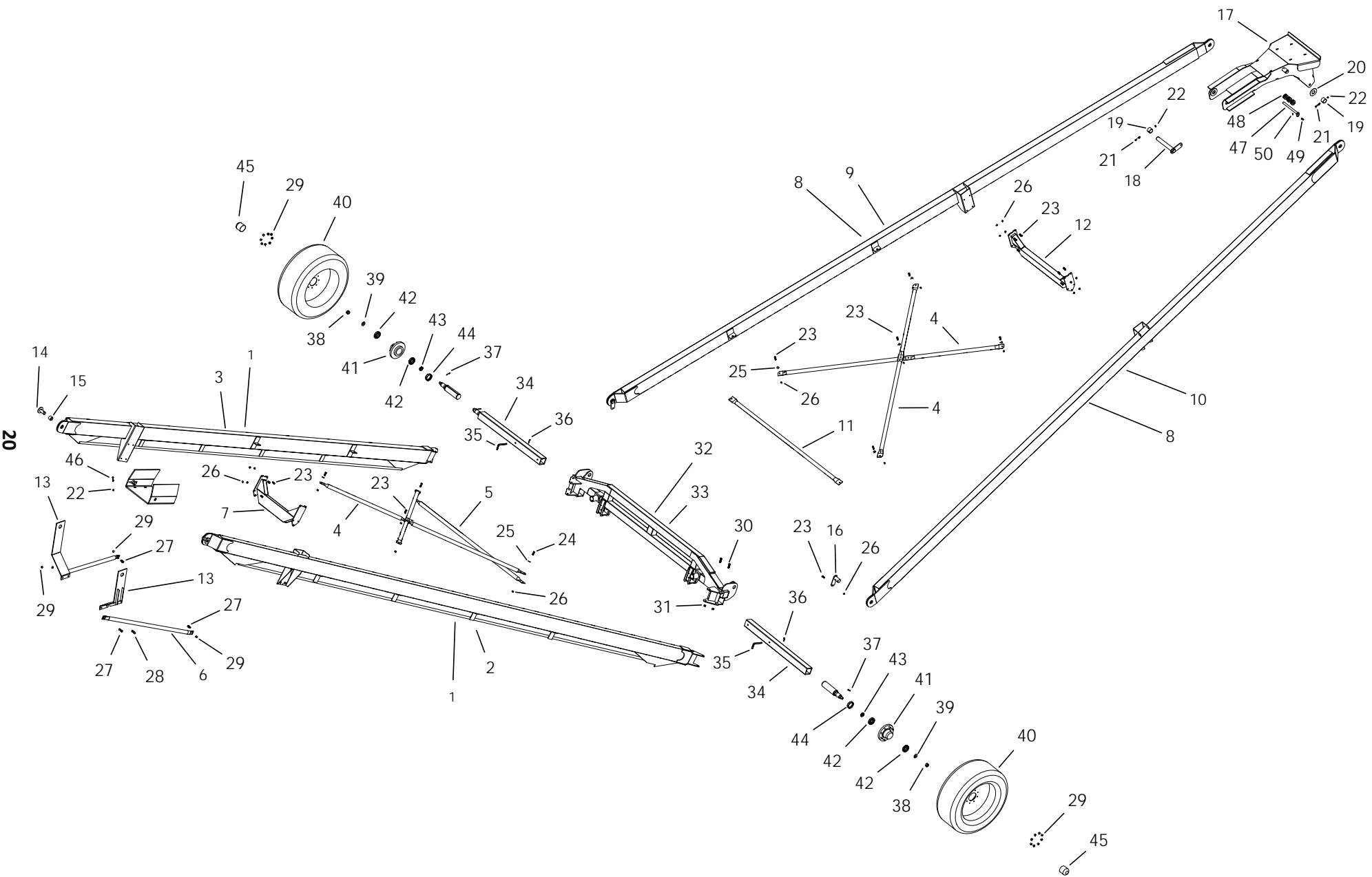
# MKX160-85 FRAME COMPONENTS



# MKX160-85 FRAME COMPONENTS

ITEM	PART NO.	DESCRIPTION
50	10-17402	LOCKNUT, 3/8"

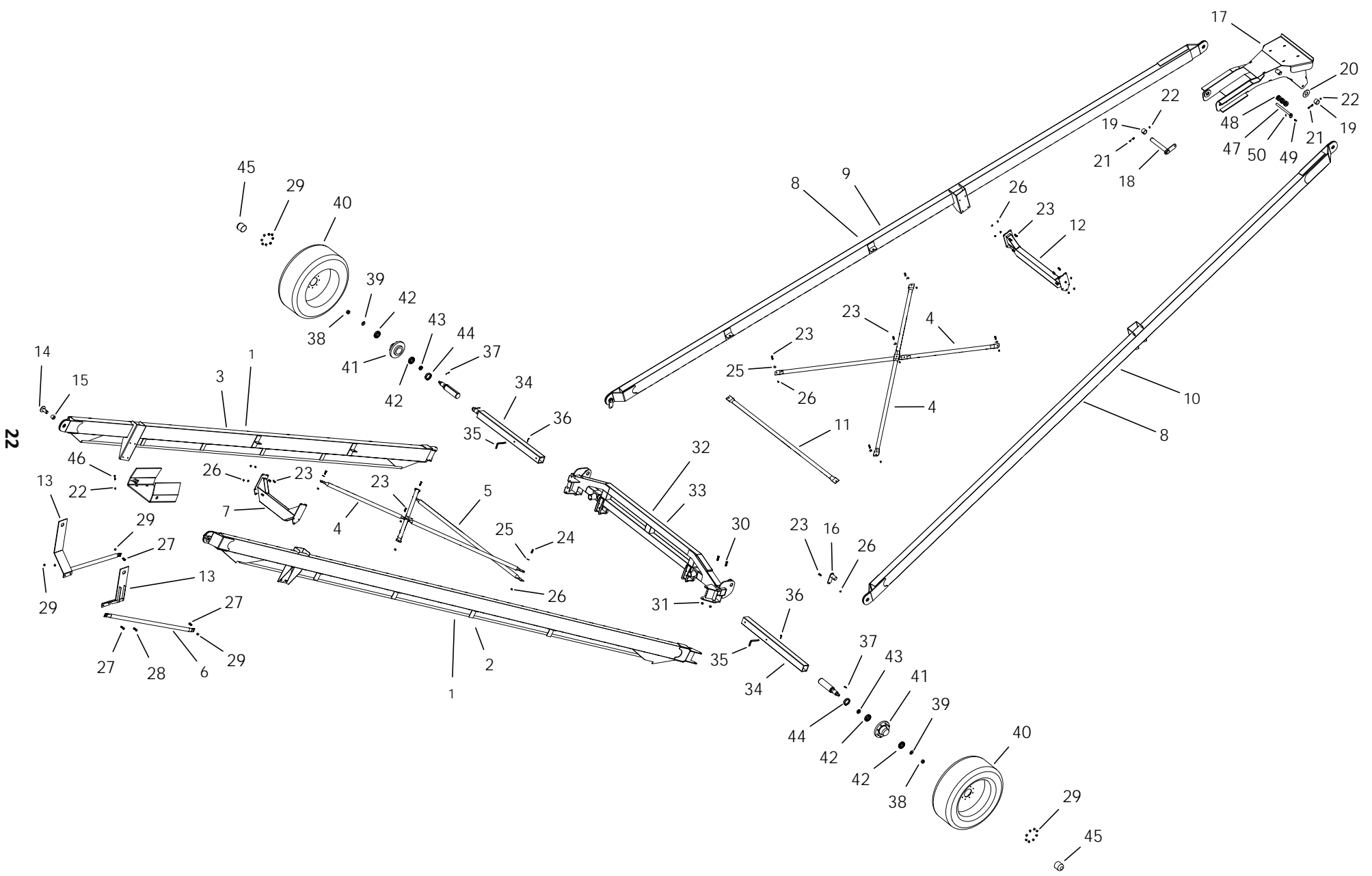
# MKX160-105 FRAME COMPONENTS



## MKX160-105 FRAME COMPONENTS

ITEM	PART NO.	DESCRIPTION
1	10-20783	MKX160 LOWER FRAME BUNDLE
2	10-20626	MKX160 LOWER ARM RH
3	10-20630	MKX160-105 LOWER ARM LH
4	10-20378	FRAME CROSS BRACE
5	10-20640	MKX160-105 LOWER TIE TUBE
6	10-20255	MKX130 STABALIZER BRACE
7	10-20646	MKX160 SHORT CROSS MEMBER
8	10-20786	MKX160 UPPER FRAME BUNDLE
9	10-20672	MKX160-105 UPPER ARM LH
10	10-20673	MKX160-105 UPPER ARM RH
11	10-20677	MKX160-105 UPPER TIE TUBE
12	10-20646	MKX160 SHORT CROSS MEMBER
13	10-20625	MKX160 STABALIZER BRACKET
14	10-20682	MKX160 TUBE FRAME ATTACH PIN
15	10-20661	MKX160 LOWER FRAME ATTACH BUSHING
16	10-20681	MKX160 AXLE FRAME PIN
17	10-20674	MKX160 LIFT ASSIST
18	10-20656	MKX160 TRACKSHOE PIN
19	10-20654	MKX160 TRACKSHOE BUSHING
20	10-20724	2" SAE FLAT WASHER PLTD
21	10-19547	7/16" X 3-1/2" NC BOLT GR 5 PLTD
22	10-19598	7/16" NC NYLON LOCKNUT GR 2 PLTD
23	10-19589	1/2" X 1-1/2" NC BOLT GR 8 PLTD
24	10-19974	1/2" X 1-3/4" NC BOLT GR 8 PLTD
25	10-17401	1/2" FLAT WASHER PLTD
26	10-19599	1/2" NC NYLON LOCKNUT GR 2 PLTD
27	10-19991	5/8" X 2" NC BOLT GR 8 PLTD
28	10-27484	5/8" X 2-1/4" NC BOLT GR 8 PLTD
29	10-19600	5/8" NC NYLON LOCKNUT PLTD
30	10-19592	3/4" X 2" NC BOLT GR 8 PLTD
31	10-19601	3/4" NC NYLON LOCKNUT PLTD
32	10-20642	MKX16 AXLE ASSY
33	10-20641	MKX160 AXLE
34	10-20645	MKX160 AXLE EXTENSION
35	10-20832	MKX160 AXLE PIN
36	10-19463	210 HITCH PIN
37	10-17757	3/16" X 1-3/4" COTTER PIN PLTD
38	10-17011	1" NF SLOTTED NUT PLAIN
39	10-20833	MKX160 HUB WASHER
40	10-20621	385/65R22.5 RECAPED WHEEL ASSEMBLY
41	10-20620	8000LB 8 BOLT IMP HUB ASSM STUDDER
42	10-21433	MKX/X160 HUB BEARING, LARGE
42A	10-22003	MKX/X160 BEARING CUP, LARGE
43	10-21434	MKX/X160 HUB BEARING SMALL
43A	10-22004	MKX/X160 BEARING CUP, SMALL
44	10-21435	MKX/X160 HUB SEAL
45	10-21436	MKX/X160 HUB DUST CAP
46	10-19546	7/16" X 3" NC BOLT GR 5 PLTD
47	10-22603	16" LIFT ASSIST LOWER PIN
48	10-20675	1/2" CABLE THIMBLE PULLEY

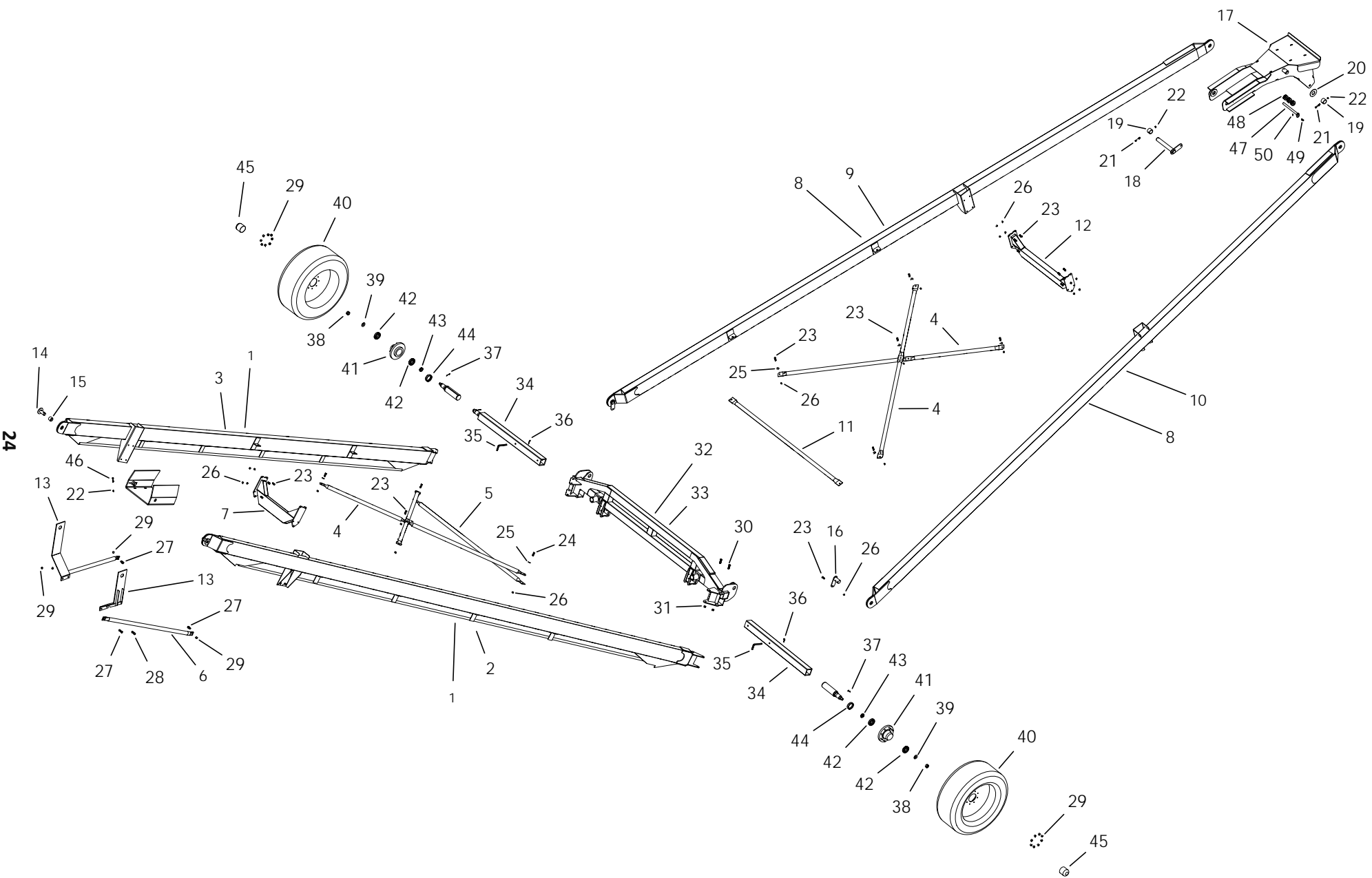
# MKX160-105 FRAME COMPONENTS



# MKX160-105 FRAME COMPONENTS

ITEM	PART NO.	DESCRIPTION
49	10-19975	BOLT, 3/8" X 1-1/4"
50	10-17402	LOCKNUT, 3/8"

# MKX160-125 FRAME COMPONENTS

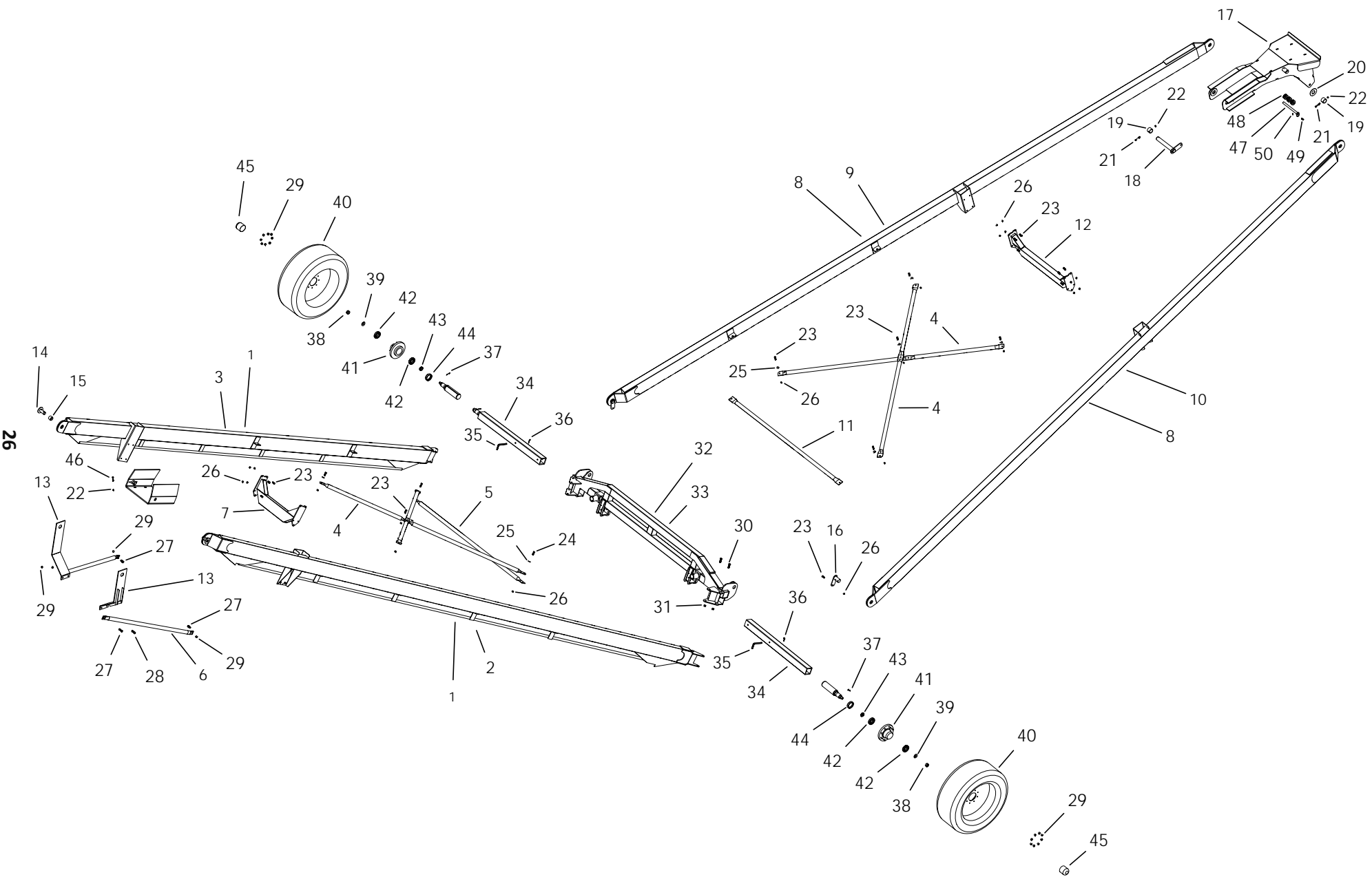




## MKX160-125 FRAME COMPONENTS

ITEM	PART NO.	DESCRIPTION
1	10-20784	MKX160 LOWER FRAME BUNDLE
2	10-20701	MKX160 LOWER ARM RH
3	10-20702	MKX160 LOWER ARM LH
4	10-20378	FRAME CROSS BRACE
5	10-20726	MKX160 LOWER TIE TUBE
6	10-20255	MKX130 STABALIZER BRACE
7	10-20646	MKX160 SHORT CROSS MEMBER
8	10-20787	MKX160 UPPER FRAME BUNDLE
9	10-20704	MKX160 UPPER ARM LH
10	10-20703	MKX160 UPPER ARM RH
11	10-20769	MKX160 UPPER TIE TUBE
12	10-20750	MKX160 SHORT CROSS MEMBER
13	10-20625	MKX160 STABALIZER BRACKET
14	10-20682	MKX160 TUBE FRAME ATTACH PIN
15	10-20661	MKX160 LOWER FRAME ATTACH BUSHING
16	10-20681	MKX160 AXLE FRAME PIN
17	10-20674	MKX160 LIFT ASSIST
18	10-20656	MKX160 TRACKSHOE PIN
19	10-20654	MKX160 TRACKSHOE BUSHING
20	10-20724	2" SAE FLAT WASHER PLTD
21	10-19547	7/16" X 3-1/2" NC BOLT GR 5 PLTD
22	10-19598	7/16" NC NYLON LOCKNUT GR 2 PLTD
23	10-19589	1/2" X 1-1/2" NC BOLT GR 8 PLTD
24	10-19974	1/2" X 1-3/4" NC BOLT GR 8 PLTD
25	10-17401	1/2" FLAT WASHER PLTD
26	10-19599	1/2" NC NYLON LOCKNUT GR 2 PLTD
27	10-19991	5/8" X 2" NC BOLT GR 8 PLTD
28	10-27484	5/8" X 2-1/4" NC BOLT GR 8 PLTD
29	10-19600	5/8" NC NYLON LOCKNUT PLTD
30	10-19592	3/4" X 2" NC BOLT GR 8 PLTD
31	10-19601	3/4" NC NYLON LOCKNUT PLTD
32	10-20642	MKX16 AXLE ASSY
33	10-20641	MKX160 AXLE
34	10-20645	MKX160 AXLE EXTENSION
35	10-20832	MKX160 AXLE PIN
36	10-19463	210 HITCH PIN
37	10-17757	3/16" X 1-3/4" COTTER PIN PLTD
38	10-17011	1" NF SLOTTED NUT PLAIN
39	10-20833	MKX160 HUB WASHER
40	10-20621	385/65R22.5 RECAPED WHEEL ASSEMBLY
41	10-20620	8000LB 8 BOLT IMP HUB ASSM STUDDER
42	10-21433	MKX/X160 HUB BEARING, LARGE
42A	10-22003	MKX/X160 BEARING CUP, LARGE
43	10-21434	MKX/X160 HUB BEARING SMALL
43A	10-22004	MKX/X160 BEARING CUP, SMALL
44	10-21435	MKX/X160 HUB SEAL
45	10-21436	MKX/X160 HUB DUST CAP
46	10-19546	7/16" X 3" NC BOLT GR 5 PLTD
47	10-22603	16" LIFT ASSIST LOWER PIN
48	10-20675	1/2" CABLE THIMBLE PULLEY

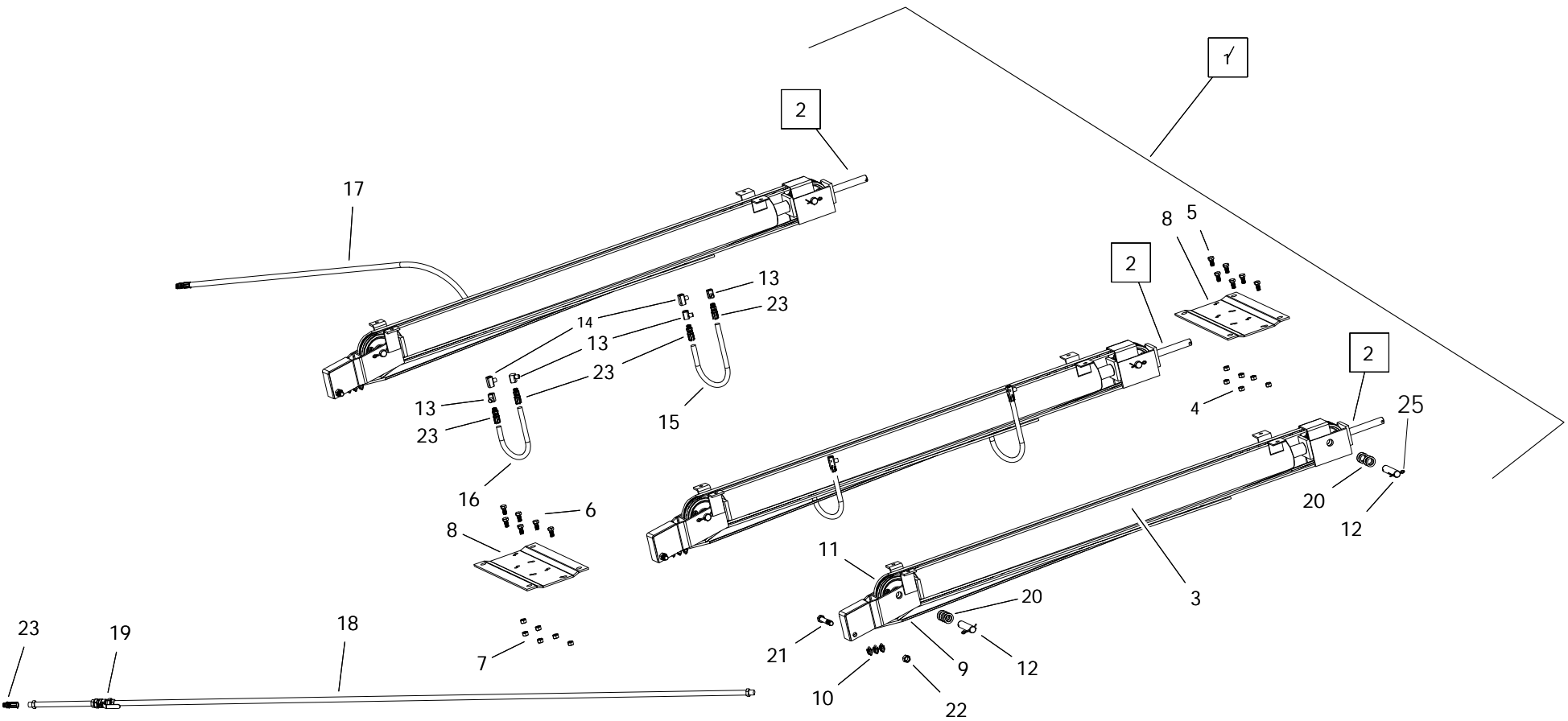
# MKX160-125 FRAME COMPONENTS



# MKX160-125 FRAME COMPONENTS

ITEM	PART NO.	DESCRIPTION
49	10-19975	BOLT, 3/8" X 1-1/4"
50	10-17402	LOCKNUT, 3/8"

# MKX160-85 HYDRAULIC HOSE COMPONENTS



## MKX160-85 HYDRAULIC HOSE COMPONENTS

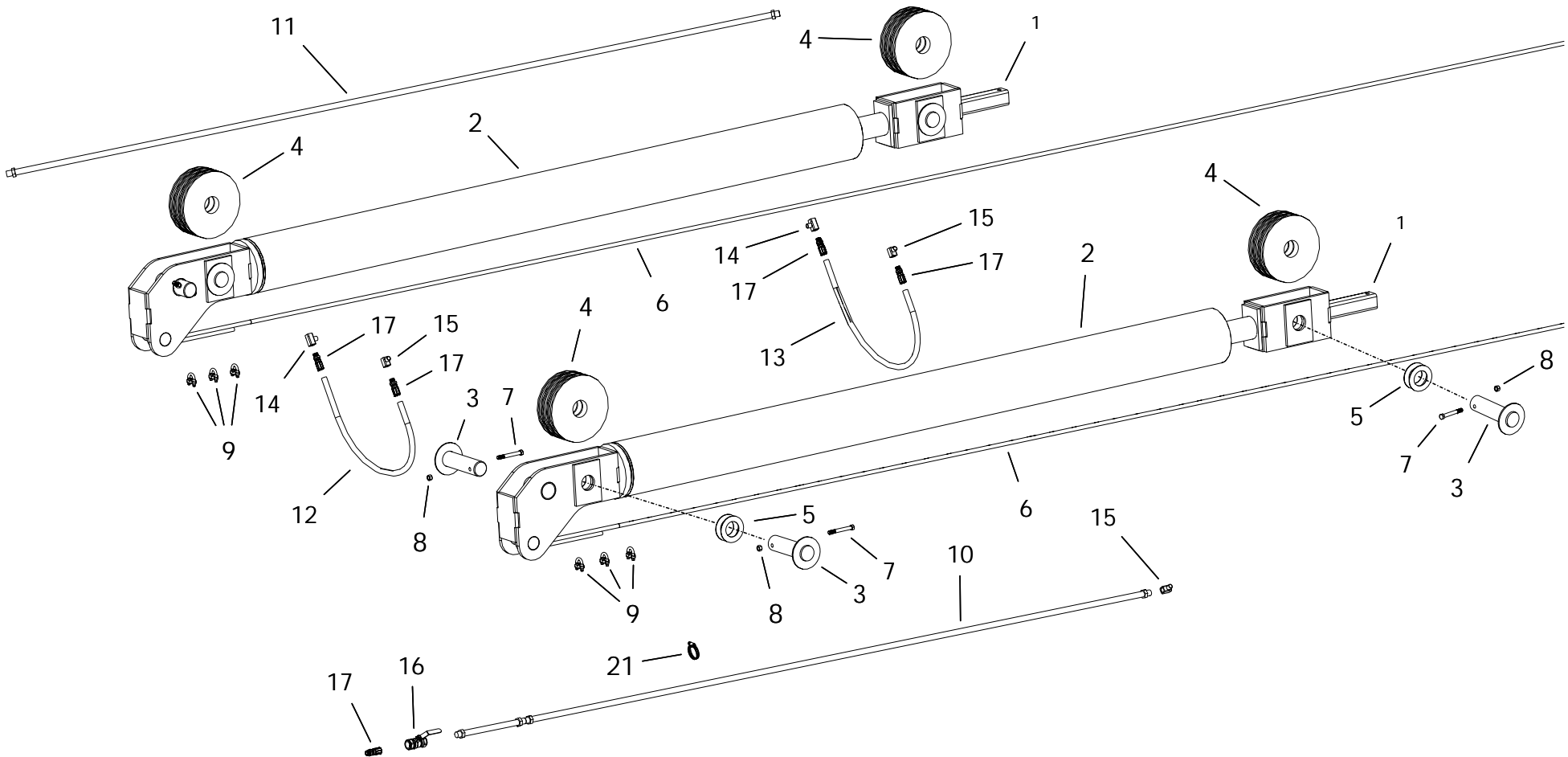
ITEM	PART NO.	DESCRIPTION
1	10-20733	MKX160-85 HYD CYLINDER BDL
2	10-20770	MKX160-85 CYLINDER ASSEMBLY
3	10-17388	MK91 CYLINDER ONLY
4	10-19599	1/2" NC NYLON LOCKNUT GR 2 PLTD
5	10-19588	1/2" X 1-1/4" NC BOLT GR 5 PLTD
6	10-18698	7/16" X 1-1/4" NC BOLT GR 8 PLTD
7	10-17593	7/16" NC NYLON LOCKNUT GR 5 PLTD
8	10-20732	MKX160-85 CYLINDER MOUNT BRACKET
9	4504072	5/16" STEEL CABLE, 90' LONG
10	10-19333	5/16" CABLE CLAMP (YELLOW ZINC)
11	10-19918	PULLEY, 5-1/2" CYLINDER
12	10-18089	PULLEY SPINDLE
13	10-18087	X115-C STREET ELBOW
14	10-18736	3/8" STREET TEE
15	10-17468	3/8" X 32 HYDRAULIC HOSE
16	10-18739	3/8" X 16" HYDRAULIC HOSE
17	10-20758	MKX160X85 CYL RETURN HOSE (396)
18	10-20757	MKX160X 85 CYL HOSE ASSEMBLY
19	10-28475	1/2 BALL VALVE F/FNPT
20	10-18097	1" RIM WASHER PLTD
21	10-18093	5/8" X 3-1/2" NC BOLT GR 5 PLTD
22	10-19600	5/8" NC NYLON LOCKNUT PLTD
23	9900047	PIONEER COUPLER
24	10-18088	P245-6POROUS BRONZE BUSHING (NOT SHOWN)
25	10-18098	1/4" X 1-3/4" COTTER PIN PLTD



## MKX160-105 HYDRAULIC HOSE COMPONENTS

ITEM	PART NO.	DESCRIPTION
1	10-20747	MKX160-105 HYD CYLINDER ASSEMBLY
2	10-20743	MKX160-105/125 HYD CYLINDER ONLY
3	10-20744	MKX160 HYDRAULIC CYLINDER PIN
4	10-20748	MKX160 HYD CYLINDER PULLEY
5	10-20794	MKX160 HYD CYLINDER WASHER
6	10-20797	MKX160 LIFT CABLE
7	10-19547	7/16" X 3-1/2" NC BOLT GR 5 PLTD
8	10-19598	7/16" NC NYLON LOCKNUT GR 2 PLTD
9	10-20606	1/2" CABLE CLAMP (DROP FORGED)
10	10-20759	MKX CYL HOSE ASSEMBLY
11	10-20760	MKX160-105/125 HYD RETURN HOSE
12	10-20795	MKX160 CONN HOSE 1 (1/2" X 36")
13	10-20796	MKX160 CONN HOSE 2 (1/2" X 48")
14	10-28480	STEEL TEE 1/2NPSMX1/2MNPTX1/2NPSM
15	10-28654	#8 M-ORB-1/2F-NPT-90DEG FITTING
16	10-28475	1/2 BALL VALVE F/FNPT
17	9900047	PIONEER COUPLER
18	10-21545	2" X 2-1/4" X 1" POROUS BRONZE BUSHING (NOT SHOWN)
19	10-21546	CYLINDER, SEAL REPAIR KIT (NOT SHOWN)
20	10-21547	CHECK VALVE (NOT SHOWN)
21	1200024	1/4" HOSE CLAMP

MKX160-125 HYDRAULIC HOSE COMPONENTS

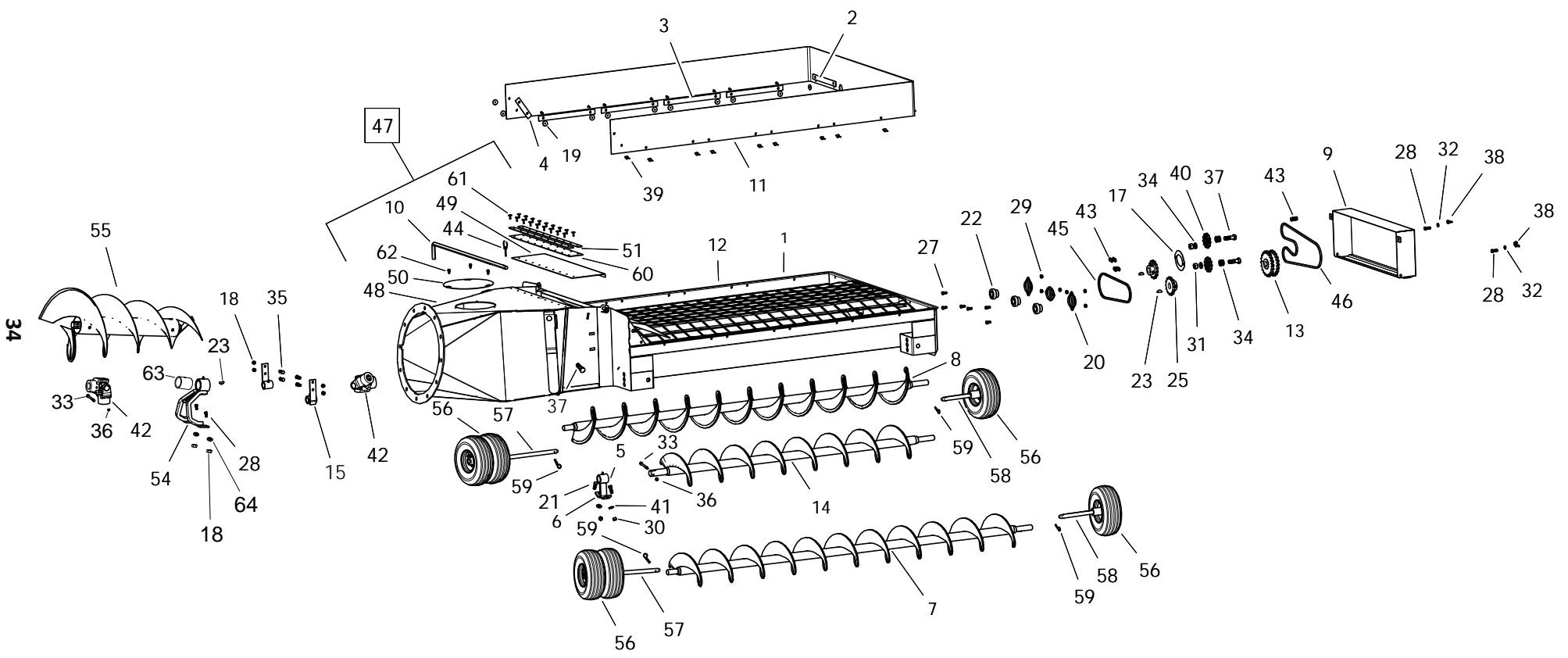




## MKX160-125 HYDRAULIC HOSE COMPONENTS

ITEM	PART NO.	DESCRIPTION
1	10-20799	MKX160-125 HYD CYLINDER ASSEMBLY
2	10-20743	MKX160-105/125 HYD CYLINDER ONLY
3	10-20744	MKX160 HYDRAULIC CYLINDER PIN
4	10-20748	MKX160 HYD CYLINDER PULLEY
5	10-20794	MKX160 HYD CYLINDER WASHER
6	10-20798	MKX160 LIFT CABLE
7	10-19547	7/16" X 3-1/2" NC BOLT GR 5 PLTD
8	10-19598	7/16" NC NYLON LOCKNUT GR 2 PLTD
9	10-20606	1/2" CABLE CLAMP (DROP FORGED)
10	10-20761	MKX CYL HOSE ASSEMBLY
11	10-20762	MKX160-105/125 HYD RETURN HOSE
12	10-20795	MKX160 CONN HOSE 1 (1/2" X 36")
13	10-20796	MKX160 CONN HOSE 2 (1/2" X 48")
14	10-28480	STEEL TEE 1/2NPSMX1/2MNPTX1/2NPSM
15	10-28654	#8 M-ORB-1/2F-NPT-90DEG FITTING
16	10-28475	1/2 BALL VALVE F/FNPT
17	9900047	PIONEER COUPLER
18	10-21545	2" X 2-1/4" X 1" POROUS BRONZE BUSHING (NOT SHOWN)
19	10-21546	CYLINDER, SEAL REPAIR KIT (NOT SHOWN)
20	10-21547	CHECK VALVE (NOT SHOWN)
21	1200024	1/4" HOSE CLAMP

**MKX160 HOPPER COMPONENTS**



## MKX160 HOPPER COMPONENTS

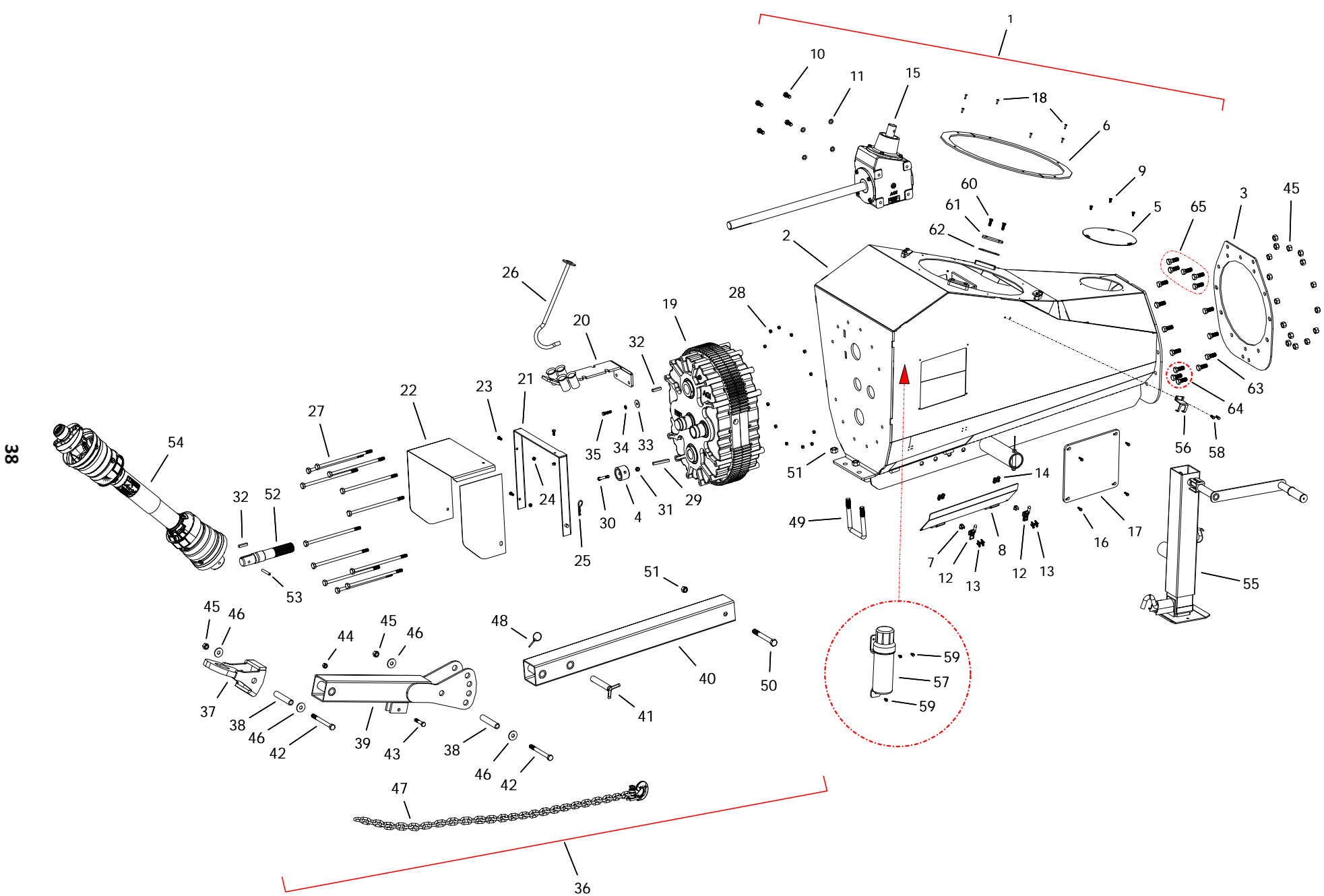
ITEM	PART NO.	DESCRIPTION
1	10-20568	MKX/X16 HOPPER ASSEMBLY
2	10-17358	10-1/2 BELT ATTACH
3	10-18054	13 BELT ATTACH
4	10-18878	4-3/4 STRAP 11843
5	10-20574	MKX160 CENTRE SUPPORT
7	10-20576	MKX160 LONG HOPPER FLIGHT RH
8	10-20577	MKX160 LP HOPPER FLIGHT LH
9	10-20578	MKX160 HOPPER CHAIN COVER
10	10-20579	MKX160 HOPPER DOOR PIN
11	10-20580	MKX160 LP RUBBER BELTING
12	10-20581	MKX160 HOPPER ONLY
13	10-20650	MKX160 DOUBLE SPROCKET COMPLETE
14	10-20651	MKX160 HOPPER CENTER FLIGHT
15	10-20728	MKX160 TOP MOUNT BUSHING ASSY
17	10-20902	MKX160 BEARING SUPPORT PLATE
18	10-17402	3/8" NC NYLON LOCKNUT PLTD
19	10-18186	1" X 13/64" X 18 GA WASHER PLTD
20	10-18694	T52MST ZP FLANGE PLATED FINISH
21	10-18698	7/16" X 1-1/4" NC BOLT GR 8 PLTD
22	10-18817	EFH205-16 BEARING
23	10-19224	1/4" X 1" WOODRUFF KEY
24	10-19225	3/8"UNC-X3/8"SETSCREW REGULAR CUP
25	10-19430	60B14 X 1 SPROCKET
26	10-19433	#60 CONNECTOR LINK
27	10-19538	5/16" X 3/4" NC BOLT GR 2 PLTD
28	10-18955	3/8" X 1" NC BOLT GR 5 PLTD
29	10-19595	5/16" NC SERRATED FLANGE NUT PLTD
30	10-19598	7/16" NC NYLON LOCKNUT GR 2 PLTD
31	10-19600	5/8" NC NYLON LOCKNUT PLTD
32	10-19604	3/8" LOCK WASHER PLTD
33	10-19965	5/16" X 2-3/4" NC BOLT GR 2 PLTD
34	10-19966	5/8" FLAT WASHER PLTD
35	10-19975	3/8" X 1-1/4" NC BOLT GR 5 PLTD
36	10-19980	5/16" NC NYLON LOCKNUT PLTD
37	10-19991	5/8" X 2" NC BOLT GR 8 PLTD
38	10-20082	3/8" WING NUT PLTD
39	10-20399	3/16" X 5/8" GRIP ALUM RIVET
40	10-20638	60X11T 5/8 BORE IDLER SPROCKET
41	10-28485	7/16" SAE WASHER PLTD
42	10-29293	232-25367 SPLINED U-JOINT 14R
43	10-29526	#60 OFFSET LINK
44	10-29998	3/16" X 1-3/8" LINCHPIN
45	10-20754	#60 - 1R X 41P ROLLER CHAIN
46	10-20755	#60 - 1R X 69P ROLLER CHAIN
47	10-20598	MKX/X16 TRANSITION ASSEMBLY
48	10-20766	MKX160 TRANSITION ONLY
49	10-20599	MKX160 TRANSITION DOOR
50	10-20601	MKX160 TRANSITION INSPECTION DOOR
51	10-20695	MKX160 TRANSITION BELT
52	10-19590	5/8" X 1-1/2" NC BOLT GR 8 PLTD



## MKX160 HOPPER COMPONENTS

ITEM	PART NO.	DESCRIPTION
53	10-20837	1-3/4" SAE FLAT WASHER, PLATED
54	10-20589	MKX160 TRANSITION BUSHING ASSY
55	10-20738	MKX160 TRANSITION FLIGHT
56	10-17522	410/350 X 4 PNEUMATIC WHEEL ASSM
57	10-20575	MKX160 LONG AXLE
58	10-17394	MK LP FIXED WHEEL AXLE
59	10-19463	210 HITCH PIN
60	10-20600	MKX16 TRANSITION BELT HINGE
61	10-18185	RIVET, 3/16" X 1/2" GRIP ASF\0621
62	10-19274	#14X5/8" SHEET METAL SCREW AB GR5 PLTD
63	10-21095	1-3/4" ID X 2-1/4" OD X 2" POROUS BRONZE LONG BUSHING
64	10-17392	3/8" FLAT WASHER

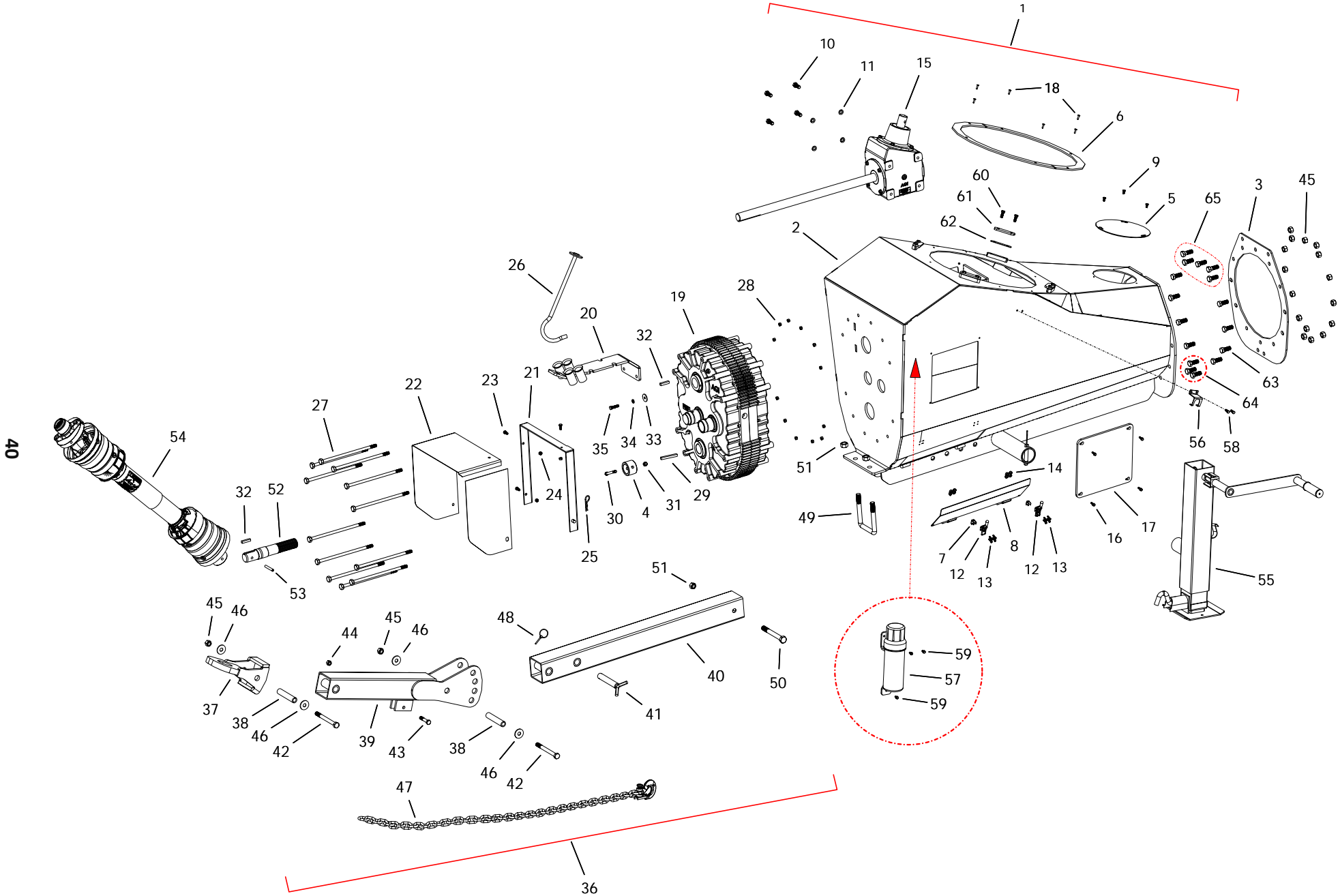
MKX160 BOOT COMPONENTS



## MKX160 BOOT COMPONENTS

ITEM	PART NO.	DESCRIPTION
1	10-20604	MKX/X16 BOOT ASSY
2	10-20603	MKX160 BOOT ONLY
3	10-20679	MKX160 BOOT TUBE ATTACH PLATE
4	10-20680	MKX160 LOWER STOP FLIGHT
5	10-20601	MKX160 TRANSITION INSPECTION DOOR
6	10-20800	MKX160 WEAR PLATE, BOOT
7	10-20053	CATCH
8	10-29982	X13 BOOT CLEANOUT DOOR
9	10-19537	1/4" X 1/2" HEX WSHR HEAD GR 5 PLTD
10	10-19588	1/2" X 1-1/4" NC BOLT GR 5 PLTD
11	10-19605	1/2" LOCK WASHER PLTD
12	10-20052	MA6512230 LATCH AND CATCH
13	10-20335	#8 X 3/4" BOLT PLTD
14	10-20336	#8 LOCKNUT PLTD
15	10-20557	GEARBOX
16	10-20595	#14 X 1" TEK SCREW
17	10-20644	MKX160 PLEXIGLASS SIDE PLATE 3/8"
18	10-20765	3/16"X1/2" BLIND RIVET (SMALL HEAD)
19	10-20558	M2500 SPEED REDUCER
20	10-20705	MKX160 VALVE BRACKET
21	10-20746	MKX160 PTO SHIELD REAR
22	10-20745	MKX160 PTO SHIELD FRONT
23	10-19538	5/16" X 3/4" NC BOLT GR 2 PLTD
24	10-19595	5/16" NC SERRATED FLANGE NUT PLTD
25	10-19463	HAIR PIN
26	10-18537	MK130 TRANSPORT SADDLE
27	10-20777	1/2" X 12" GR5 PLTD
28	10-19599	1/2" NC NYLON LOCKNUT GR 2 PLTD
29	10-18541	3/8" X 3-3/8" SQUARE KEY
30	10-19547	7/16" X 3-1/2" NC BOLT GR 5 PLTD
31	10-19598	7/16" NC NYLON LOCKNUT GR 2 PLTD
32	10-17066	KEY, 1-3/4" X 3/8" SQ.
33	10-20764	MKX160 KEYWAY LOCKWASHER
34	10-19604	3/8" LOCK WASHER PLTD
35	9900637	3/8" X 1-1/2" NC TAP BOLT GR5 PLTD
36	10-20694	TOW BAR ASSEMBLY, 16"
37	10-20610	MKX160 HITCH
38	10-20611	MKX160 TOW BAR BUSHING
39	10-20612	MKX160 SHORT TOW BAR
40	10-20613	MKX160 LONG TOW BAR
41	10-20768	MKX160 TOW BAR PIN
42	10-19591	5/8" X 6-1/2" NC BOLT GR 8 PLTD
43	9900560	1/2" X 2-1/4" NC BOLT GR 5 PLTD
44	10-19599	1/2" NC NYLON LOCKNUT GR 2 PLTD
45	10-19600	5/8" NC NYLON LOCKNUT PLTD
46	10-19966	5/8" FLAT WASHER PLTD
47	10-20836	MK160 SAFETY CHAIN (52" LONG)
48	10-29998	3/16" X 1-3/8" LINCHPIN
49	10-20684	UBOLT SQ 3/4NCX4-1/16X5-3/4 PLT
50	10-19593	3/4" X 6-1/2" NC BOLT GR 8 PLTD

MKX160 BOOT COMPONENTS



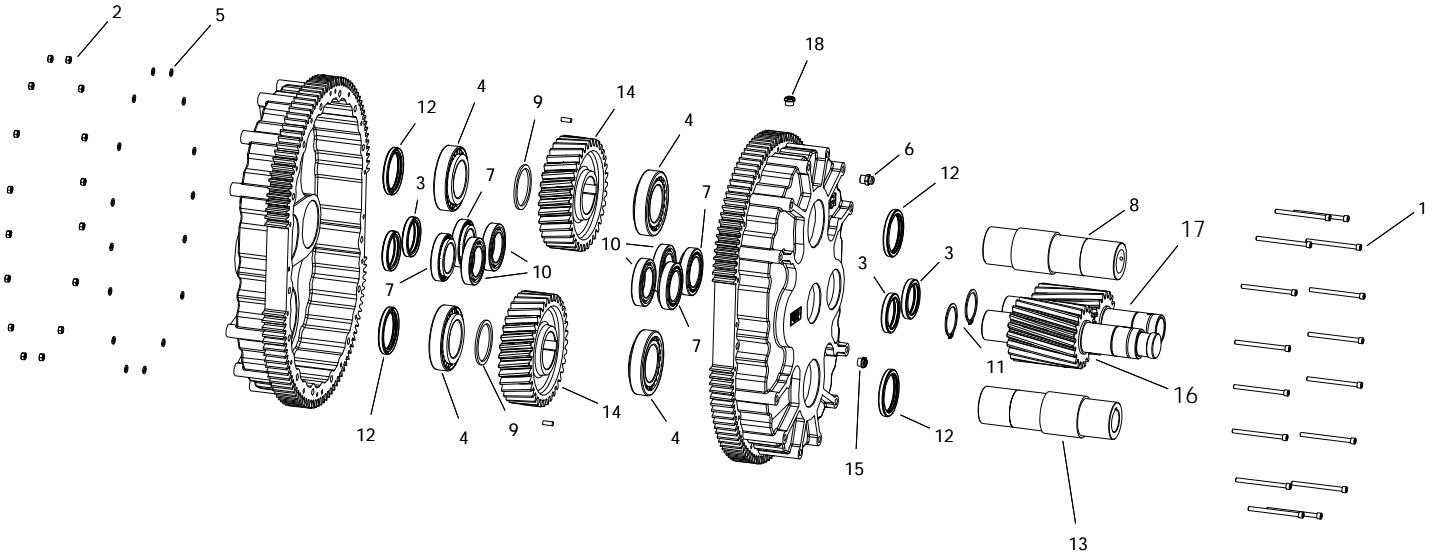
40



## MKX160 BOOT COMPONENTS

ITEM	PART NO.	DESCRIPTION
51	10-19601	3/4" NC NYLON LOCKNUT PLTD
52	10-20605	MKX/X16 REPLACEMENT SPLINED SHAFT
53	10-18546	3/8" X 2-1/2" COILED ROLL PIN
54	10-20560	260-26267E CV-DRIVELINE (BLACK)
55	10-20643	MKX160 JACK
56	10-29994	X13 SHUT OFF VALVE HOLER
57	10-29755	WATERPROOF PLASTIC MANUAL HOLDER
58	9900800	1/4" X 3/4" NC BOLT GR 5 PLTD
59	10-19274	SELF TAPPING SCREW
60	10-18955	BOLT, 3/8" X 1"
61	10-29166	SPOUT HEAD RETAINERS
62	10-29152	LRG BOOT RETAINER SPACER FLEX
63	10-19991	BOLT, 5/8" X 2"
64	10-27589	BOLT, 5/8" X 2-1/2"
65	10-19590	BOLT , 5/8" X 1-1/ 2"

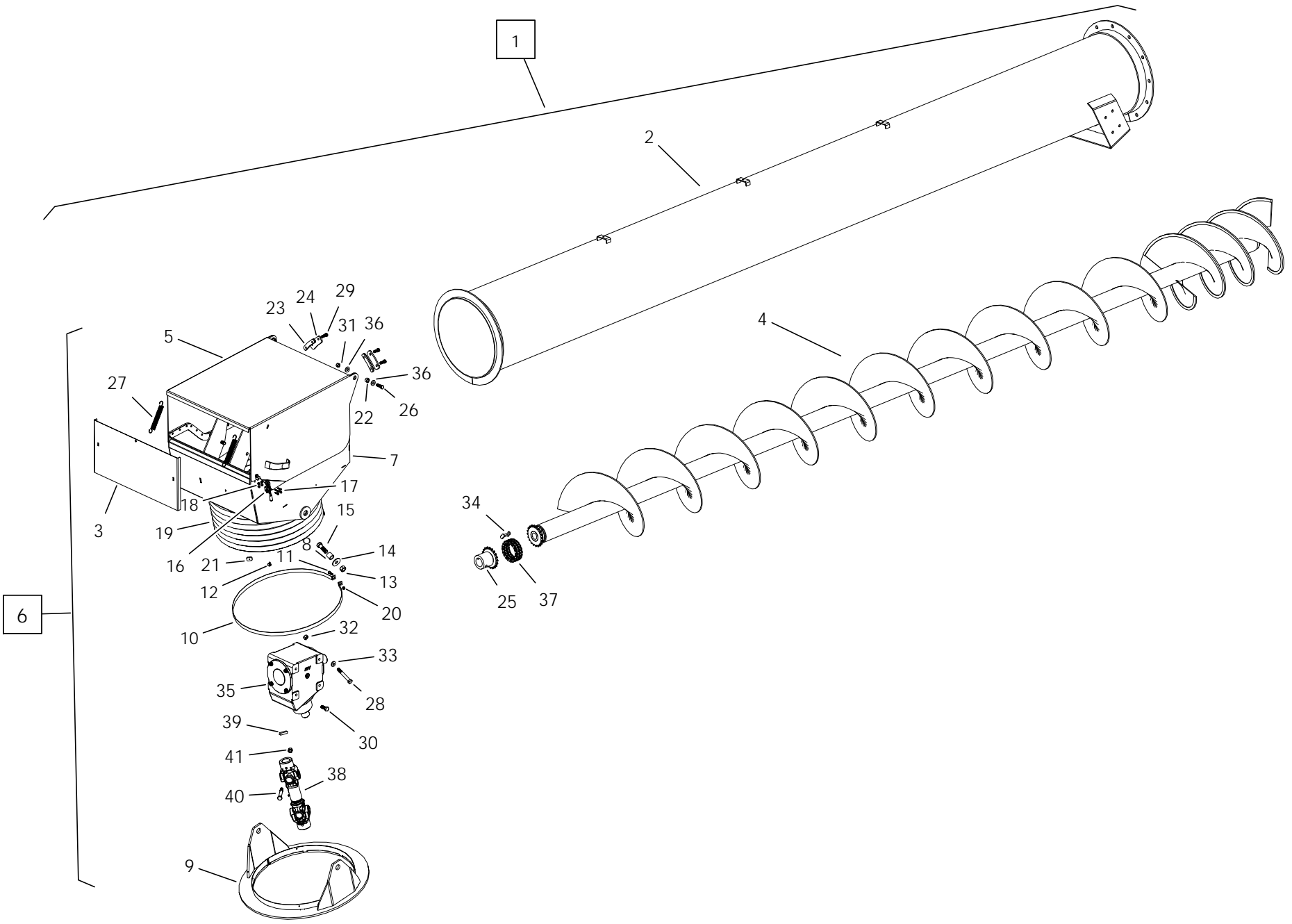
# MKX160 SPEED REDUCER COMPONENTS



ITEM	PART NO.	DESCRIPTION
1	10-21410	SOCKET HEAD CAP SCREW, 5/16" X 4-1/4"
2	10-19595	HEX NUT, 5/16"
3	10-28526	OIL SEAL, 60 X 80 X 12
4	10-21274	ROLLER BEARINGS 32215 (LARGE)
5	10-19603	LOCK WASHER, 5/16"
6	10-21417	INTERNAL HEX PLUG/STEEL PLUG
7	10-21275	ROLLER BEARINGS 32012 (SMALL)
8	10-21277	OUTPUT SHAFT
9	10-21413	SHIM, Ø75.5X90X4
10	10-21276	BALL BEARING 6012
11	10-21414	SNAP RING, Ø60 X 2
12	10-28527	OIL SEAL, 75 X 95 X 10
13	10-21406	OUTPUT SHAFT
14	10-21407	OUTPUT GEAR 35T
15	10-21419	EXTERNAL HEX OIL LEVER PLUG, ZG3/8"-18
16	10-21408	MIDDLE GEAR SHAFT RIGHT HAND
17	10-21409	INPUT GEAR SHAFT 20T
18	10-21420	VENT PLUG
19	10-29272	LOCKING SYSTEM KIT (NOT SHOWN)

**This page intentionally left blank.**

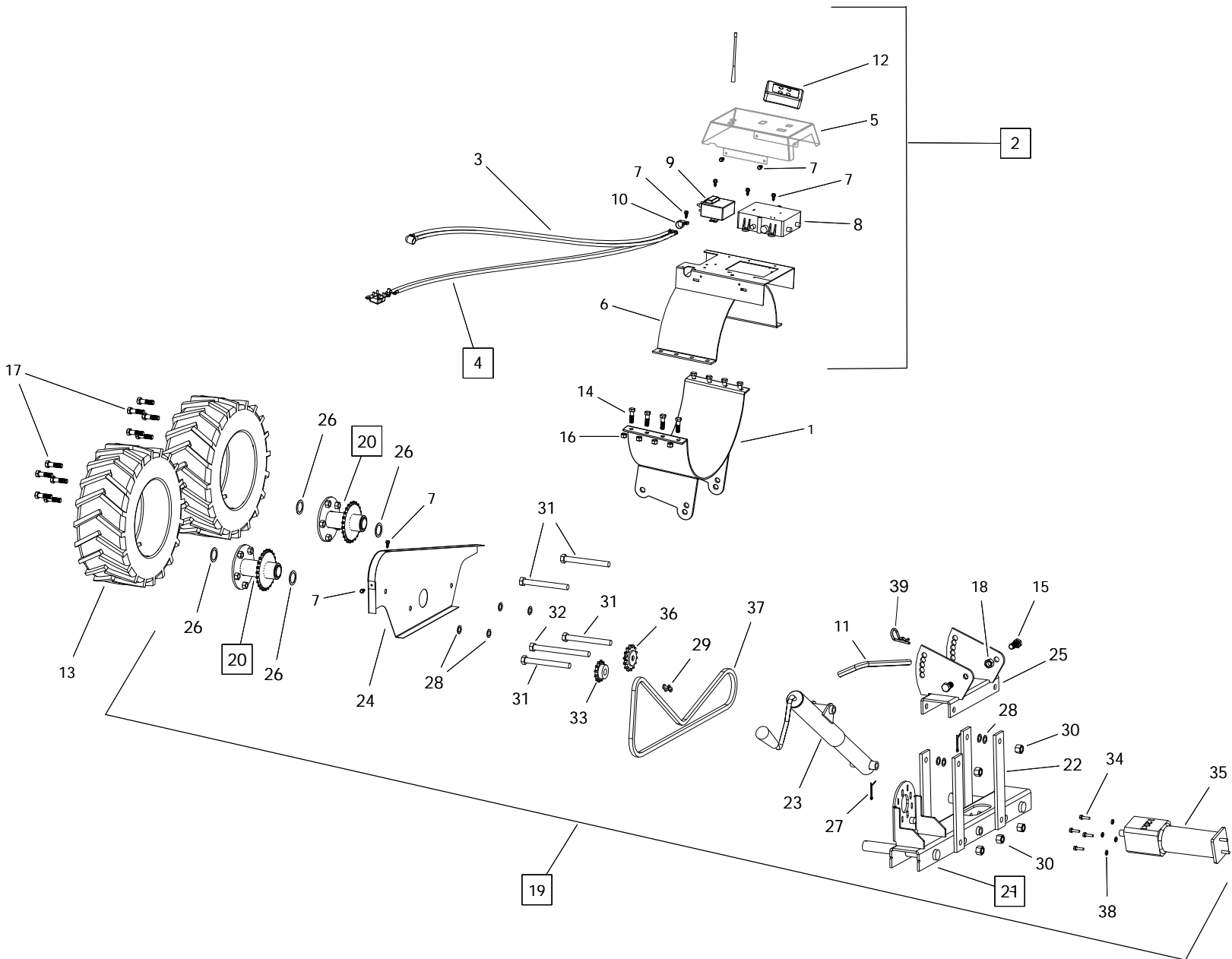
MKX160 SWING TUBE COMPONENTS



## MKX160 SWING TUBE COMPONENTS

ITEM	PART NO.	DESCRIPTION
1	10-20713	MKX/X160 SWING TUBE BUNDLE
2	10-20587	MKX160 SWING TUBE ONLY
3	10-20591	MKX160 SPOUT HEAD DOOR
4	10-20592	MKX160 SWING FLIGHT
5	10-20593	MKX160 SPOUT HEAD COVER
6	10-20597	MKX/X16 SPOUT HEAD ASSY
7	10-20590	MKX160 SPOUT HEAD ONLY
8	10-20596	MKX160 SPOUTHEAD BUSHING
9	10-20671	MKX160 SPOUT HEAD BASE
10	10-20756	MKX160 SPOUT HEAD STRAP
11	10-18091	5/16" X 1" NC BOLT GR 2 PLTD
12	10-18185	ASF\0621 RIVET (LARGE FLANGE)
13	10-19600	5/8" NC NYLON LOCKNUT PLTD
14	10-19966	5/8" FLAT WASHER PLTD
15	10-19991	5/8" X 2" NC BOLT GR 8 PLTD
16	10-20052	MA6512230 LATCH AND CATCH
17	10-20335	#8 X 3/4" BOLT PLTD
18	10-20336	#8 LOCKNUT PLTD
19	10-20559	20" X 16" LONG FLEX HOSE
20	10-19980	5/16" NC NYLON LOCKNUT PLTD
21	10-29252	DUCTING SECURE TAB, FLEX
22	10-27889	LEVELLER BUSHING TF
23	10-29152	LRG BOOT RETAINER SPACER FLEX
24	10-29166	SPOUT HEAD RETAINER, MK FLEX
25	10-29992	MKX/X13 & MKX16 GEARBOX CONNECTOR
26	10-18698	7/16" X 1-1/4" NC BOLT GR 8 PLTD
27	10-18728	EXTENSION SPRING
28	10-18947	1/2" X 4" NC BOLT GR 8 PLTD
29	10-18955	3/8" X 1" NC BOLT GR 5 PLTD
30	10-19588	1/2" X 1-1/4" NC BOLT GR 5 PLTD
31	10-19598	7/16" NC NYLON LOCKNUT GR 2 PLTD
32	10-19599	1/2" NC NYLON LOCKNUT GR 2 PLTD
33	10-19605	1/2" LOCK WASHER PLTD
34	10-20048	#50 DOUBLE CONNECTOR LINK
35	10-20556	GEARBOX
36	10-28485	7/16" SAE WASHER PLTD
37	10-29895	#50-19P DOUBLE ROLLER CHAIN
38	10-20561	242-26278E COUPLER SHAFT (BLACK)
39	10-17066	KEY, 1-3/4" X 3/8" SQ.
40	10-28746	3/8" X 3-1/4" NC BOLT GR 5 PLTD
41	10-17402	3/8" LOCKNUT PLTD

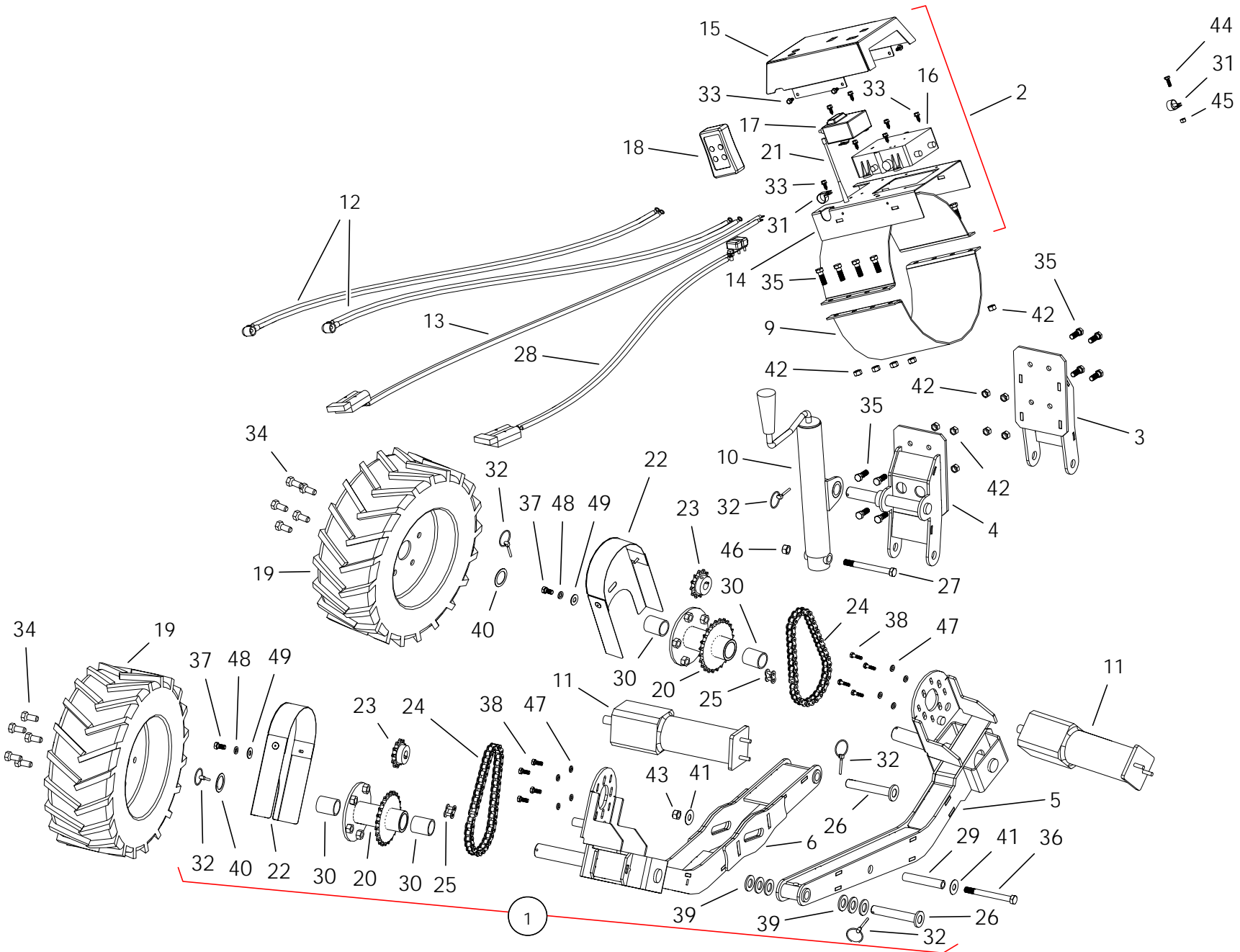
# MKX160 ELECTRIC POWER SWING COMPONENTS



## MKX160 ELECTRIC POWER SWING COMPONENTS

ITEM	PART NO.	DESCRIPTION
1	10-20889	16" BOTTOM CLAMP - POWERSWING
2	10-20893	ASSY, 16" P/S TOP CLAMP RECIEVER
3	10-20168	WIRE HARNESS - CONTACTOR TO MOTOR
4	10-20169	WIRE HARNESS - CONTACTOR TO BATTERY
5	10-20178	COVER, PS RECEIVER ARMOR - POWERSWING
6	10-20888	16" TOP CLAMP W.A. RC - POWERSWING
7	10-19274	#14 X 5/8" SMS AB GR 5 PLTD
8	10-20135	9200RX RECIEVER
9	10-20136	9824 CONTACTOR
10	10-20268	5/8 X 1/2 INSULATED CLAMP
11	10-20895	POWERSWING ADJUST PIN, PLATED
12	10-20134	92102TX TRANSMITTER
13	10-20137	16 X 6.5 5 BOLT WHEEL ASSM
14	10-18698	7/16" X 1-1/4" NC BOLT GR 8 PLTD
15	10-19590	5/8" X 1-1/2" NC BOLT GR 8 PLTD
16	10-19598	7/16" NC NYLON LOCKNUT GR 2 PLTD
17	10-20565	1/2" X 1" NF #5 WHEEL BOLT
18	10-27588	5/8" NC SERRATED FLANGE NUT PLTD
19	10-20890	16" ELECTRIC PS AXLE, AS SHIPPED
20	10-20166	ASSY HUB, W/BUSHING
21	10-20173	AXLE ASSY, POWER SWING
22	10-20174	PLATE, PARALLEL BAR - POWERSWING
23	10-20179	JACK, POWERSWING
24	10-20180	GUARD, POWERSWING
25	10-20892	PIVOT - POWERSWING, HOLES
26	10-17651	1-1/4" RIM WASHER PLTD
27	10-17757	3/16" X 1-3/4" COTTER PIN PLTD
28	10-18096	5/8" RIM WASHER PLTD
29	10-19134	#50 CONNECTOR LINK
30	10-19600	5/8" NC NYLON LOCKNUT PLTD
31	10-20163	5/8" X 6" NC BOLT GR 5 PLTD
32	10-20164	5/8" X 7-1/2" NC BOLT GR 8 PLTD
33	10-20210	50B12 X 3/4 SPROCKET
34	10-20445	1/4" X 1" NC BOLT GR 8 PLTD
35	10-20753	MOTOR, 12V DC 120:1 RATIO
36	10-29894	50C15 X 5/8 IDLER SPROCKET
37	10-20515	#50 - 1R X 109P ROLLER CHAIN (W/ CONNECTOR LINK)
38	9900783	1/4" LOCKWASHER PLTD
39	10-19463	HAIR PIN

ELECTRIC LANDING GEAR POWER SWING - 16"

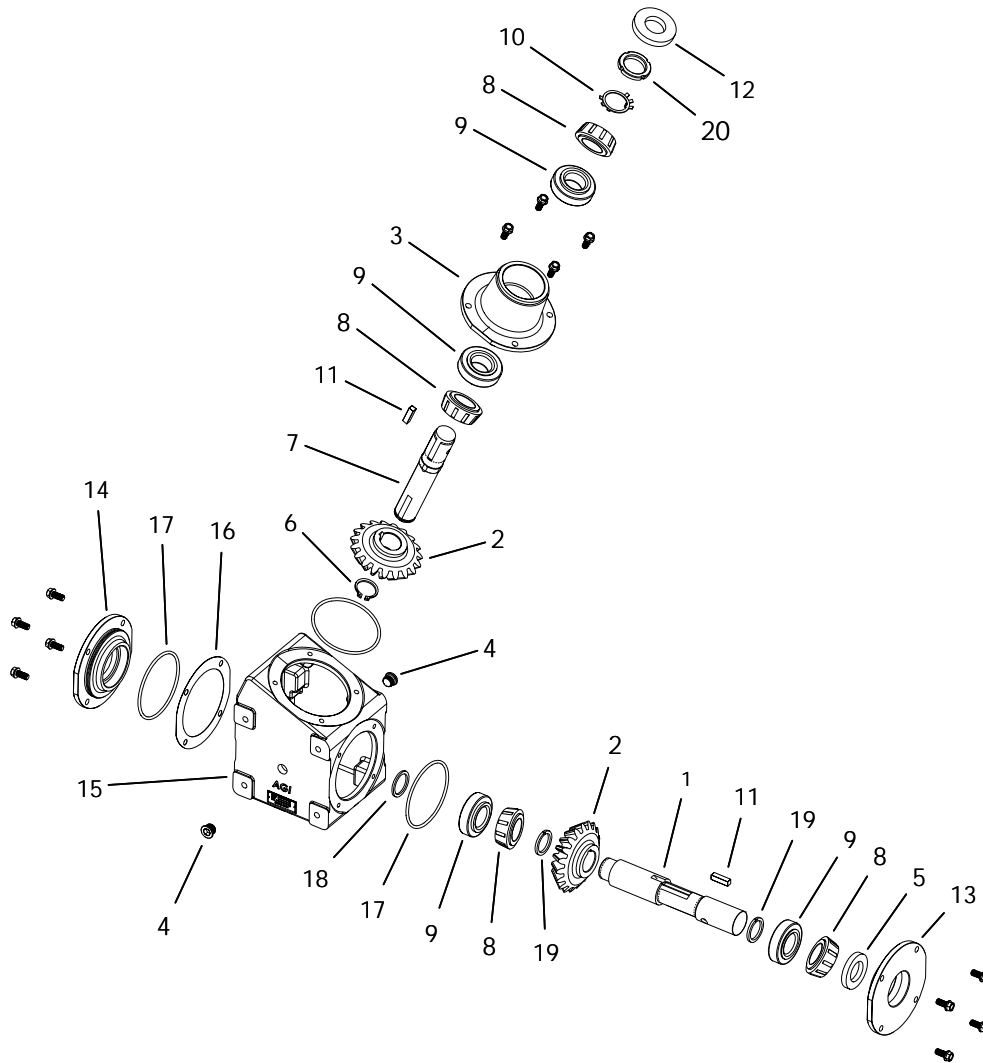




## ELECTRIC LANDING GEAR POWER SWING - 16"

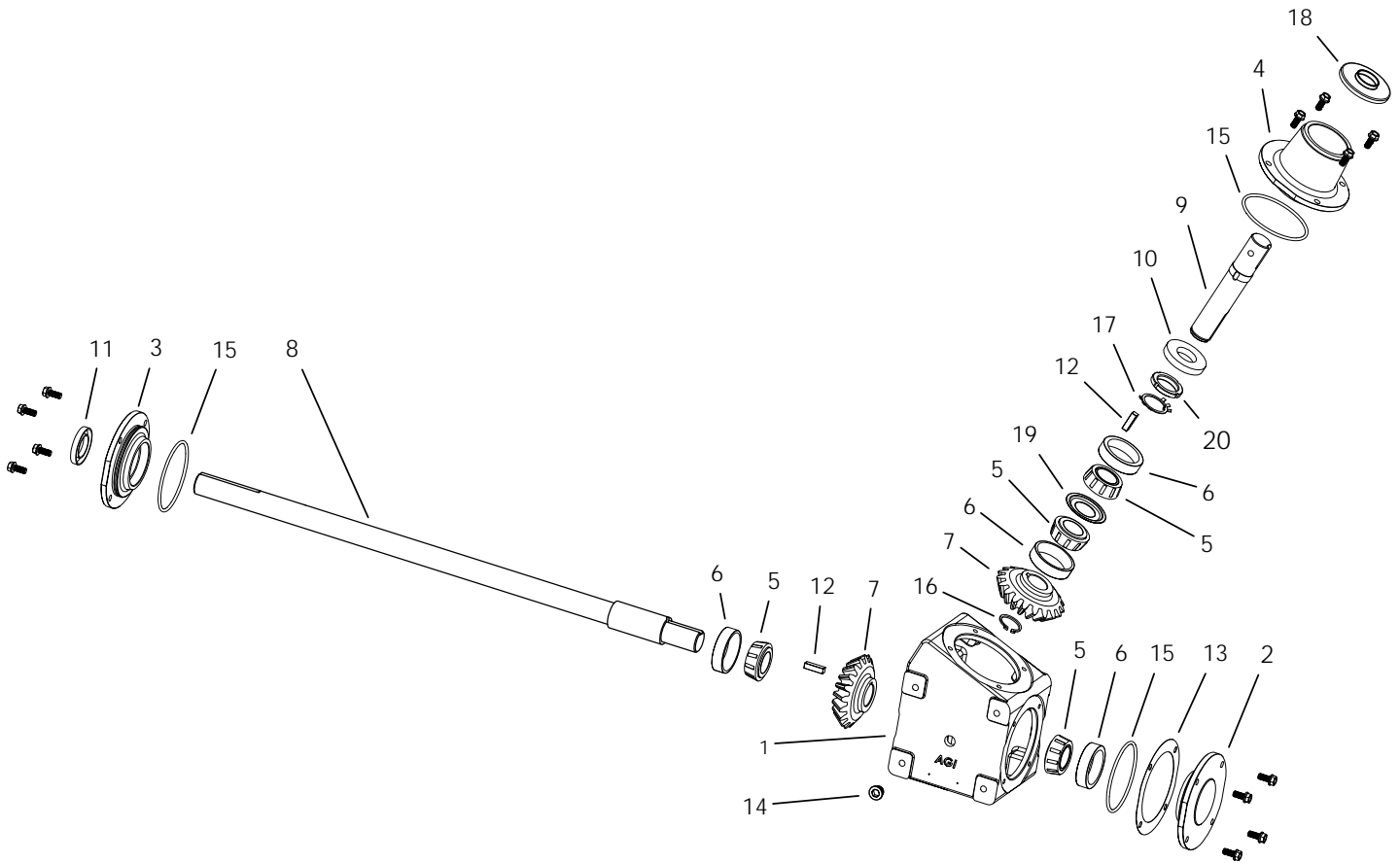
ITEM	PART NO.	DESCRIPTION
1	10-22563	LANDING GEAR PS ELEC ASSEMBLY
2	10-20893	ASSY, 16" P/S TOP CLAMP RECEIVER
3	10-22554	ATTACH, RH, MKX/X130 LGPS
4	10-22553	MANUAL JACK ATTACH, MKX/X130 LGPS
5	10-22562	SHORT X-ARM, RH, LGPS
6	10-22564	SHORT X-ARM, LH, LGPS
9	10-22745	16" HITCH RING
10	10-22555	JACK, MANUAL, LANDING GEAR PS
11	10-20138	MOTOR, 12V DC
12	10-20168	WIRE HARNESS - CONTACTOR TO MOTOR
13	10-22582	WIRE HARNESS, BATTERY TO QUICK CONNECT
14	10-20888	16" TOP CLAMP W.A. RC - POWERSWING
15	10-20178	COVER, PS RECEIVER ARMOR - POWERSWING
16	10-20135	RECEIVER
17	10-20136	CONTACTOR
18	10-20134	TRANSMITTER
19	10-20137	POWERSWING 5 BOLT WHEEL ASSEMBLY
20	10-20166	ASSY HUB, W/ BUSHING
21	10-20524	ANTENNA
22	10-22164	CHAIN GUARD, LANDING GEAR
23	10-20210	50B12 X 3/4 SPROCKET
24	10-19133	#50-1R X 37P ROLLER CHAIN
25	10-19134	#50 CONNECTOR LINK
26	10-22168	PIN, LANDING GEAR
27	10-27815	BOLT, 5/8" X 4" NC PLTD
28	10-20169	WIRE HARNESS - CONTACTOR TO BATTERY
29	10-22187	SLIDER BUSHING, LANDING GEAR
30	10-19776	BUSHING, 1-1/4"
31	10-20268	5/8 X 1/2 INSULATED CLAMP
32	10-29998	3/16" X 1-3/8" LINCHPIN
33	10-19274	#14 X 5/8" SMS AB GR 5 PLTD
34	10-20565	1/2" X 1-1/8" NF #5 WHEEL BOLT
35	10-18698	7/16" X 1-1/4" NC BOLT GR 8 PLTD
36	9900564	1/2" X 5" UNC BOLT GR5 PLTD
37	10-19540	3/8" X 3/4" NC BOLT GR5 PLTD
38	10-19988	1/4" X 1" NC BOLT GR2 PLTD
39	10-19979	3/4" FLAT WASHER PLTD
40	10-17651	1-1/4" RIM WASHER
41	10-17401	1/2" FLAT WASHER PLTD
42	10-17593	7/16" NC NYLON LOCKNUT GR5 YLW PLTD
43	10-19599	1/2" NC NYLON LOCKNUT GR 2 PLTD
44	9900800	1/4" X 3/4" NC BOLT GR5 PLTD
45	10-28449	1/4" NC NYLON LOCKNUT PLTD
46	10-19600	LOCKNUT, 5/8"
47	9900783	1/4" LOCK WASHER
48	10-19604	3/8" LOCK WASHER
49	10-17392	3/8" FLAT WASHER

# MKX160 UPPER GEARBOX (20556) COMPONENTS



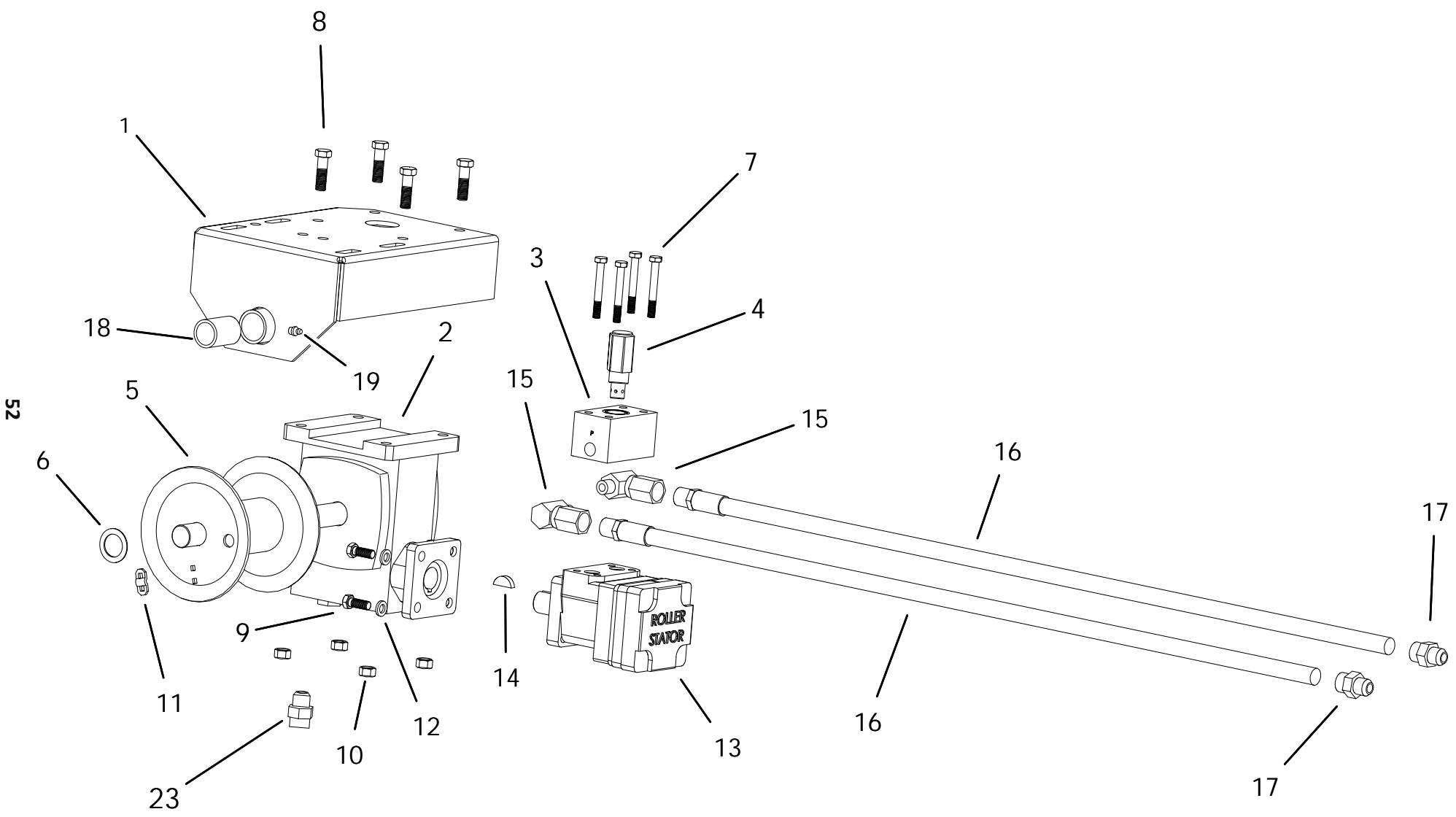
ITEM	PART NO.	DESCRIPTION
1	10-20588	SHAFT, CROSS
2	10-21382	GEAR, DP 4 TEETH 19
3	10-21379	QUILL
4	10-21388	PIPE PLUG, 3/4" UNF
5	10-21386	SEAL (1.50 X 2.56 X 0.374)
6	10-27708	SNAP RING
7	10-20652	SHAFT, QUILL
8	10-21380	BEARING CONE
9	10-21381	BEARING CUP
10	10-21391	RETAINING SHIM
11	10-21994	SQUARE KEY, 3/8" X 1-1/2"
12	10-21385	SEAL (1.50 X 3.00 X 0.472)
13	10-21378	END CAP
14	10-21377	END CAP
15	10-21376	HOUSING
16	10-21387	GASKET
17	10-21389	O-RING
18	10-27694	SPACER
19	10-22020	RETAINER RING, 38 X 4
20	10-21961	LOCKNUT, M40 X 1.5

# MKX160 LOWER GEARBOX (20557) COMPONENTS



ITEM	PART NO.	DESCRIPTION
1	10-21376	HOUSING
2	10-21377	END CAP
3	10-21378	END CAP
4	10-21379	QUILL
5	10-21380	BEARING CONE
6	10-21381	BEARING CUP
7	10-21382	GEAR, DP 4 TEETH 19
8	10-20628	SHAFT CROSS
9	10-20629	SHAFT, QUILL
10	10-21385	SEAL (1.50X3.00X0.472)
11	10-21386	SEAL (1.50X2.56X0.374)
12	10-21994	SQUARE KEY, 3/8" X 1-1/2"
13	10-21387	GASKET
14	10-21388	PIPE PLUG, 3/4" UNF
15	10-21389	O-RING
16	10-27708	SNAP RING
17	10-21391	RETAINING SHIM
18	10-21541	DEFLECTOR SHIELD
19	10-21542	GREASE WASHER
20	10-21961	LOCKNUT, M40 X 1.5

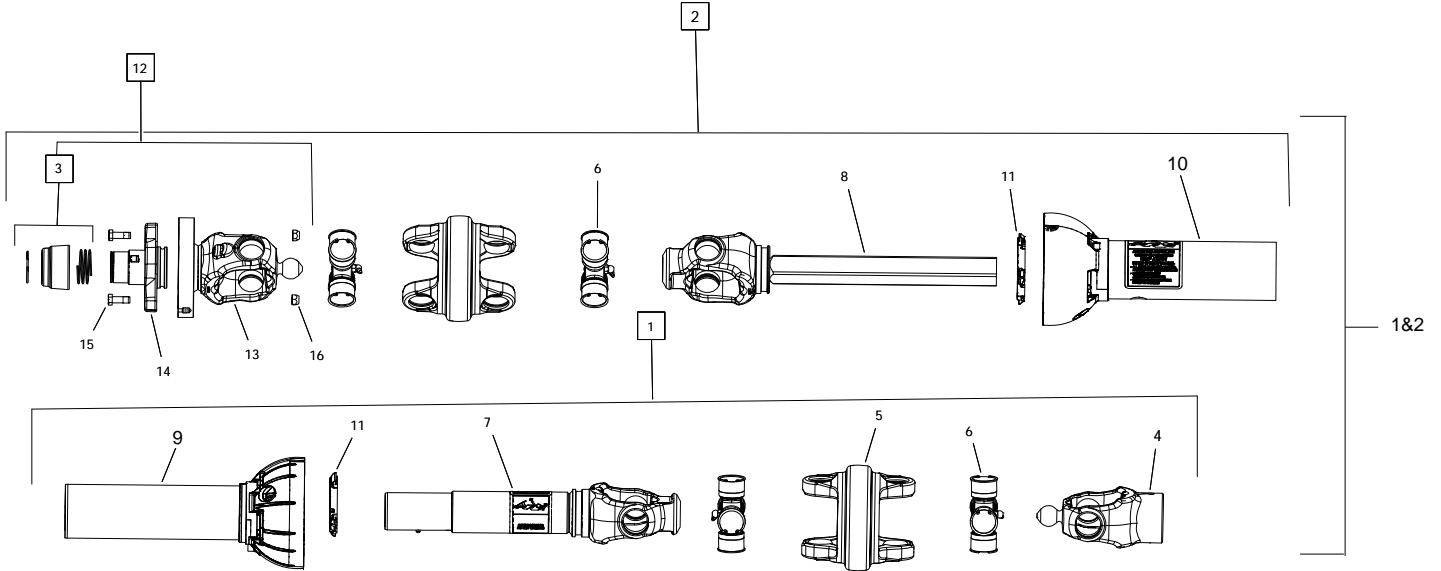
**MKX160 HYDRAULIC WINCH COMPONENTS**



## MKX160 HYDRAULIC WINCH COMPONENTS

ITEM	PART NO.	DESCRIPTION
1	10-17628	WINCH FRAME
2	10-17625	GEAR BOX W/INTEGRAL MOTOR MOUNT
3	10-28221	MANIFOLD WINCH RELIEF BLOCK
4	10-28222	VALVE WINCH NON-ADJ RELIEF MANIFOLD
5	10-17629	HYD WINCH DRUM
6	10-18097	1" RIM WASHER
7	10-17631	BOLT, 5/16" X 2-1/2" NC GR2 PLTD
8	10-28744	BOLT, 7/16" X 1-1/2" GR5 PLTD
9	10-18955	BOLT, 3/8" X 1" NC GR 5 PLTD
10	10-17593	NYLON LOCKNUT, 7/16" PLTD
11	10-18496	ROPE KEEPER KIT
12	10-19604	LOCKWASHER, 3/8"
13	10-17626	HYDRAULIC MOTOR 3.2, MANIFOLD, KEYED
14	10-19224	WOODRUFF KEY, 1/4 X 1
15	1100625	STEEL ELBOW 90, 1/2FNPSMX3/8MNPT
16	10-29426	HYD HOSE 1/2" X 226"
17	9900047	PIONEER COUPLER
18	10-19149	BUSHING, 1" ID X 1-1/4" OD OILITE
19	10-19222	GREASE NIPPLE, 5/16" PRESS IN
20	10-19975	BOLT, 3/8"X1-1/4" NC GR5 PLTD (NOT SHOWN)
21	10-19596	3/8" NC SERRATED FLANGE NUT PLTD (NOT SHOWN)
22	10-17392	3/8" FLAT WASHER PLTD (NOT SHOWN)
23	10-21496	STEEL PIPE PLUG, M16 X 1.5

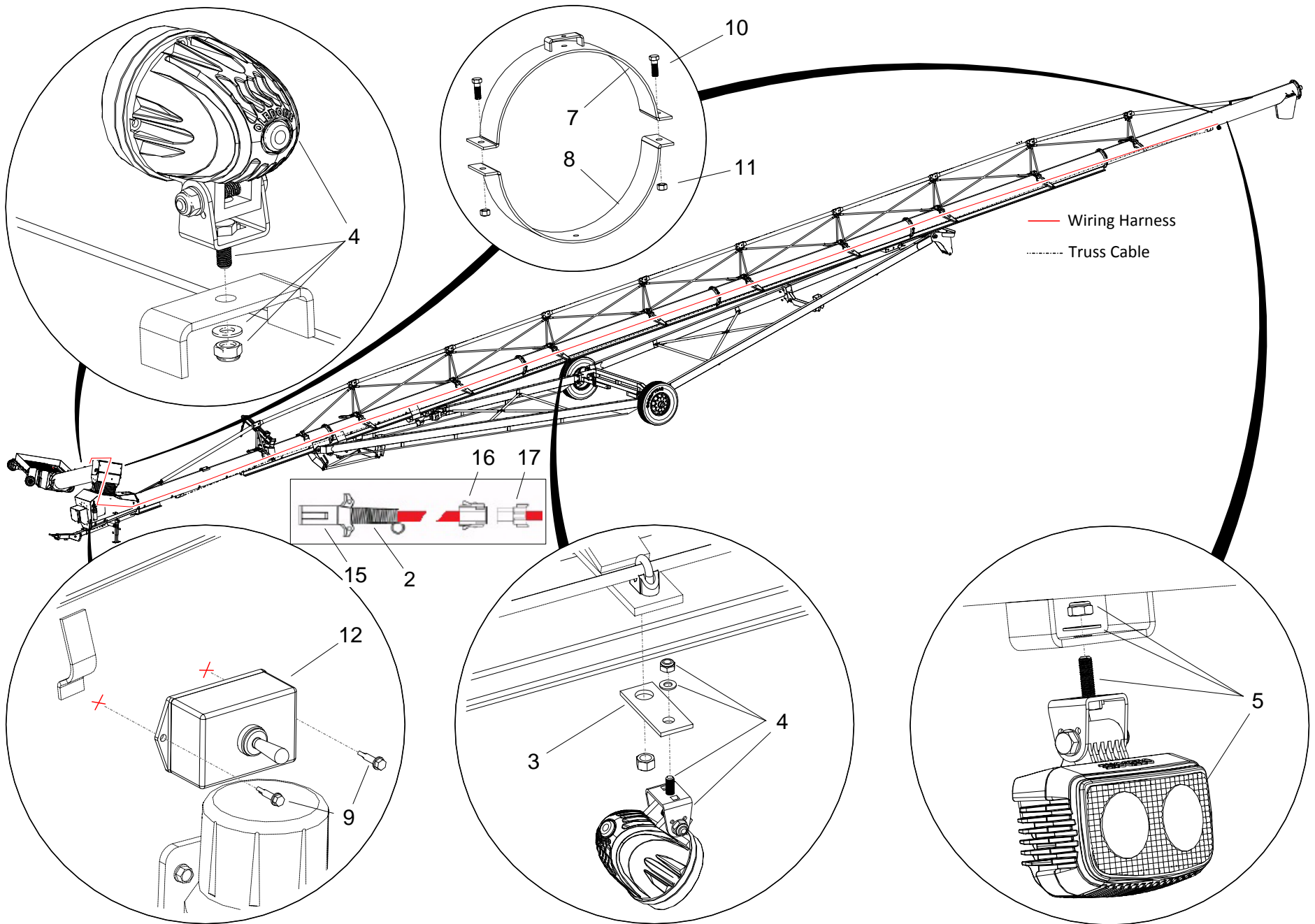
# MKX160 PTO SHAFT COMPONENTS



ITEM	PART NO.	DESCRIPTION
1	10-21437	1/2 PTO SHAFT, IMPLEMENT END
2	10-21438	1/2 PTO SHAFT, TRACTOR END
3	10-21439	SPRING LOCK REPAIR KIT
4	10-17551	END YOKE
5	10-17550	CV CENTER HOUSING
6	10-17547	UNIVERSAL JOINT REPAIR KIT
7	N/A	YOKE, TUBE & SUP SLEEVE
8	N/A	YOKE & SHAFT (1.31 SQUARE)
9	10-21964	INNER GUARD
10	10-21965	OUTER GUARD
11	10-21966	NYLON BEARING
12	10-21440	SHEAR ASSEMBLY (20-SPLINE)
12A	10-21441	SHEAR ASSEMBLY (21-SPLINE)
13	N/A	SHEAR FLANGE HUB
14	N/A	SHEAR FLANGE YOKE
15	10-18454	BOLT, 3/8" X 1" GR8
16	10-19996	LOCKNUT, 3/8"
1&2	10-20560	MKX160 PTO SHAFT, DOUBLE CV

**This page intentionally left blank.**

# WORK LIGHT KIT (MKX160-85, 105 & 125)





## WORK LIGHT KIT (MKX160-85, 105 & 125)

ITEM	PART NO.	DESCRIPTION
1	10-22697	WORK LIGHT HARNESS, 85
1A	10-22699	WORK LIGHT HARNESS, 105
1B	10-22701	WORK LIGHT HARNESS, 125
2	10-22687	TRACTOR PLUG EXTENSION HARNESS
3	10-22286	TRANSPORT CHAIN LUG
4	10-22394	MINI FLOOD LAMP, LEDWD-1L10 (INCLUDES HARDWARE)
5	10-22395	FLOOD LAMP, LEDWD-2L20 (INCLUDES HARDWARE)
7	10-22706	LIGHT HALF CLAMP, 16"
8	10-22429	HALF CLAMP, 16"
9	10-22396	8-18 X 3/4" TEK SCREW
10	10-18698	BOLT, 7/16" X 1-1/4"
11	10-19598	LOCKNUT, 7/16"
12	10-22399	SWITCH BOX ONLY
13	10-22427	LEAD CONNECTOR, DEUTSCH DT06-2S (NOT SHOWN)
14	10-22446	BUSS AGC 20A FUSE (NOT SHOWN)
15	10-23123	7 PIN AG PLUG
16	10-23124	8 WAY PLUG, AT06-08SA
17	10-23125	8 WAY RECEPTACLE, AT04-08PA
18	10-23126	WEATHER PACK TOWER, 6 POS (NOT SHOWN)
19	10-23127	WEATHER PACK SHROUD, 6 POS (NOT SHOWN)
20	10-23128	DEUTSCH 2 WAY CAP, 1011-344-0205 (NOT SHOWN)
21	05-A354	MKX1685 WORK LIGHT KIT
21A	05-A356	MKX16105 WORK LIGHT KIT
21B	05-A358	MKX16125 WORK LIGHT KIT

**WESTFIELD** 

P.O. Box 39

Rosenort, Manitoba, R0G 1W0 Canada

Phone: (866) 467-7207 (Canada & USA) or (204) 746-2396

Fax: (866) 768-4852

website: [www.grainaugers.com](http://www.grainaugers.com)

email: [sales@grainaugers.com](mailto:sales@grainaugers.com)

© Ag Growth International Inc. 2017

Printed in Canada

**AGI** 