



42' - 60' DIA. COMMERCIAL BIN CONSTRUCTION MANUAL 15K & 30K Roof

Roof rating is based on weight evenly distributed on peak ring as pure vertical load with uniformly distributed roof snow load calculated from 40psf ground snow zone or 90 mph wind zone as defined by ASCE7-05 Code.



<u>DATES</u>	<u>REVISIONS</u>	<u>SECTION</u>
03/2016	– Updated warranty	
03/2016	– Updated safety messages throughout	
03/2016	– Updated bin loading & spout length guidelines	Operation & Management
03/2016	– Updated external roof ring & octagon lid installation instructions	Roof
03/2016	– Updated poly roof vent assembly instructions	Roof
03/2016	– Added notes on sidewall reinforcement and overlapping base angle pieces	Sidewall
03/2016	– Updated 30" x 60" door installation instructions	Doors
03/2015	– Updated roof sheet support heights	Roof

Sukup Manufacturing Co.

1555 255th Street, Box 677

Sheffield, Iowa, USA 50475-0677

Date: 04/2016

Order:

Bin:

Customer: SAMPLE

©Sukup Manufacturing Co.

Phone: 641-892-4222

Fax: 641-892-4629

Website: www.sukup.com E-mail: info@sukup.com

IMPORTANT: KEEP GALVANIZED SHEETS DRY BEFORE ERECTING!

If this material is allowed to get wet or condensation is permitted to form between sheets, deterioration will occur.

- Upon receiving material, check for moisture between sheets. Do not permit moisture from weather, condensation or other sources to remain between sheets.
- To help prevent white rust, store sheets away from moisture. Store under cover in a heated building with adequate air circulation if lengthy storage or adverse weather conditions are expected. Never allow water to stand on sheets or bundles.
- Sheets covered with tarpaulin or polyethylene should have enough space between cover and sheets to allow air to circulate.
- If bundle gets wet, dry all materials immediately. Stack sheets on edge in a dry place and force air between them. Allow for free passage of air around each sheet when practical.
- NEVER lay steel on earth. Store on timber or blocks. Always store material on a dry, solid surface in a manner that allows moisture to run off of material.

Damage resulting from failure to take appropriate actions listed above will void Sukup Manufacturing Co. warranty.

8/04/15

L0560



Sukup Manufacturing Co.

PO Box 677 Sheffield, IA USA 50475

Phone: 641-892-4222 Fax: 641-892-4629

E-mail: Info@sukup.com Visit us at: www.sukup.com

GRAIN BIN LIMITED WARRANTY

SUKUP MANUFACTURING CO. (Sukup) warrants, to original retail purchaser within 5 years from date of purchase, that grain bin shall be free from defects in material and workmanship. A part will not be considered defective if it substantially fulfills performance specifications. This includes cosmetic (appearance) issues that will not affect life of the structure. Should any part prove defective within warranty period, part will be replaced without charge F.O.B. Sukup Manufacturing Co., Sheffield, Iowa USA or Distribution Centers - Arcola, Illinois; Aurora, Nebraska; Defiance, Ohio; Jonesboro, Arkansas; Cameron, Missouri; Watertown, South Dakota. To obtain warranty, a copy of original invoice is required.

WARRANTY CERTIFICATION - Warranty registration card should be mailed within two weeks of product delivery to certify warranty coverage.

THE FOREGOING LIMITED WARRANTY IS EXCLUSIVE AND IN LIEU OF ALL OTHER WARRANTIES OF MERCHANTABILITY, FITNESS OR PURPOSE AND OF ANY OTHER TYPE, WHETHER EXPRESS OR IMPLIED. Sukup neither assumes nor authorizes anyone to assume for it any other obligation or liability in connection with said part, and will not be liable for incidental or consequential damages. REMEDIES STATED HEREIN SHALL BE THE EXCLUSIVE REMEDIES AVAILABLE UNDER THIS LIMITED WARRANTY.

Sukup reserves the right to change specifications, add improvements or discontinue manufacture of any of its equipment without notice or obligation to purchasers of its equipment. This warranty gives you specific legal rights. You may also have other rights which vary according to state or province.

WARRANTY EXCLUSIONS - Labor, transportation, or any cost related to a service call is not provided by Sukup. This Limited Warranty does not apply to damage resulting from misuse, neglect, normal wear, accident or improper installation or maintenance. ITEMS NOT MANUFACTURED BY SUKUP ARE COVERED UNDER WARRANTIES OF THEIR RESPECTIVE MANUFACTURERS AND ARE EXCLUDED FROM COVERAGE UNDER THE SUKUP WARRANTY. SUKUP MANUFACTURING CO. MAKES NO WARRANTY, EXPRESS OR IMPLIED, OF MERCHANTABILITY OR FITNESS FOR A PARTICULAR PURPOSE.

Foundation recommendations are suggestions only and will vary according to local soil conditions. Soil bearing tests must be performed by a competent, independent engineering firm. Sukup will not assume responsibility for adverse result arising from their use. Sukup will not warrant damage or loss caused, in whole or in part, by inadequate or improper site selection, site preparation, foundation, or any other failure to provide a suitable erection or installation environment for Sukup grain bin or of any product, component, equipment, accessories, parts used in conjunction with Sukup grain bin. Sukup will not warrant damage or loss caused, in whole or in part, by use of bin in a manner other than for which it was designed, or by unauthorized attachments, modifications, alterations, improper or inadequate maintenance, misuse or abuse of the bin.

Sukup is not liable for direct, indirect, incidental or consequential damages, including, without limitation, loss of anticipated profits or benefits. Not responsible for field modifications or erection defects which create structural or storage quality problems.

WARRANTY IS VOID - If not purchased from or constructed by an authorized dealer or a representative of Sukup Manufacturing Co.; If used for substances other than grains and/or free flowing materials.

Prior to installation, purchaser has responsibility to properly store steel bin components. Bin should be stored in dry, temperature and humidity controlled areas to eliminate condensation and other moisture that causes white rust and corrosion. Warranty does not extend to defects, damages or cosmetic (appearance) issues caused by improper storage or handling.

Sukup does not warrant any roof damage caused by excessive vacuum or internal pressure from fans or other air moving systems. Adequate ventilation and/or "make-up air" devices should be provided for all powered air handling systems. Warranty is void if grain is above eave and against roof, as this will block roof vents and cause unwanted loads on roof sheets. Area above surface of grain must allow free movement of air to vents. Sukup does not recommend use of downward flow systems (suction). Severe structural roof damage may occur if fans or other air moving devices are operated during certain high humidity/cold weather conditions. Roof ventilators may frost over and plug or restrict air flow causing excessive vacuum or internal pressures. Roof damage may occur due to improperly installed grain temperature detection cable systems.

Sukup does not warrant failures due to filling bin off-center; unloading from door or off-center floor port; or radial cracks in foundation. If bin has a perforated floor on columns and columns fail, bin can shift sideways causing both sidewall and roof damage.

UNAPPROVED PARTS OR MODIFICATION - All obligations of Sukup under this warranty are terminated if unapproved parts are used, equipment is modified or altered in any way not approved by Sukup in writing, or is not erected or operated according to Sukup installation or operating manuals.

Table of Contents


Important Message	2
Limited Warranty	3
Safety Section	5-15
Bin Operation & Management	16-32
Foundation & Anchor Locations	33-48
Commercial Anchors	49-50
15K & 30K Roof Assembly	51-78
Commercial Stiffened Sidewall	79-89
Wind Ring	90-91
Doors	92-102
Sidedraw	103-108
Ladders, Safety Cages & Platforms	109-139
Greene Sidewall / Easy Step Stairs	140-155
Color Chart.....	156

IMPORTANT

Please read entire Bin Operation Manual and Construction Manual, paying close attention to safety sections. Failure to read these manuals is a misuse of the product and could result in death or personal injury or property damage. All personnel associated with the bin must read these manuals thoroughly as well.

Although every effort is made to ensure assembly drawings and instructions are written without errors, they may happen. Therefore, if any concerns arise regarding any instructions or assembly drawings, please contact Sukup Manufacturing Co. customer service immediately for clarification prior to proceeding with construction.

Recognizing Safety Decal Information

 Read manual before installing or using product. Failure to follow instructions and safety precautions in manual can result in death or serious injury. Keep manual in a safe location for future reference.



On safety decals, this symbol and the signal words Danger, Warning, Caution and Notice draw your attention to important instructions regarding safety. They indicate potential hazards and levels of intensity.

 **DANGER**

RED - **DANGER** indicates an imminently hazardous situation which, if not avoided, will result in death or serious injury.

 **WARNING**

ORANGE - **WARNING** indicates a potentially hazardous situation which, if not avoided, could result in death or serious injury.

 **CAUTION**

YELLOW - **CAUTION** indicates a potentially hazardous situation which, if not avoided, may result in minor or moderate injury.

NOTICE

BLUE - **NOTICE** alerts you to practices unrelated to personal injury, such as messages related to property damage.

IMPORTANT: To prevent serious injury or death to you or your family, be certain that all decals are in place according to illustration below and are legible. If a suggested location is not clearly visible, place decal in a more suitable area. Additional safety decals are available at no charge for Sukup equipment. Please specify decal number when ordering. See contact information on cover of manual.

1 LADDER WARNING - Decal L0164

Mount on bin sheet next to ladder or stairs. Attached in advance on inside bin door and on manhole sheet so it can be seen by anyone entering bin.

2 "DANGER DO NOT ENTER" - Decal L0258A

Mount on bin sheet next to ladder or stairs. Attached in advance on inside of bin door and on manhole sheet so it can be seen by anyone entering bin.

3 "DANGER DO NOT ENTER" - Decal L0258A

Mount on bin sheet next to ladder or stairs. Attached in advance on inside of bin door and on manhole sheet so it can be seen by anyone entering bin.

4 "WARNING TO AVOID SERIOUS INJURY" - Decal L0281

Mount decal on bin sheet next to ladder or stairs. Attached in advance on inside of bin door so it can be seen by anyone entering bin.

5 "WARNING DO NOT OVERFILL BIN" - Decal L0906

Attached in advance on manhole sheet so it can be seen by anyone entering bin.

6 "WARNING CLOSE DOOR TIGHTLY..." - Decal L0909

Attached in advance on outside of inner door panel.

General Operational Safety Procedures



WARNING: Make hazards known to all personnel working in area so they can take appropriate safety precautions. Failure to follow precautions listed below may cause death or serious injury.

- Hands, feet and clothing must be kept away from moving parts. Loose clothing can become entangled in moving parts and cause serious injury.
- Be aware of danger that is present when loading and unloading bin. Flowing and crusted grain can trap and suffocate.
- Do not enter bin without having an observer outside who is in constant contact with you.
- Decals with specific messages are attached to equipment at various locations. Pay attention to messages and always be alert to the possibility of personal injury or death.
- Keep all guards and shields in place and secure while machines are in operation.
- Ladders and working surfaces should have safety cages and handrails for safe use. Use a lifeline and harness when danger of falling exists.
- Keep bystanders and children away from grain bins and grain handling equipment. **Bin sites are not playgrounds!**
- Bins must be labeled to warn of entrapment and flowing grain hazards.
- Proper operational procedures must be followed to ensure safety and well-being of all persons working near or on grain bins when inspecting grain, performing maintenance or spraying insecticides.
- Hazards associated with grain bins include engulfment in grain, falls from heights, dust and mold inhalation, pesticide exposure, electrocution, and injuries from augers. Take precautionary steps to avoid these hazards.
- Learn how to use controls and operate equipment correctly. Do not let anyone operate unit (especially youth) without thorough training of basic operating and safety procedures.
- Periodically check all mechanical and electrical components to keep them in good working condition. Make no unauthorized modifications to equipment. Doing so may endanger function and safety of unit.
- Be aware of weather-related safety hazards. Icicles and snow falling from bin eave are dangerous and can cause serious injury or death. Ice or moisture on ladders can cause slippery conditions that may result in a life-threatening fall.
- For added security and safety, attach a padlock to sidewall door latch.
- If you must enter bin, shut off equipment and lock out all power sources before entering; keep clear of all moving parts; use a safety harness and safety line, station another person outside of bin; avoid center of bin; wear proper breathing equipment or respirator; follow applicable safety regulations; ensure quick access to an ABC dry chemical fire extinguisher.

Dangers of Entering a Grain Bin



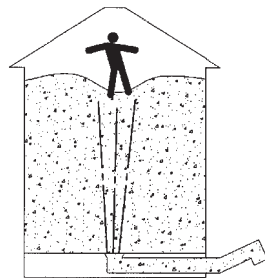
No one should enter a grain bin while it is being loaded or unloaded due to risk of being injured by moving parts such as augers or being crushed and/or suffocated by grain. Entering a bin that has bridged or crusted grain is very dangerous. Working in a grain bin without following proper safety procedures increases an individual's chance of being suffocated. If stored grain is peaked close to roof, be extremely cautious. Crawling between roof and peak could cave grain and block exit.

Owners/operators are responsible for developing site-specific confined space entry procedures. OSHA's confined space entry procedures (29CFR 1910.146) can be found at www.osha.gov.

Flowing & Crusted Grain

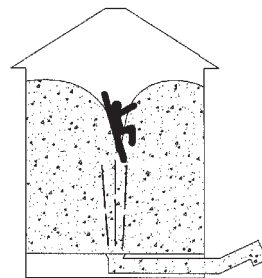
People can become caught or trapped by grain in several ways: entrapment by flowing grain, collapse of bridged grain, and collapse of a vertical wall of grain. To better understand why grain flow is so dangerous, you must understand how grain flows when it is unloaded. Grain bins are first emptied through the center sump (bins erected with a sidedraw are only exception). When center sump is opened and auger is started, grain flows from top surface down a center core to center sump. This is called funnel flow and is illustrated in figures below.

Based on 8" unload auger



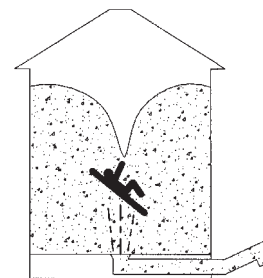
2 seconds

From time auger starts, you have 2 seconds to react.



4 seconds

In 4 seconds you are trapped



8 seconds

After 8 seconds, you are completely covered.

Grain across bottom and around sides of bin does not move. The speed at which grain is removed makes the funnel flow very dangerous. A person in a bin would be carried to center, quickly drawn under, and suffocated. An 8" auger can transfer 3,000 cubic feet of grain per hour (52 cubic feet per minute). A person about 6' tall displaces about 7-1/2 cubic feet, assuming an average body diameter of 15 inches. This means the entire body could be submerged in a funnel in about 8 seconds. Even more importantly, you could be up to your knees and totally helpless to free yourself in less than 4 seconds.

Grain surface may appear solid but not be. A small opening in unload gate gives entire surface the quality of quicksand. When a single kernel is removed from bottom of bin, kernels directly above it rush to fill the void. Flowing grain is fluid. Objects on surface sink and heavy objects sink faster than small ones.

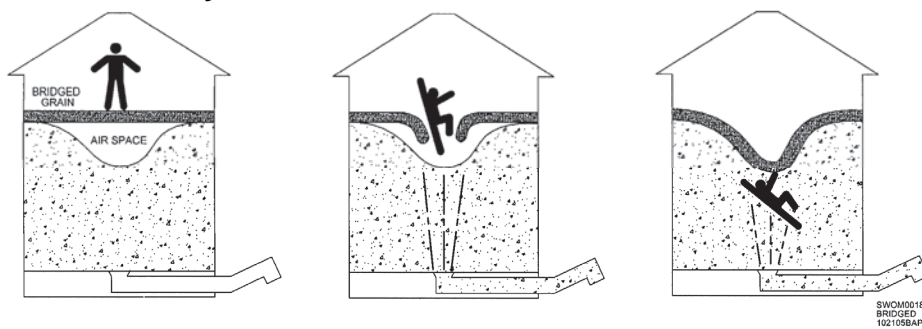
Flowing grain is like water in that it will exert pressure over entire area of any object that is submerged in it. However, the amount of force required to pull someone up through grain is much greater than in water because grain exerts no buoyant force and has much greater internal friction.

Even if grain has stopped flowing, submerged objects or people are difficult to extract. Even victims with tremendous upper-body strength cannot pull themselves out if they are buried to the chest. The force required to remove someone buried below the surface of grain can easily exceed 2,000 pounds, which is about the same as needed to lift a small car.

If you become trapped in a bin of flowing grain with nothing to hold onto but you are still able to walk, stay near outside wall. Keep walking until bin is empty or grain flow stops. If you become covered in flowing grain, cup your hands over your mouth and take short breaths. This may keep you alive until help arrives. Additional personnel should call for an emergency rescue team or fire department immediately. Ventilate bin with an aeration system but **DO NOT** activate heat source. Wait for emergency crews to arrive before attempting rescue. Offer assistance to rescuers and follow directions given by incident commander.

Bridged & Caked Grain

Spoiled grain tends to clump together and grain that is stored in cold temperatures can appear to have a solid surface while, in reality, it may collapse if walked upon. Be aware of a potential engulfment hazard when walking on surface crust. Never enter a bin unless you know the nature of previous grain removal, especially if any crusting is evident. Proper safety precautions must be taken. **After grain has been removed, look for a funnel shape at surface of grain mass. If grain appears to be undisturbed, then it has bridged and created a cavity.**



Bridged grain may create air spaces in a partially unloaded bin (see above). As grain is removed from bin, a cavity develops under crusted surface. This situation presents several dangers. First, the person may break through the surface and be trapped instantly in flowing grain. Another danger is that a large void may be created under the bridge by previous unloading so that a person who breaks through crust may be buried under grain and suffocate, even without auger running. The third hazard is that if grain is wet enough to mold and bridge across bin, there may be little oxygen present in cavity due to microbial gases. A person falling into a cavity will be forced to breathe toxic gases, even though his head is above surrounding grain. From outside of bin, use a pole or other object to break bridge, causing it to collapse.

Grain can also cake in a large mass against wall when it has been stored improperly or in poor condition. Mass of grain can cause engulfment or crushing hazards to workers who attempt to break grain loose with shovels or other objects.



This risk increases as capacity of bin increases. A person lying prone and covered by 1 foot of grain will be subjected to a force of over 300 lbs. Be alert while working with grain that has gone out of condition. Entering a bin when there may be molds, blocked flow, cavities, crusting, and possible cave-ins can cost you your life. When you are breaking up large masses of vertically crusted grain, do so with a long wooden pole from manhole above grain.

Moving Parts

When bin is nearly empty, sweep (floor) auger travels at a faster speed around bin. If caught in rotating auger, a body part can be pulled along with grain, cutting and tearing flesh. Also, an exposed auger in a sump can cause serious injury if sump is stepped into or fallen into. All shields should be in place to prevent body parts from getting caught.

To help prevent tragedy, **SAFETY SHOULD BE THE TOP PRIORITY**. Preparation is the first and most important step. Failure to follow precautions listed below may cause death or serious injury.



- Keep hands, feet and clothing away from moving parts. Loose clothing can become entangled in rotating parts and cause serious injury or death.
- Guards and shields are provided for your protection. Make sure all are secure and in place while machine is in operation.
- Replace safety shields that have been damaged or were removed for servicing equipment. Fasten shields securely.
- Be sure to wear tight-fitting clothing when working near a grain auger. Loose, floppy clothing, long shoestrings and drawstrings on hooded jackets can easily become entangled in rotating parts. Entangled clothing will pull the body into moving machinery and severe injury will result.
- Limit number of people around augers when in use. Only those who are essential to job should be there.
- Watch children closely. Never leave them unattended. Keep them away from vehicles, flowing grain and moving parts. Small hands and feet can penetrate even properly shielded augers, belts and PTOs. Teach children which areas are safe and which are not.
- Be certain all machinery is in good working condition.

Lockout/Tagout

Lockout/Tagout refers to specific practices and procedures to safeguard against unexpected energization or startup of machinery and equipment or release of hazardous energy during service or maintenance activities. This requires, in part, that an authorized individual isolate machinery or equipment from its energy source(s) before performing service or maintenance. It also requires authorized individual(s) to either lock or tag energy-isolating device(s) to prevent release of hazardous energy, and take steps to verify energy has been isolated effectively.

Grain storage structures and handling equipment may create hazardous work areas. Individuals should make sure they take proper steps to prevent injuries, illness or death. Be certain proper lockout/tagout procedures are followed before performing any service on equipment or entering bin.

Lockout refers to a device that uses a lock -- either key or combination type -- to hold an energy-isolating device in a safe position and prevent energizing of a machine or equipment. This device ensures that equipment being controlled cannot be operated until lockout device is removed. Tags must be used with all locking devices. Tags should be affixed in a manner that clearly identifies the individual servicing the equipment

Tagout refers to placement of a tag on a device that is not capable of being locked out, to indicate equipment may not be operated until tag device is removed. These tags are singularly identified with the individual applying the device and servicing the equipment. These tags **do not** provide physical restraint on those devices that require a restraint.

Owners/Operators are responsible for developing site-specific Lockout/Tagout procedures based on equipment, conditions and situations at their individual locations. OSHA's Lockout/Tagout procedures (29CFR 1910.147) can be obtained at www.osha.gov.

Ventilation

When entering an inadequately ventilated area, individuals may be at risk of being overcome by respiratory hazards (gases, fumes and dust) that can cause permanent lung damage or even death. Working in grain bins without proper respiratory protection increases a person's chance of developing a respiratory disease.



Owners/Operators are responsible for developing site-specific personal protective equipment standards. OSHA's personal protective equipment standards (29CFR 1910.134) can be obtained at www.osha.gov.

Sharp Edges & Obstacles



When working in, on or near a bin, remember that metal edges are sharp. To avoid injuries, wear protective clothing and handle equipment and parts with care. An excellent safety practice is to keep bin site clear of scrap iron and other foreign materials that may get covered up by snow or tall grass. Items or debris left near bin site may interfere with safe, unobstructed movement around bin.

Be aware of trucks, tractors, wagons, augers, hoppers and pits, etc. Never allow anyone to ride on trucks equipped with grain beds or gravity dump wagons. Keep children off grain vehicles and out of bins while loading and unloading. Always know where all family members are (especially children) at all times when grain is being loaded, unloaded, moved or otherwise handled.

Falls & Obstructions

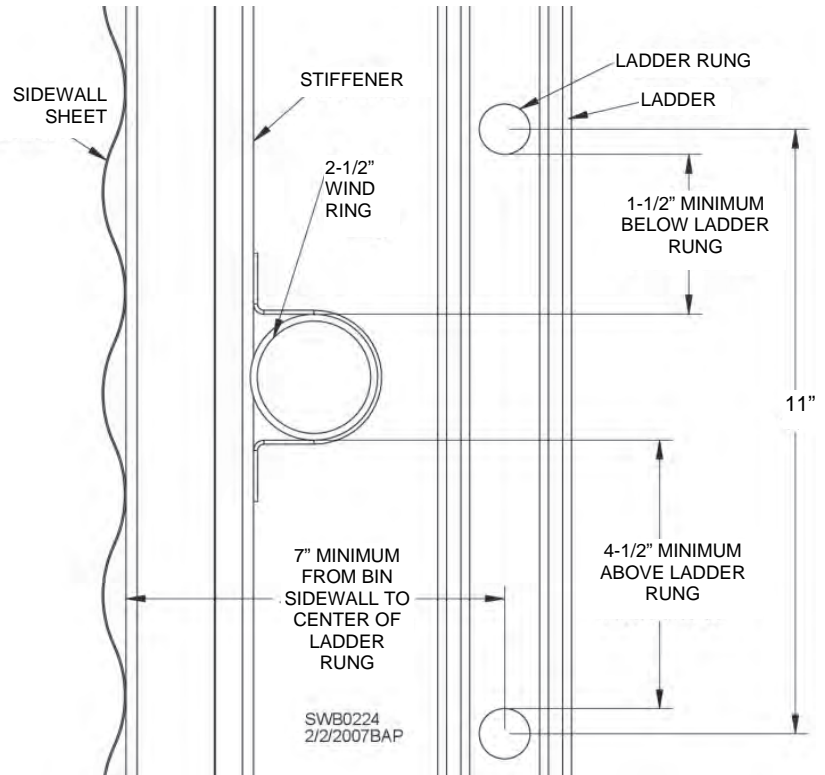
Falls from grain bins at any height can cause injury. Ladders on bins can become very slippery or icy in inclement weather. Maintain a secure handhold and foothold when climbing on bin. Metal is slippery when wet. Never carry items while climbing on bins. Also, be certain no obstacles are in front of ladder.

Slippery metal, broken or loose ladder rungs and loose handholds can be very dangerous. Repair loose ladder rungs and handholds as soon as they are discovered. Follow maintenance guidelines listed at back of operation manual to prevent serious injury.

Make sure there are no obstructions near ladder rungs. Be certain wind rings (usually on taller commercial bins) are installed according to illustration at right so adequate clearances for hands and feet are provided. Wind rings must be a minimum of 1-1/2" below and 4-1/2" above any ladder rung. A wind ring assembled within 4-1/2" above a ladder rung can interfere with foothold and cause you to fall.

American Society of Agricultural and Biological Engineers (ASABE) standards state that landing platforms shall be provided at each 30' of ladder height. Center of outside ladder must be at least 7" from sidewall.

NOTE: Failure to install ladder and safety cages correctly and to use fall restraint or arrest systems correctly may cause death or serious injury. Contact your dealer if proper ladder and accessories are not installed.



Ladder Safety

- Working load of ladder is 300 pounds. Do not overload.
- Inspect ladder carefully before use. Never climb deteriorated, damaged or improperly assembled ladder components.
- Never use ladder if you are physically impaired.
- Never carry items while climbing.
- Always have another person present while climbing.
- Use safety harness and safety line as required.
- Metal is slippery when wet. Always maintain a firm grip and wear slip-resistant shoes when climbing.
- Always face ladder when using it.
- Never apply external load. Never push or pull anything while on ladder.



WARNING: Failure to follow precautions above may result in death or serious injury.

Fall Restraints & Arrest Systems

When working at a height where fall hazards exist, always use a fall restraint or fall arrest system. Inspect components before each use for wear, damage and other deterioration. Remove defective components from service according to manufacturer's instructions. Failure to heed this warning may cause death or serious injury.

A **fall restraint system** consists of a body belt or harness, lanyard and anchor. The system is arranged so the individual is prevented from falling. Fall restraint systems should be used in accordance with manufacturer's recommendations and instructions.

A **fall arrest system** consists of a harness, lanyard and anchor. The system stops a fall within specified parameters. Fall arrest systems should be used in accordance with manufacturer's recommendations and instructions.

Lifelines and safety harnesses are used with both systems. A **lifeline** is a component consisting of a flexible line (rope or cable) for connection to an anchorage at one end to hang vertically (vertical lifeline), or for connection to anchorages at both ends to stretch horizontally (horizontal lifeline). Lifelines also serve as a means for connecting other components of a fall protection system. A **safety harness** has straps that wrap around an individual in a manner that will distribute the fall arrest forces over thighs, pelvis, waist, chest, and shoulders with a means of attaching it to other components of a fall protection system. Follow manufacturer's instructions when using a lifeline and safety harness.



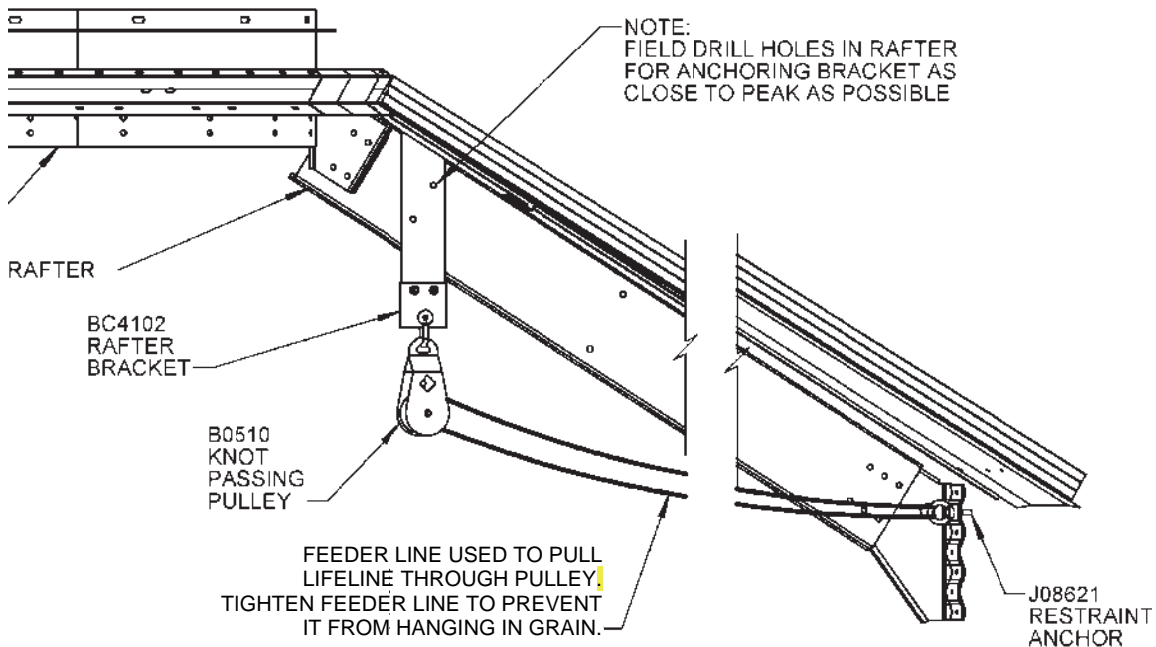
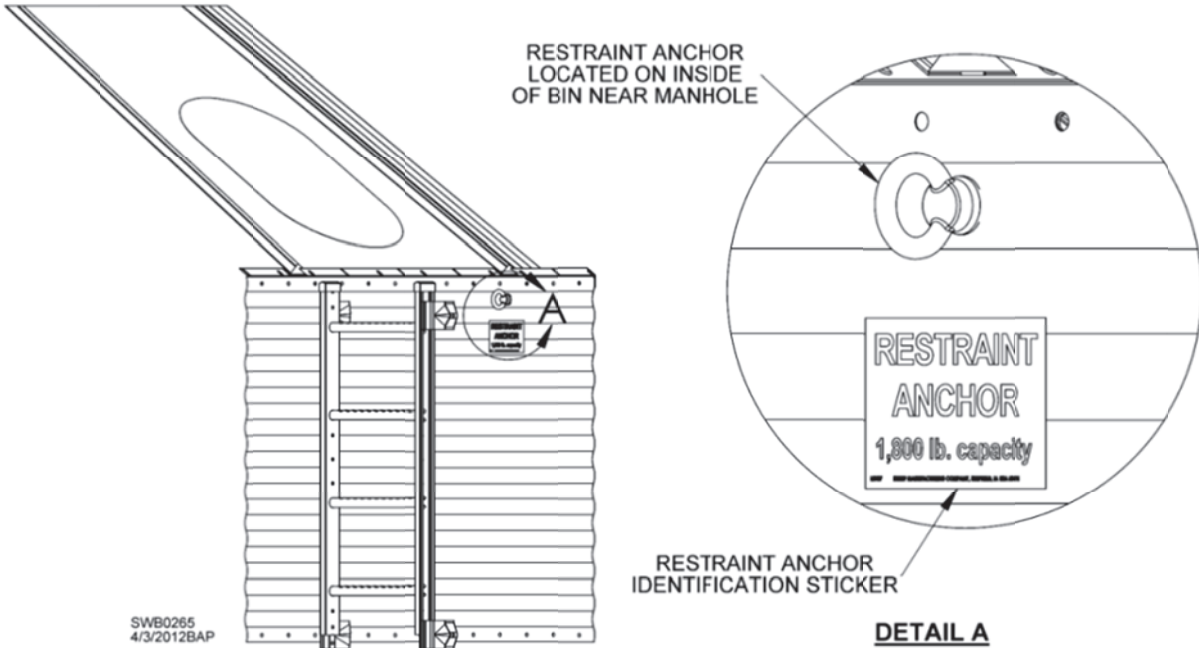
Individuals who enter a grain storage structure from a level at or above stored grain should be equipped with a lifeline and harness. When entering any bin or storage unit, have multiple people outside and one inside. A single person cannot go for help and give first aid simultaneously.

Connections outside bin on roof should be made to peak ring. Lifelines should not let individual extend past eave of roof. If work needs to be done on portions of sidewall, proper equipment such as lifts or cranes should be used. When working inside bin, appropriate connections should be made to rafters, peak ring or sidewall.

Knot-Passing Pulley & Restraint Anchor

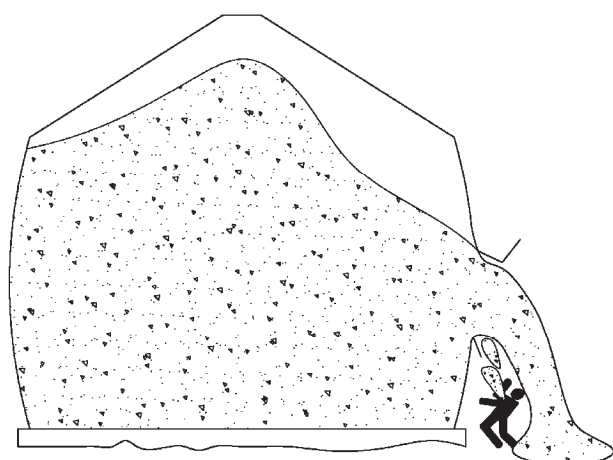
Restraint anchor capable of supporting 1,800 lbs. is provided for use inside of all Sukup bins. **Knot-passing pulley with restraint anchor** is provided for use in commercial bins with roofs rated for 15,000 lbs. or more. See installation instructions in Bin Construction Manual.

A knot-passing pulley is intended to be used with a lifeline and safety harness (neither supplied by Sukup Manufacturing Co.). A feeder line should pass through knot-passing pulley at peak and through restraint anchor at eave of bin near manhole. Feeder line is used to pull lifeline through knot-passing pulley for safety harness attachment. Do not attach safety harness to feeder line. Use safety equipment according to manufacturers' instructions. Refer to Fall Restraints & Arrest Systems section and to www.osha.gov for additional safety information.



Top Causes of Bin Failure

- **OFF-CENTER (ECCENTRIC) UNLOADING AND/OR LOADING**
- Non-free flowing grain (spoiled, frozen, crusted etc.)
- Door panels not tightly secured against inner door frame
- Augers, spouts, or conveyors improperly attached to roof
- Sidedraw improperly installed or operated
- Rusted wall sheets
- Simultaneous loading and unloading
- Settling of foundation (uneven pad)
- Improper usage (storage and aeration)
- Storing wet and dry grain in the same bin without stirring
- Neglect of bin maintenance
- Modifications made during installation or assembly
- Incorrectly installed sidewall sheets and/or stiffeners
- Blocked roof vents causing excessive pressures on roof (overfilling, frosted vents, etc.)
- Improper temperature cable support and/or placement



SWOM0030
9/3/2011BAP



WARNING: Damage from issues listed above may cause sudden structural failure and collapse, which may result in death or serious injury. Frequently monitor and inspect bin and foundation for any deflections, cracks or deviations that may occur. Follow operation and maintenance instructions described in this manual.

Determining an Existing Bin's Fitness for Duty

Farm and commercial bins are built to last for many years. However, factors such as weather, usage, accidents and seismic activity can put stresses on a bin that compromise its structural fitness. Following are issues to consider in determining whether a bin should be taken out of service and/or replaced.

- Extensive rust on inside or outside of roof and/or sidewall sheets, or on stiffeners
- Rust holes or significant wearing and/or tearing of roof and/or sidewall sheets
- Damaged stiffeners or sidewall sheets (kinked or bent from off-center loading or unloading, etc.)
- Leaking roof or sidewalls
- Missing connections between wall and roof structure
- Missing or sheared bolts
- Loose, broken or shifted anchors
- Damaged foundation or bin floor (cracks in concrete foundation, uneven settlement)

Minor levels of any of these issues should be repaired promptly. If levels are moderate to high, bin should be taken out of service or replaced. If unsure, take pictures of the issues and contact an independent consulting engineer.

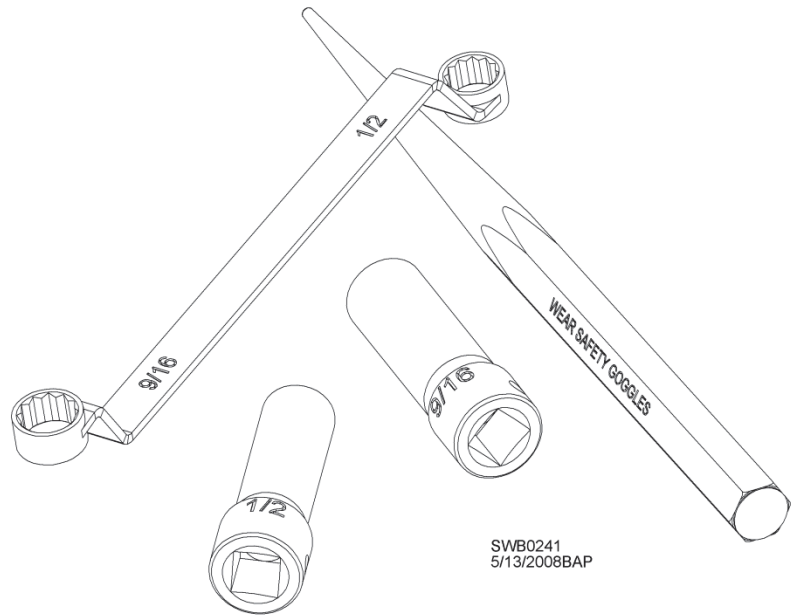
Besides condition of bin, other factors to consider in determining whether to decommission it include age of bin, insurability, capacity, compatibility with modern grain handling and moving equipment, and future plans for bin site.

Construction Safety

On grain bin construction sites, carelessness and/or operator error may result in serious injury or death. Hazard control and accident prevention depend on awareness, cautiousness, and proper training of personnel involved in construction of bin. Be certain all crew members are properly trained and thoroughly familiar with all aspects of grain bin construction.

Listed below are items construction crew members should be knowledgeable of to minimize risk of injury to personnel and damage to equipment. **NOTE:** Following items are examples taken from a broad list of OSHA's Safety and Health Regulations for Construction. Generally, these are common requirements/items necessary on grain bin construction sites.

- **Personal Protective**
 - Head Protection
 - Hearing Protection
 - Eye and Face Protection
 - Steel Toed Boots/Shoes
 - Gloves
- **Concrete Construction**
- **Material Handling & Storage**
- **Tools – Hand and Power**
- **Welding and Cutting**
- **Electrical**
- **Ladders**
- **Scaffolds and Working Platforms**
- **Fall Protection**
- **Steel Erection**
 - Center Pole (Roof) Jack*
 - Sidewall Jacks*
- **Motorized Equipment**
 - Trenchers
 - Forklifts
 - Skidsteers
 - Telehandlers
 - Boom Lifts
- **Cranes and Hoists**
- **Signs and Signals for Use of Motorized Equipment**



***NOTE:** Be certain to read and fully understand correct operating procedures for bin jacking equipment. This equipment is provided with understanding that purchaser/operator are thoroughly familiar with correct applications and proper usage techniques. Jack manufacturers will assume no responsibility for damage to equipment or any injury resulting from operation of their equipment.

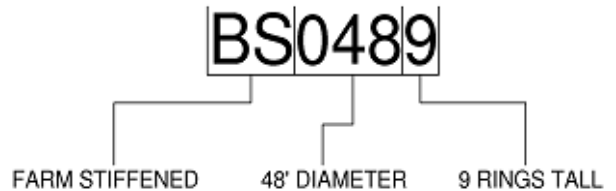
Erectors/contractors are responsible for developing site-specific construction guidelines and procedures based on equipment, conditions and situations at their individual location. OSHA's Safety and Health Regulations for Construction (29CFR1926) can be obtained at www.osha.gov.

Bin Operation & Management

Bin Description

Sukup Manufacturing Co. grain bins are designed to meet a wide variety of needs, but all bins cannot be used for all purposes. Listed below are different types of grain bins made by Sukup. See following page for application definitions. **Check to be certain which type of bin you ordered and received. Bin number is listed on quote from dealer or on color chart that comes with bin.** Example below illustrates how bin numbers are read. Circle the bin you ordered.

<u>Prefix</u>	<u>Description</u>
B.....	Farm Bins
BD.....	Farm Heavy Gauge Drying Bins
BS.....	Farm Stiffened Bins
BSD.....	Farm Stiffened Heavy Gauge Drying Bins
BHM.....	Medium Duty Hopper Bins
BH.....	Heavy Duty Hopper Bins
BC.....	Commercial Bins



NOTE: Bin numbers ending with an “X” indicate bin with a special design. Look for label on inside of door for specific design/usage information.

(B) Farm Bins: 15’ to 48’ in diameter, maximum 10 rings tall.

- Bins are designed for storage, aeration and short-term wet holding.
- Limitation - Bins up to six rings are designed for stirring machine and general drying. May use stirring device with up to three down augers. Bins seven or more rings tall are not designed for a stirring machine.

(BD) Farm Heavy Gauge Drying Bins: 18’ to 48’ in diameter, five or six rings tall.

- Designed for general drying, general wet holding, working and storage. May use stirring device with up to five down augers, center unload continuous flow system or recirculating devices.

(BS) Farm Stiffened Bins: 15’ to 48’ in diameter, maximum 12 rings tall.

Bins are designed for storage, aeration and short-term wet holding.

- Limitation - Bins up to six rings are designed for stirring machine and general drying. May use stirring device with up to three down augers. Bins seven or more rings tall are not designed for a stirring machine.

(BSD) Farm Stiffened Heavy Gauge Drying Bins: 18’ to 48’ in diameter, five or six rings tall.

- Designed for general drying, general wet holding, working and storage. May use stirring device with up to five down augers, center unload continuous flow system or recirculating devices.

(BHM) Medium Duty Hopper Bins: 15’ to 21’ in diameter, three to six rings tall.

- Designed for corn and sorghum (48lbs./ft.³) storage, aeration and short-term wet holding; NOT DRYING.
- Limitation - 45° Medium Duty Hopper bins can be utilized as working bins if total grain depth (outlet cone to peak) is less than twice the bin diameter. **IMPORTANT:** Monitor cone panel wear with heavy use.

(BH) Heavy Duty Hopper Bins: 15’ to 36’ in diameter, three to 12 rings tall.

- Designed for storage, aeration and short-term wet holding; NOT DRYING.
- Limitation - 45° Heavy Duty Hopper bins can be utilized as working bins if total grain depth (outlet cone to peak) is less than twice the bin diameter **IMPORTANT:** Monitor cone panel wear with heavy use.

(BC) Commercial Bins: 18’ to 156’ in diameter, 13 rings and taller.

- Designed for storage only; NOT DRYING. Store only dry, cool, free-flowing grain.
- Limitation - May be used for short-term wet holding on 60’ diameter and smaller bins, max 12 rings tall.

Bin Usage

Table below shows uses for which each bin is designed.

Key:	✓	Designed for this application	∅	NOT designed for this application	Limited*	Limited by size of bin	SQ	Special Quote Contact Sukup
-------------	---	-------------------------------	---	-----------------------------------	----------	------------------------	----	-----------------------------

Type	Bin	Application							
		Storage/Aeration	Drying	Stirring Machine	Cooling	Short-term Wet Holding	General Wet Holding	Working	Sidedraw
FARM	B	✓	Limited*	Limited*	✓	✓	∅	∅	∅
	BD	✓	✓	✓	✓	✓	✓	✓	∅
	BS	✓	Limited*	Limited*	✓	✓	∅	∅	∅
	BSD	✓	✓	✓	✓	✓	✓	✓	∅
HOPPER	BHM	✓	∅	∅	∅	✓	∅	Limited*	∅
	BH	✓	∅	∅	∅	✓	SQ	Limited*	SQ
COMM.	BC	✓	∅	∅	∅	Limited*	SQ	SQ	✓**

* See previous page to determine available sizes

** Available on bins up to 105' diameter

Application Definitions

Storage – Storing dry, cool, free-flowing grain only. Generally should include an aeration method.

Aeration – Using fan(s) with full floor or aeration tunnels to keep dry grain within 10°F (6°C) of ambient air temperature.

Drying – Drying wet grain to proper moisture content for storage. Type of grain and length of storage time will determine proper moisture content.

Stirring Machine – Mixing grain using stirring augers while drying to ensure uniform condition.

Cooling – Requires full floor and properly sized fan(s) to achieve adequate cooling.

Short-term Wet Holding – Storing wet grain (over 16% moisture) up to 72 hours. Aeration is needed.

General Wet Holding – Storing wet grain (over 16% moisture) more than 72 hours. Aeration is required.
NOTE: Grain will deteriorate faster as temperature and moisture content increase.

Working – Refilling 25% or more of maximum bin capacity more than 12 times a year, where new grain settles for more than 72 hours per occurrence. Working bins require grain to be unloaded by gravity out of center sump only.

Sidedraw – Controlled removal of grain from side of bin. Available only on commercial bins. Sidedraws are not to be used as a primary outlet in a working bin application. If 25% of maximum capacity will be withdrawn more than 12 times a year through sidedraw, a special sidedraw working bin needs to be designed. Contact Sukup Manufacturing Co. customer service.

Be sure to review bin descriptions on previous page for proper usage.

The following pages contain more information on operation and management of grain bins. Each section will include one of the tags below (FARM, HOPPER, COMM., ALL) that identifies which type of bin applies to that section. The ALL tag means the section refers to farm, hopper and commercial bins.

FARM

HOPPER

COMM.

ALL

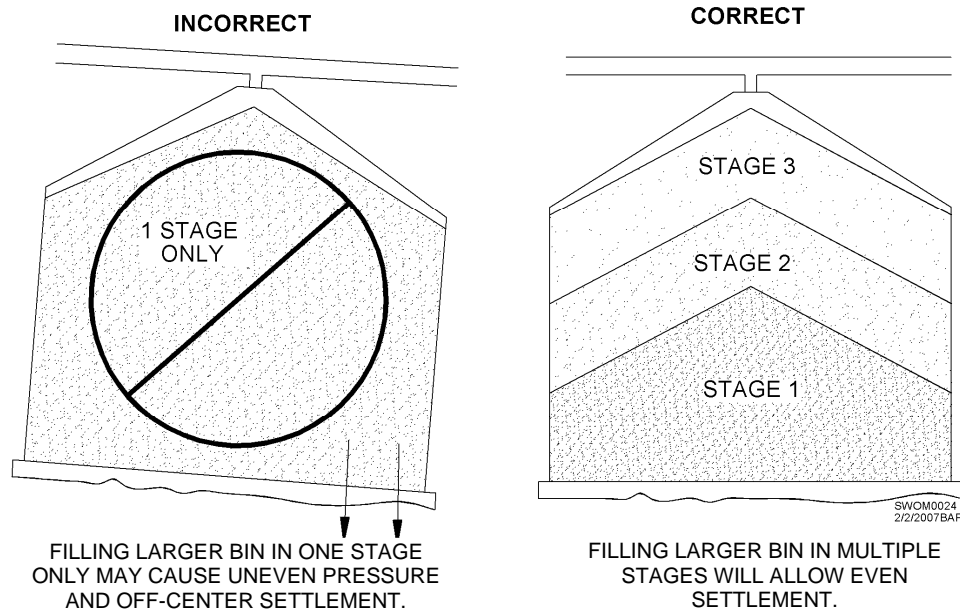
ALL

Initial Fill

INSPECTION CHECKLIST BEFORE FIRST OPERATIONAL USE

- Bin has been properly anchored to foundation. Anchor nuts should be finger-tight against shims.
- Ladders, handrails, platforms, stairways and steps are securely in place.
- All bolts are in place and securely tightened.
- Unloading equipment and unload gates function correctly and are closed.
- All guards and shields are in place. Safety decals are legible and in correct locations.
- Working areas surrounding bin are clean and clear of clutter.
- Check electrical performance and install lockouts (if needed) on equipment.
- Any temperature cables must be fastened to floor using breakable string (fishing line). Absolutely no weights or plates should be attached to bottoms of temperature cables that could overload roof.

On larger bins, filling in several stages as described below is required to prevent uneven settlement. **These instructions are general guidelines. Follow soil engineer's instructions on initial filling.**



Maximum uneven settlement (deviation) after filling bin (includes overall concrete deviation before bin erection):

For 60' diameter and smaller: 1-½" MAX

For larger than 60' diameter: 2" MAX

COMM.

IMPORTANT COMMERCIAL BIN INFORMATION: Sukup Manufacturing Co. requires stage loading to prevent excessive uneven differential settlement after first initial fill. In first stage, bin should be filled to no more than 1/3 of eave height. It would then take 10 days for desired consolidation to occur. For second stage, bin should be filled to 2/3 of eave height. It would then take another 10 days for desired consolidation to occur. Then the final 1/3 may be filled. See illustration above.

FARM

IMPORTANT FARM BIN INFORMATION: If eave height is greater than bin diameter, bin should be filled in two stages. First stage should be to height of bin's diameter. Allow 10 days for consolidation to occur, and then continue to fill rest of bin. If height is not greater than bin diameter, initial fill can be completed in a 24-hour period.

ALL

Loading

Below are maximum fill rates depending on type of bin.

Farm Duty – 2-1/2 feet per hour (2/3 sidewall ring per hour).

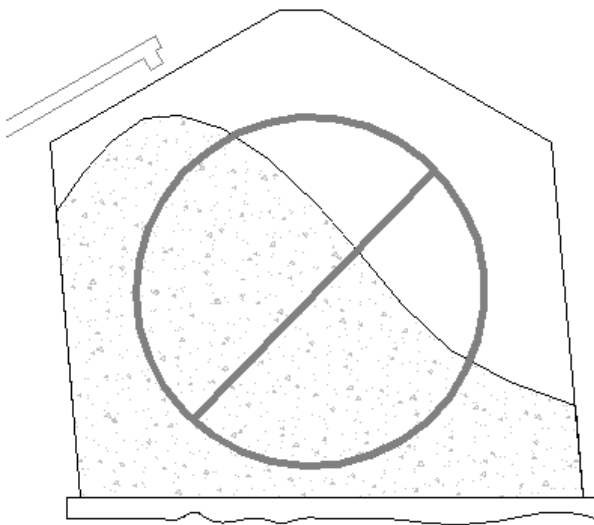
Commercial – 5 feet per hour (1-1/3 sidewall rings per hour).

Do not exceed 50,000 bushels per hour fill rate.

NOTICE: Replacing loading equipment with higher capacity equipment may increase dynamic loads on a bin. Increased dynamic loads on bin sidewalls can cause distress, distortion and structural failure.

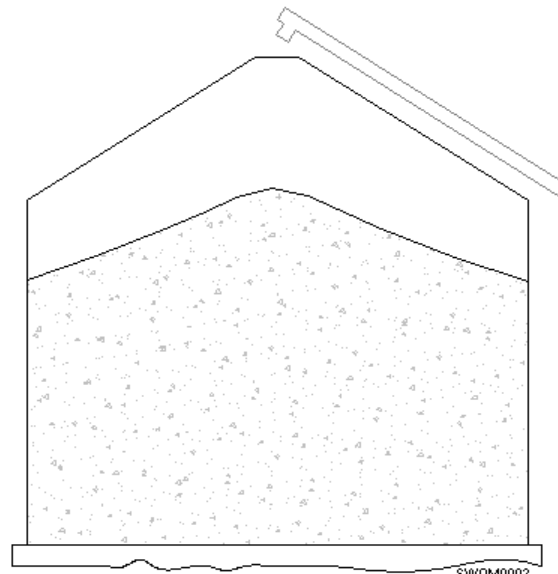
If faster fill rates are desired, contact Sukup Manufacturing Co.

INCORRECT OFF CENTER (ECCENTRIC) LOADING



OFF-CENTER LOADING CAN CAUSE
EXCESSIVE PRESSURE ON SIDEWALL
RESULTING IN LEANING OF BIN OR
STIFFENER BUCKLING.

CORRECT CENTER LOADING



BIN MUST BE LOADED THROUGH CENTER
OF ROOF SO GRAIN IS UNIFORMLY
DISTRIBUTED.

SWOM0002
LOADING
7/8/2008BAP

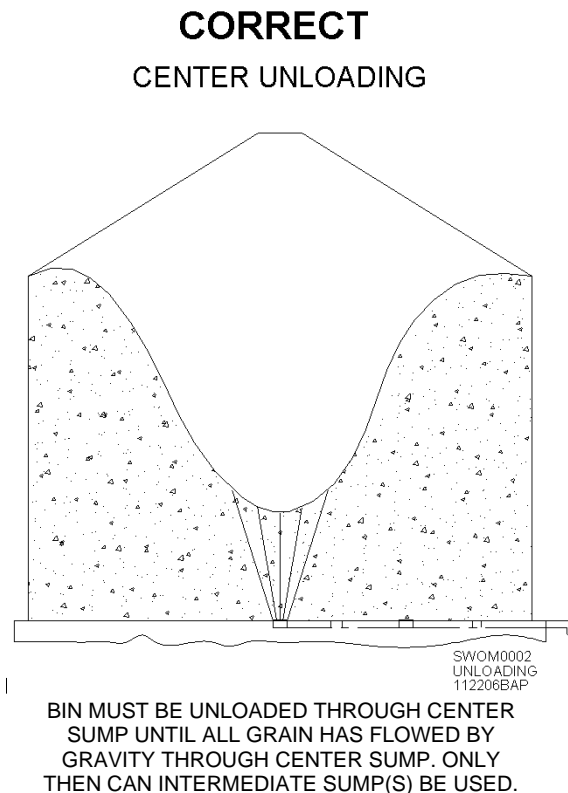
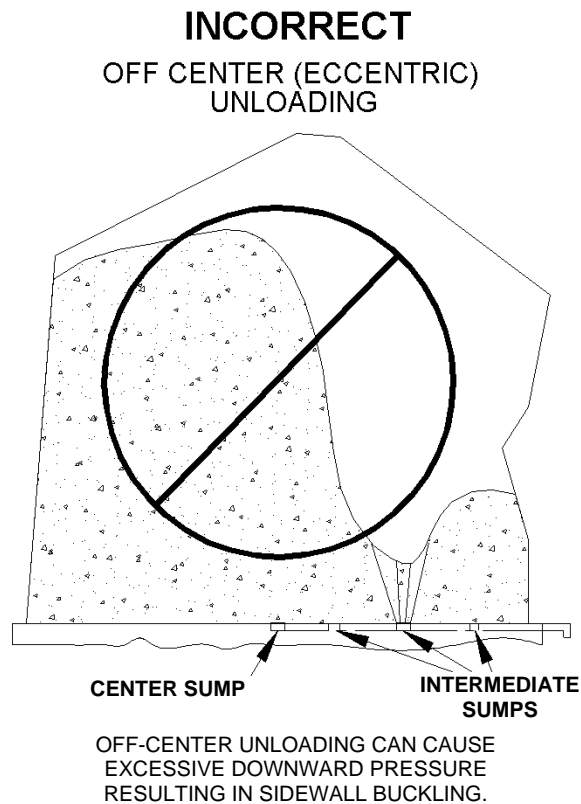
CHECKLIST FOR FILLING BIN

1. Check that unloading equipment is functioning correctly.
2. Close all intermediate sump gates.
3. Place power sweep auger, if so equipped, over intermediate sumps.
4. Shut sidewall door(s) properly. Inner door panels must be fully seated against frame over all 1" pegs when closed and latched.
5. Fill only through center peak ring.
6. Know the maximum capacity of bin. Overfilling may cause bin failure. Maximum capacity is when grain is 1" below eave. Use spout/chute to prevent overfilling. See Spout/Chute Lengths page.

ALL

Unloading

Standard bins are NOT designed as working bins. A bin is considered a working bin when 25% or more of maximum capacity is withdrawn more than 12 times a year. If bin is to be a working bin, a special heavier design must be used.



To maintain uniform loads on sidewalls, grain must be unloaded from center of bin. **Center sump must be opened first.** Intermediate sump(s) must not be used until all grain has flowed by gravity through center sump.

NOTICE: DO NOT simultaneously fill and unload bin. Simultaneous filling and unloading results in grain behaving more like a fluid than granular material. Increased fluidic behavior of grain can cause increased sidewall loads. Service life of bin can be drastically reduced and risk of structural failure, personal injury and economic loss will increase by simultaneous loading and unloading.



WARNING: Off-center unloading could result in structural failure causing death or serious injury. Never vacuum out of sidewall door unless all grain has been emptied by gravity through center sump and then intermediate sump(s). Do not empty bin through sidewall door or cut a hole in bin sidewall. This will cause uneven load distribution and excessive downward pressure that may result in bin failure.

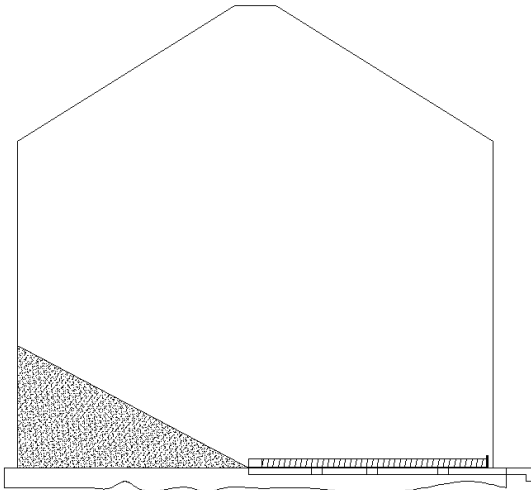
NOTICE: Replacing unloading equipment with higher capacity equipment may reduce structural integrity of bin. Discharging grain at very high capacities alters dynamic loads on bin sidewall, possibly exceeding load capacity and resulting in collapse. Consult an independent engineer before proceeding with modifications.

ALL

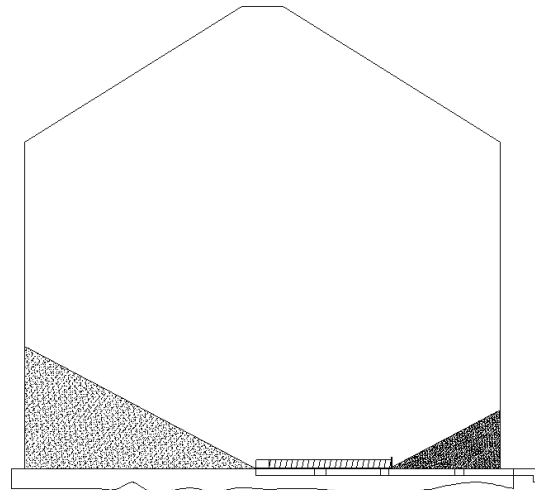
Sweeping Bin



DANGER: Never enter bin while equipment is operating. Lock out all equipment and have another person present when entering bin. When bin is nearly empty, sweep auger will travel at an increasingly fast speed. Keep away from auger to avoid entanglement, which will result in death or serious injury.



Single-Stage Sweeping



SWOM0025
112106BAP

Multiple-Stage Sweeping

Standard Sukup grain bins are designed with anchors that allow sweeping of entire diameter of bin in one stage. However, older Sukup bins 72' dia. and larger that do not have two anchors per stiffener should be swept in multiple stages beginning with inner section of floor, and then outer section after sweep extension is added. Additional anchor brackets can be purchased from Sukup Manufacturing Co. and retrofitted to enable single-stage sweeping.

For single-stage sweeping of Sukup bins 54' to 105' in diameter, bin must have 1" Grade 5 anchor bolts (17" deep for "Inverted T" foundation, or deep into stemwall ring rebar zone for "T-Cap"), with a minimum of 7-1/2" from anchor to outside edge of stemwall. Check bin anchor specifications prior to using sweep.

STEPS TO SWEEPING BIN

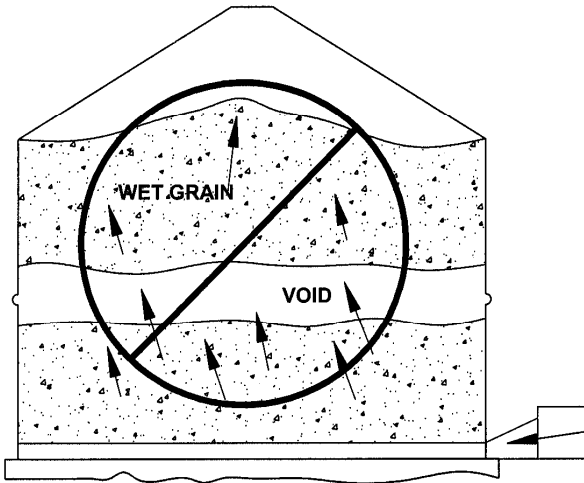
1. Be certain that no bridged grain or vertical crusting is evident.
2. Start to sweep bin after all grain has flowed by gravity through center and intermediate sumps.
3. For Sukup Sweepway systems, stop equipment and engage clutch to remove grain. Sweepway system is permanently installed so there is no need to enter bin. Turn on power to unload grain.
4. If you have a multiple-stage sweep, lock out inner sweep system before adding outer sweep section. Have another person present.
5. If auger system fails, do not cut holes in bin sidewall to unload. This will cause uneven load distributions that may cause bin failure. Call your nearest Sukup dealer for appropriate procedures. Not following these steps will cause structural damage and loss of bin contents.
6. Return sweep to original position just behind intermediate sump gates.

ALL

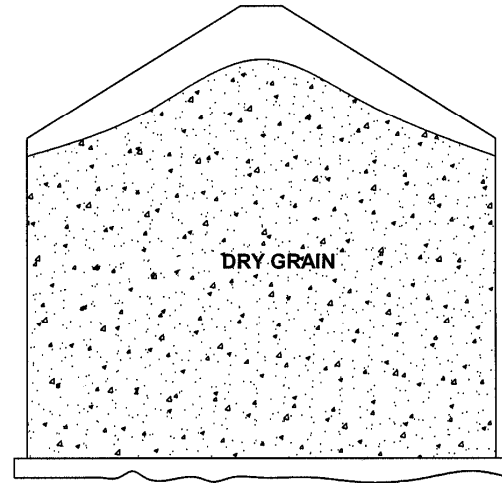
Material Stored

Storage bins are designed to store only dry, free-flowing grain that has been cooled. **Do not put grain exceeding 16% moisture in a storage bin.** Only drying bins using a stirring machine can hold a mix of wet and dry grain for a limited amount of time. **NOTICE:** Buckling of sidewall sheets can occur due to grain on bottom drying and shrinking. This allows wet grain above to be supported only by bin sidewall. Failure generally develops in area of drying front.

INCORRECT



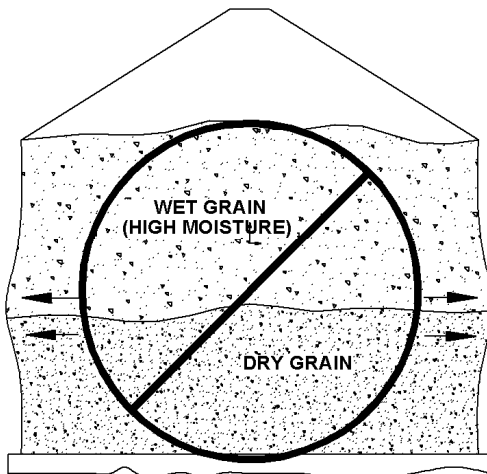
CORRECT



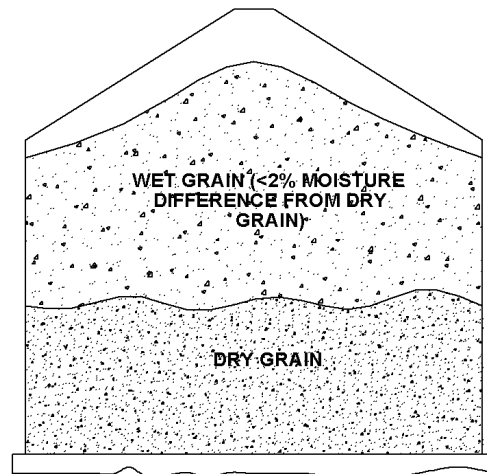
SWOM0006
STORED1
51805BAP

Do not mix quantities of wet grain with dried grain unless it's in a bin with an operating stirring machine. Partially dried grain shrinks and causes voids. Sidewall and stiffeners can buckle under immense pressure. Standard storage bins are not designed for storage of high-moisture grains.

INCORRECT



CORRECT



SWOM0006
STORED2
51805BAP

To guard against excessive sidewall loads caused by grain kernel expansion, **grain bins must be managed to prevent grain moisture from increasing above 16% during storage.** In addition, do not have grain moisture content variations of more than 2 moisture points in a storage bin. See warning in Aeration section on avoiding frozen grain in bins.

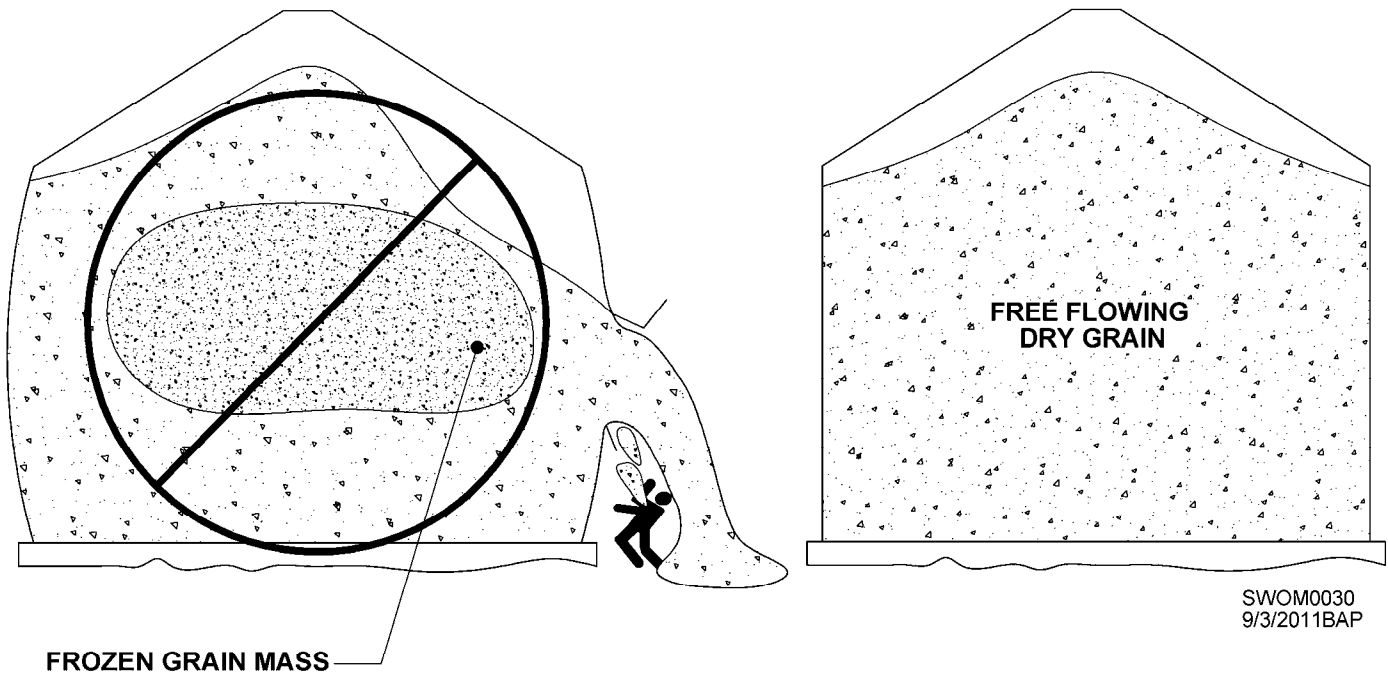
ALL

Material Stored

DO NOT FREEZE GRAIN due to problems it can create, particularly during warming and in larger bins. Condensation during aeration can be a problem in grain cooled below freezing. It will be difficult to warm grain in spring without condensation immediately freezing into ice. Frozen chunks block aeration warming cycles and grain unloading. **NOTICE: Condensation also re-wets grain and can cause sudden bin failure and collapse due to expansion of kernels.** If grain does freeze, begin thawing it once the average outdoor temperature is 10°F to 15°F (6°C to 8°C) above grain temperature. Follow steps outlined in segment below. **NOTICE: Failure to follow instructions for thawing frozen grain may result in sudden bin collapse and failure.**

INCORRECT

CORRECT



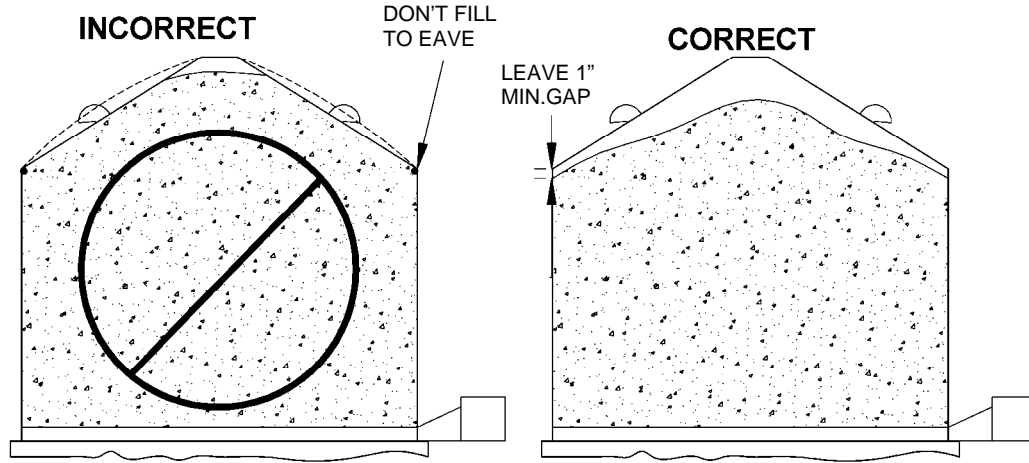
WARNING: Damage from frozen grain may cause sudden structural failure and collapse, which may result in death or serious injury. Frequently monitor and inspect bin. Follow operation and maintenance instructions described in this manual.

Managing Grain in Spring and Summer

Start fan when average outdoor temperature is 10°F to 15°F (6°C to 8°C) above grain temperature. Once warm-up cycle is started, do not turn fan off. Stopping the warming front before a cycle is completed encourages condensation of moisture and spoilage. As outside temperatures continue to warm, repeat this cycle as often as needed until average grain temperature is 50°F to 60°F (10°C to 16°C). **Maintain grain temp. within 10°F to 15°F (5°C to 8°C) of average monthly temp.** Do not warm grain to summer temperatures above 60°F (16°C) in the southern U.S. or 50°F (10°C) in the northern U.S. due to insect infestation and other storage issues.

ALL

Material Stored

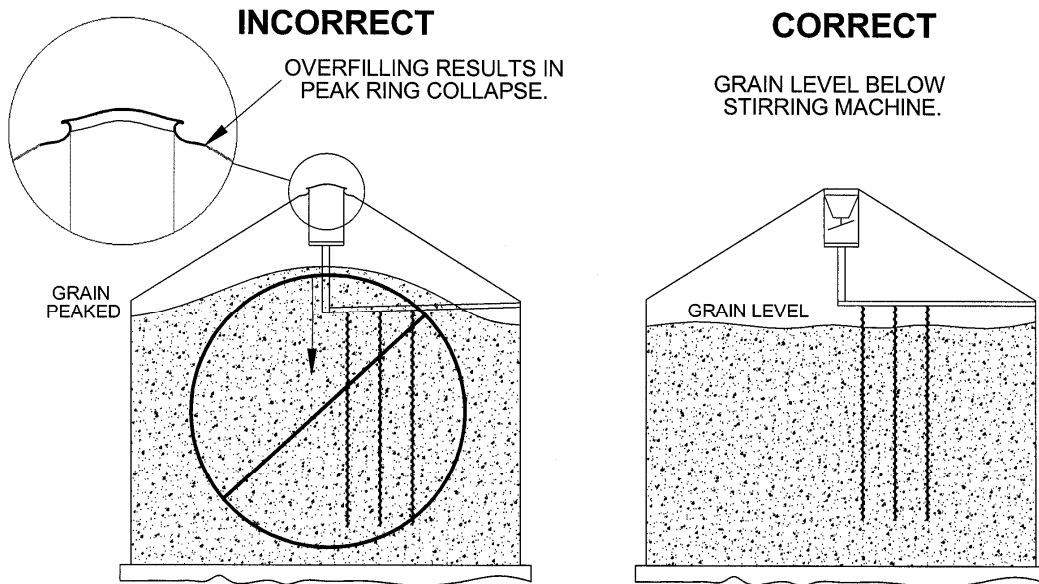


SWOM0019

Do not plug eave and fill grain to top. Filling grain up against roof sheets may cause roof to expand outward and fail, voiding warranty. **Maximum fill height is 1" below eave.** Opening manhole when a bin is overfilled will cause grain to spill out, possibly resulting in someone being caught in grain flow. Check for overfilling by tapping against manhole cover before opening. A hollow sound means it's OK to open cover. A solid sound means grain is against it. **DO NOT OPEN manhole cover when there is grain against it.** Unload bin to get grain away from roof. Be certain ladder cages and platform handrails are in place and correctly installed. See Spout/Chute Lengths page.

FARM

Stirring Machines



SWOM0015
111005BAP

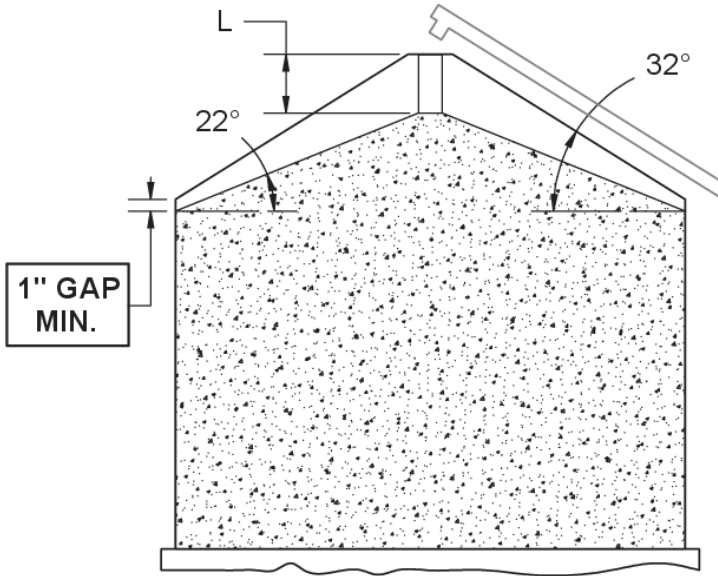
Stirring machine should be run continuously while filling. **NOTICE: Do not fill bin with grain above stirring machine. Grain should be level 30" below eave. Roof peak ring failure can occur, especially during unloading.** See illustration above. Down augers should be free prior to start-up. Preceding notes are general operating instructions. Be sure to read and understand stirring machine operator's manual before operating.

ALL

Spout/Chute Lengths (To prevent overfilling bin and off-center unloading)

When grain is being peaked, it is recommended that a spout or chute be used to stop grain when it has reached its recommended peak filling height. This keeps grain at least 1" below eave, allowing maximum storage. Listed below are proper lengths for spouts/chutes when filling bins with either dry or wet corn (22° is dry and 28° is wet). Spout lengths are based on spout diameter of 20". Wet corn should not be stored for more than two days. "L" dimensions (see drawings and tables below) are taken from top of peak ring. **IMPORTANT:** Do not use these dimensions on other grains.

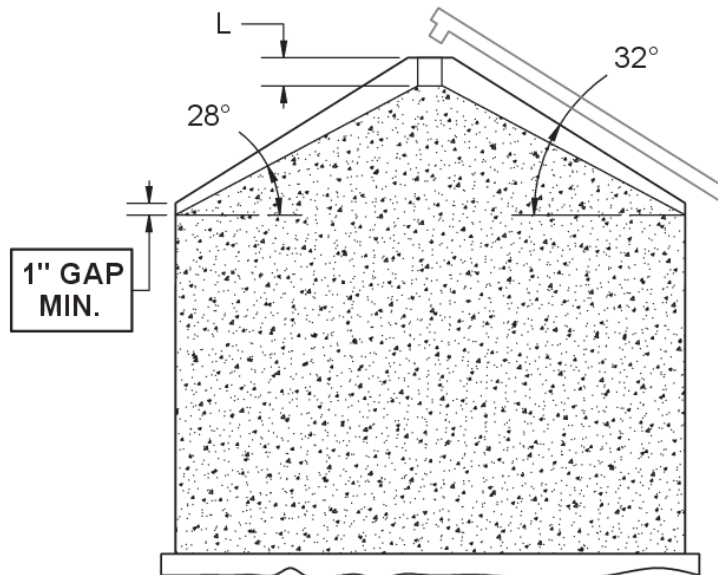
22° ANGLE OF REPOSE (DRY CORN)



5K FARM BINS		15K & 30K COMM. BINS		50K COMM. BINS	
15'	L=17"	36'	L=40"	90'	L=85"
18'	L=21"	39'	L=44"	105'	L=106"
21'	L=25"	42'	L=48"	135'	L=146"
24'	L=29"	45'	L=52"	156'	L=148"
27'	L=33"	48'	L=56"		
30'	L=37"	54'	L=64"		
33'	L=41"	60'	L=72"		
36'	L=45"	72'	L=92"		
39'	L=49"	75'	L=96"		
42'	L=53"	78'	L=100"		
45'	L=57"	90'	L=115"		
48'	L=61"	105'	L=135"		

NOTE: LENGTHS ABOVE ARE BASED ON 20" DIAMETER SPOUT.

28° ANGLE OF REPOSE (WET CORN)



5K FARM BINS		15K & 30K COMM. BINS		50K COMM. BINS	
15'	L=7"	36'	L=14"	90'	L=22"
18'	L=9"	39'	L=16"	105'	L=31"
21'	L=11"	42'	L=17"		
24'	L=12"	45'	L=19"		
27'	L=14"	48'	L=21"		
30'	L=16"	54'	L=24"		
33'	L=17"	60'	L=27"		
36'	L=19"	72'	L=38"		
39'	L=21"	75'	L=40"		
42'	L=22"	78'	L=42"		
45'	L=24"	90'	L=48"		
48'	L=26"	105'	L=57"		

NOTE: LENGTHS ABOVE ARE BASED ON 20" DIAMETER SPOUT.

SWOM0020
09/30/2015 JLT

ALL

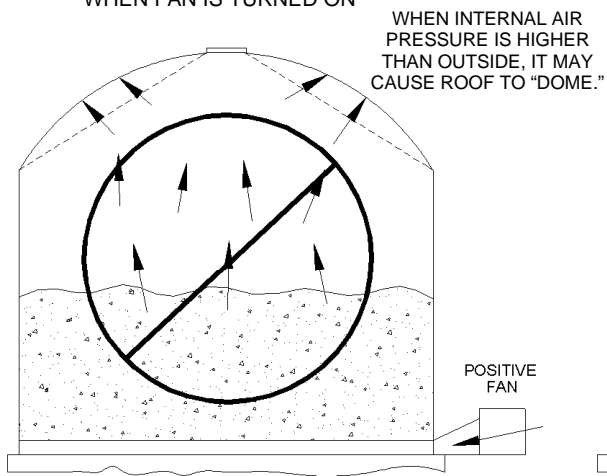
Ventilation

Grain bin roofs are not designed to withstand excessive air pressure differentials. General recommendations are 1 ft² (.093 M²) opening for every 1500 CFM (2550 m³/hr.) that fan will produce. Power roof vents may also be used.

Be alert to the possibility of frost buildup on air passage screens to the point of complete blockage. This may occur when high relative humidity, high grain temperatures or high grain moisture levels are combined with freezing or near freezing temperatures. Running fan(s) during these conditions can create frost buildup and airflow blockage causing roof to dome. Precautionary measures must be taken to prevent this condition. Keep peak and manhole lids closed during storage; open them whenever fans are run.

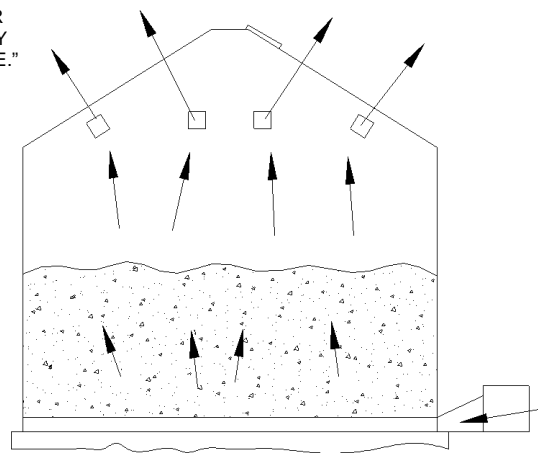
INCORRECT

FAILURE TO OPEN MANHOLE,
PEAK CAP AND ROOF VENTS
WHEN FAN IS TURNED ON

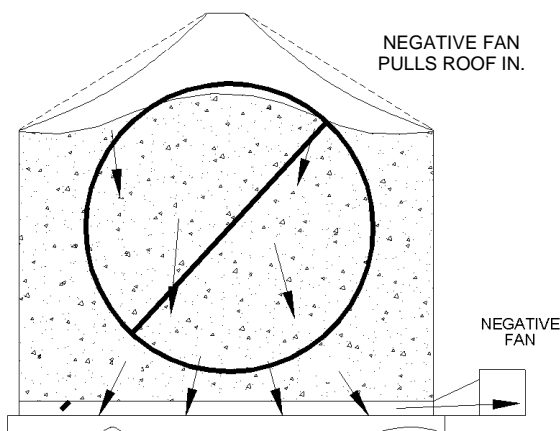


CORRECT

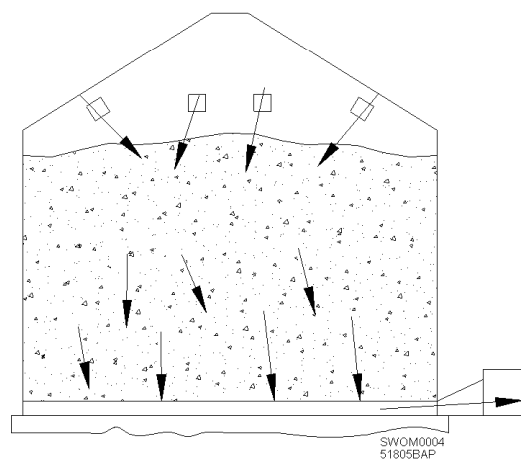
ROOF VENTS, PEAK CAP
AND MANHOLE OPEN



FAILURE TO HAVE
ADEQUATE ROOF VENTS
FOR AIR INLET



ADEQUATE ROOF
VENTS FOR AIR INLET

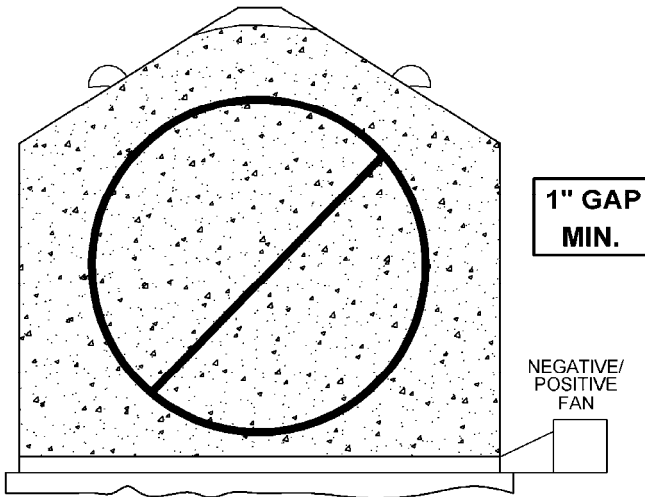


DO NOT USE NEGATIVE (SUCTION) AERATION.

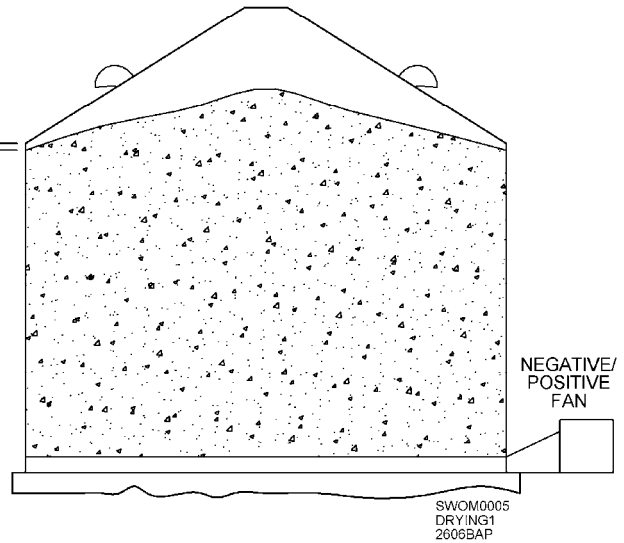
ALL

Ventilation

BLOCKED ROOF VENTS

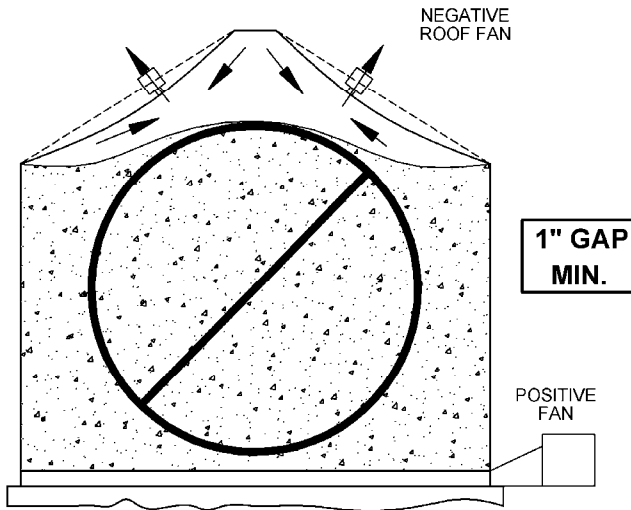


UNBLOCKED ROOF VENTS

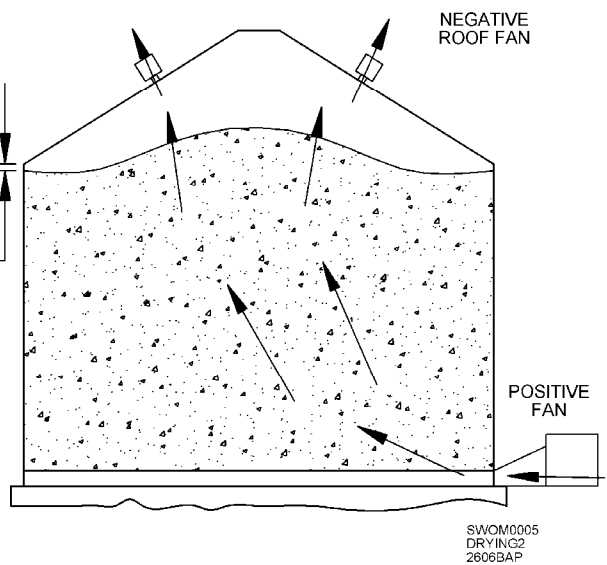


Do not pile grain against roof. Grain piled too high will block roof vents. Blockage of roof vents will restrict effective vent area by 95-98%, virtually eliminating vent area. Area above surface of grain must allow free movement of air to vents. Be aware of possibility that screens of roof vent may collect moisture and freeze shut. This can happen when high relative humidity, high grain temperatures, or high grain moisture levels are combined with freezing or near freezing temperatures. Do not run fan(s) during these conditions. Running fan(s) during these conditions can create frost buildup and airflow blockage causing roof to dome.

INCORRECT



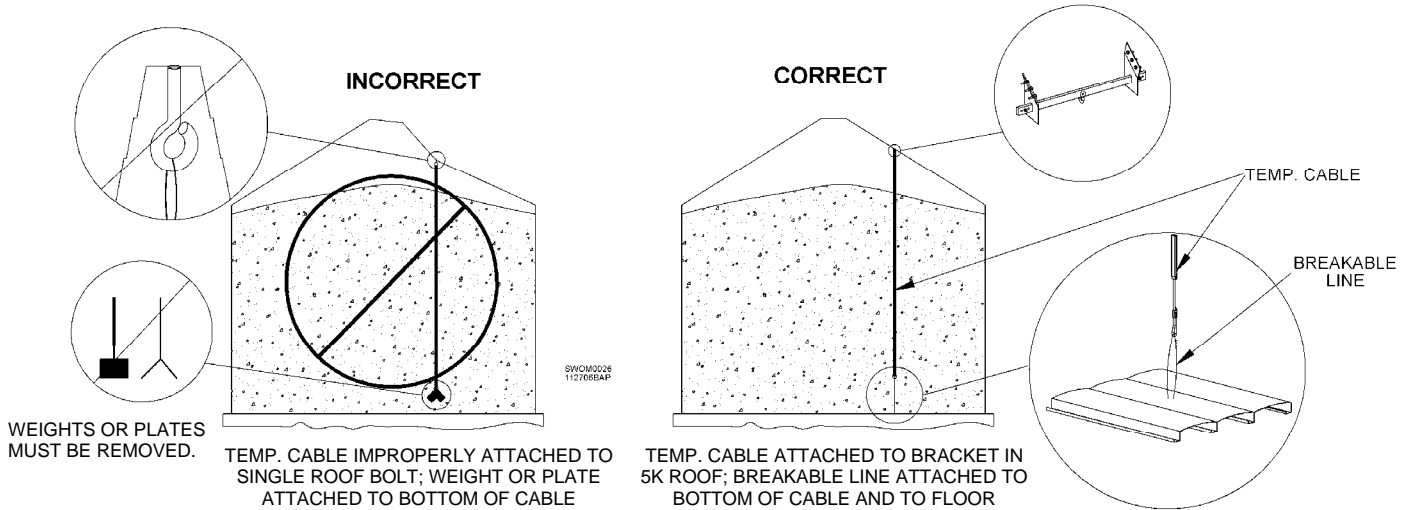
CORRECT



NOTICE: To prevent roof cave-ins, fans should be wired so negative air pressure (suction) roof fans start a few seconds after positive fan. This is done so air has enough time to be pushed through grain to replace air that leaves through roof. Failure to do this could result in roof failure.

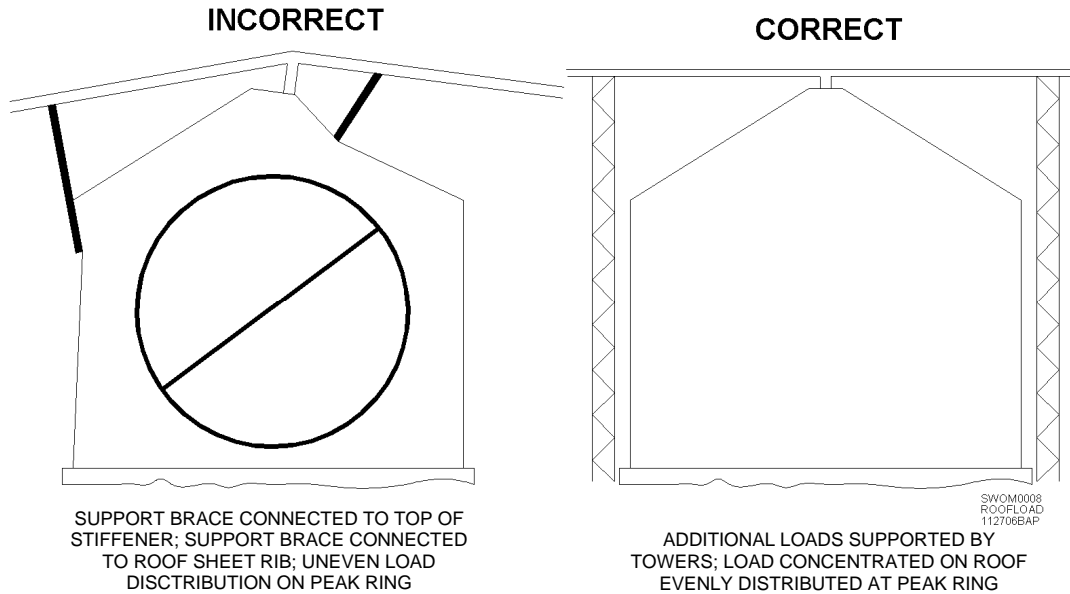
ALL

Temperature Cables



See roof section of Sukup bin erection manual for temperature cable installation instructions and support requirements. Also see temperature cable manufacturer's specifications. Cables are attached to brackets that are attached to two roof ribs on a 5K roof or to rafters on a 15K to 50K roof. **IMPORTANT:** Closed-loop eyebolts are required with use of temperature cable attachment brackets. **NOTICE: Improper installation of temperature cables may cause damage to roof due to down-pull when filling, settling or emptying of grain.** Tie cables to floor or concrete with breakable string (fishing line). **Absolutely NO weights or plates should be attached to bottoms of temperature cables.** For hopper bins, DO NOT allow temperature cables to extend into hopper area. See illustrations above.

Additional Loads

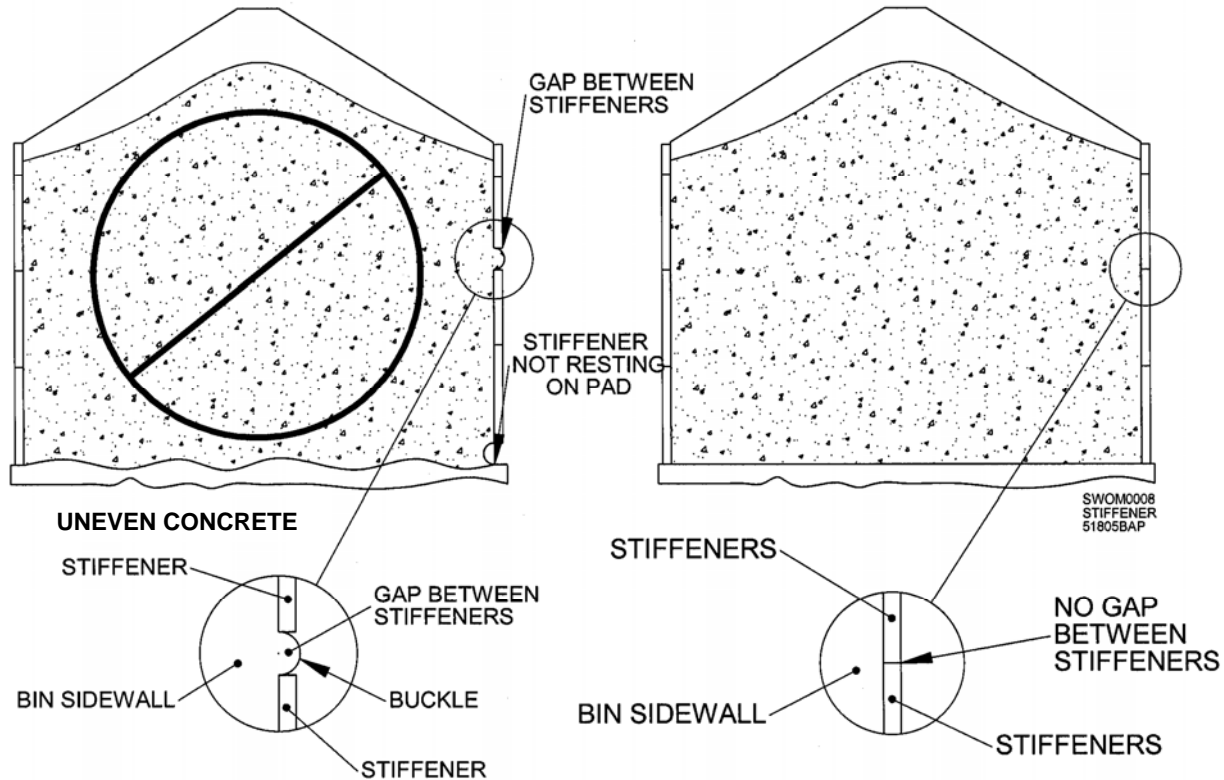


IMPORTANT: Loads created by additional components must not exceed bin design rating. Load ratings for standard Sukup bins are listed on cover sheet of bin price pages. Ratings for special Sukup Commercial bins are specified on quotation form. **All concentrated loads on roof must be UNIFORMLY DISTRIBUTED on peak ring.** Use of separate support towers may be needed to properly distribute overhead loads. **Extra loads should NOT be attached directly to a sidewall stiffener unless specifically designed for the application.** Due to settling, any connections made to bin must contain a properly designed slip joint. Components added incorrectly could cause structural damage to bin and void all warranties.

Stiffener Loads

INCORRECTLY INSTALLED

1. Gaps between stiffeners
2. Sidewall buckling
3. Stiffeners not resting on floor
4. Concrete not level



Stiffeners carry vertical load on bin wall, therefore serve as structural columns. They should be attached to sidewall and each other exactly as described in Sukup bin erection manual. They must form a continuous column from eave to concrete floor. Do not cut stiffeners for any reason. There should be no more than a 1/16" gap between stiffeners before initial fill.

If a fan transition would interfere with stiffener, relocate transition so it fits between stiffeners.

If a stiffener location is over a tunnel, alternative support must be provided. Weld square or round tube, minimum 3" wide, directly under stiffener column, with bottom of tube resting on concrete.

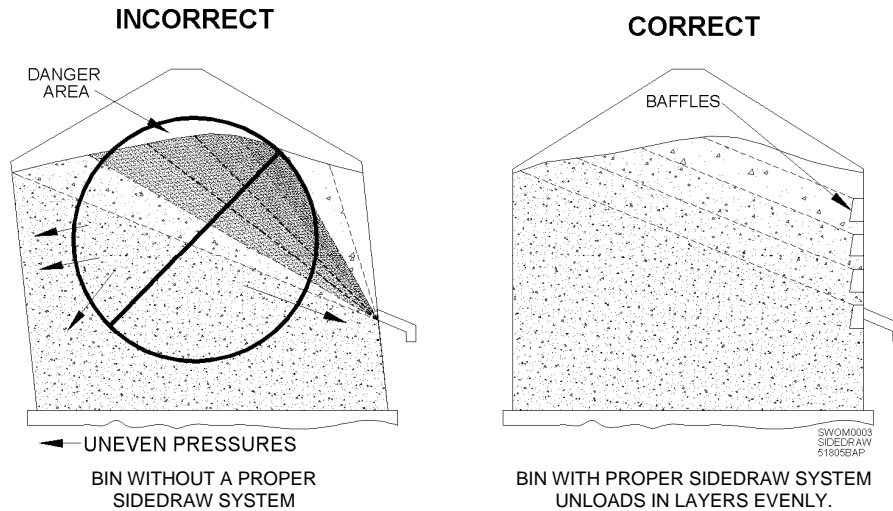
It is very important that bottom stiffener rest on concrete pad. Use shims to ensure there is no gap.

Depending on size and diameter of bin, stiffeners may need to be laminated (two continuous columns of stiffeners; one against sidewall and the other against the first). Laminated stiffeners will have staggered seams and no splice plates. See Sukup bin erection manual and color chart for proper assembly instructions.

Sidedraw

OFF-CENTER UNLOADING THROUGH SIDEWALL

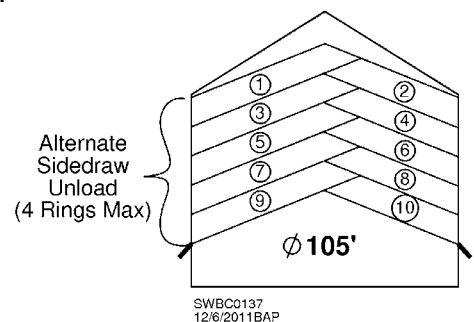
NOTICE: Use only Sukup-designed sidedraw discharge units and interior baffles with Sukup bins. Baffles help channel grain to discharge chute as grain flows from above. Never change function of a bin's intended use. Sukup bins are designed for specific amounts of grain and weight and to be loaded and unloaded in a certain manner. If bin was not intended for a sidedraw, unloading pressures may cause bin failure. Know the purpose for which bin was constructed.



NOTICE: Do not unload bin from sidewall without proper installation of a sidedraw system. Follow special guidelines below for bins with sidedraws. Failure to do so will result in excessive pressures that can result in sidewall leaning, buckling or other bin failure.

IMPORTANT GUIDELINES FOR SIDEDRAW USE

- Never add sidedraw to existing bin without consulting an independent engineer or obtaining written approval from Sukup Manufacturing Co. Bin may not be designed to accommodate a sidedraw.
- Intended for use with dry grain only. Do not use sidedraw with poorly flowing grain products.
- Do not use sidedraw until 90 days after first complete filling.
- If two sidedraws are installed, they must be placed at least 90° from one another in same ring. On a 105' bin, they must be placed 180° from each other in same ring.
- Only one sidedraw may be used at a time.
- Sidedraws are not to be used as primary outlets. Standard center sumps and conveyors should be installed. After sidedraw use, unload from center sump, then intermediate sumps, and then sweep bin.
- Do not unload from sidedraw and center sump at same time.
- Do not simultaneously fill and discharge.
- Sidedraw will leave grain in sloped position, creating off-center load. **IMPORTANT:** Before refilling, unload through center sump so grain reaches equal wall heights around entire bin. Grain must be level or in cone-down position before adding more grain. See next page.
- Sidedraw must be installed in center of a sidewall sheet that is no lower than fifth ring from bottom.
- Top discharge baffle must straddle horizontal seam between first and second rings from top of bin.
- Sukup Manufacturing Co. recommends alternate usage of sidedraws in bins 105' in diameter to reduce structural stress on bin. It is best to unload no more than four (4) rings of grain before switching to other sidedraw. Use illustration at right as a guide.

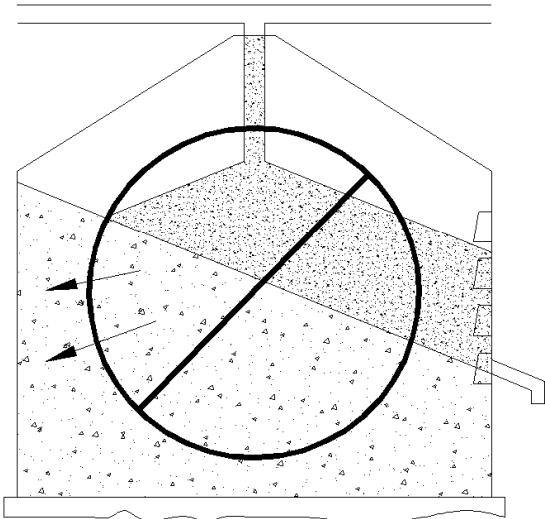


COMM.

Refilling after Sidedraw Use

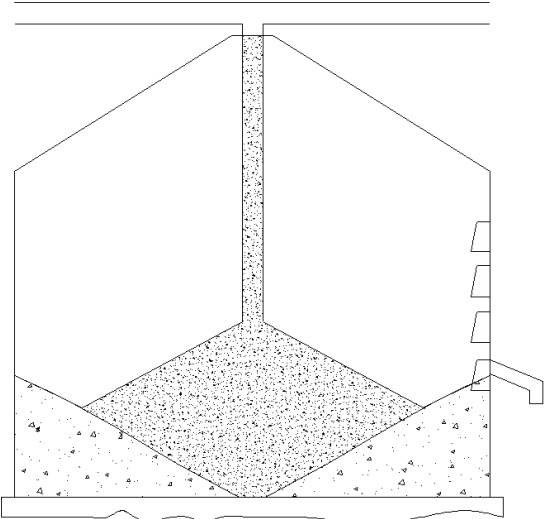
Before a bin can be refilled after being even partially unloaded with a sidedraw, grain must be leveled or completely emptied through center sump. **It is important that sidewall pressure is equal before refilling.** Unload grain through center sump until grain reaches equal wall heights and an inverted cone is formed in remaining grain. Once an inverted cone is achieved and sidewall pressures are equal, it is safe to refill bin through center peak ring. See drawings below.

INCORRECT



LOADING WITHOUT LEVELING OR EMPTYING GRAIN IN CONE-DOWN POSITION WILL CREATE UNEVEN SIDEWALL PRESSURES AND MAY CAUSE BIN FAILURE.

CORRECT



SWOM0003
INVERTCONE
1306BAP

BEFORE REFILLING AFTER SIDEDRAW USE, EMPTY THROUGH CENTER SUMP UNTIL INVERTED CONE IS ACHIEVED AND SIDEWALL PRESSURES ARE EQUAL. REFILL THROUGH CENTER PEAK RING.

NOTE: Design of baffles shown above can be used only with a sidedraw system. Intermediate sumps cannot be used as primary outlet. Unloading must be done through sidedraw, center sump and then intermediate sumps. **NOTICE: Never use intermediate sumps until all grain has flowed by gravity through center sump. Unloading through intermediate sumps initially will cause uneven load distribution that may cause bin damage or failure.**

Before a bin can be refilled, it should be completely emptied. Total cleanout of bin prevents build-up of compacted grain that cannot be emptied by gravity flow. Also, be certain no grain is matted to sidewall. If matting occurs, remove any moldy grain with a wire brush and repaint. Since grain cannot be completely emptied using sidedraw, grain must be emptied through center sump to form an inverted cone in remaining grain. Formation of inverted cone will help evenly distribute lateral forces on bin sidewalls.

HOPPER

Hopper Bins

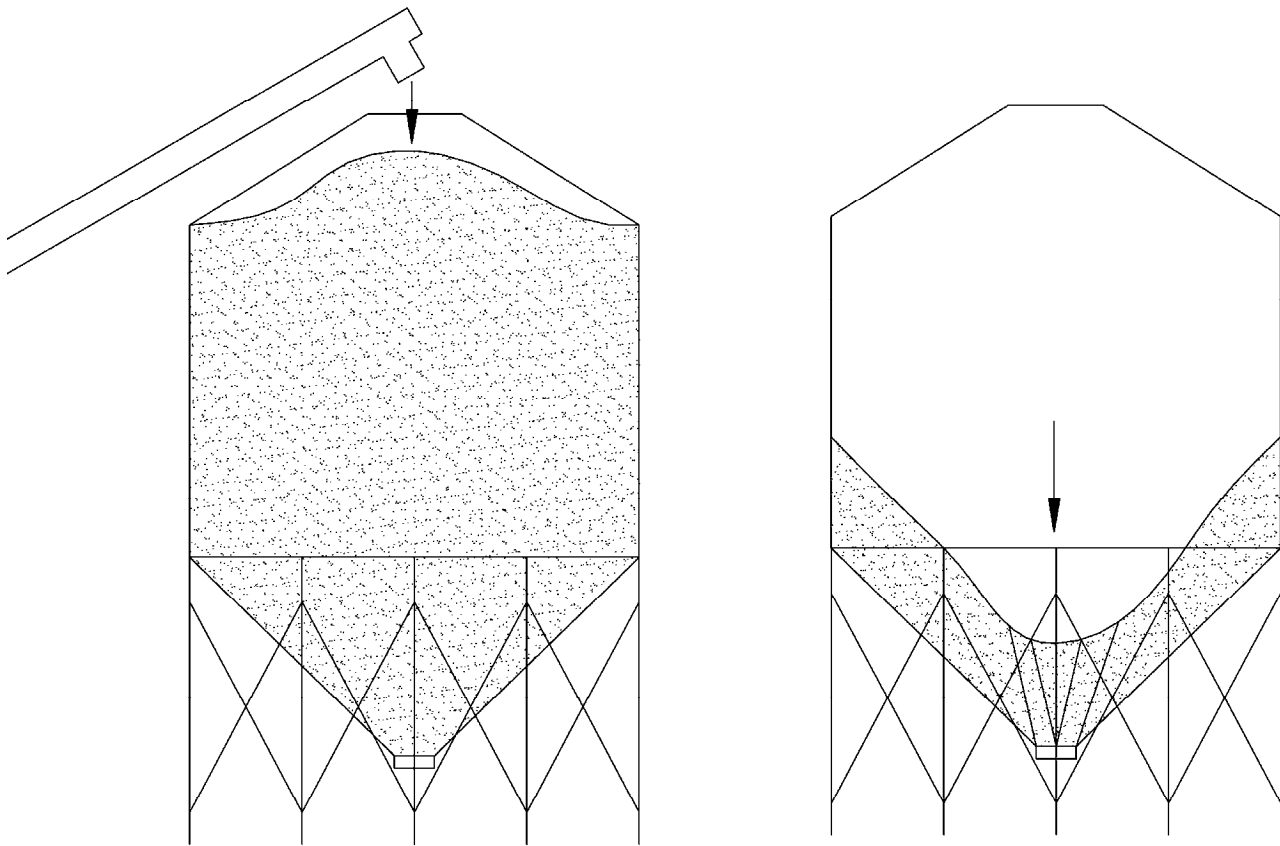
IMPORTANT: Hopper bins are not intended for drying. Grain should be dry and cool when put in a hopper bin for storage. Maximum allowable storage time for wet grain (over 16%) in a hopper bin may be only one to two days. Storing high-moisture or spoiled grains may deteriorate galvanized coating of bin. High-moisture grain may also cause grain to crust. Probe stored grain regularly to check its quality. Store only free-flowing material. Do not store hard-to-flow material such as soybean meal or other materials that will cake or crust. **NOTICE:** Unloading spoiled grain that is bridged or vertically crusted at a high rate of speed may cause uneven pressures resulting in hopper tank failure. Check inside of bin while unloading to ensure no vertical crusting is evident.

Approximate unloading capacities of hopper gates are based on clean, dry, free-flowing corn.

For standard 16" dia. gate: 19,000 BPH.

For optional 22" dia. gate: 40,000 BPH.

If using 22" dia. gate for commodities heavier than 40 lbs./ft.³, bin may require roof vents and heavier sidewalls. Contact Sukup Manufacturing Co. for special quote.



SWOM0010
3606BAP

Before filling hopper bin, be certain no objects or old grain remain inside. Thoroughly clean hopper bottom after each use and be certain bottom unload gate is completely closed. Keep all persons out of bin except when absolutely necessary. Refer to safety section for general guidelines on entering bins, ventilation, and using safety harnesses.

Loading must be done through peak ring. Off-center filling may cause excessive loads, which may result in bin leaning and/or sidewall stiffener buckling. Unloading must be done through outlet cone only. **NOTICE: Never cut holes in bin sidewall.** Off-center unloading will result in excessive down pressure and uneven load distribution that may cause sidewall buckling. **Also, if hopper bin is sealed tight at eave, peak ring cap and manhole must be opened when unloading grain.** Lack of proper roof openings for rapid unloading can cause roof to be pulled down.

Foundation Recommendations for Sukup Grain Bins

Site Selection

When selecting a site for grain storage and handling, many factors need to be considered. Site must allow convenient access for loading, unloading and related work if site is to become a grain system center.

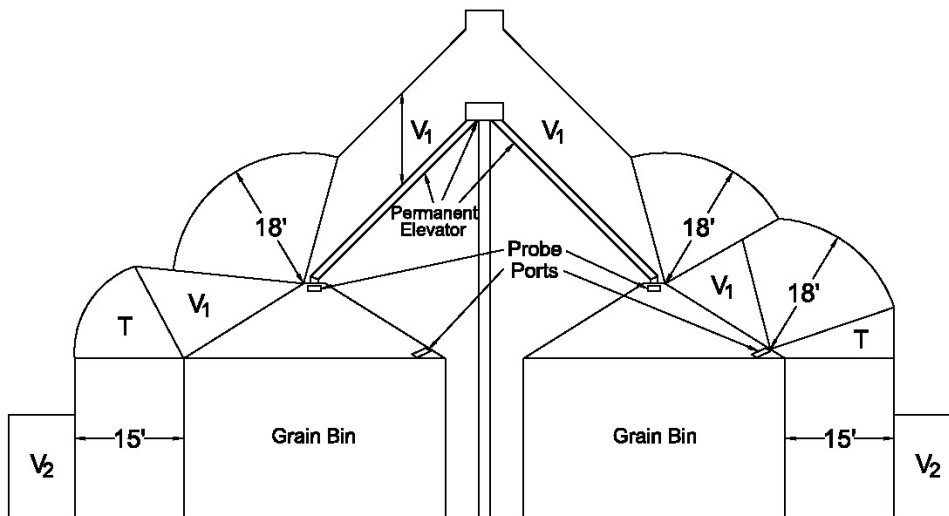
Site should have soil that is firm, level and free of vegetation and underlying debris. Any added fill should be thoroughly compacted to prevent uneven settlement from bin weight.

Locations of handling equipment, fans, heaters, ladders and stairways, etc., must be predetermined. Future expansion should be factored into site selection process, and careful consideration must be paid to access to electrical and gas lines, and to maintaining safe distances from power supply sources.

Electrical Clearances

Check with local electric utility for assistance in planning a safe grain storage and handling site. State codes may vary on clearances. To prevent overhead electrical safety issues, bury electrical lines.

American National Standards Institute (ANSI) provides safety recommendation for grain bins in ANSI C7 1997. Figures 1 and 2 show clearances for bins and grain handling equipment.



V_1 = Vertical clearance above a building required by Rule 234C (Table 234-1)

V_2 = Vertical clearance above land required by Rule 232

T = Transition clearance

Fig. 1 – Clearances for grain bins filled by permanently installed augers, conveyers or elevators. (ANSI C7 1997)

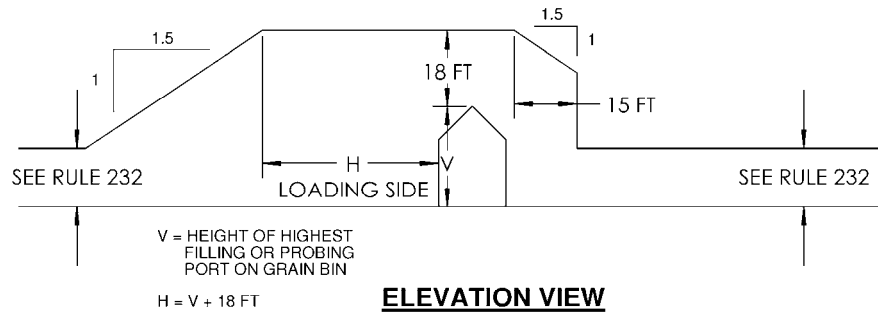
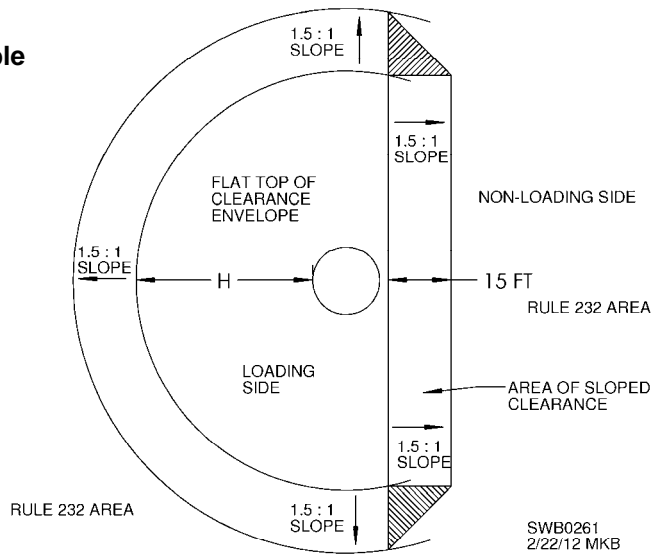


Fig. 2 -- Clearances for grain bins filled by portable augers, conveyors or elevators. (ANSI C7 1997)



Accessory Location

It is important that all components of grain bin be located properly to maximize efficiency and effectiveness of equipment. Most factors should be considered before foundation is poured. Double-check desired location of roof manhole, sidewall and roof ladders, eave and safety platform(s), conveyors, roof exhausters and walkway(s). Fig. 3 shows a typical layout for a farm-duty bin.

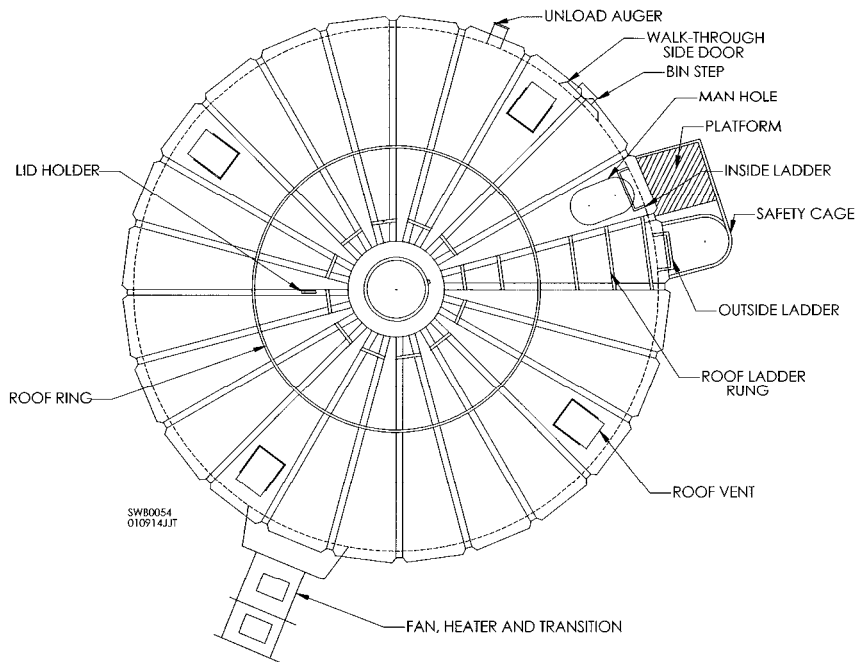


Fig. 3 – Suggested layout of bin components

Foundation Preparation Recommendations

DISCLAIMER: Sukup Manufacturing Co. assumes no responsibility regarding the foundation specifications. This is not an engineered foundation and shall not be constructed as such. The specifications given are intended for quoting and estimating purposes only. It shall be the sole responsibility of the customer to obtain actual foundation drawings designed by and constructed to the specifications of a licensed professional structural engineer with knowledge of the actual soil and load specific to the project and location. Consideration should also include, but not be limited to, live loads, dead loads, wind loads, soil bearing loads, seismic zone, proper moisture run-off on top of base, and types of aeration applied for the project.

Sukup Manufacturing Co. will not be responsible for any damage to a product, including, but not limited to, any damage that results from poor soil conditions or inadequate concrete type, grade, bearing strength, and construction method. Soil bearing tests must be performed by a competent, independent, engineering firm. Concrete foundation construction must be done by a competent, concrete contractor.

Check local and/or regional building codes and regulations to ensure compliance.

All backfill material used in foundation preparations should be clean, crushed stone or sand/gravel mixture of a highly compactable material. Backfill should be layered up in 6" lifts and well compacted.

Concrete Specifications

Cement is to be Type 1 Portland Cement that conforms to ASTM C150.

Maximum aggregate size is to be 3/4 of minimum clear spacing between reinforcing bars and/or wire mesh.

Concrete must be 3,000 psi compressive strength at 28 days cured minimum.

Concrete is to be cured at 50°F or above and kept moist for a minimum of seven (7) days.

Foundation surface should not vary from level by more than 1/4" in 10 feet or more than 1/4" from specified elevation. Uneven surface may cause bin failure.

Elevation of surface above grade should not exceed 6".

A beveled edge around foundation allows water to run off of surface.

Reinforcing Steel

Steel reinforcing bar (rebar) should conform to ASTM A615 or ASTM A617 and be Grade 60 or better.

To properly size diameter of rebar for specific bin size, consult bin specifications chart.

All circumferential bar laps should be 35 bar diameters and staggered by 3' minimum.

All laps of circumferential bar (rebar) must be continuous, connected by wire tie or weld. If tunnel is present, additional rebar must be used above and below tunnel.

Number 6 (6" x 6") wire mesh may be used. Overlap of wire mesh should be 6 inches minimum.

Anchor Bolts

Follow specifications on subsequent pages for appropriate size foundation and anchor bolts.

Placing Anchor Bolts

STEP 1: Find anchor radius based on diameter of bin being built (Anchor radius is noted to left of Anchor Placement drawing).

STEP 2: Scribe anchor radius into concrete.

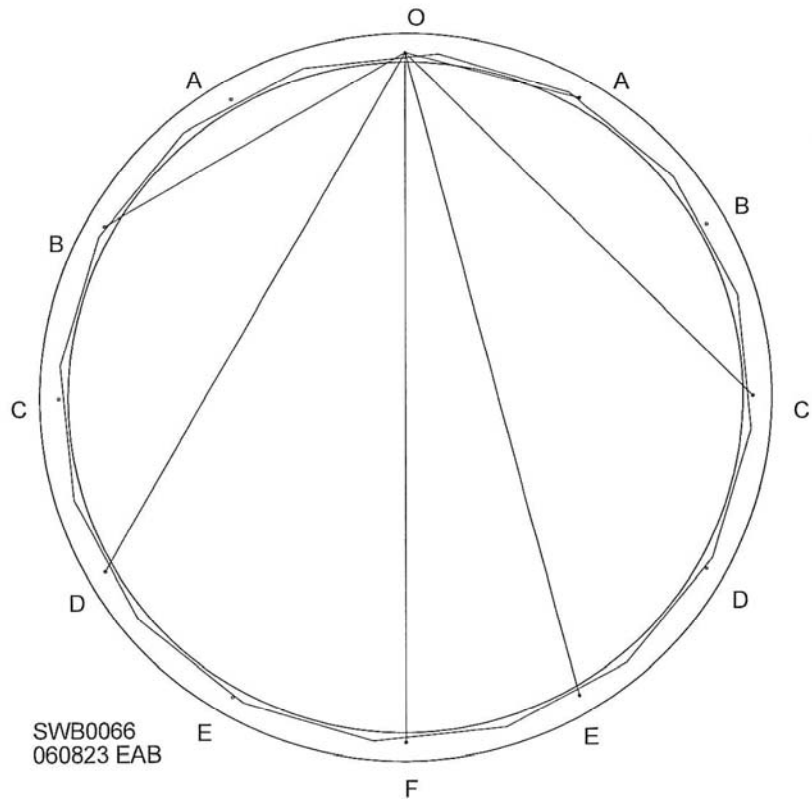
STEP 3: Determine where origin point will be. Have one person hold tape measure there. Have other person hold tape measure at distances shown at left of Anchor Placement drawing. Mark spots on radius – A, B, C, etc. – for anchor points. Repeat this step on other side until all anchor points are marked on radius.

STEP 4: Place an anchor at every marked point. These will be at stiffener locations.

18' DIAMETER ANCHOR PLACEMENT

POINT	DISTANCE
A	4' 9 3/16"
B	9' 2 1/2"
C	13' 1/4"
D	15' 11 3/8"
E	17' 9 1/2"
F	18' 5"

CONCRETE RADIUS: See Chart
ANCHOR RADIUS: 9' 2 1/2"
BIN RADIUS: 8' 11 7/16"

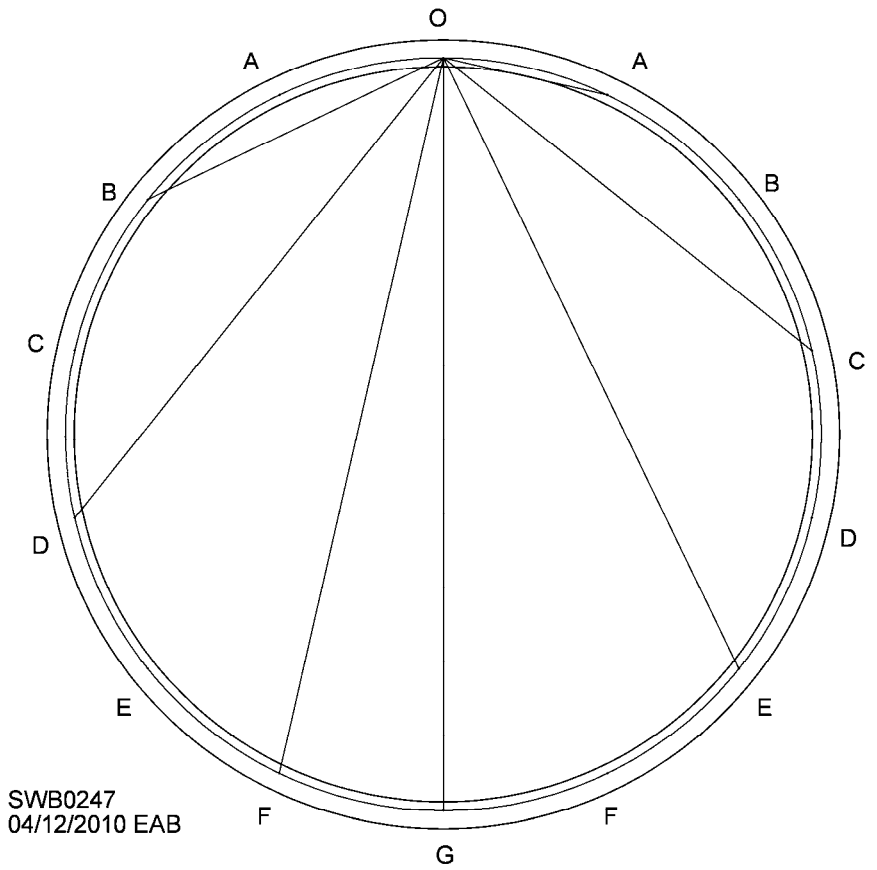


21' DIAMETER COMMERCIAL BIN ANCHOR PLACEMENT

POINT DISTANCE

A	4' 9 1/8"
B	9' 3 3/8"
C	13' 4 1/16"
D	16' 8 3/4"
E	19' 3 5/16"
F	20' 10 5/16"
G	21' 4 3/4"

CONCRETE RADIUS: See Chart
 ANCHOR RADIUS: 10' 8 3/8"
 BIN RADIUS: 10' 5 5/16"



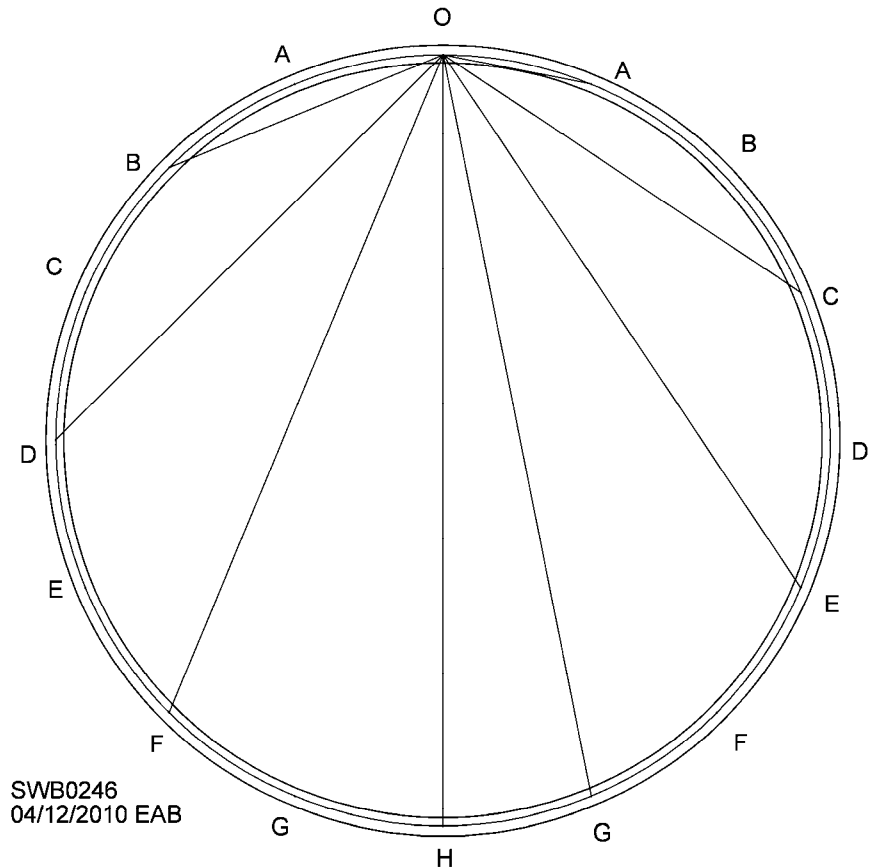
SWB0247
 04/12/2010 EAB

24' DIAMETER COMMERCIAL BIN ANCHOR PLACEMENT

POINT DISTANCE

A	4' 9 1/16"
B	9' 4"
C	13' 6 9/16"
D	17' 2 15/16"
E	20' 3 5/16"
F	22' 6 3/8"
G	23' 11"
H	24' 4 5/8"

CONCRETE RADIUS: See Chart
 ANCHOR RADIUS: 12' 2 5/16"
 BIN RADIUS: 11' 11 1/4"

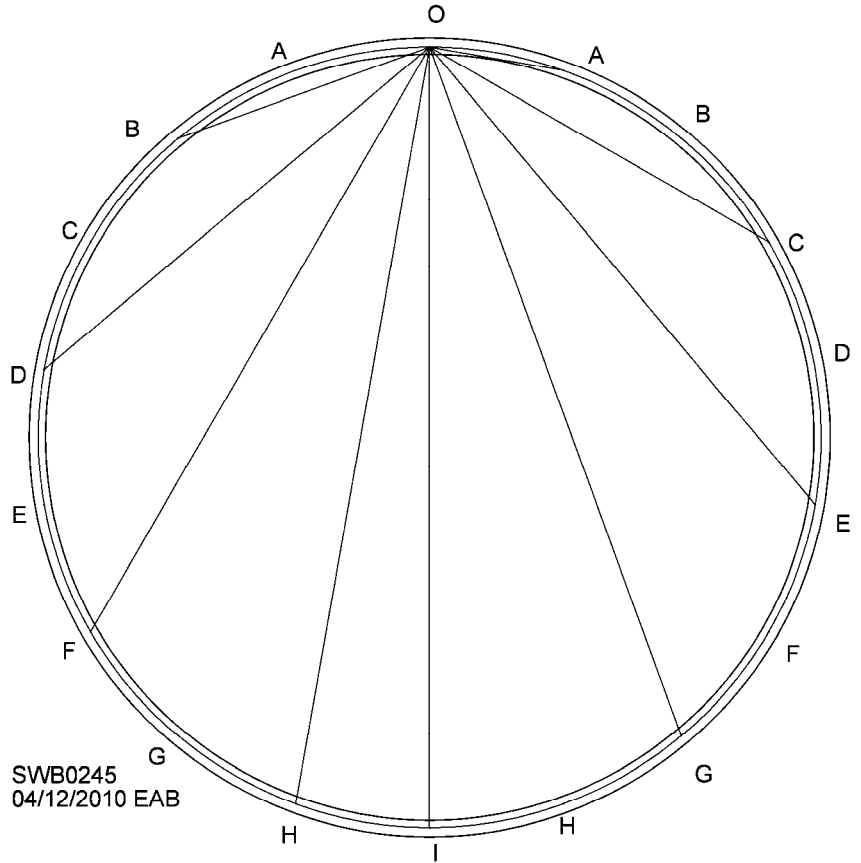


SWB0246
 04/12/2010 EAB

**27' DIAMETER
COMMERCIAL BIN
ANCHOR PLACEMENT**

POINT	DISTANCE
A	4' 9 1/16"
B	9' 4 5/16"
C	13' 8 3/16"
D	17' 7 1/8"
E	20' 11 5/8"
F	23' 8 7/16"
G	25' 8 5/8"
H	26' 11 7/16"
I	27' 4 7/16"

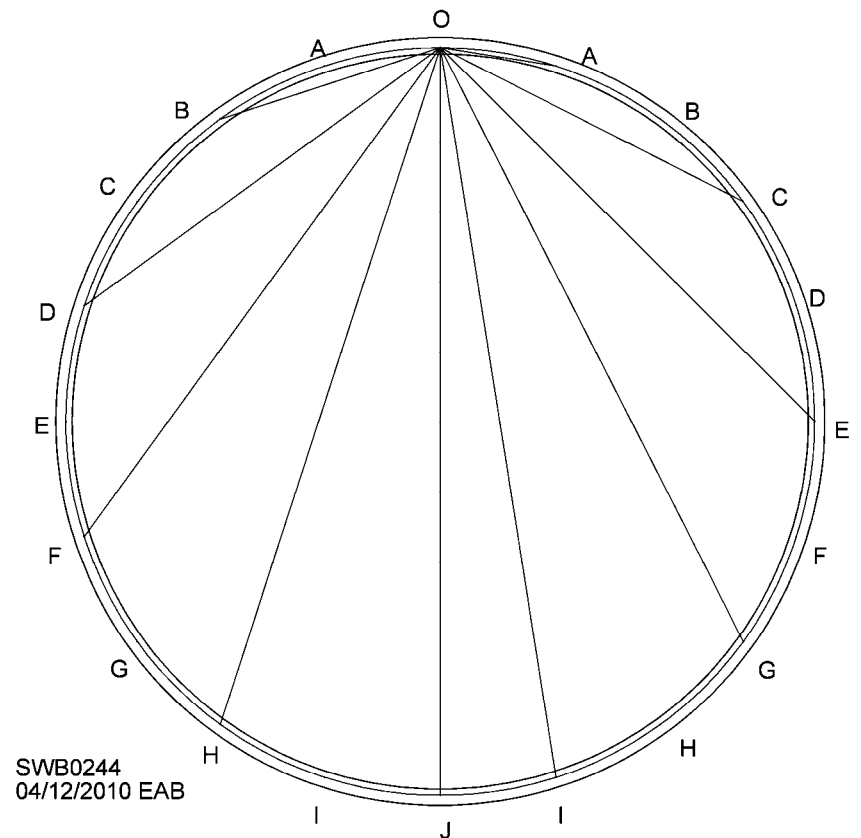
CONCRETE RADIUS: See Chart
ANCHOR RADIUS: 13' 8 3/16"
BIN RADIUS: 13' 5 1/8"



**30' DIAMETER
COMMERCIAL BIN
ANCHOR PLACEMENT**

POINT	DISTANCE
A	4' 9"
B	9' 4 9/16"
C	13' 9 3/8"
D	17' 10 1/8"
E	21' 5 9/16"
F	24' 6 11/16"
G	27' 9/16"
H	28' 10 7/16"
I	29' 11 3/4"
J	30' 4 1/4"

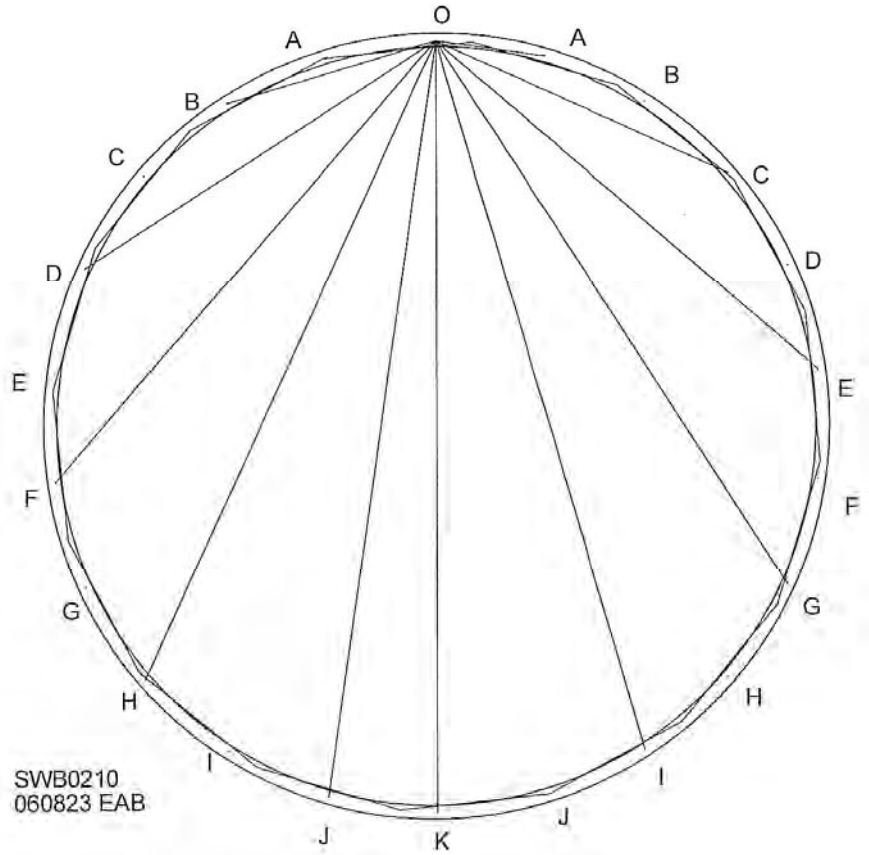
CONCRETE RADIUS: See Chart
ANCHOR RADIUS: 15' 2 1/8"
BIN RADIUS: 14' 11 1/32"



33' DIAMETER COMMERCIAL BIN ANCHOR PLACEMENT

POINT	DISTANCE
A	4' 8 15/16"
B	9' 4 11/16"
C	13' 10 3/16"
D	18' 5/16"
E	21' 10"
F	25' 2 3/8"
G	28' 9/16"
H	30' 3 15/16"
I	31' 11 7/8"
J	33'
K	33' 4 1/16"

CONCRETE RADIUS: See Chart
ANCHOR RADIUS: 16' 8"
BIN RADIUS: 16' 4 15/16"

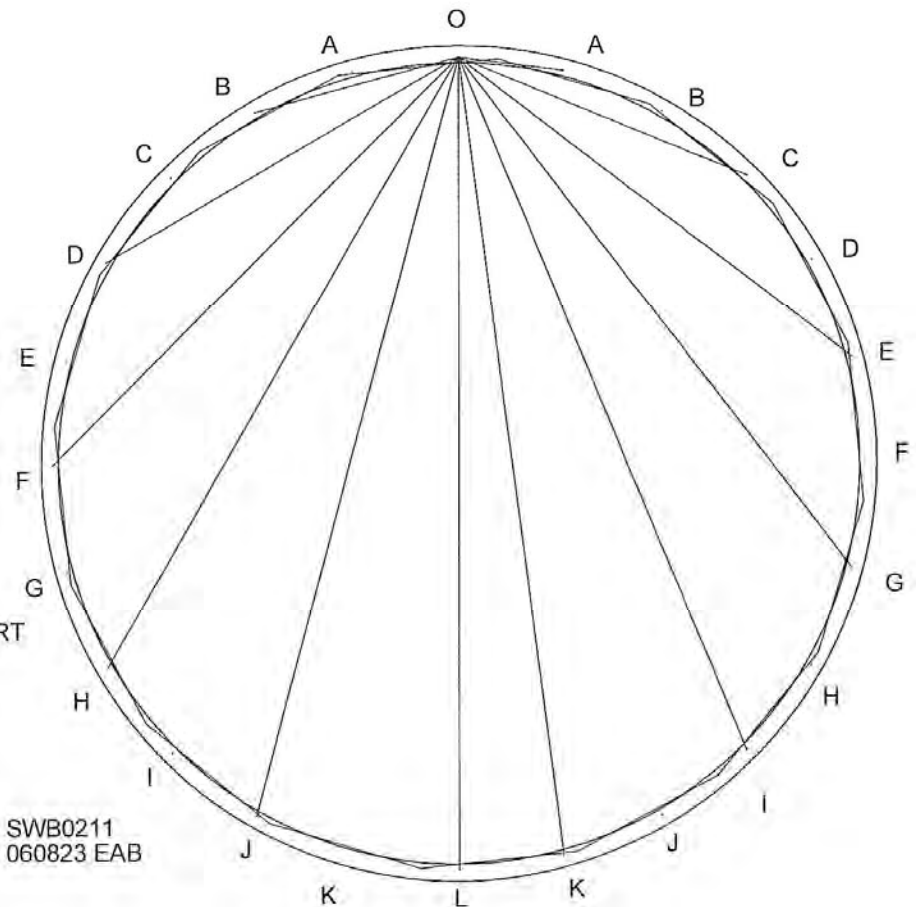


SWB0210
060823 EAB

36' DIAMETER COMMERCIAL BIN ANCHOR PLACEMENT

POINT	DISTANCE
A	4' 8 7/8"
B	9' 4 13/16"
C	13' 10 13/16"
D	18' 1 15/16"
E	22' 1 3/8"
F	25' 8 3/16"
G	28' 9 13/16"
H	31' 5 1/2"
I	33' 6 11/16"
J	35' 1"
K	36' 1/8"
L	36' 3 7/8"

CONCRETE RADIUS: SEE CHART
ANCHOR RADIUS: 18' 1 15/16"
BIN RADIUS: 17' 10 7/8"



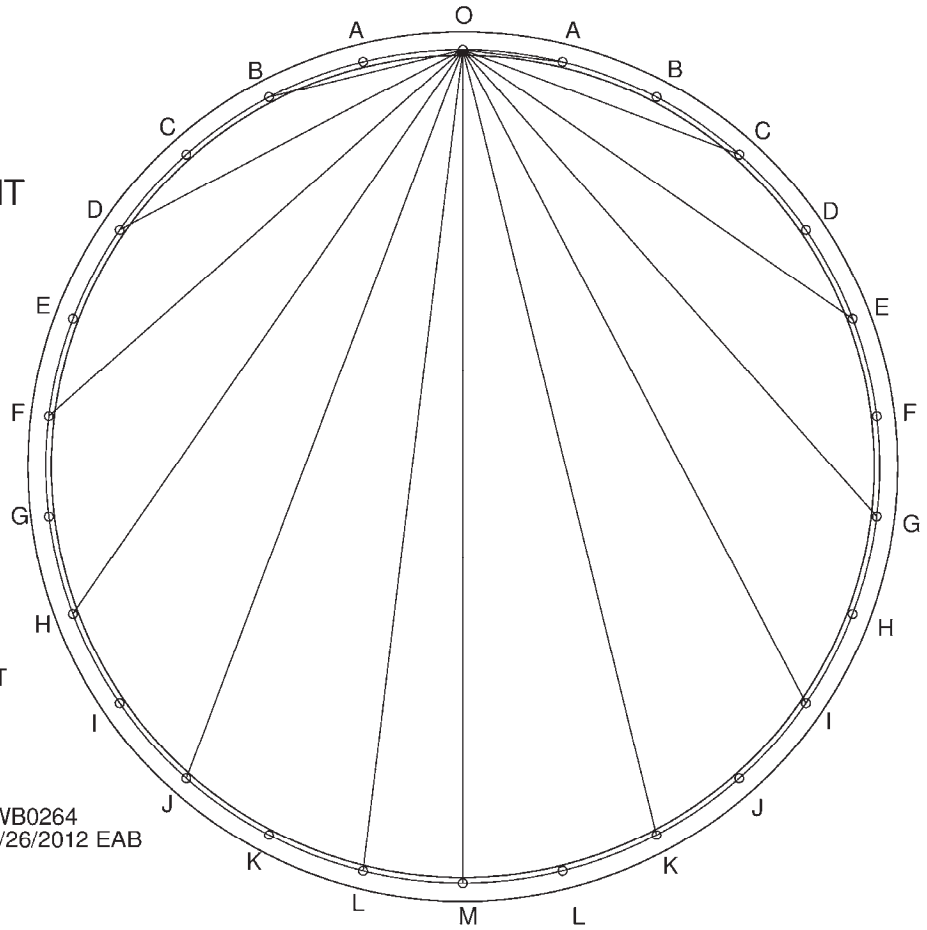
SWB0211
060823 EAB

39' DIAMETER COMMERCIAL BIN ANCHOR PLACEMENT

POINT	DISTANCE
A	4' 8 7/8"
B	9' 4 7/8"
C	13' 11 1/4"
D	18' 3 3/16"
E	22' 3 15/16"
F	26' 13/16"
G	29' 5 1/16"
H	32' 4 3/16"
I	34' 9 11/16"
J	36' 9 1/16"
K	38' 2"
L	39' 1/4"
M	39' 3 11/16"

CONCRETE RADIUS: SEE CHART
ANCHOR RADIUS: 19' 7 7/8"
BIN RADIUS: 19' 4 3/4"

SWB0264
03/26/2012 EAB

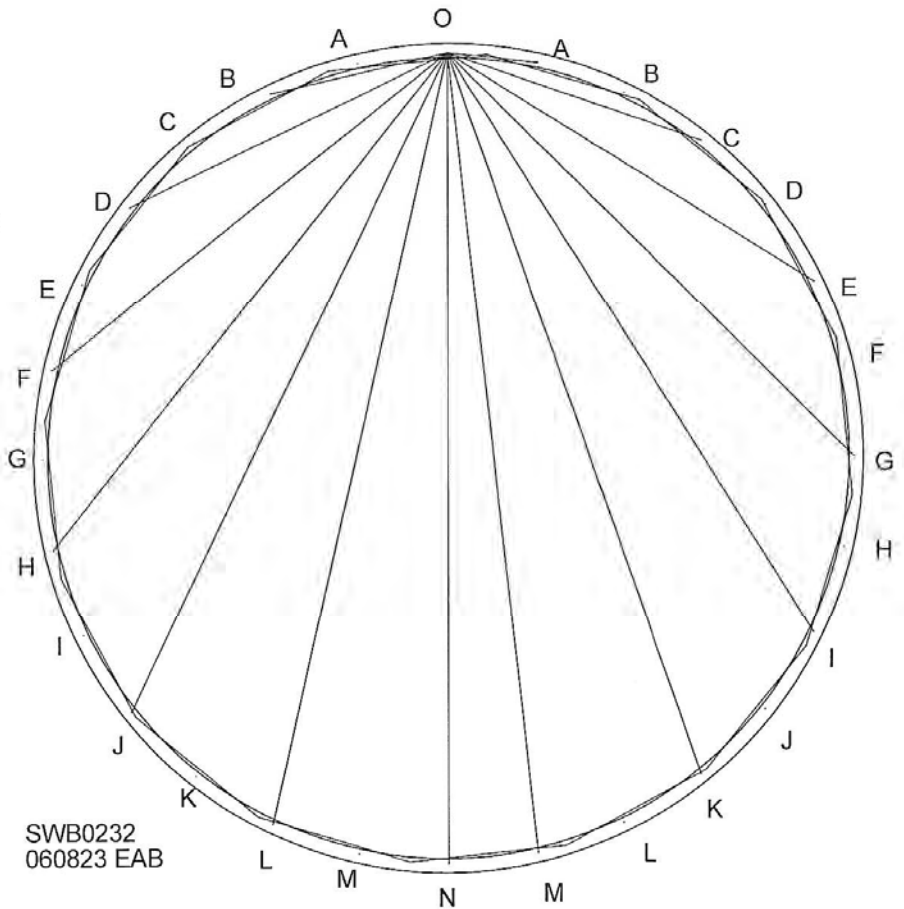


42' DIAMETER COMMERCIAL BIN ANCHOR PLACEMENT

POINT	DISTANCE
A	4' 8 13/16"
B	9' 4 15/16"
C	13' 11 5/8"
D	18' 4 3/16"
E	22' 6"
F	26' 4 7/16"
G	29' 10 7/8"
H	33' 3/4"
I	35' 9 11/16"
J	38' 1 1/4"
K	39' 11"
L	41' 2 3/4"
M	42' 5/16"
N	42' 3 1/2"

CONCRETE RADIUS: See Chart
ANCHOR RADIUS: 21' 1 3/4"
BIN RADIUS: 20' 10 11/16"

SWB0232
060823 EAB

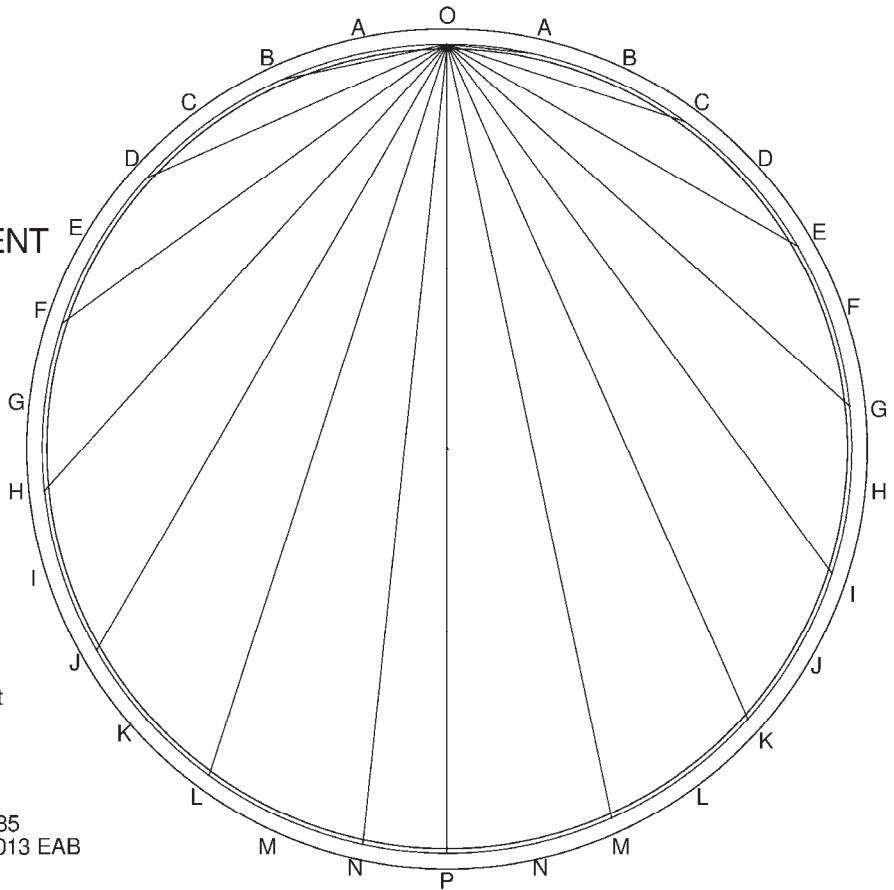


**45' DIAMETER
ANCHOR PLACEMENT**

POINT	DISTANCE
A	4' 8 13/16"
B	9' 4 15/16"
C	13' 11 7/8"
D	18' 5"
E	22' 7 5/8"
F	26' 7 5/16"
G	30' 3 1/2"
H	33' 7 3/4"
I	36' 7 1/2"
J	39' 2 1/2"
K	41' 4 5/16"
L	43' 11/16"
M	44' 3 3/8"
N	45' 5/16"
P	45' 3 1/4"

CONCRETE RADIUS: See Chart
 ANCHOR RADIUS: 22' 7 5/8"
 BIN RADIUS: 22' 4 9/16"

SWB0285
 03/26/2013 EAB

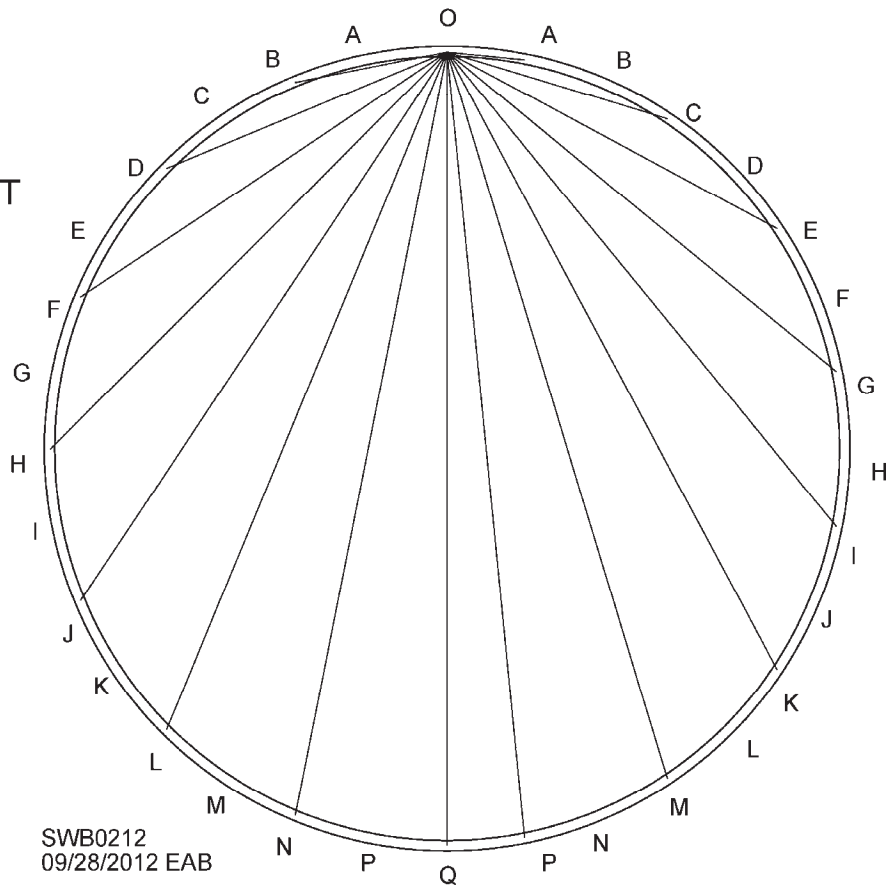


**48' DIAMETER
COMMERCIAL BIN
ANCHOR PLACEMENT**

POINT	DISTANCE
A	4' 8 3/4"
B	9' 5"
C	14' 1 1/16"
D	18' 5 5/8"
E	22' 8 15/16"
F	26' 9 11/16"
G	30' 7 3/8"
H	34' 1 7/16"
I	37' 3 5/8"
J	40' 1 1/2"
K	42' 6 11/16"
L	44' 7"
M	46' 2 1/8"
N	47' 3 15/16"
P	48' 1/4"
Q	48' 3 1/16"

CONCRETE RADIUS: SEE CHART
 ANCHOR RADIUS: 24' 1 1/2"
 BIN RADIUS: 23' 10 1/2"

SWB0212
 09/28/2012 EAB



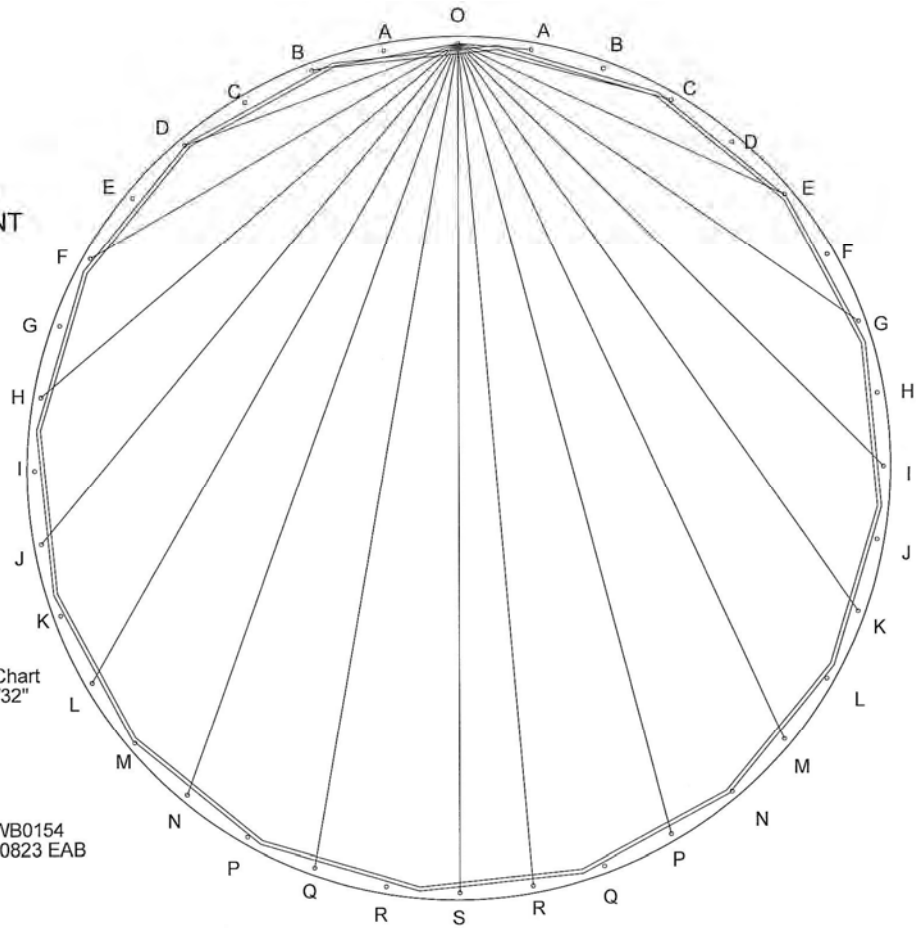
**54' DIAMETER
COMMERCIAL BIN
ANCHOR PLACEMENT**

POINT DISTANCE

A	4' 8 23/32"
B	9' 5"
C	14' 13/32"
D	18' 6 9/16"
E	22' 11"
F	27' 1 11/32"
G	31' 1 7/32"
H	34' 10 1/4"
I	38' 4 3/32"
J	41' 6 15/32"
K	44' 5"
L	46' 11 1/2"
M	49' 1 23/32"
N	50' 11 7/16"
P	52' 4 17/32"
Q	53' 4 13/16"
R	54' 7/32"
S	54' 2 11/16"

CONCRETE RADIUS: See Chart
ANCHOR RADIUS: 27' 1 11/32"
BIN RADIUS: 26' 10 5/16"

SWB0154
060823 EAB



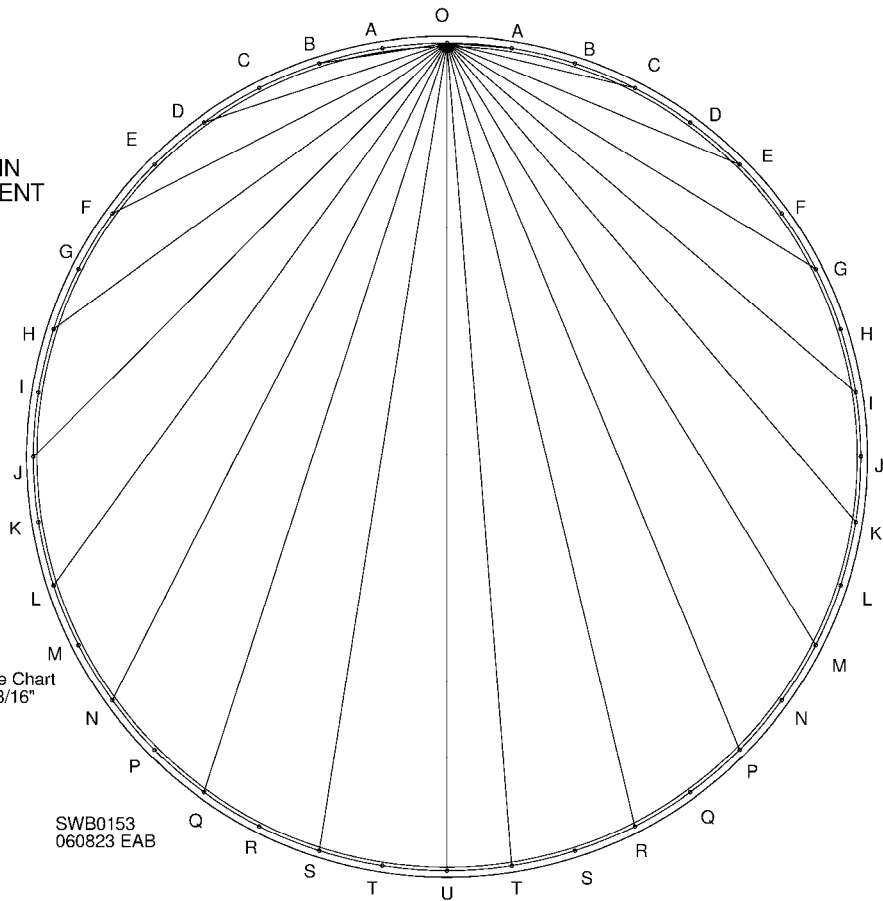
**60' DIAMETER
COMMERCIAL BIN
ANCHOR PLACEMENT**

POINT DISTANCE

A	4' 8 11/16"
B	9' 5"
C	14' 5/8"
D	18' 7 3/16"
E	23' 7/16"
F	27' 3 15/16"
G	31' 5 7/16"
H	35' 4 9/16"
I	39' 1 1/8"
J	42' 6 3/4"
K	45' 9 1/4"
L	48' 8 3/8"
M	51' 3 7/8"
N	53' 7 5/8"
P	55' 7 5/16"
Q	57' 3"
R	58' 6 3/8"
S	59' 5 7/16"
T	60' 1/8"
U	60' 2 5/16"

CONCRETE RADIUS: See Chart
ANCHOR RADIUS: 30' 1 3/16"
BIN RADIUS: 29' 10 1/8"

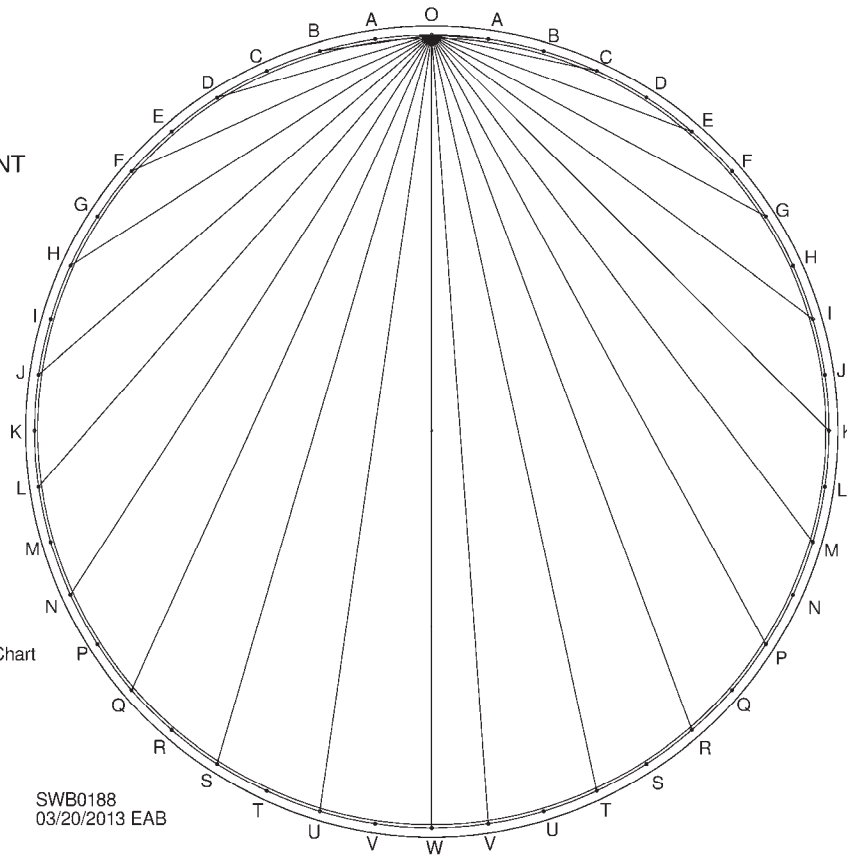
SWB0153
060823 EAB



**66' DIAMETER
COMMERCIAL BIN
ANCHOR PLACEMENT**

POINT	DISTANCE
A	4' 8 5/8"
B	9' 5"
C	14' 3/4"
D	18' 7 11/16"
E	23' 1 7/16"
F	27' 5 13/16"
G	31' 8 1/2"
H	35' 9 1/4"
I	39' 7 13/16"
J	43' 3 15/16"
K	46' 9 7/16"
L	50'
M	52' 11 9/16"
N	55' 7 15/16"
P	58' 13/16"
Q	60' 2 3/16"
R	61' 11 7/8"
S	63' 5 13/16"
T	64' 7 13/16"
U	65' 5 7/8"
V	65' 11 15/16"
W	66' 1 5/16"

CONCRETE RADIUS: See Chart
ANCHOR RADIUS: 33' 1"
BIN RADIUS: 32' 9 15/16"

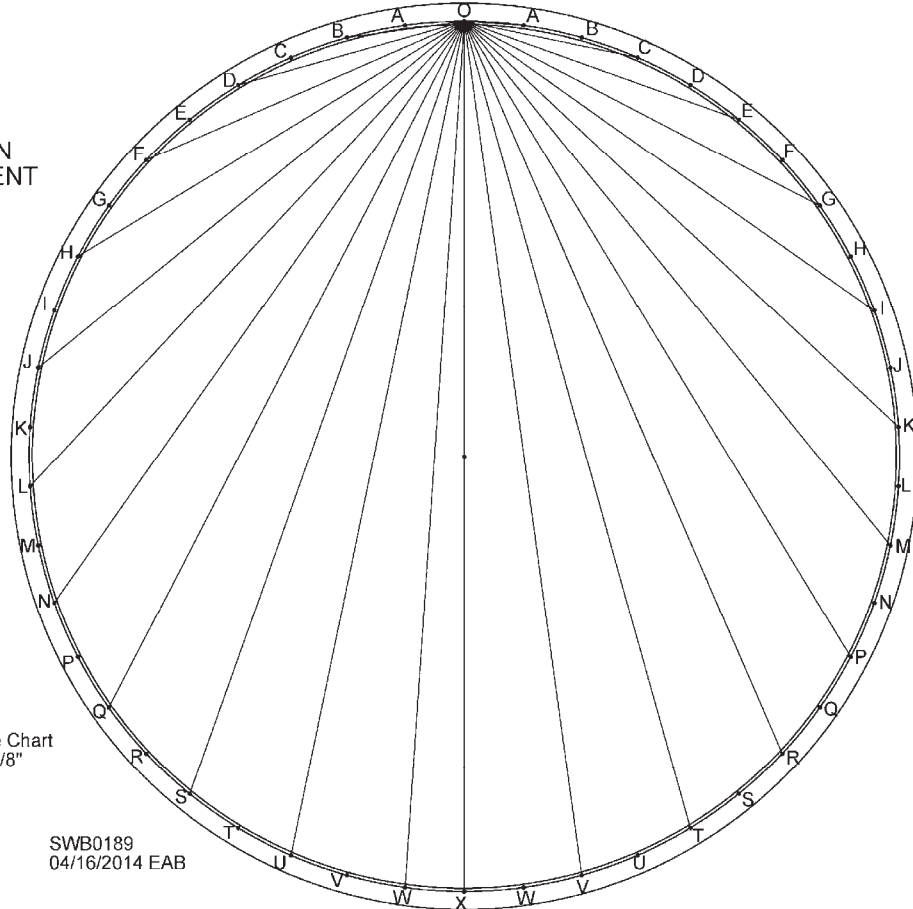


SWB0188
03/20/2013 EAB

**69' DIAMETER
COMMERCIAL BIN
ANCHOR PLACEMENT**

POINT	DISTANCE
A	4' 8 5/8"
B	9' 5"
C	14' 13/16"
D	18' 7 7/8"
E	23' 1 7/8"
F	27' 6 9/16"
G	31' 9 3/4"
H	35' 11 1/8"
I	39' 10 1/2"
J	43' 7 5/8"
K	47' 2 3/8"
L	50' 6 7/16"
M	53' 7 5/8"
N	56' 5 7/8"
P	59' 15/16"
Q	61' 4 3/4"
R	63' 5 1/16"
S	65' 1 7/8"
T	66' 7"
U	67' 8 7/16"
V	68' 6 1/16"
W	68' 11 13/16"
X	69' 1 3/4"

CONCRETE RADIUS: See Chart
ANCHOR RADIUS: 34' 6 7/8"
BIN RADIUS: 34' 3 13/16"



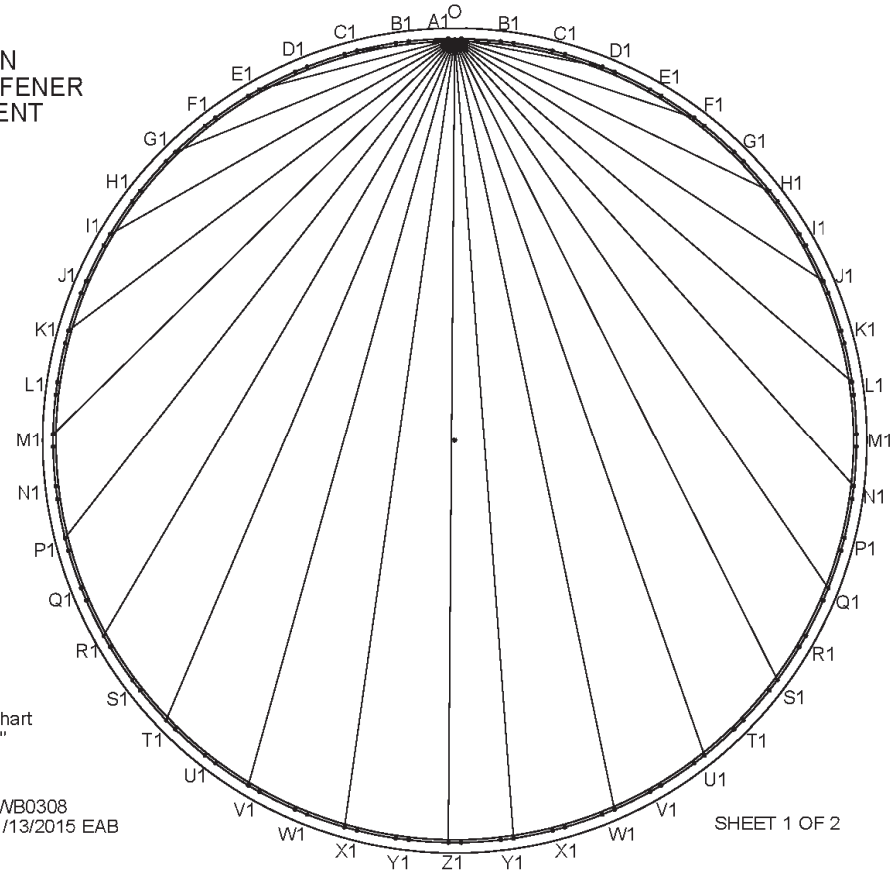
SWB0189
04/16/2014 EAB

**72' DIAMETER
COMMERCIAL BIN
2 ANCHORS PER STIFFENER
ANCHOR PLACEMENT**

POINT	DISTANCE
A1	7"
B1	4' 1 5/8"
C1	8' 10 1/32"
D1	13' 5 31/32"
E1	18' 1 1/4"
F1	22' 7 9/16"
G1	27' 3/4"
H1	31' 4 1/2"
I1	35' 6 11/16"
J1	39' 7"
K1	43' 5 5/16"
L1	47' 1 3/8"
M1	50' 7 1/32"
N1	53' 10 3/32"
P1	56' 10 3/8"
Q1	59' 7 23/32"
R1	62' 2 1/32"
S1	64' 5 1/8"
T1	66' 4 29/32"
U1	68' 1 9/32"
V1	69' 6 3/16"
W1	70' 7 15/32"
X1	71' 5 5/32"
Y1	71' 11 5/32"
Z1	72' 1 15/32"

CONCRETE RADIUS: See Chart
ANCHOR RADIUS: 36' 25/32"
BIN RADIUS: 35' 9 3/4"

SWB0308
01/13/2015 EAB



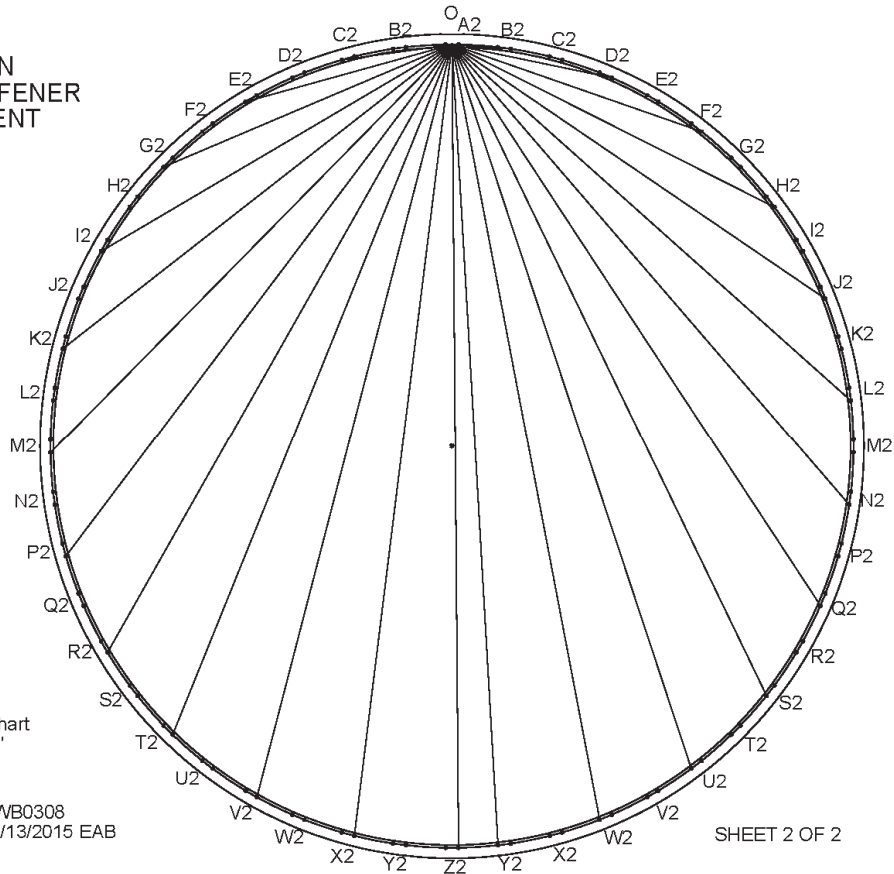
SHEET 1 OF 2

**72' DIAMETER
COMMERCIAL BIN
2 ANCHORS PER STIFFENER
ANCHOR PLACEMENT**

POINT	DISTANCE
A2	7"
B2	5' 3 19/32"
C2	9' 11 29/32"
D2	14' 7 23/32"
E2	19' 2 3/4"
F2	23' 8 13/16"
G2	28' 1 21/32"
H2	32' 5 1/16"
I2	36' 6 13/16"
J2	40' 6 21/32"
K2	44' 4 7/16"
L2	47' 11 29/32"
M2	51' 4 15/16"
N2	54' 7 5/16"
P2	57' 6 29/32"
Q2	60' 3 1/2"
R2	62' 9 1/32"
S2	64' 11 5/16"
T2	66' 10 9/32"
U2	68' 5 25/32"
V2	69' 9 13/16"
W2	70' 10 7/32"
X2	71' 7"
Y2	72' 3/32"
Z2	72' 1 15/32"

CONCRETE RADIUS: See Chart
ANCHOR RADIUS: 36' 25/32"
BIN RADIUS: 35' 9 3/4"

SWB0308
01/13/2015 EAB

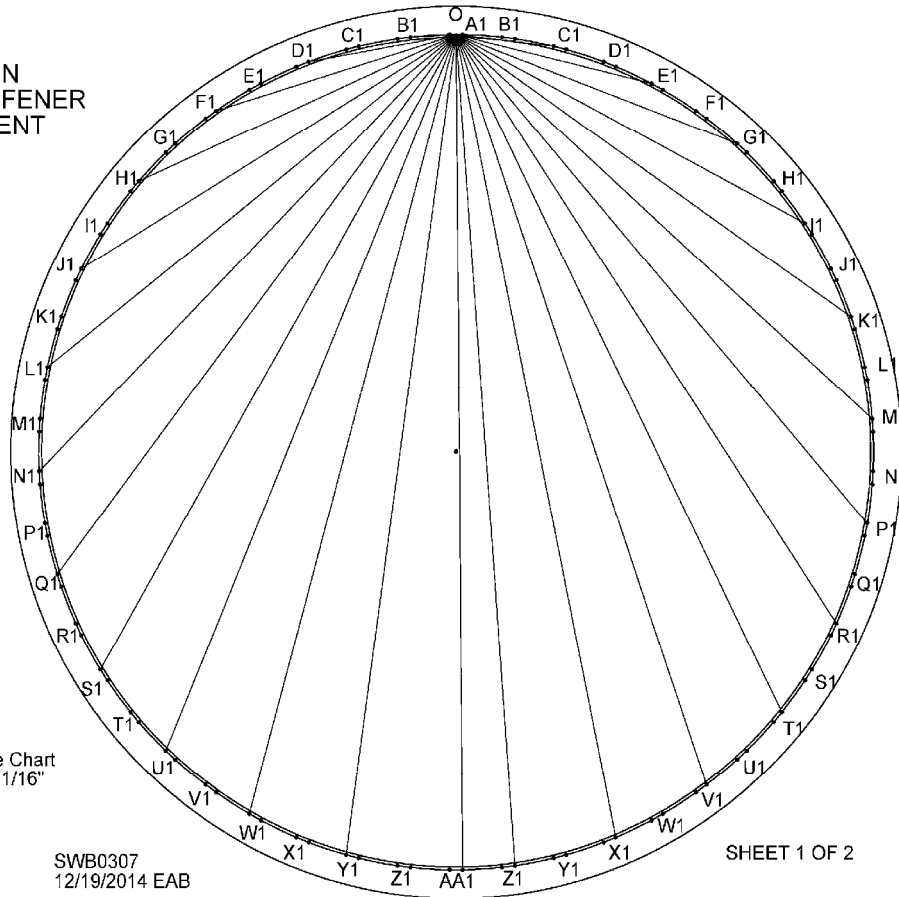


SHEET 2 OF 2

75' DIAMETER
COMMERCIAL BIN
2 ANCHORS PER STIFFENER
ANCHOR PLACEMENT

POINT	DISTANCE
A1	7"
B1	4' 1 5/8"
C1	8' 10 1/32"
D1	13' 6 1/32"
E1	18' 1 3/8"
F1	22' 7 7/8"
G1	27' 1 5/16"
H1	31' 5 7/16"
I1	35' 8 3/32"
J1	39' 9 1/16"
K1	43' 8 1/8"
L1	47' 5 5/32"
M1	50' 11 29/32"
N1	54' 4 1/4"
P1	57' 6 1/32"
Q1	60' 5 3/32"
R1	63' 1 9/32"
S1	65' 6 1/2"
T1	67' 8 19/32"
U1	69' 7 15/32"
V1	71' 3 1/16"
W1	72' 7 9/32"
X1	73' 8 1/16"
Y1	74' 5 3/8"
Z1	74' 11 1/8"
AA1	75' 1 11/32"

CONCRETE RADIUS: See Chart
ANCHOR RADIUS: 37' 6 11/16"
BIN RADIUS: 37' 3 5/8"



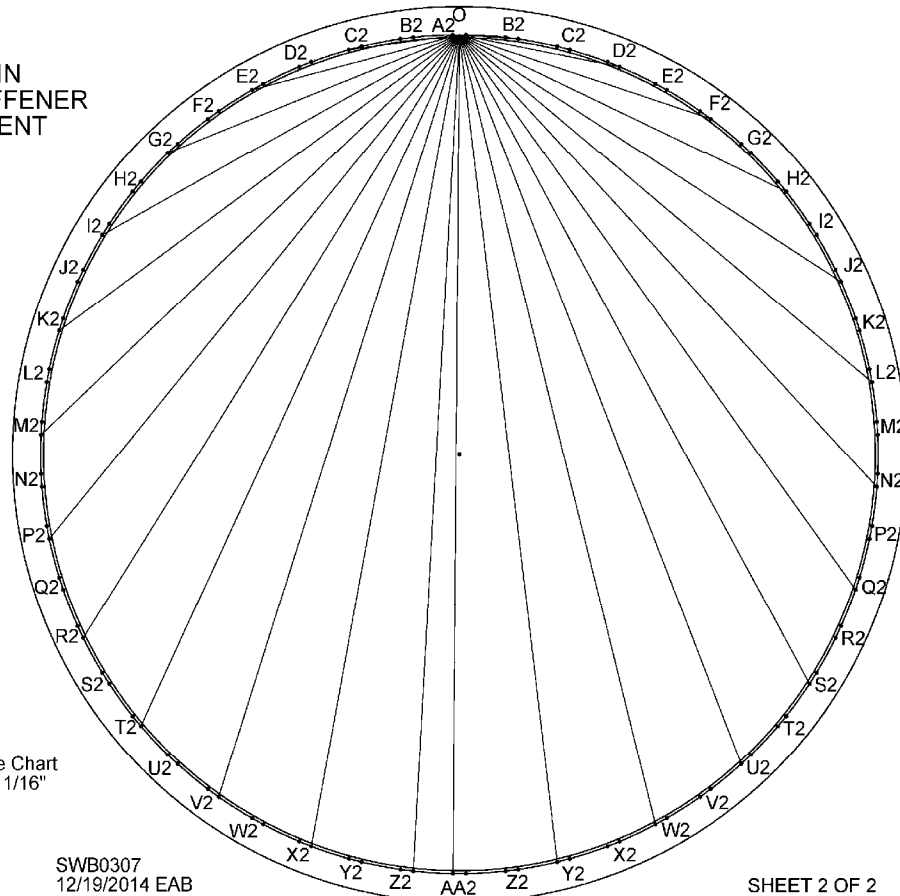
SWB0307
12/19/2014 EAB

SHEET 1 OF 2

75' DIAMETER
COMMERCIAL BIN
2 ANCHORS PER STIFFENER
ANCHOR PLACEMENT

POINT	DISTANCE
A2	7"
B2	5' 3 19/32"
C2	9' 11 29/32"
D2	14' 7 25/32"
E2	19' 2 15/16"
F2	23' 9 3/16"
G2	28' 2 5/16"
H2	32' 6 3/32"
I2	36' 8 3/8"
J2	40' 8 7/8"
K2	44' 7 15/32"
L2	48' 3 15/16"
M2	51' 10 1/8"
N2	55' 1 27/32"
P2	58' 2 31/32"
Q2	61' 1 5/16"
R2	63' 8 25/32"
S2	66' 1 7/32"
T2	68' 2 17/32"
U2	70' 5/8"
V2	71' 7 13/32"
W2	72' 10 25/32"
X2	73' 10 11/16"
Y2	74' 7 1/8"
Z2	75'
AA2	75' 1 11/32"

CONCRETE RADIUS: See Chart
ANCHOR RADIUS: 37' 6 11/16"
BIN RADIUS: 37' 3 5/8"



SWB0307
12/19/2014 EAB

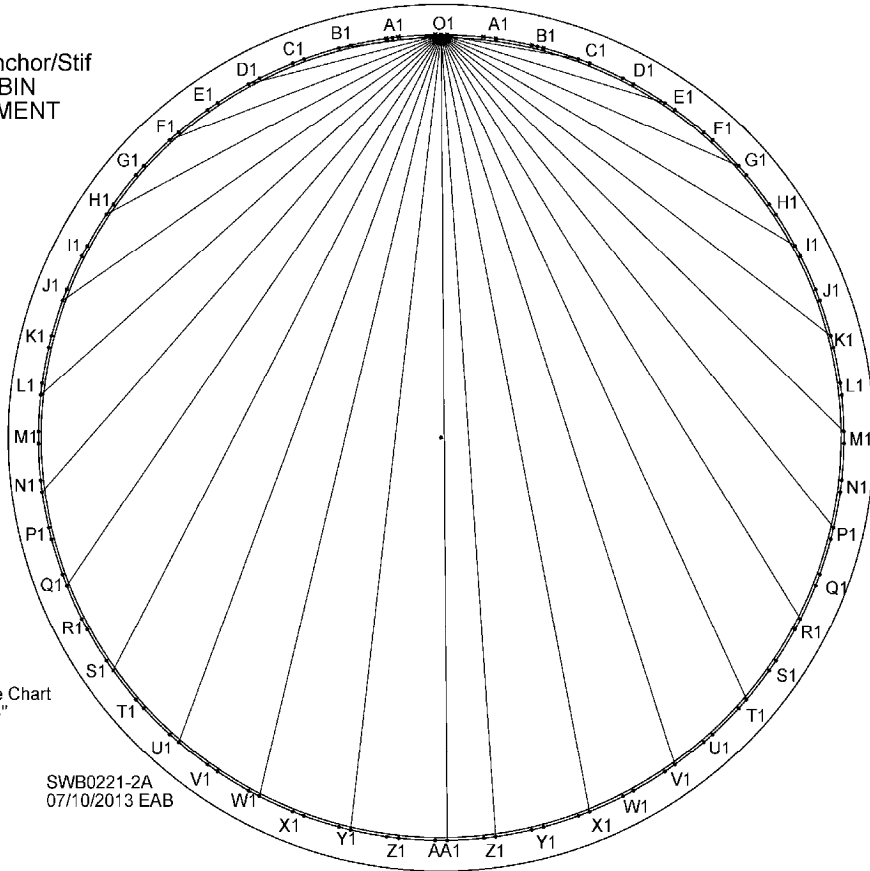
SHEET 2 OF 2

78' DIAMETER - 2 Anchor/Stif
COMMERCIAL BIN
ANCHOR PLACEMENT

POINT	DISTANCE
O1	7"
A1	4' 1 5/8"
B1	9' 11 15/16"
C1	13' 6 3/32"
D1	19' 3 1/8"
E1	22' 8 7/32"
F1	28' 2 31/32"
G1	31' 6 11/32"
H1	36' 9 27/32"
I1	39' 10 31/32"
J1	44' 10 9/32"
K1	47' 8 5/8"
L1	52' 2 7/8"
M1	54' 9 29/32"
N1	58' 10 5/16"
P1	61' 1 19/32"
Q1	64' 7 15/32"
R1	68' 6 19/32"
S1	69' 5 5/16"
T1	70' 11 31/32"
U1	73' 3"
V1	74' 4 29/32"
W1	75' 11 27/32"
X1	76' 8 13/16"
Y1	77' 7 7/16"
Z1	77' 11 9/32"
AA1	78' 1 13/32"

CONCRETE RADIUS: See Chart
ANCHOR RADIUS: 39' 3/4"
BIN RADIUS: 38' 9 1/2"

SWB0221-2A
07/10/2013 EAB

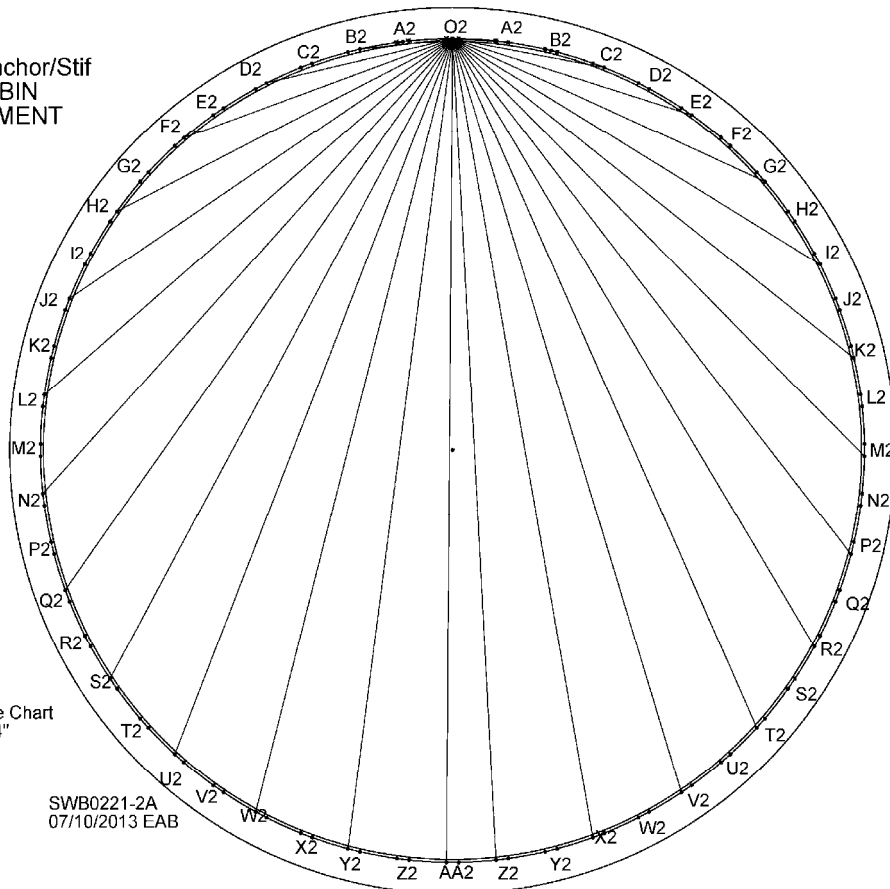


78' DIAMETER - 2 Anchor/Stif
COMMERCIAL BIN
ANCHOR PLACEMENT

POINT	DISTANCE
O2	7"
A2	5' 3 19/32"
B2	8' 10 1/32"
C2	14' 7 7/8"
D2	16' 1 17/32"
E2	23' 9 9/16"
F2	27' 1 7/8"
G2	32' 7 1/8"
H2	35' 9 7/16"
I2	40' 10 31/32"
J2	43' 10 3/4"
K2	48' 7 5/8"
L2	51' 4 3/8"
M2	55' 7 13/16"
N2	58' 1 1/32"
P2	61' 10 1/4"
Q2	63' 11 1/2"
R2	67' 1 27/32"
S2	68' 10 25/32"
T2	71' 5 23/32"
U2	72' 10 1/32"
V2	74' 9 1/16"
W2	75' 8 1/2"
X2	76' 11 11/32"
Y2	77' 5 3/4"
Z2	78' 1/8"
AA2	78' 1 13/32"

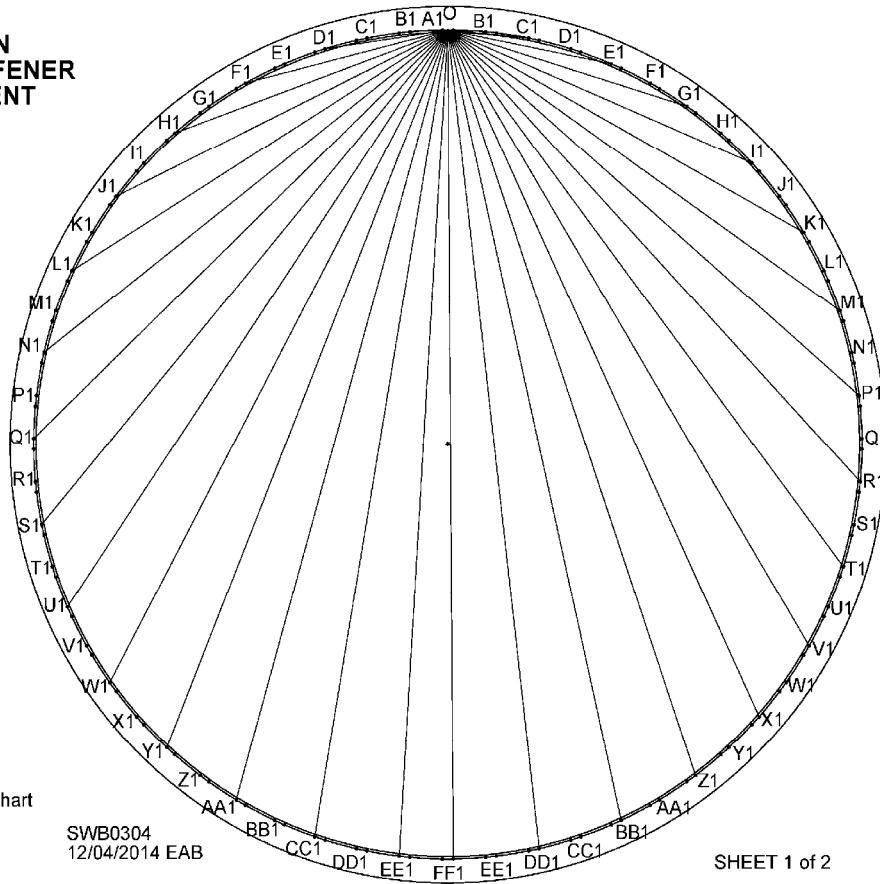
CONCRETE RADIUS: See Chart
ANCHOR RADIUS: 39' 3/4"
BIN RADIUS: 38' 9 1/2"

SWB0221-2A
07/10/2013 EAB



**90' DIAMETER
COMMERCIAL BIN
2 ANCHORS PER STIFFENER
ANCHOR PLACEMENT**

POINT	DISTANCE
A1	7"
B1	4' 1 9/16"
C1	8' 9 31/32"
D1	13' 6 3/32"
E1	18' 1 25/32"
F1	22' 8 7/8"
G1	27' 3 3/16"
H1	31' 8 5/8"
I1	36' 1 1/32"
J1	40' 4 1/4"
K1	44' 6 1/8"
L1	48' 6 9/16"
M1	52' 5 3/8"
N1	56' 2 15/32"
P1	59' 9 23/32"
Q1	63' 3"
R1	66' 6 3/16"
S1	69' 7 7/32"
T1	72' 5 15/16"
U1	75' 2 9/32"
V1	77' 8 1/8"
W1	79' 11 7/16"
X1	82' 1/8"
Y1	83' 10 1/8"
Z1	85' 5 11/32"
AA1	86' 9 3/4"
BB1	87' 11 5/16"
CC1	88' 10"
DD1	89' 5 23/32"
EE1	89' 10 17/32"
FF1	90' 3/8"



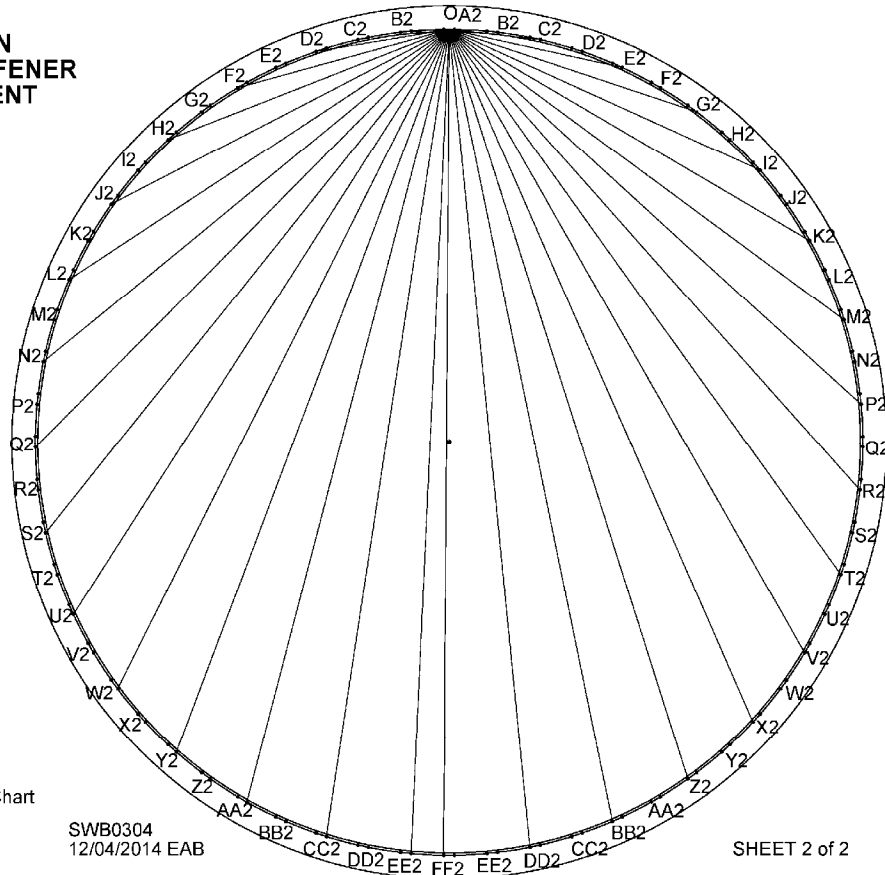
CONCRETE RADIUS: See Chart
ANCHOR RADIUS: 45' 7/32"
BIN RADIUS: 44' 9 1/8"

SWB0304
12/04/2014 EAB

SHEET 1 of 2

**90' DIAMETER
COMMERCIAL BIN
2 ANCHORS PER STIFFENER
ANCHOR PLACEMENT**

POINT	DISTANCE
A2	7"
B2	5' 3 17/32"
C2	9' 11 29/32"
D2	14' 7 15/16"
E2	19' 3 15/32"
F2	23' 10 3/8"
G2	28' 4 1/2"
H2	32' 9 23/32"
I2	37' 1 13/16"
J2	41' 4 23/32"
K2	45' 6 1/4"
L2	49' 6 9/32"
M2	53' 4 11/16"
N2	57' 1 11/32"
P2	60' 8 1/8"
Q2	64' 29/32"
R2	67' 3 9/16"
S2	70' 4 1/32"
T2	73' 2 5/32"
U2	75' 9 29/32"
V2	78' 3 1/8"
W2	80' 5 13/16"
X2	82' 5 13/16"
Y2	84' 3 1/8"
Z2	85' 9 21/32"
AA2	87' 1 3/8"
BB2	88' 2 7/32"
CC2	89' 3/16"
DD2	89' 7 3/16"
EE2	89' 11 9/32"
FF2	90' 3/8"



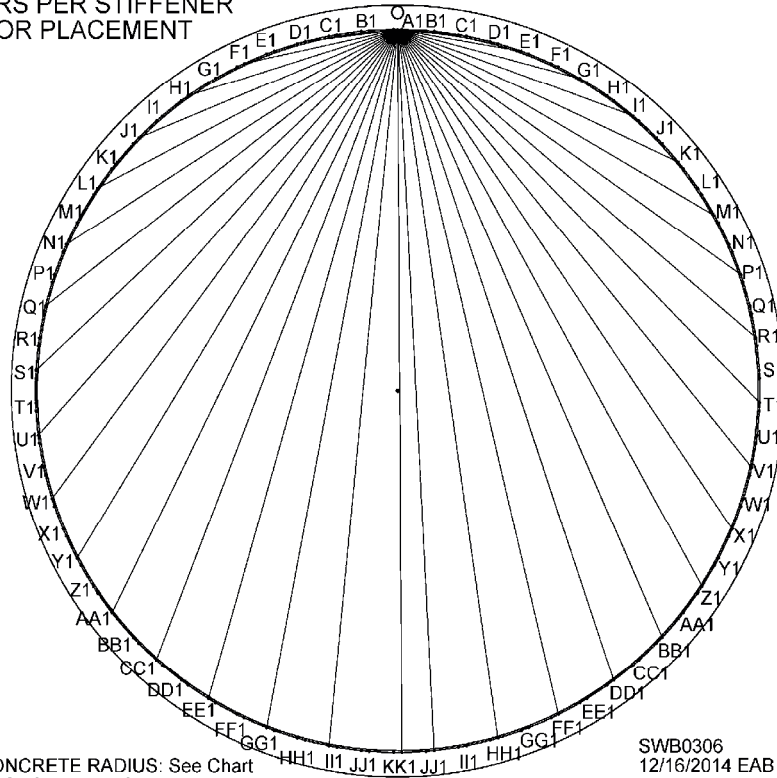
CONCRETE RADIUS: See Chart
ANCHOR RADIUS: 45' 7/32"
BIN RADIUS: 44' 9 1/8"

SWB0304
12/04/2014 EAB

SHEET 2 of 2

105' DIAMETER
COMMERCIAL BIN
2 ANCHORS PER STIFFENER
ANCHOR PLACEMENT

POINT	DISTANCE
A1	7"
B1	4' 1 1/2"
C1	8' 9 15/16"
D1	13' 6 1/8"
E1	18' 2"
F1	22' 9 7/16"
G1	27' 4 5/16"
H1	31' 10 17/32"
I1	36' 3 31/32"
J1	40' 8 9/16"
K1	45' 5/32"
L1	49' 2 21/32"
M1	53' 3 31/32"
N1	57' 3 31/32"
P1	61' 2 5/8"
Q1	64' 11 25/32"
R1	68' 7 3/8"
S1	72' 1 9/32"
T1	75' 5 15/32"
U1	78' 7 27/32"
V1	81' 8 5/16"
W1	84' 6 25/32"
X1	87' 3 1/4"
Y1	89' 9 9/16"
Z1	92' 1 3/4"
AA1	94' 3 11/16"
BB1	96' 3 11/32"
CC1	98' 11/16"
DD1	99' 7 5/8"
EE1	101' 3/16"
FF1	102' 2 5/16"
GG1	103' 1 15/16"
HH1	103' 11 3/32"
II1	104' 5 3/4"
JJ1	104' 9 7/8"
KK1	104' 11 7/16"

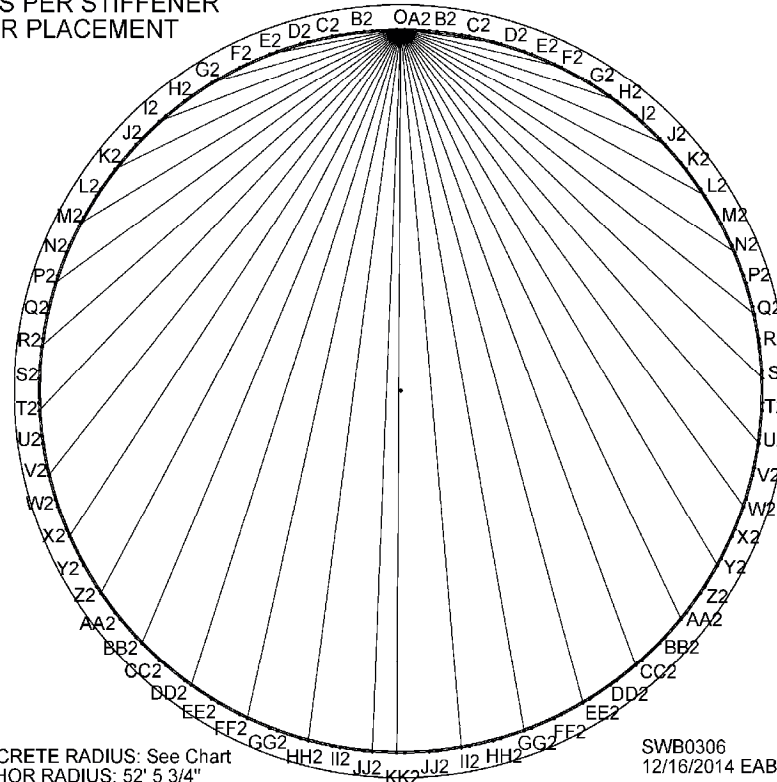


CONCRETE RADIUS: See Chart
ANCHOR RADIUS: 52' 5 3/4"
BIN RADIUS: 52' 2 11/16"

SWB0306
12/16/2014 EAB

105' DIAMETER
COMMERCIAL BIN
2 ANCHORS PER STIFFENER
ANCHOR PLACEMENT

POINT	DISTANCE
A2	7"
B2	5' 3 1/2"
C2	9' 11 7/8"
D2	14' 8"
E2	19' 3 25/32"
F2	23' 11 3/32"
G2	28' 5 13/16"
H2	32' 11 27/32"
I2	37' 5 3/32"
J2	41' 9 7/16"
K2	46' 25/32"
L2	50' 3"
M2	54' 4"
N2	58' 3 11/16"
P2	62' 1 31/32"
Q2	65' 10 3/4"
R2	69' 5 15/16"
S2	72' 11 7/16"
T2	76' 3 3/16"
U2	79' 5 3/32"
V2	82' 5 1/16"
W2	85' 3 1/16"
X2	87' 11"
Y2	90' 4 25/32"
Z2	92' 8 13/32"
AA2	94' 9 25/32"
BB2	96' 8 7/8"
CC2	98' 5 5/8"
DD2	100'
EE2	101' 3 31/32"
FF2	102' 5 15/32"
GG2	103' 4 1/2"
HH2	104' 1 1/32"
II2	104' 7 1/32"
JJ2	104' 10 17/32"
KK2	104' 11 15/32"



CONCRETE RADIUS: See Chart
ANCHOR RADIUS: 52' 5 3/4"
BIN RADIUS: 52' 2 11/16"

SWB0306
12/16/2014 EAB

Commercial Grain Bin Anchor Bolt Guidelines

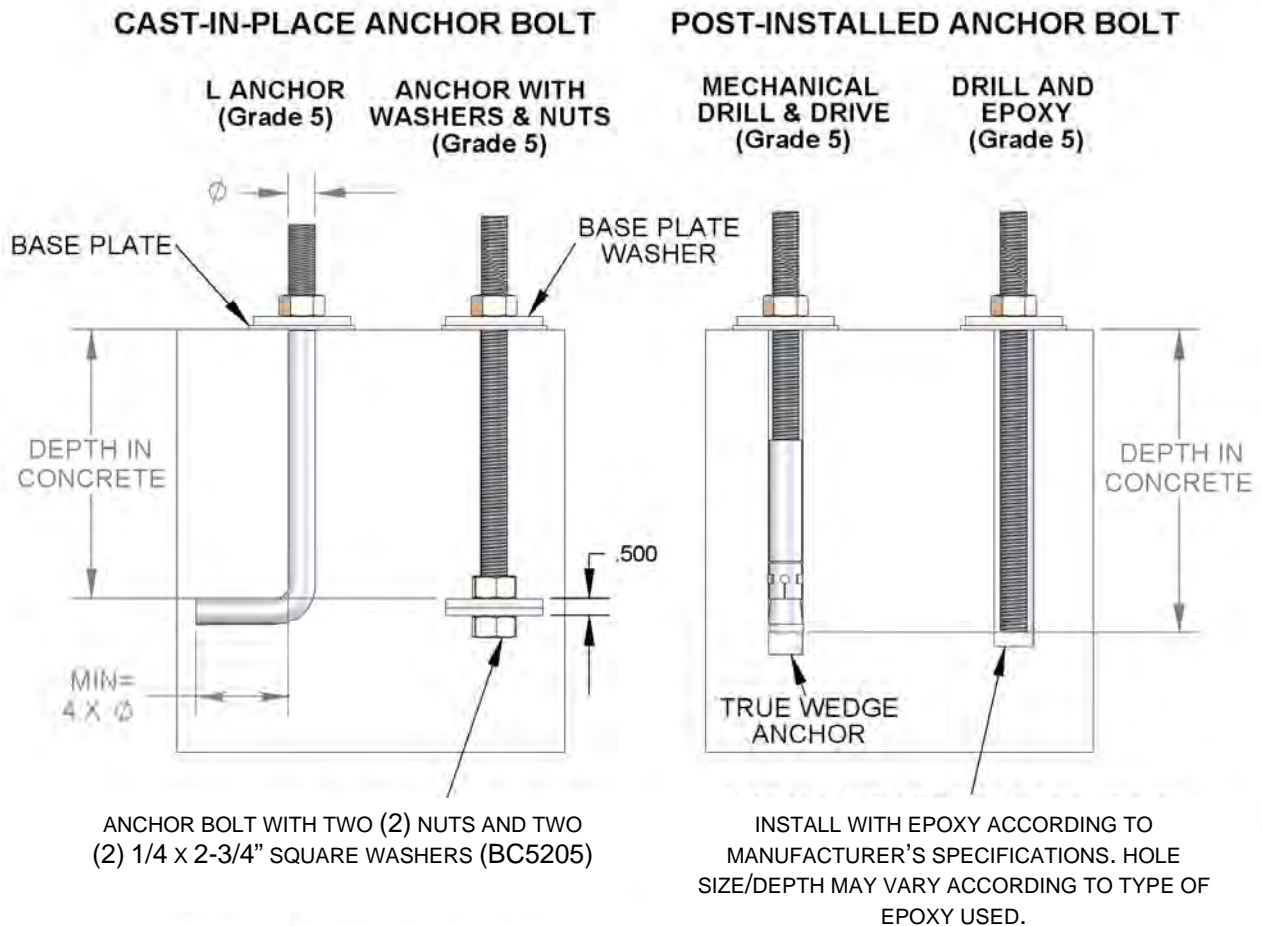
- Based on ASCE7-05 Code, 90 mph wind zone -

A qualified geotechnical engineer should review all foundation specifications, including anchor bolt layout, to ensure foundation design is compatible with maximum load-bearing capacity of soil and with any other environmental factors at bin location.

Table on next page is provided as general guidance for minimum anchor bolt requirements (diameter and depth in concrete). Pullout force depends on diameter of anchor. Mechanical drill and drive anchors require ultimate pullout strength of 7,500 lbs. for 5/8" anchor bolts and 10,000 lbs. for 3/4" anchor bolts. Be certain to follow anchor bolt manufacturer's detailed installation instructions to prevent any uplift. Also, it is important these guidelines be followed to ensure proper anchoring:

- Concrete pad must be allowed to cure for a minimum of 28 days prior to anchoring of bin.
- Holes must be cleaned by using a wire brush and air to blow out dust. Cleaning hole will minimize slippage after wedge/epoxy anchor is set.
- Nuts on anchors must be tightened to manufacturer's specifications to withstand uplift.

Drawing below shows types of anchors used. At left are two different types of cast-in-place anchor: an "L" style and a "W & N" (washer and nut) style. At right are two different post-installed anchors: a mechanical drill and drive style and a drill and epoxy style.

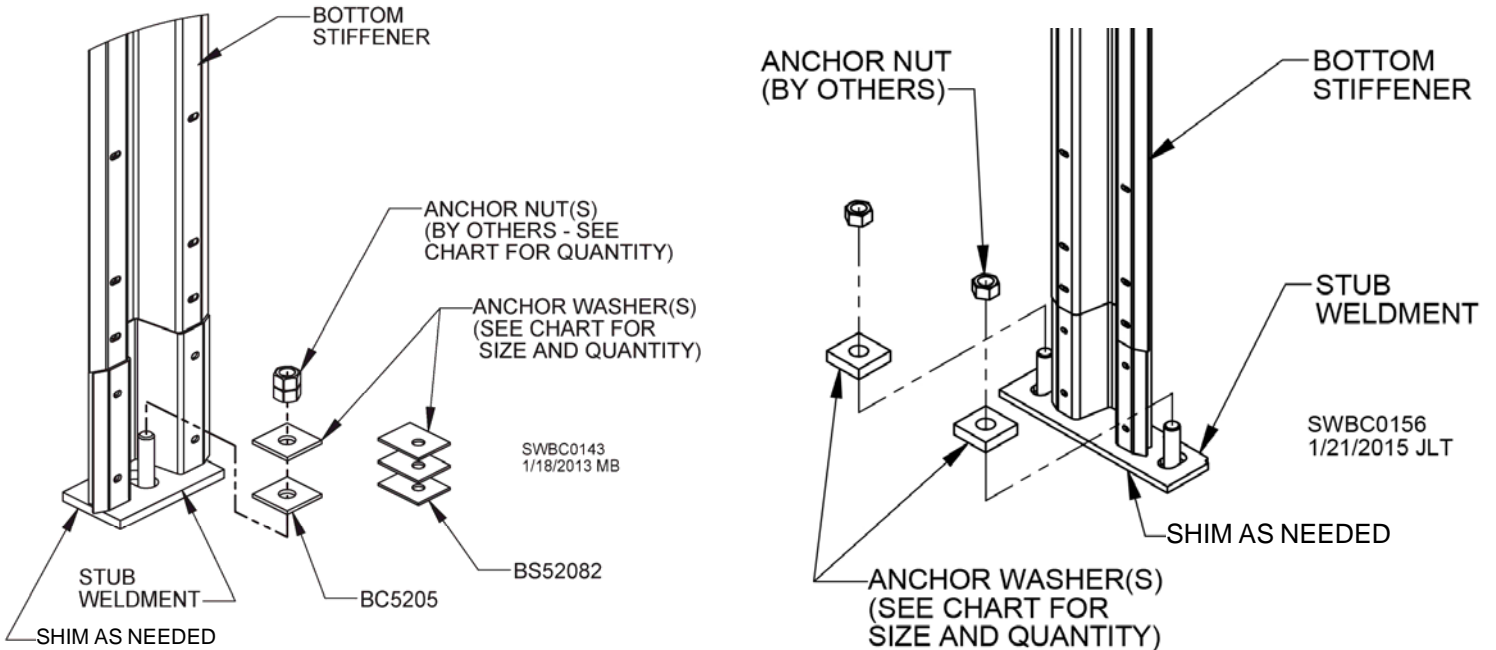


Commercial Bin Anchors

Bin DIA.	Ring Height	Types of Anchors (in DIA)*		Depth In Concrete	Washer Qty. Per Anchor (in bin box)				Nut Qty.
		Cast In Place	Drill & Epoxy		2-3/4" x 3-1/2" BS52082	2-3/4" Sq. BC5206	3" Sq. BC5205	3-1/2" Sq. BC5209	
36'	3-10	3/4" L	3/4"	8"	2	-	-	-	1
	11-12	3/4" L	3/4"	8"	2	-	-	-	1
	13-24	3/4" W & N	3/4"	13"	3	-	-	-	2
42'	3-13	3/4" L	3/4"	8"	2	-	-	-	1
	14-24	3/4" W & N	3/4"	13"	3	-	-	-	2
48'	3-14	3/4" L	3/4"	8"	2	-	-	-	1
	15-24	3/4" W & N	3/4"	13"	3	-	-	-	2
54'	3-18	1" W & N	1"	17"	-	2	-	-	1
	19-24	1" W & N	1"	17"	-	2	-	-	2
60'	3-18	1" W & N	1"	17"	-	1	-	-	1
	19-24	1" W & N	1"	17"	-	2	-	-	2
66'	3-18	1" W & N	1"	17"	-	2	-	-	2
	19-24	1" W & N	1"	17"	-	2	-	-	2
69'	3-18	1" W & N	1"	17"	-	3	-	-	2
	19-24	1" W & N	1"	17"	-	4	-	-	2
72'	10-24	1" W & N	1"	17"	-	1	-	-	1
75'	10-24	1" W & N	1"	17"	-	1	-	-	1
78'	10-24	1" W & N	1"	17"	-	1	-	-	1
90'	10-24	1" W & N	1"	17"	-	1	-	-	1
105'	10-24	1" W & N	1"	17"	-	1	-	-	1
135'	10-24	1-1/4" W & N	1-1/4"	24"	-	-	1	-	1
156'	10-24	1-1/2" W & N	1-1/2"	36"	-	-	-	1	1

* Refer to previous page for anchor types ("L" refers to shape of anchor, "W & N" refers to washer and nut).
Mechanical drill & drive anchors **NOT RECOMMENDED** by Sukup Manufacturing Co.

Commercial Anchor Boots



Single-Anchor Boot
69' Dia. and smaller (2 Stiffeners/Sidewall Sheet)
72' Dia. and larger (3 Stiffeners/Sidewall Sheet)

Double-Anchor Boot
72' Dia. and larger (2 Stiffeners/Sidewall Sheet)

42' - 60' Dia. 15K & 30K Roof Assembly

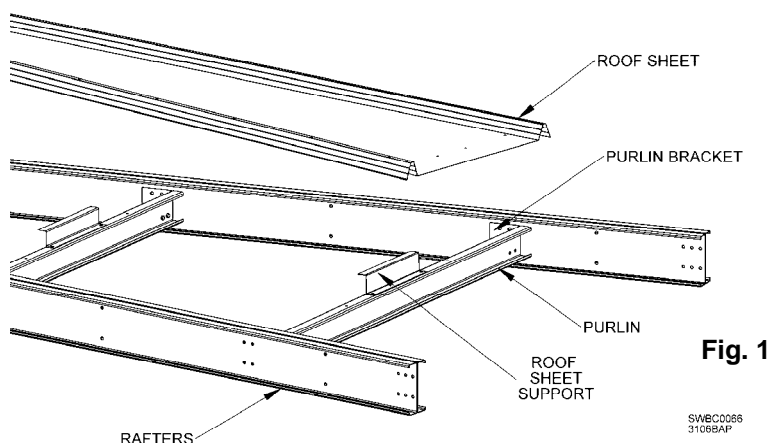


Table 1

Bin Diameter	Main Components					
	Number of Structural Components					
	Rafters	Purlin Rings	Purlins at Each Ring	Roof Sheets	Roof Sheet Supports	External Roof Rings
42'	14	2	14	42	28	2
48'	16	2	16	48	32	2
54'	18	3	18	54	54	1
60'	20	3	20	60	60	2

Fig. 1 and Table 1 identify components used in construction of roof. Roofs designed to support 15,000 lbs. use only one C-shaped rafter, while those for 30,000 lbs. use back-to-back C-shaped rafters. Both types use A-frame construction as shown in Fig. 1. Review notes below before beginning bin erection.

NOTE: Leave all bolts loose to finger-tight unless otherwise specified. When tightening, follow torque guidelines in Table 2.

Table 2

BOLT	GRADE	FT-LBS
5/16	8.2	15-20
3/8	8.2	25-35
7/16	8.2	45-55
1/2	8.2	65-80

IMPORTANT: At no time should any bolts be substituted for those supplied by Sukup Manufacturing Co.

NOTES: Center support jack must be capable of supporting a 12,000 lb. dead load and be adjustable + or - 12".

Careful planning before starting first ring will simplify erection of bin. If design specifies a flush-floor aeration system, install flush-floor planking and supports prior to beginning erection of bin. This will provide a safer work environment and prevent parts from falling into tunnels. If heavy equipment such as center-pivot staircase or forklifts will be rolled or driven over flush-floor system, cover it with plywood or steel to prevent damage to planks.

Place sidewall sheet bundles, appropriate components and hardware on foundation where they will not interfere with assembly work. If rolling center-pivot staircase is used, be certain sidewall sheet bundles do not interfere with staircase travel.

Assemble starter (first) ring of bin sidewall on concrete foundation; leave loose. Consult sidewall assembly section of this manual. **NOTE:** For ease of anchoring bin to foundation, sidewall sheets must be placed so stiffener bolt holes are aligned with anchor bolts. Also, distance from sidewall ring to anchor bolt should be equal around entire circumference of bin. Establishing uniform distance will simplify setting and anchoring of bin. Due to size and weight of bin, adjustments later will likely be more difficult.

Stiffener Attaching Brackets

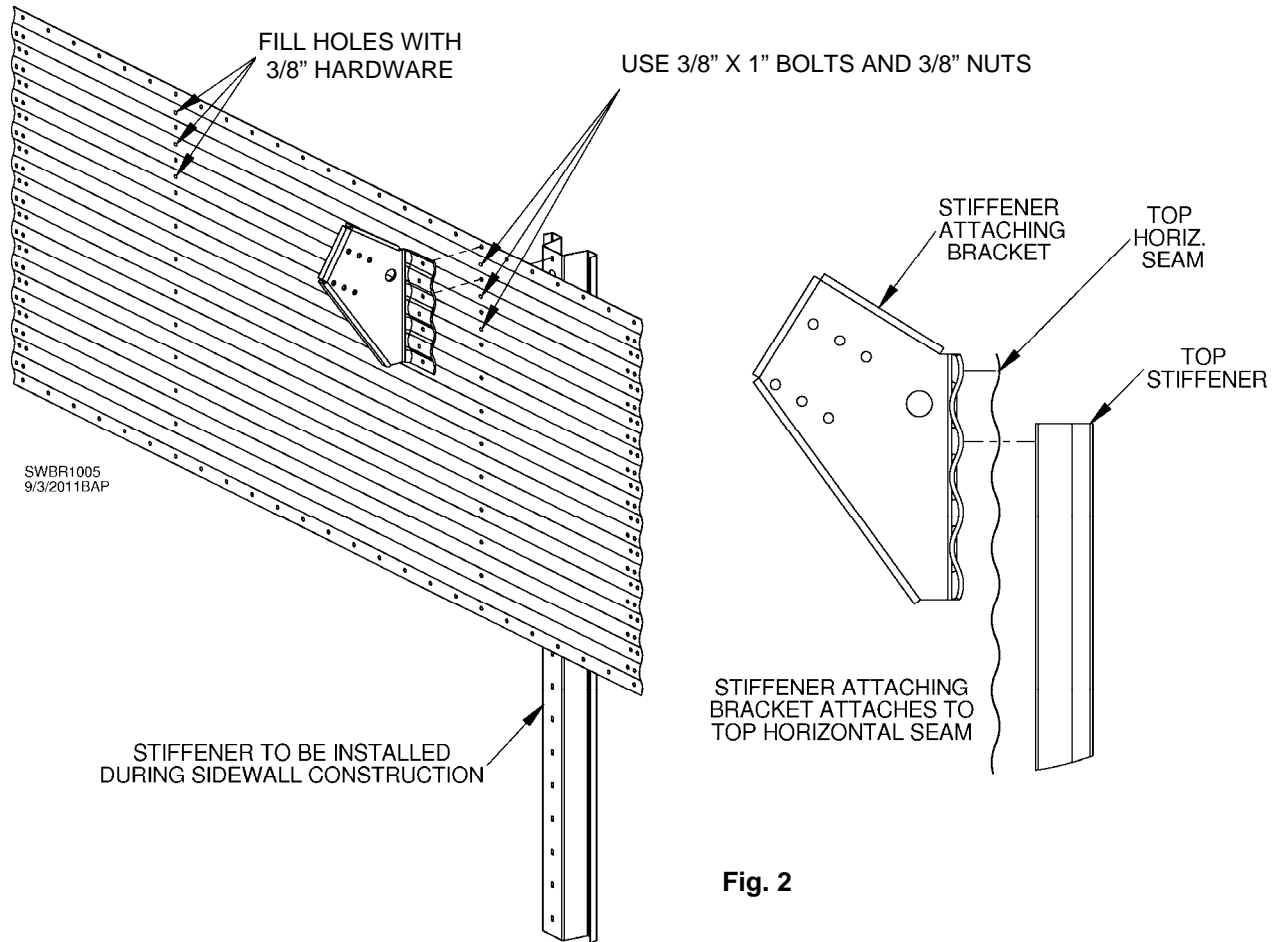


Fig. 2

Rafters will attach to every other stiffener using a stiffener attaching bracket. Top of stiffener attaching bracket attaches to top of sidewall sheet as shown in Fig. 2. **NOTE:** Stiffener attaching brackets should not be bolted to sidewall at this time.

Stiffeners will not be attached to bin sidewall until sidewall construction begins. However, 39" top ring stiffeners used on bins with odd number of rings can be attached at this time. Refer to sidewall assembly section of this manual for proper location of stiffener. It is critical that these stiffeners be positioned correctly. Failure to do so will result in difficulty installing remaining sidewall stiffeners and splices.

Continuous Eave Clip

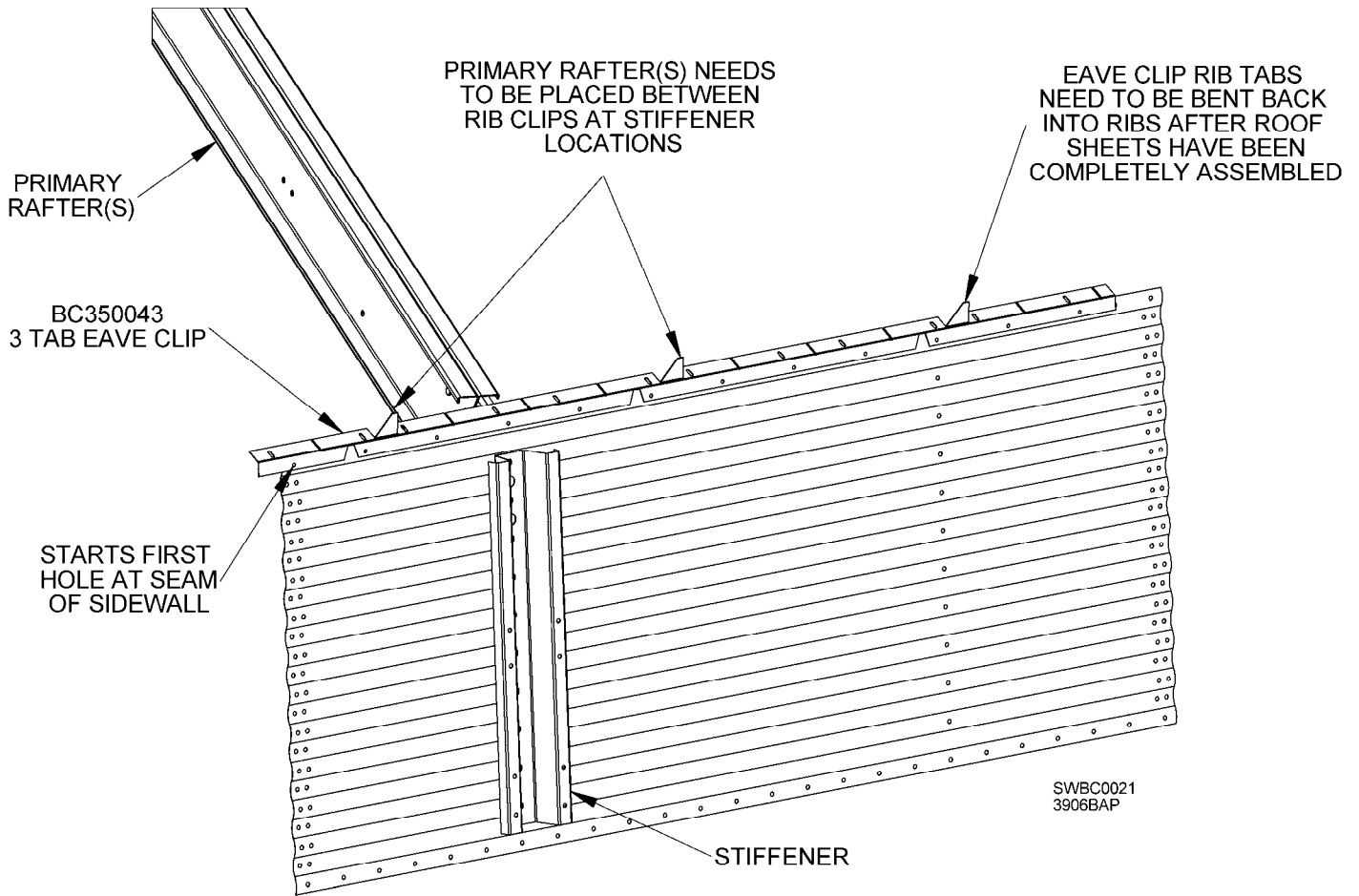


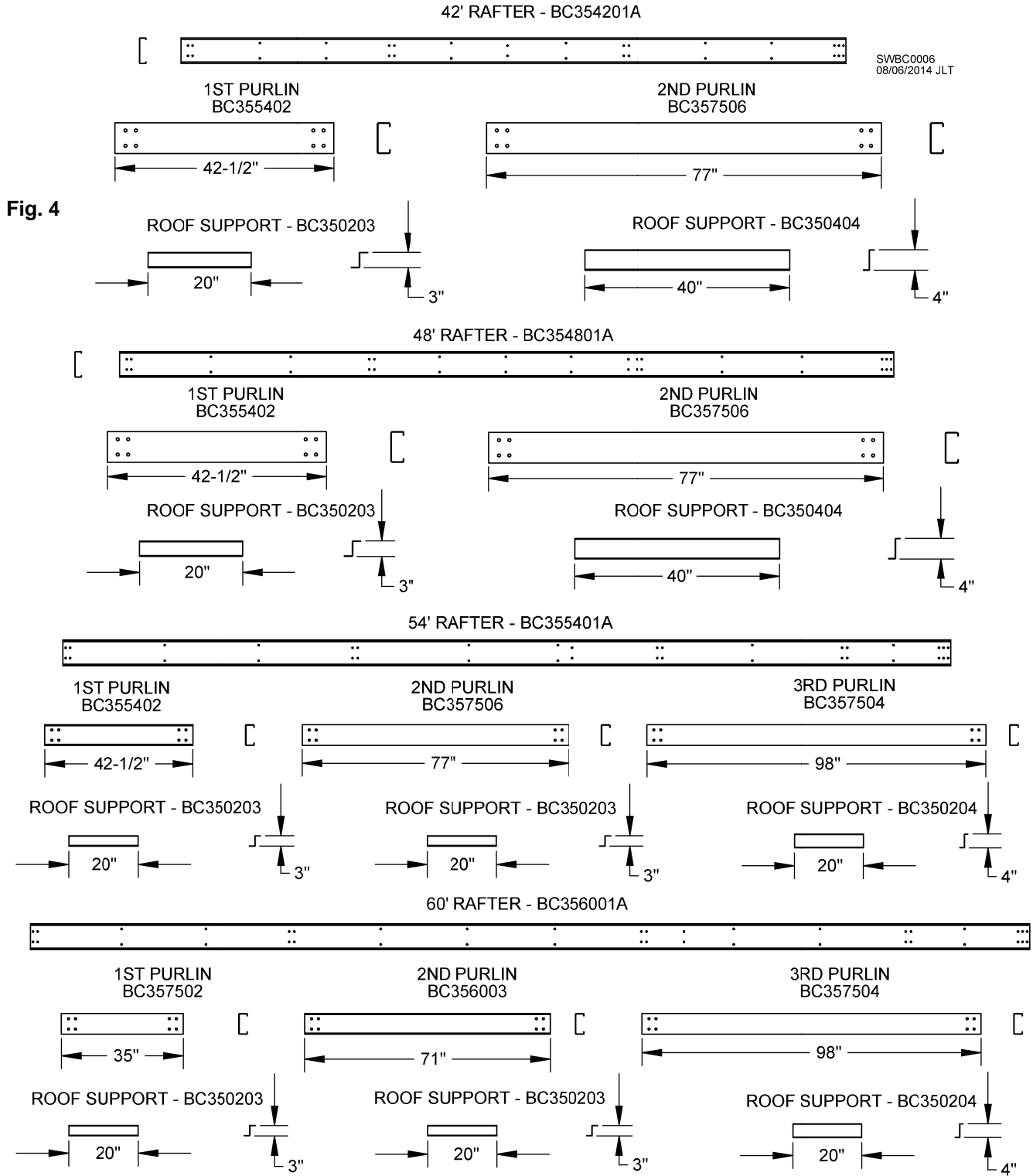
Fig. 3

Attach continuous eave clip to top of assembled starter ring using hardware specified on color chart. See Fig. 3. End of eave clip hangs over sidewall sheet. First hole of eave clip will align in vertical seam. After roof has been completely assembled, rib clip tabs need to be bent back in to roof sheet ribs.

NOTE: Notches on bottom side of continuous eave clip are for production purposes only. They do not affect structural integrity or function of clip.

Rafter Subassembly

Purlin bracket locations are indicated by groups of bolt holes along rafter. Each group consists of four (4) 9/16" bolt holes. See Fig. 4. The 9/16" holes at ends of rafters are for peak ring and sidewall/stiffener attaching brackets. Remaining double pairs of holes along rafter are for 30,000 lb. roof. When assembling a 30,000 lb. roof, bolt rafter sections back-to-back using 1/2 x 1-1/4" bolts and 1/2" flange nuts at double-hole locations. Leave all other holes empty unless otherwise specified.



NOTE: If using temperature cables, consider placement of cable brackets. Refer to instructions near end of this section for proper installation. Refer to temperature cable manufacturer's instructions for proper placement.

15,000 lb. Roof Rafter Attachments

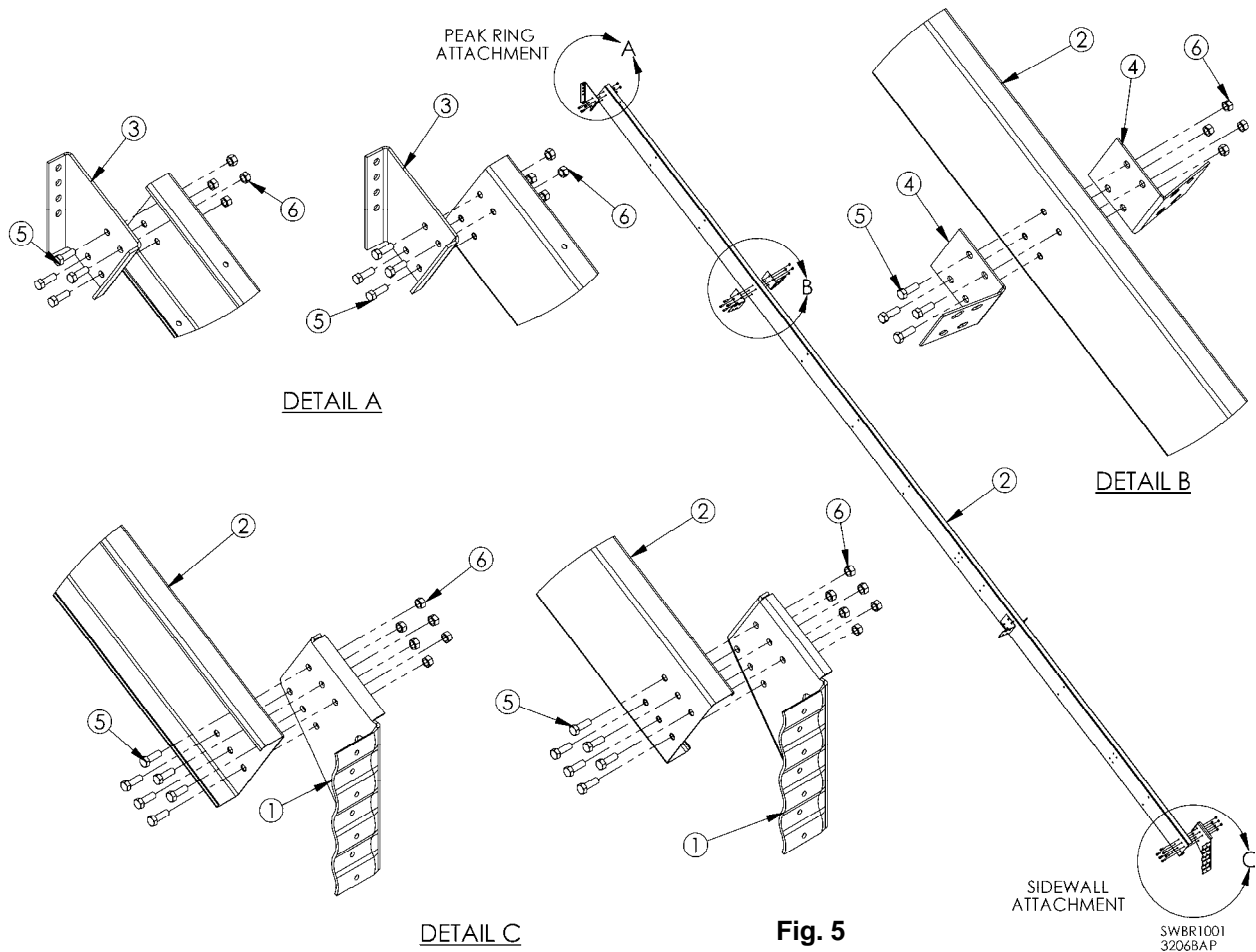


Fig. 5

15,000 lb. roof rafters consist of one (1) C-shaped channel. See Fig 5. Item descriptions and part numbers are identical to those of 30,000 lb. roof rafter attachments shown on next page. Attach peak ring rafter brackets and sidewall rafter attachment brackets to rafter using 1/2 x 1-1/4" bolts and 1/2" flange nuts as shown in Details A and C of Fig. 5. Details A and C each show two orientations of C-shaped rafter. Assemble an equal number of rafters each way. This is done so that during pre-assembly of rafters, C channels will align back-to-back from each other to strengthen rafter substructure. See Fig. 6 to help understand assembly shown in Details A and C of Fig. 5.

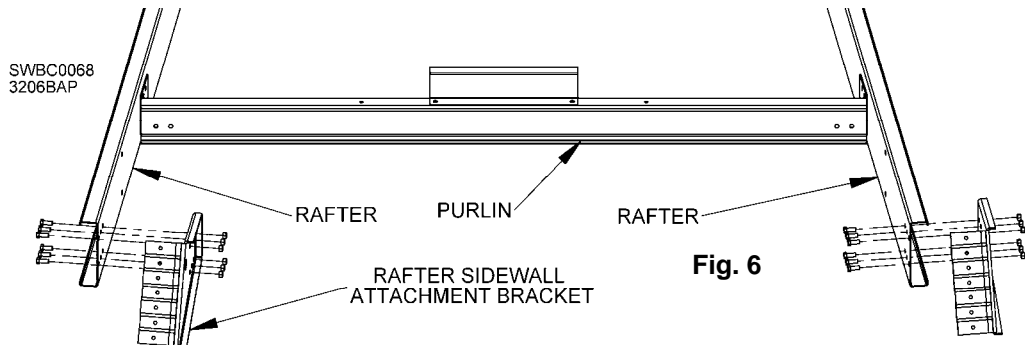


Fig. 6

Bolt purlin brackets to each side of rafter at specified locations using 1/2 x 1-1/4" bolts and 1/2" flange nuts as shown in Detail B of Fig. 5. Tighten all purlin brackets. Do not tighten peak ring or sidewall attachment brackets.

30,000 lb. Roof Rafter Attachments

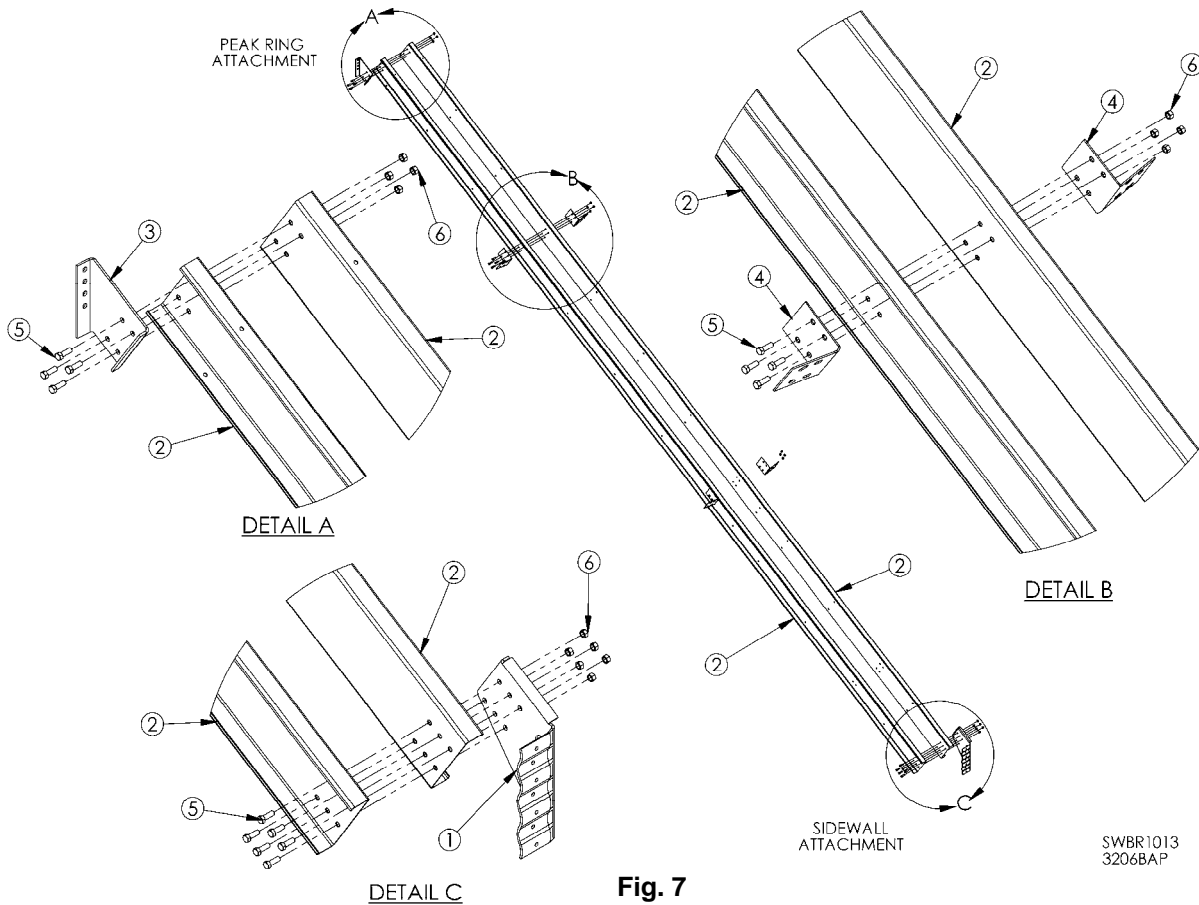


Fig. 7

ITEM #	DESCRIPTION	COMP. #
1	Sidewall rafter attachment bracket	BC350001
2	Rafter, C 10 x 2-1/2 x 12 ga, 42' Dia.	BC354201A
2	Rafter, C 10 x 2-1/2 x 12 ga, 48' Dia.	BC354801A
2	Rafter, C 10 x 2-1/2 x 12 ga, 54' Dia.	BC355401A
2	Rafter, C 10 x 2-1/2 x 12 ga, 60' Dia.	BC356001A
3	Peak ring rafter attachment bracket	BC350008
4	Commercial purlin bracket	BC356005
5	Bolt, 1/2 x 1-1/4"	J0728
6	Flange nut, 1/2"	BCL5952

Table 3

30,000 lb. roof rafters consist of two (2) C-shaped channels. See Fig 7. Channels have bolt hole patterns allowing them to be joined back-to-back. Bolt purlin brackets to each side of rafter at specified locations using 1/2 x 1-1/4" bolts and 1/2" flange nuts as shown in Detail B of Fig. 7. When attaching brackets to rafters, bolts must pass through both rafter sections. **NOTE:** If temperature cable brackets are used, they must be attached at this time. Refer to temperature cable bracket assembly instructions near end of this section.

Attach peak ring rafter attachment brackets and sidewall rafter attachment brackets to rafter using 1/2 x 1-1/4" bolts and 1/2" flange nuts as shown in Details A and C of Fig. 7.

Tighten all purlin brackets and fasteners connecting two (2) C channels together. Do not tighten peak ring or sidewall attachment brackets.

Purlin & Roof Sheet Support Bracket Attachment

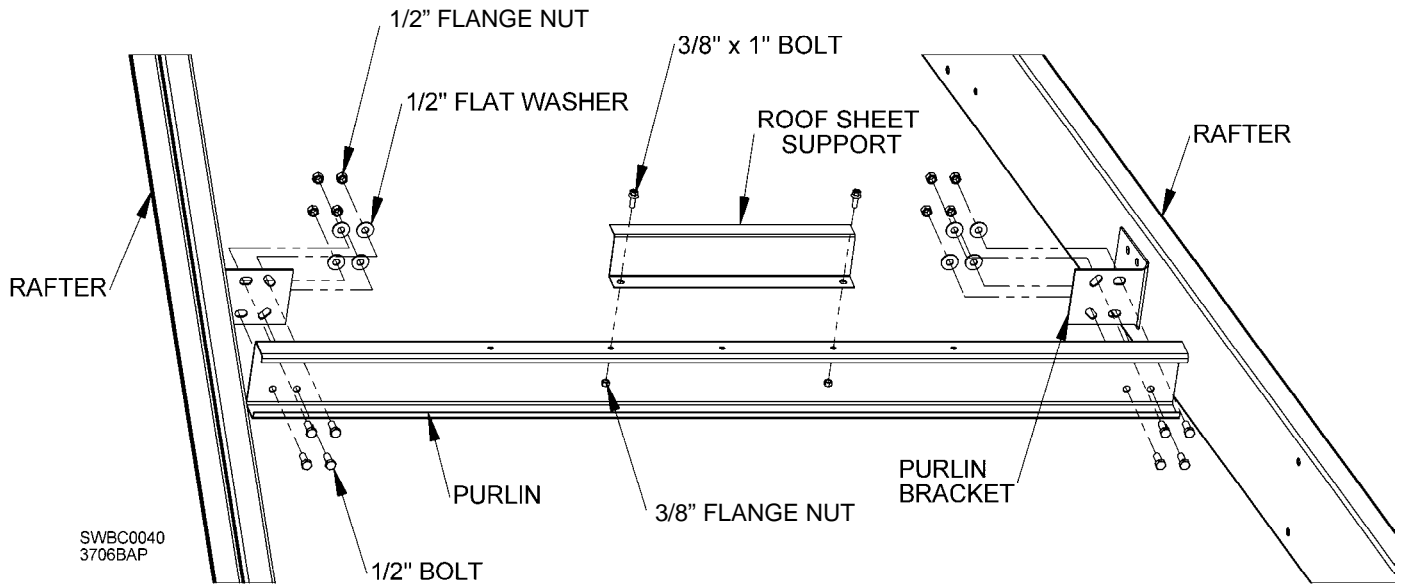


Fig. 8

Bolt purlins to purlin brackets using 1/2 x 1-1/4" bolts, 1/2" flat washers and 1/2" flange nuts as shown in Fig. 8 and Image 1. Purlins are attached to eave side of purlin brackets. Leave bolts connecting purlins loose. Attach roof sheet support bracket to purlin using 3/8 x 1" bolts and 3/8" flange nuts as shown in Fig. 8. For stacking pre-assembled sets of rafters, it is recommended that roof sheet support brackets be assembled during rafter substructure assembly.



Image 1

Rafter Substructure Assembly



Image 2

Set peak ring weldment on center support jack. Center support jack must be capable of supporting a 12,000 lb. dead load and be adjustable + or - 12". Jack should be set at a beginning height as stated below. This height should be at mid-stroke of jack, allowing for adjustment of peak ring height.

The following dimensions are only starting points for building roof on one or two sidewall rings. Depending on type of bin jack used, adjustments up or down may be required. **HINT:** To ease assembly, add 1" to dimensions below. It is easier to take pressure off of center jack than to lift a raftered substructure.

NOTE: All dimensions are from bottom of peak ring.

42'	One Ring	178" (14' 10")
42'	Two Rings	222" (18' 6")
48'	One Ring	202" (16' 10")
48'	Two Rings	246" (20' 6")
54'	One Ring	225" (18' 9")
54'	Two Rings	269" (22' 5")
60'	One Ring	247" (20' 7")
60'	Two Rings	291" (24' 3")

Section roof substructure into quarters and install remaining rafter subassemblies in an alternating sequence to balance load. Once quartered, substructure will become somewhat self-supporting.



WARNING: Always wear personal protective equipment including a hard hat and always use proper lifting equipment and methods when lifting any structural element of a bin. Failure to follow these precautions may result in death or serious injury.

Attaching Rafters to Peak Ring & Sidewalls of 15,000 lb. Roof

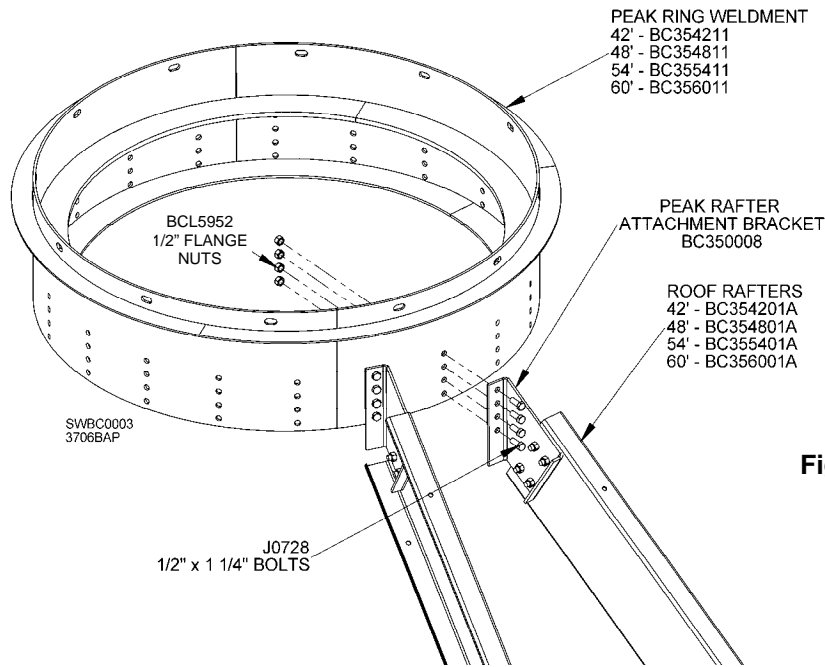


Fig. 9

Position first rafter subassembly inside starter sidewall ring so sidewall attachment brackets are slightly below attachment locations. Attach peak rafter attachment brackets to peak ring weldment with 1/2" x 1-1/4" bolts and 1/2" flange nuts as shown in Fig. 9. Tighten all 1/2" bolts connecting to peak ring.

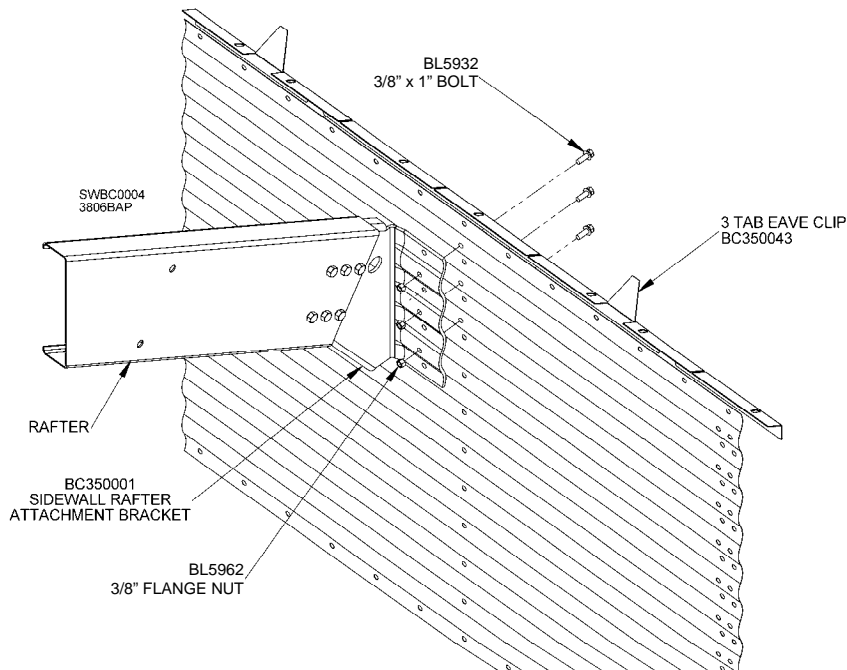


Fig. 10

Lift sidewall rafter attachment brackets to attachment locations (top of brackets flush with sidewall sheet) and secure each bracket with three (3) 3/8" x 1" bolts and 3/8" flange nuts. Insert bolts from outside of bin sheet. See Fig. 10. Tighten these bolts at each location.

Repeat processes above until all rafter subassemblies are attached to peak ring and sidewalls.

Attach remaining purlins and roof sheet supports between rafter subassemblies. See Fig. 8. All 1/2" bolts used to assemble rafters should be tightened after rafters are completely assembled.

Attaching Rafters to Peak Ring & Sidewalls of 30,000 lb. Roof

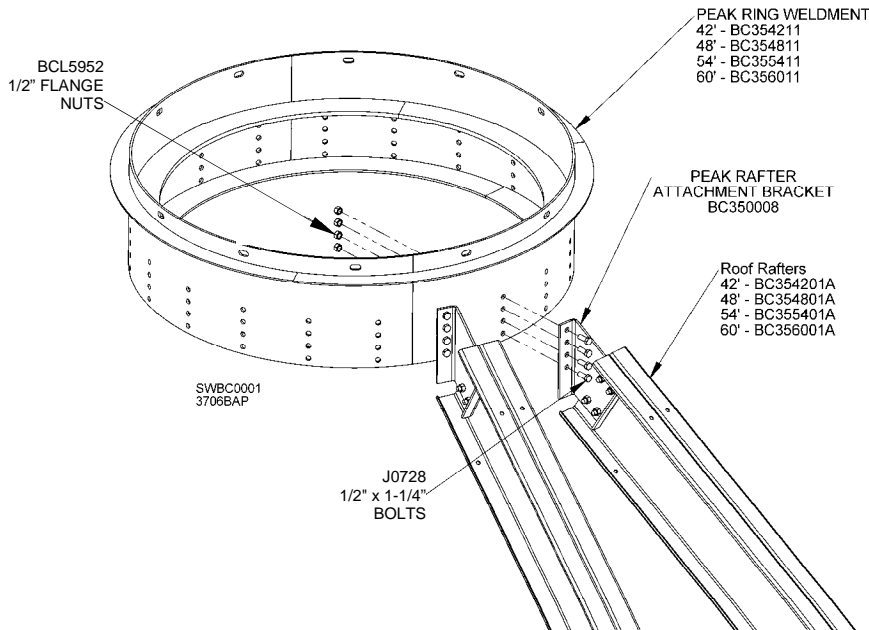


Fig. 11

Position first rafter subassembly inside starter sidewall ring so sidewall attachment brackets are slightly below attachment locations. Attach peak ring rafter attachment brackets to peak ring weldment with 1/2 x 1-1/4" bolts and 1/2" flange nuts as shown in Fig. 11. Tighten all 1/2" bolts connecting to peak ring.

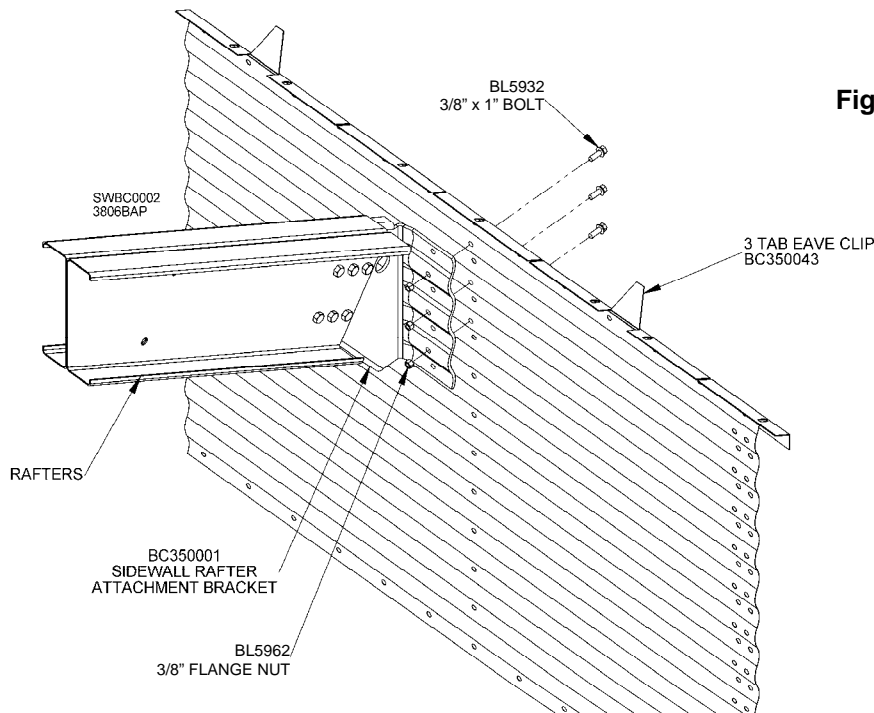


Fig. 12

Lift sidewall rafter attachment brackets to attachment locations (top of brackets flush with sidewall sheet) and secure each bracket with three (3) 3/8 x 1" bolts and 3/8" flange nuts. Insert bolts from outside of bin sheet. See Fig. 12. Tighten these bolts at each location.

Repeat processes above until all rafter subassemblies are attached to peak ring and sidewalls.

Attach remaining purlins and roof sheet supports between rafter subassemblies. See Fig. 8. All 1/2" bolts used to assemble rafters should be tightened after rafters are completely assembled.

Eave Tension Ring Assembly

Eave Tension Ring Components			
Bin Dia.	Turnbuckles	Splices	Tension Rings*
42'	3	3	6
48'	3	4	7
54'	3	5	8
60'	3	6	9

All tension ring lengths are 252" (21')

Table 4

Table 4 shows main components used in eave tension ring assembly. Before assembly, loosen turnbuckles (threaded connectors away from center). They will be tightened inward later.

- Insert eave tension ring sections through sidewall rafter attachment brackets. Install splices and turnbuckles using 3/8 x 2-1/2" bolts and 3/8" flange nuts. See Fig. 13 Details A and B.
- Turnbuckles should be spaced evenly around bin.
- Final section of tension ring will have to be cut to proper length and drilled with a 7/16" drill bit to attach properly. Drill holes to match with connecting turnbuckle or splice. Attach final section with 3/8 x 2-1/2" bolts and 3/8" nuts. Tighten all 3/8" hardware.
- To ensure starter ring roundness, tighten turnbuckles inward with punch or pipe wrench until snug.

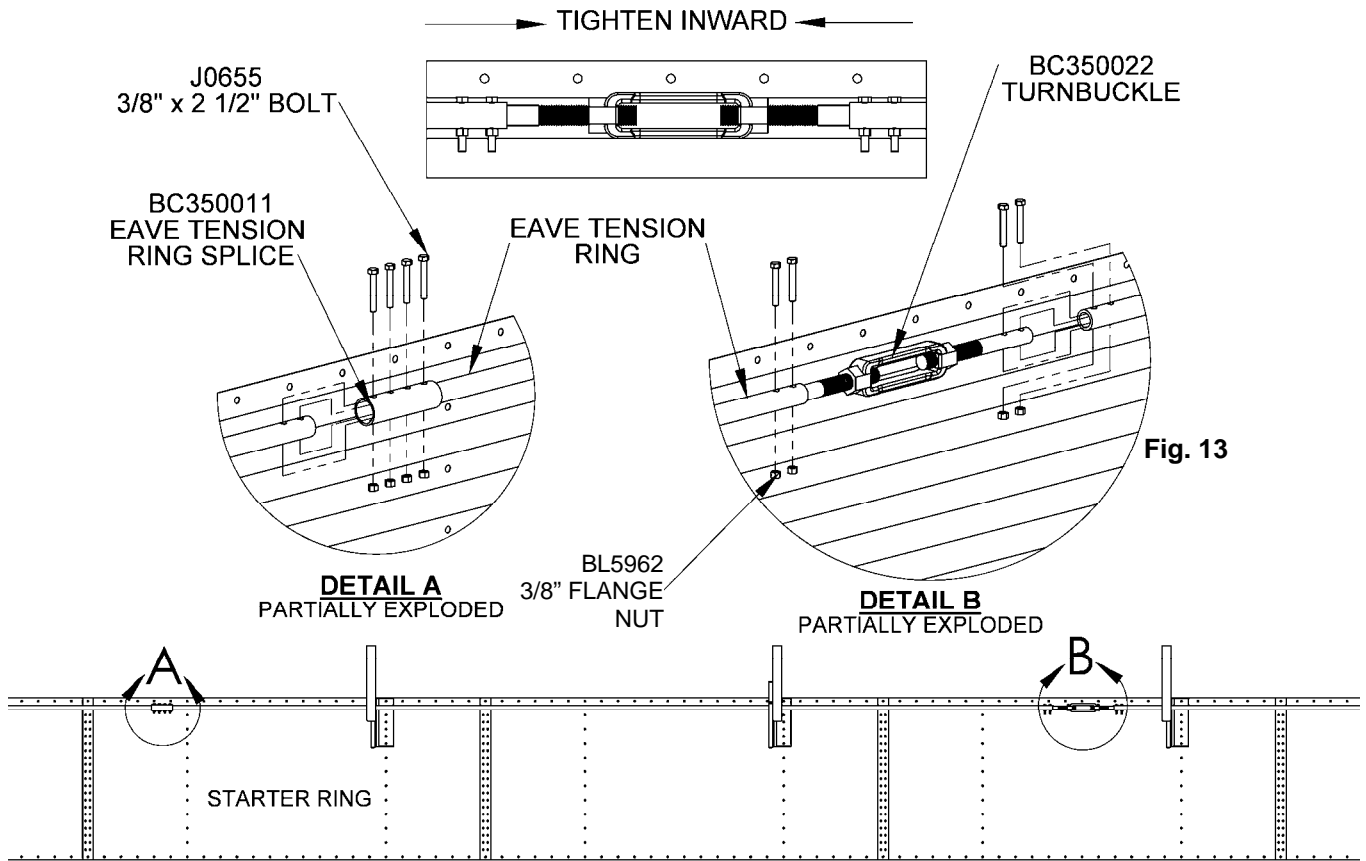


Fig. 13

SWBC0069
4/7/2010BAP

Peak Z-Ring Assemblies

Pre-assemble peak Z-ring using 3/8" x 1" carriage bolts and 3/8" flange nuts. **NOTE:** Peak Z-ring sections must butt tightly together. See Fig. 14A, 14B, 14C or 14D, as applicable. Tighten all bolts. Attach peak Z-ring to top of rafters. Align one top Z-ring bracket (BC350004) at a splice with primary rafter.

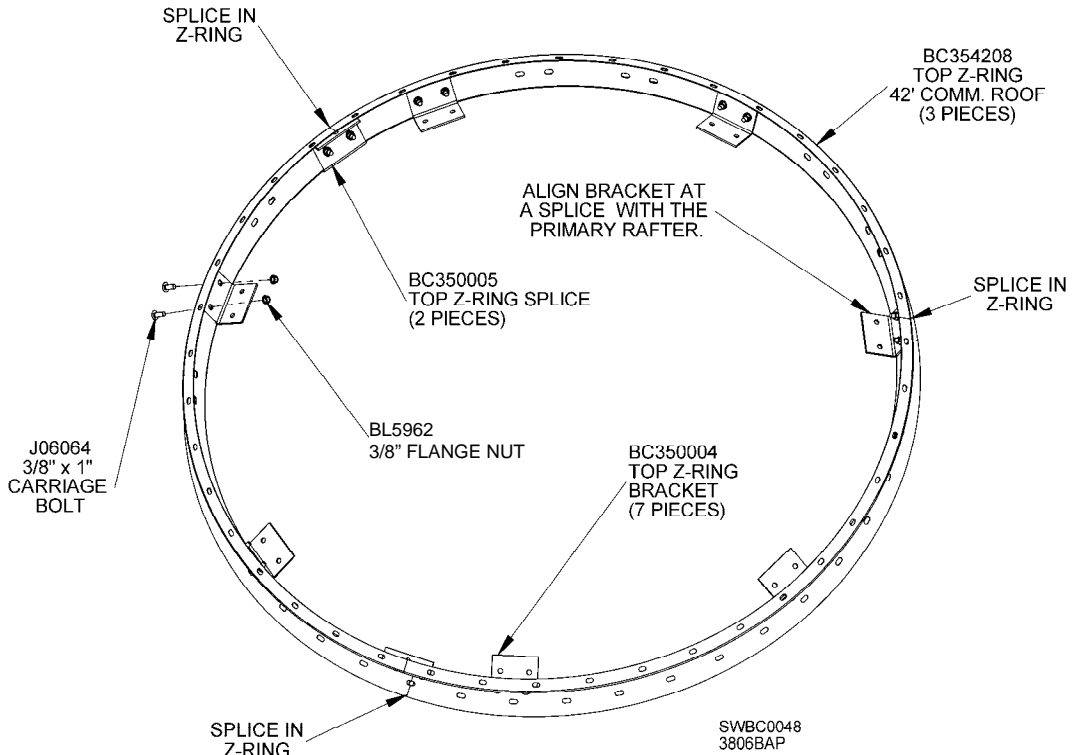


Fig. 14A – 42' Dia.

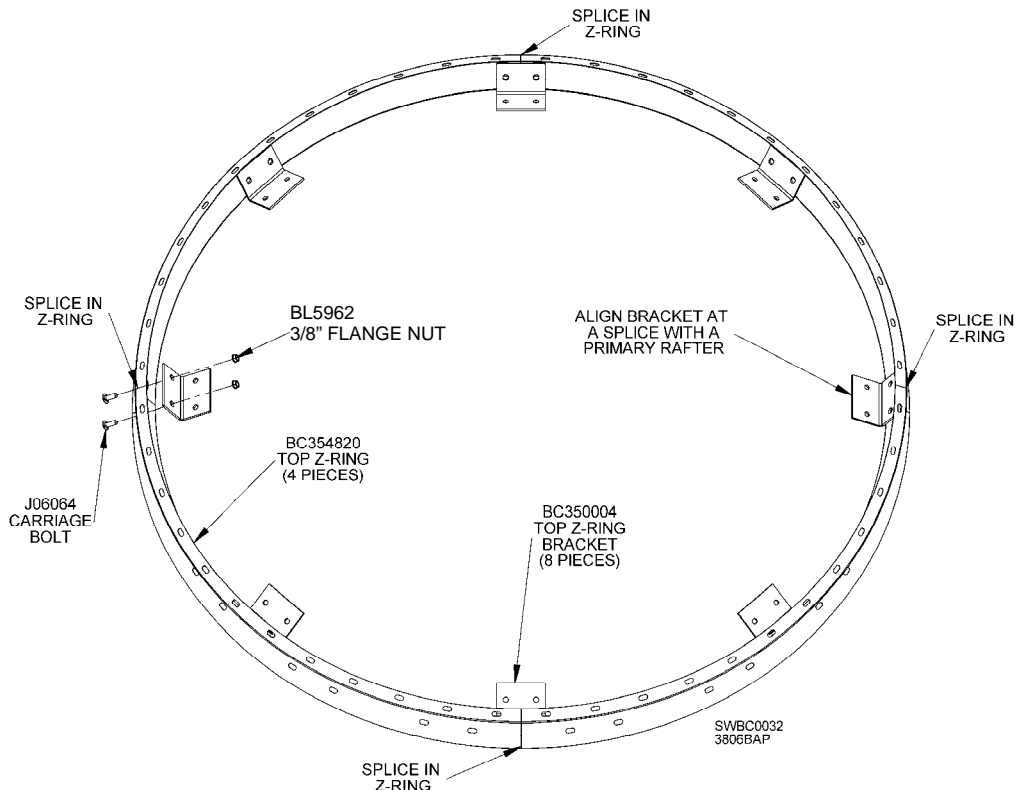


Fig. 14B – 48' Dia.

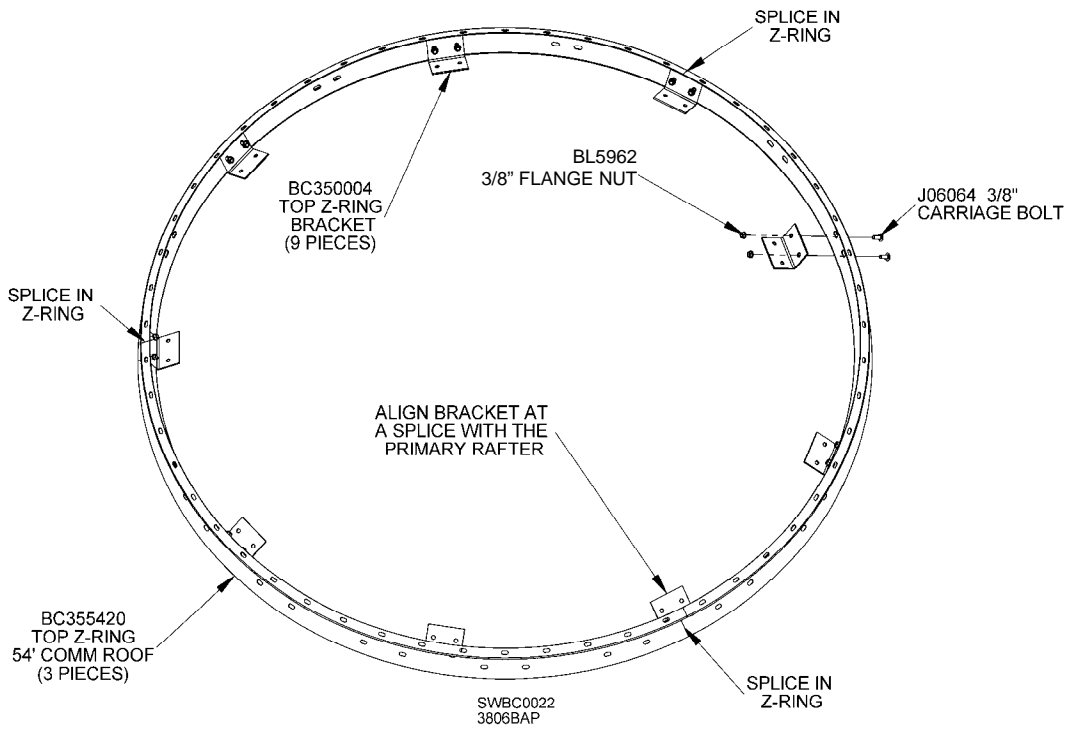


Fig. 14C – 54' Dia.

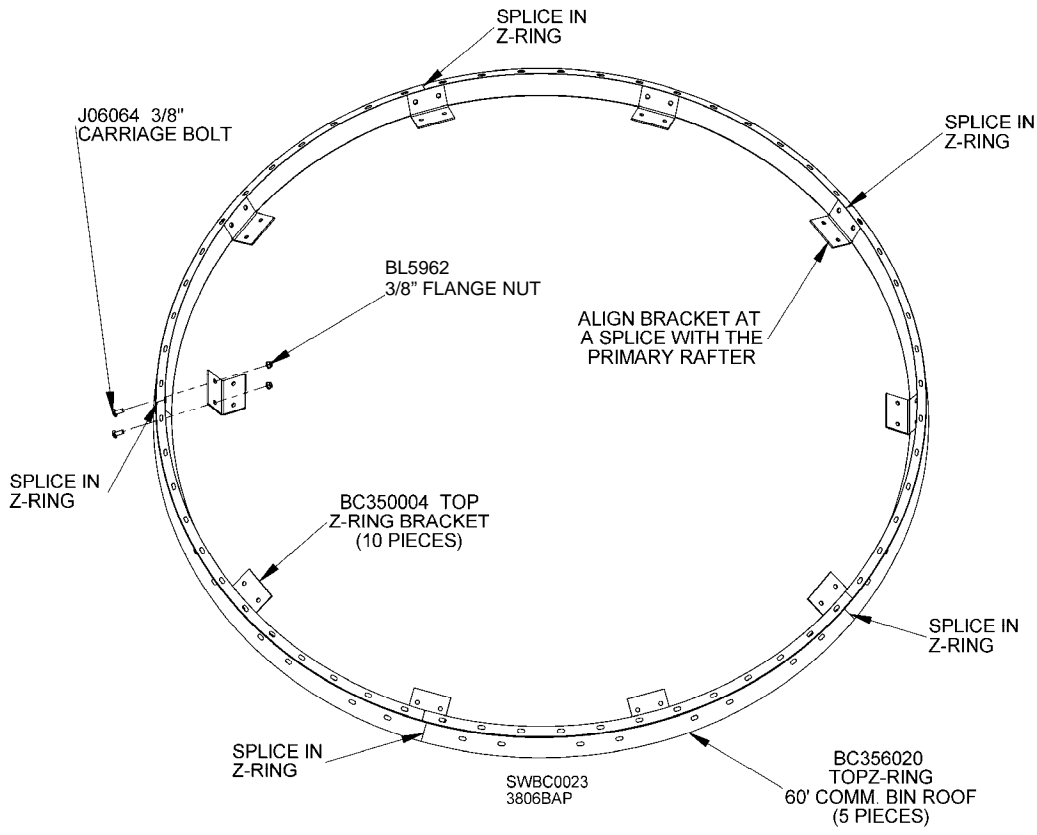
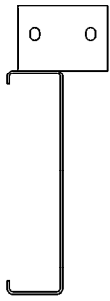
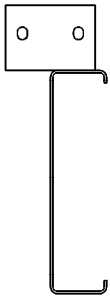
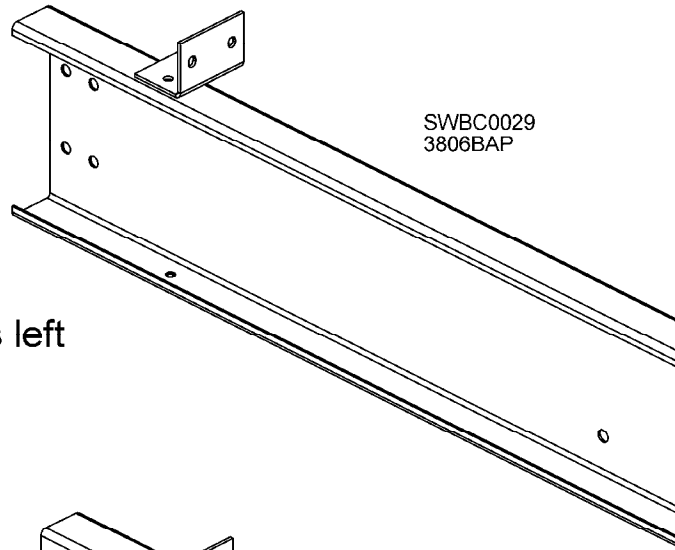


Fig. 14D – 60' Dia.

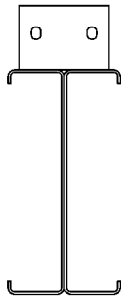
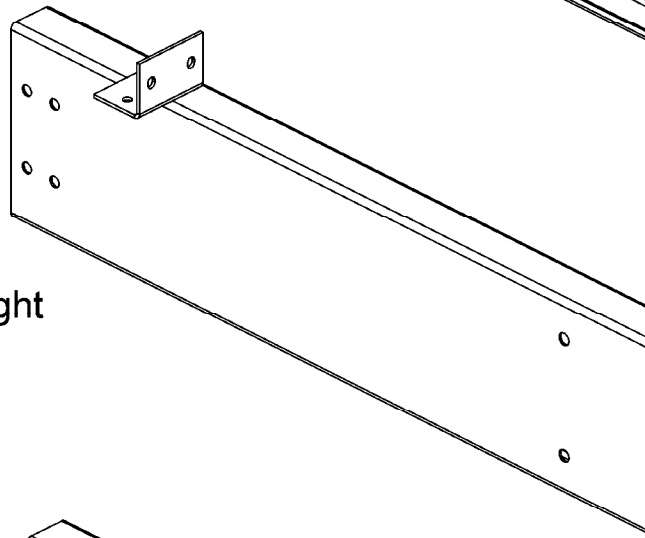
Z-Ring Attachments



15,000 lb. Roof, "C" opens left
viewed from outside of bin



15,000 lb. Roof, "C" opens right
viewed from outside of bin



30,000 lb. Roof, Double Rafter

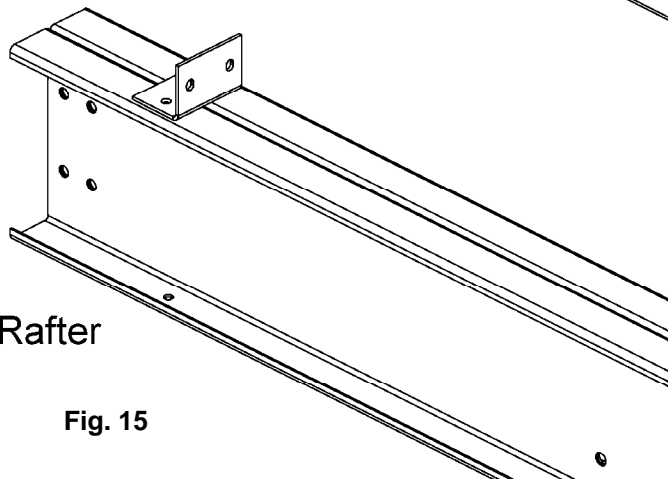


Fig. 15

Peak Z-ring brackets attach to end of rafter using 3/8 x 1" bolt(s) and 3/8" flange nut(s). When assembling 15,000 lb. roofs, brackets attach to only one (1) rafter as opposed to two (2) on a 30,000 lb. roof. For 15,000 lb. roof, if C-shaped rafter opens to left, then left hole in Z-ring bracket is used. If C opens to right, then right hole in Z-ring bracket is used. **IMPORTANT:** For proper roof sheet alignment, attach Z-ring brackets as shown in Fig. 15.

Installation of Roof Sheets

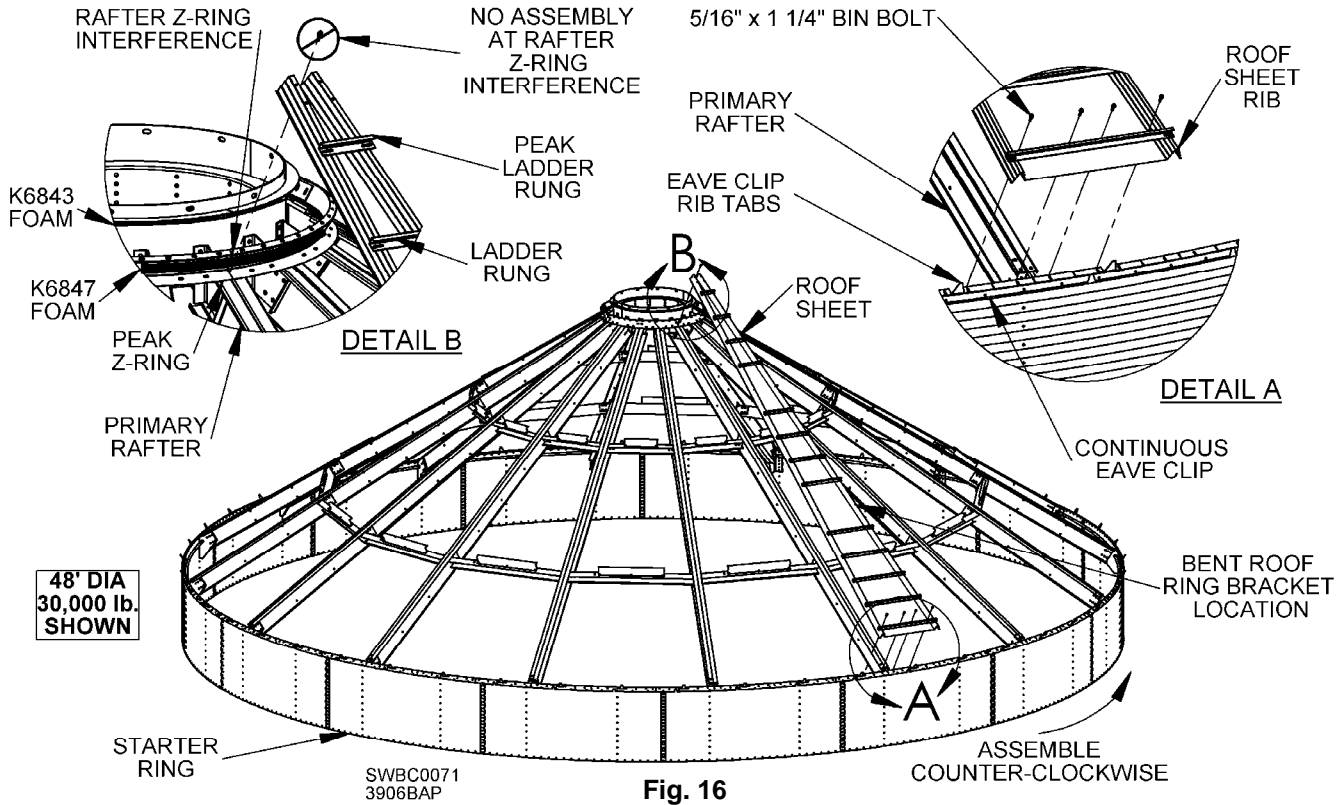


Fig. 16

Attach 1/2 x 1-1/2" foam (K6843) to peak ring weldment under outer lip. Attach 1/2 x 3" foam (K6847) to face of Z-ring. Peel off protective film and place foam as shown in Detail B of Fig. 16.

Align roof sheet ribs with eave clip rib tabs as shown in Detail A of Fig. 16. First roof sheet will attach directly over primary rafter and is the roof sheet to which roof ladder rungs will be attached. Primary rafter will be centered directly under roof ladder sheet. Insert 5/16 x 1-1/4" bolts through bottom of roof sheet into continuous eave clip. Fasten with 5/16" flange nuts. **HINT:** Leave bolts out near left-hand rib. This rib will be above rib of last sheet installed. See Detail A of Fig. 16.

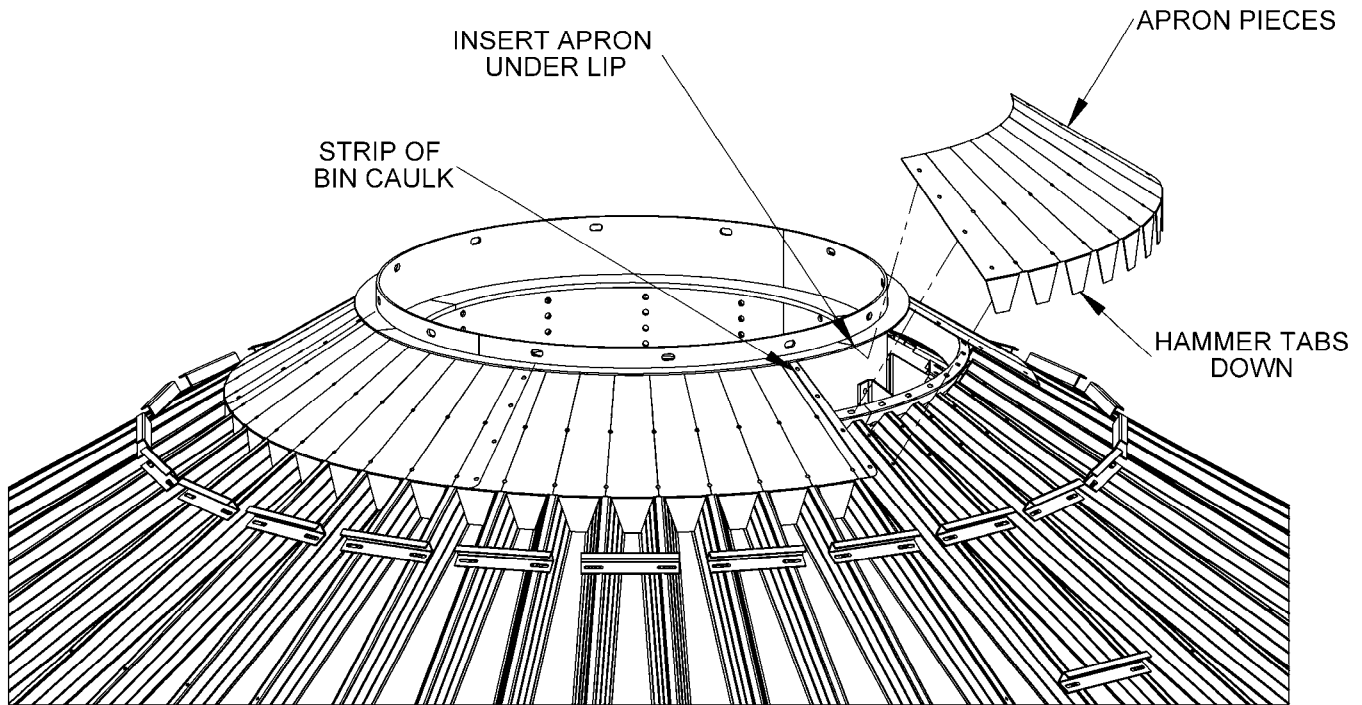
Insert 5/16 x 1-1/4" bin bolt through top of roof sheet and peak Z-ring. Fasten with 5/16" flange nuts. **NOTE:** Do not assemble hardware where rafter interferes with Z-ring; there is no need to drill through rafter. Do not fasten top four (4) holes on roof sheets or interference will occur with peak aprons. See Detail B. Be certain top of roof sheets are secured to Z-ring on either side of a rafter. Continue installing roof sheets counterclockwise. Attach roof ladder rungs onto roof sheet located directly over primary rafter as next sheet is put into place. This will allow positioning of manhole sheet on either side of roof ladder sheet and avoid rafter-manhole interference. Install peak ladder rungs on every other roof sheet near peak during roof sheet assembly. Tighten all roof sheet bolts.

Install bent roof ring mounting brackets in roof ribs using 5/16 x 1-1/4" bin bolts and 5/16" flange nuts. See Fig.16. Locations are listed below.

- 42' 5th & 10th holes from eave (Use 9th hole instead of 10th if using tapered roof vent)
- 48' 6th & 11th holes from eave.
- 54' 5th & 11th holes from eave.
- 60' 5th & 11th holes from eave.

Roof ring assembly instructions appear elsewhere in this section.

Peak Ring Apron Assembly



SWBC0071-1
3906BAP

Fig. 17

Assemble first apron piece by sliding top edge under peak ring lip and inserting 5/16 x 1-1/4" bin bolt through apron piece and Z-ring. Insert another 5/16 x 1-1/4" bin bolt through apron piece and roof sheet rib. Fasten both with 5/16" flange nuts. Fill all holes. See Fig. 17.

NOTE: If difficulty occurs when aligning apron holes, it may be necessary to field-drill through roof sheet ribs. Fasten apron to Z-ring and use apron roof sheet rib holes as pilot holes to ream or drill through roof sheet rib. Misalignment may be caused by adjustments made during roof assembly or by settling of roof sheets. When all roof sheet components are bolted in place and misalignment of apron holes occurs, it is very difficult to move assembled roof sheets to align holes. It consumes less time to field-drill holes than try to align them. Use existing 5/16 x 1-1/4" bolts and 5/16" flange nuts. Ensure there is a watertight seal on all field-drilled holes.

Apply bin caulk to edge of apron where two pieces overlap. Continue attaching apron pieces and applying caulk until fully assembled. Tighten all bolts.

Hammer down all tabs on aprons with a rubber mallet. Bend them down between roof sheet ribs until there is a small gap between all tabs and ribs.

Tighten all hardware not previously tightened.

External Roof Ring Attachment

See Table 5 for quantities of roof ring components based on bin diameter. Bent roof ring brackets should have been fastened at locations specified in Table 5 during assembly of roof panels.

Table 5 – Quantities of roof ring components

Bin Diameter	Bent Bracket, Roof Ring Location*	Internal Tube Splices	Expanders	10' Pieces**	U-Bolts	External Splice Tubes
42'	5	4	5	10	42	1
	10***	2	3	6	42	1
48'	6	5	5	11	48	1
	11	2	3	6	48	1
54'	5	6	7	14	54	1
	11	3	4	8	54	1
60'	5	7	8	16	60	1
	11	5	5	11	60	1

* Location determined by counting holes from bottom edge (eave) of roof sheet.

** Roof ring pieces are factory-rolled for intended location.

*** If using tapered roof vent on 42' bin, upper ring must be at 9th hole from eave instead of 10th.

Pre-assemble expander assemblies (1 x 10" threaded rod, 1" nuts and 1" washers) before installing ring. Run all four (4) 1" nuts to center of each threaded expansion rod. Position washers outside of nuts. Nuts and washers will later be run outward after all sections of ring have been assembled. See Fig. 18.

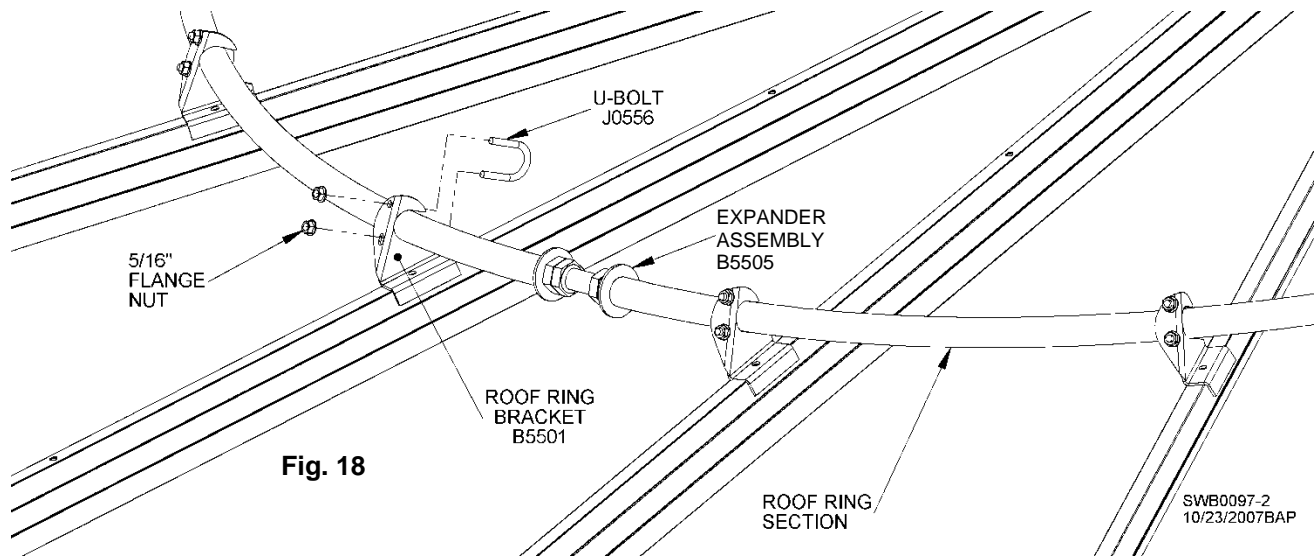


Fig. 18

Place first expander assembly near roof ladder. Center first ring section on roof ladder sheet. Evenly space remaining expanders around roof ring as ring sections are placed into bent roof ring brackets. Install internal tube splices (B5511) at all other locations except last one, where an external splice tube will be used. Fig. 19 shows 8" internal tube splice using a 5/16 x 1-1/4" bin bolt as a stopper. Fig. 20 shows 8" external splice tube (B5512) using 5/16 x 2" bolt. Place 5/16" U-bolts on all roof ring mounting brackets. See Figs. 18 and 19. Do not tighten U-bolt flange nuts until later after roof has been crowned.

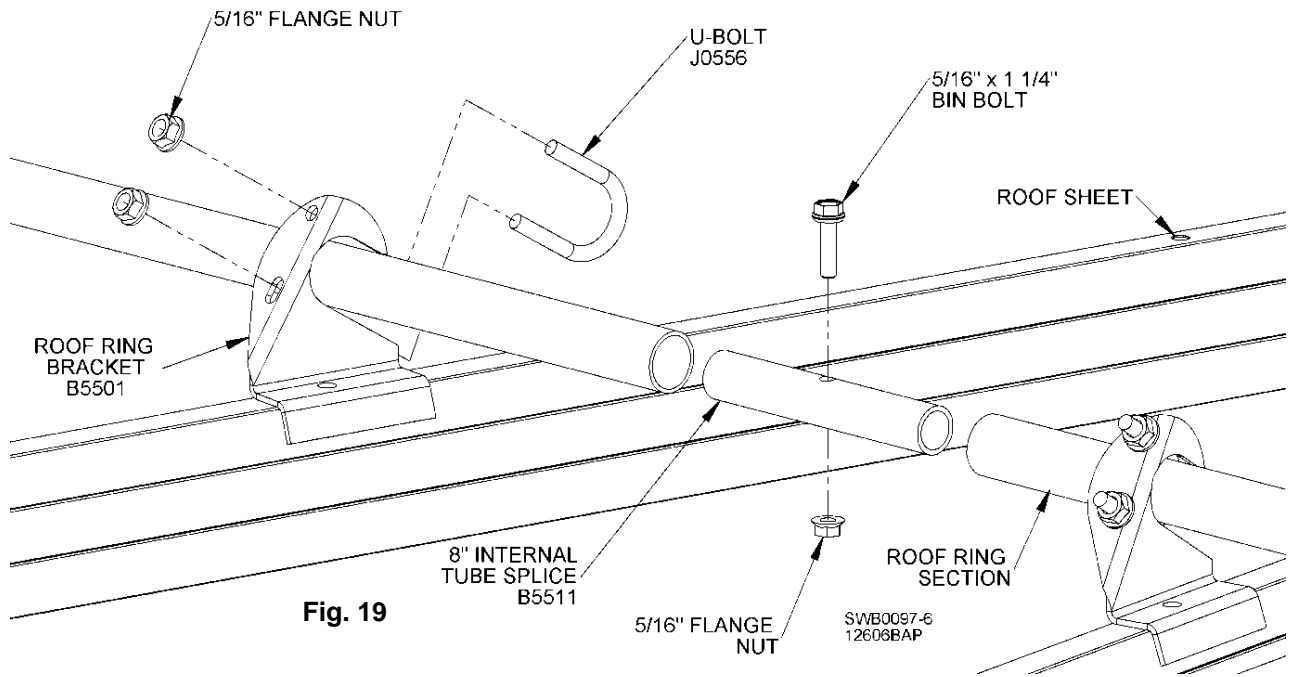


Fig. 19

External splice tube will be installed after all other splices and expanders are in place and ring sections are trimmed. If final section of roof ring will be less than 24" long, split the difference with previously assembled roof ring section and create two sections of equal length. See Fig. 20. Ensure there is a 3/8" gap between ring sections for bolt that will be inserted. It may be necessary to deburr cut edges.

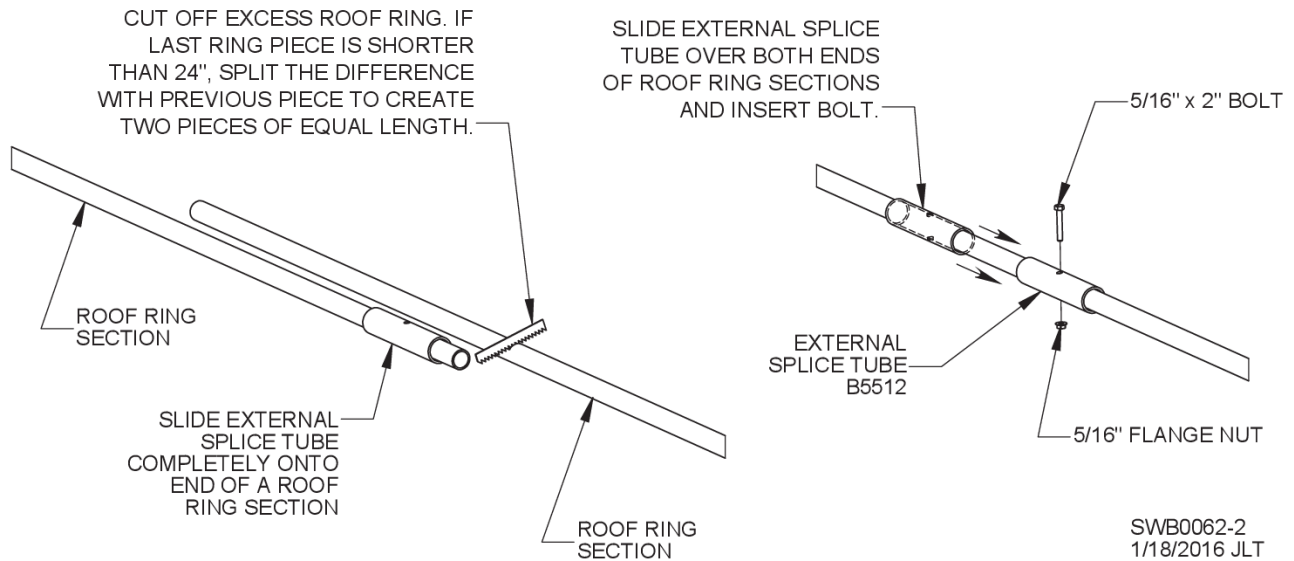


Fig. 20

Slide external splice tube (B5512) over one end of roof ring. Align ring sections and position splice over both. Insert 5/16 x 2" bolt into splice tube and lock in place with 5/16" flange nut.

Adjust expander assembly nuts until a slight crown appears in middle of roof sheets. Tighten second set of nuts (jam nuts) against expander nuts to help prevent loosening. Tighten 5/16" flange nuts on 5/16" U-bolts at all bent roof ring brackets.

IMPORTANT: Roof ring will fail if expander assemblies become loose due to high winds or excessive pressures. To guard against failure, be sure to follow procedures on these pages when installing ring.

Manhole Cover Assembly

ITEM	PART #	DESCRIPTION	QTY
1	B5384	MANHOLE RISER ASSEMBLY	1
2	B5386	MANHOLE,COVER HINGE	2
3	B5387	MANHOLE,HINGE FRAME	1
4	B5381	MANHOLE,COVER	1
5	B5392	MANHOLE HINGE CATCH	1
6	J4446	BRACKET,CLIP,LID,.5D,1.2L,.03T	2
7	B5385	MANHOLE,SIDE HINGE	2
8	B5391	MANHOLE SPRING HINGE ASSEMBLY	1
9	B5393	MANHOLE SPRING CATCH	1
10	J0504	BOLT 1/4 - 20 X 1/2	5
11	J0992	NUT, LOCK,1/4-20,PLT	13
12	J0505	BOLT 1/4 - 20 X 3/4	8
13	J0455	SCREW, #6-32, 1/4, PLT, SL, PHMS	4
14	J0982	NUT,HEX,6-32,PLT,MS	4
15	J3232	HANDLE,PULL,V4,VA FANS	1
16	J70955	VINYL EDGE GUARD 13/32X35/64	1

Table 6

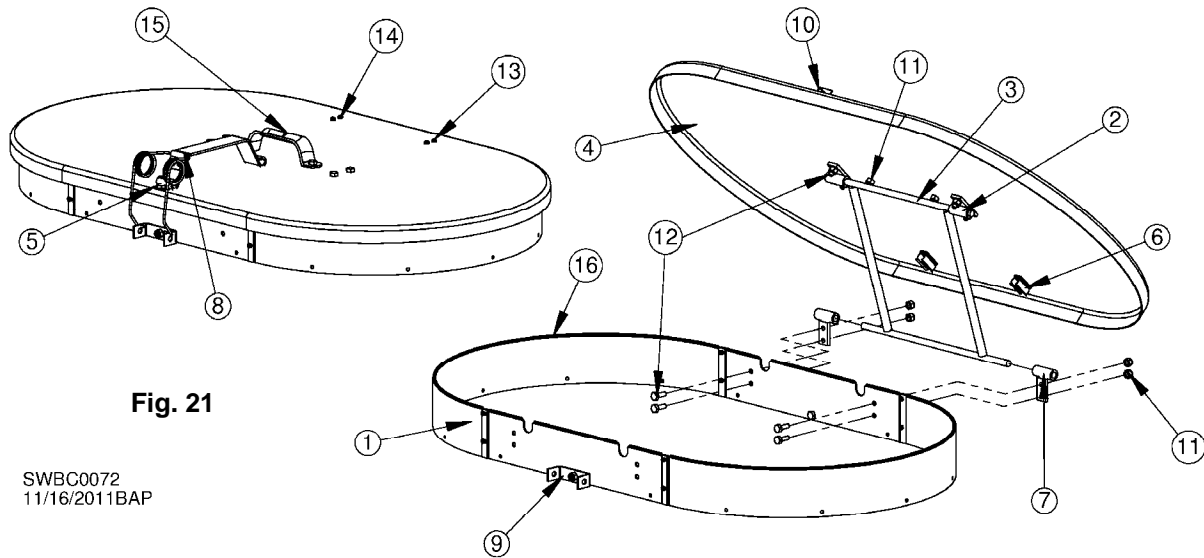


Fig. 21

SWBC0072
11/16/2011BAP

Install manhole cover by attaching a single side hinge to pre-assembled manhole riser using 1/4 x 3/4" bolts and 1/4" nuts. Ensure side hinge is bolted on outside of riser with hinge frame cylinder toward top. Also, hinges should be placed opposite of sidewall ladder for ease of access into bin through manhole. **NOTE:** Slots in top of riser eliminate interference between hinge frame and riser as lid is closed. Insert all bolts from inside of riser.

Insert hinge frame with attached cover to previously assembled side hinge. Place second side hinge onto hinge frame and bolt to riser using 1/4 x 3/4" bolts and 1/4" nuts. Install vinyl edge guard around top of riser by pressing onto lip. Cut away material over slots on hinged side so hinge frame can close. See Fig. 21.

Install spring hinge assembly into spring catch at base of riser. Spring hinge assembly secures lid by locking handle down on lid and against manhole hinge catch.

Poly Roof Vent Assembly

Follow instructions on this and next page to install Poly Roof Vent. If using optional snow guard, attach as shown in Fig. 24 before screen is attached to vent. See Fig. 25 and related instructions for attaching braces to vents on bins in ASCE 7-05 Code, 120 mph or higher wind zone.

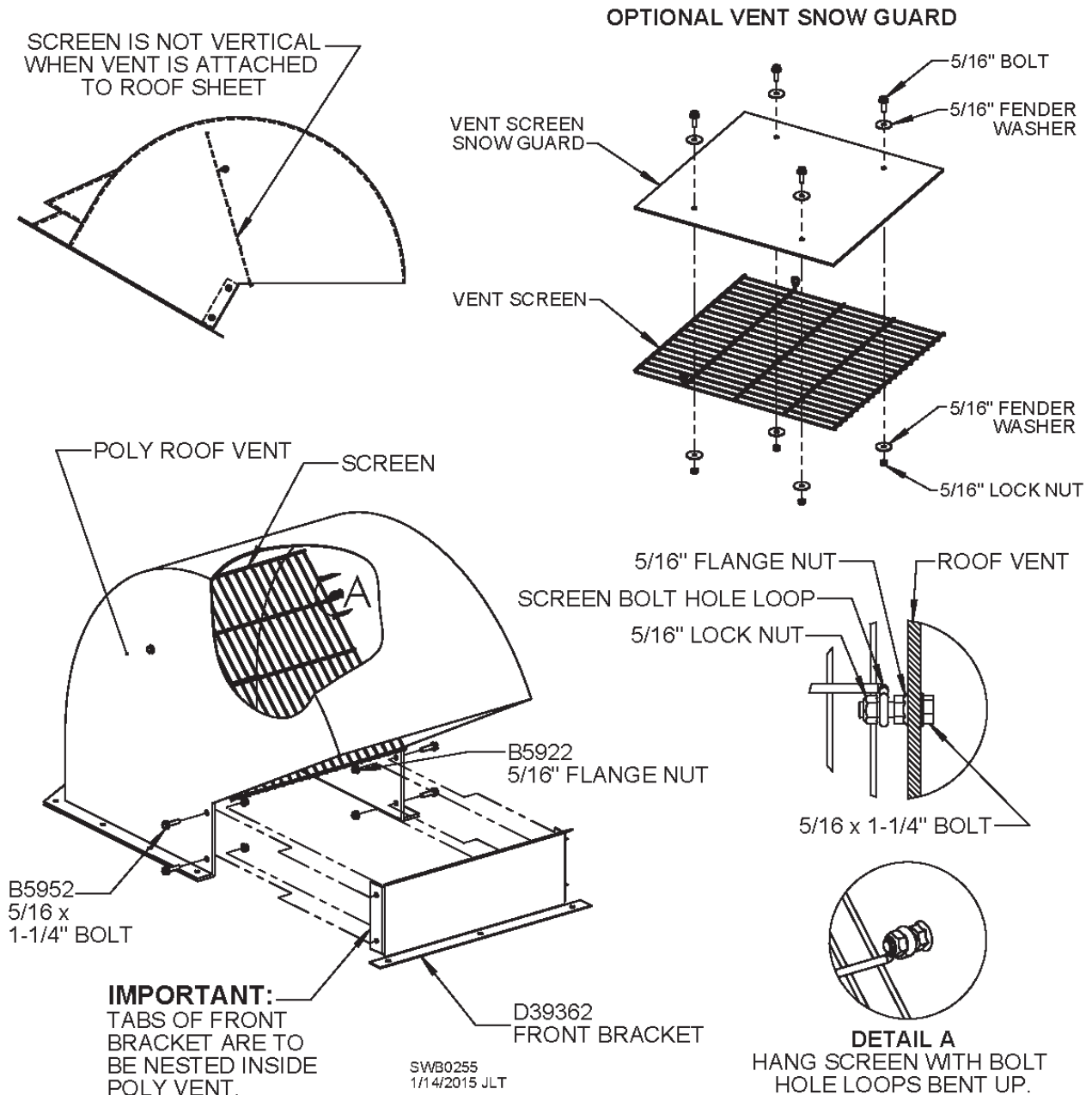


Fig. 22

Insert 5/16 x 1-1/4" bolts into pivoting screen holes from outside in as shown above. Tighten to poly vent with 5/16" flange nuts. Work the pivoting screen bolt hole loops over the 5/16 x 1-1/4" bolts with loops bent up as shown in Detail A. Screen should be attached so it will be at a slight angle when vent is attached to roof. Screen should not be vertical. Fasten 5/16" lock nuts to ends of 5/16" bolts as shown above to ensure screen stays in place and can pivot freely on bolts.

Tabs of front bracket should be nested inside of poly vent. Apply butyl caulk to front edges of roof vent to ensure a watertight seal when front bracket is fastened.

Attach front bracket to poly roof vent using 5/16 x 1-1/4" bolts and 5/16" flange nuts. Tighten all hardware.

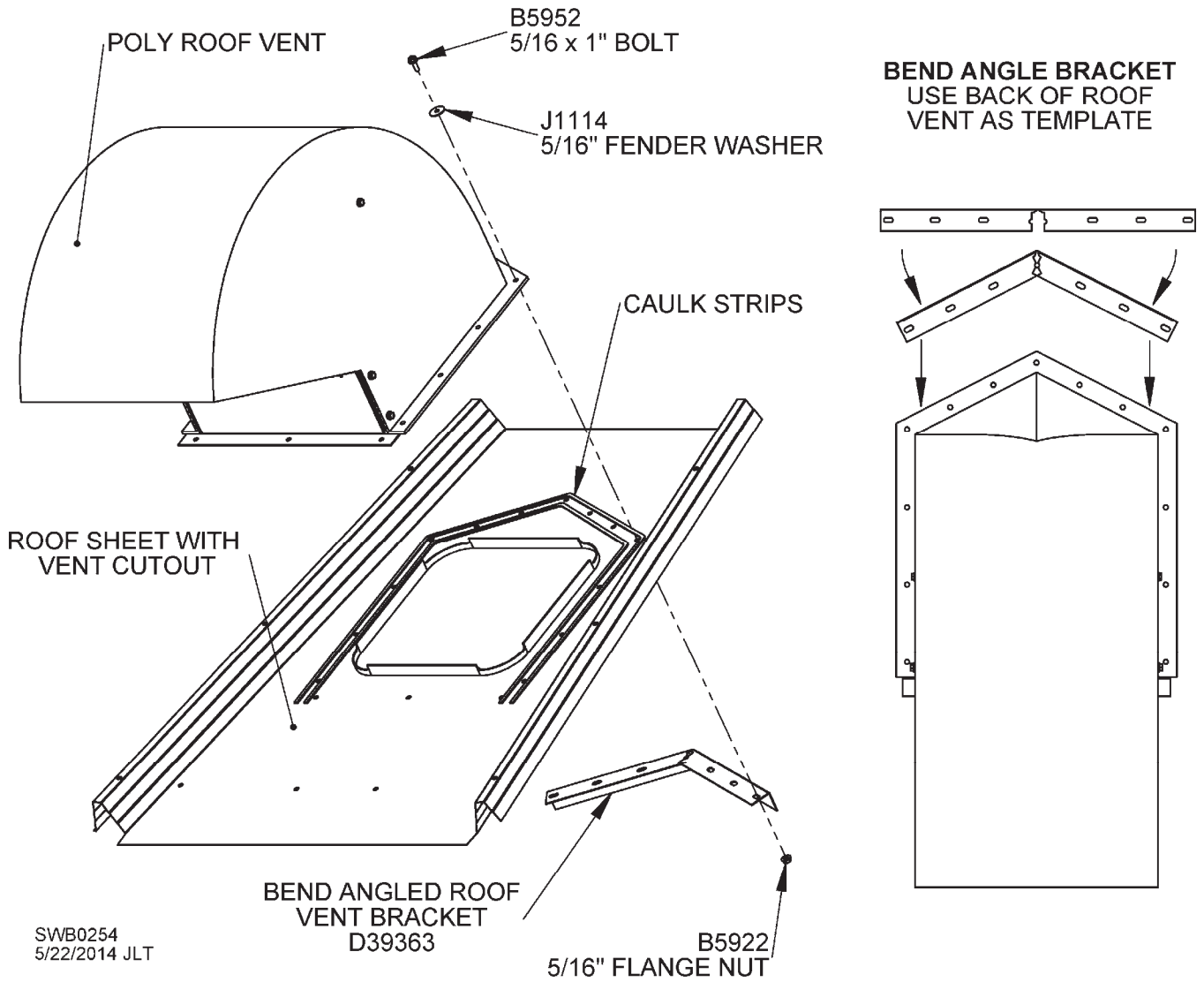


Fig. 23

Apply two strips of butyl caulk around cutout, one on each side of mounting holes, as shown in Fig. 23. Additional butyl caulk is provided to apply a double stack on top side of roof vent cutout. Apply butyl caulk close to mounting holes, leaving a 1" gap around outside strip.

Field-bend angle bracket using back of vent as a template.

Attach roof vent and angle bracket to roof sheet using 5/16 x 1-1/4" bolts, 5/16" fender washers and 5/16" flange nuts as shown in Fig. 23. Use 5/16" fender washers on top side of poly flange. **NOTE:** To prevent damage to poly roof vent flanges, secure vent to roof by tightening nuts on underside of roof sheet instead of tightening bolts on top side. Check sealant along top side of roof vent base for any gaps or pockets. Apply a bead of tube caulk (not provided) along top side of base to ensure a watertight seal.

IMPORTANT: Check caulk along top side of base yearly and re-apply as needed to prevent leakage.

Attaching Optional Snow Guard & Vent Braces

Attach optional snow guard to vent screen as shown in Fig. 24 using 5/16" hardware.

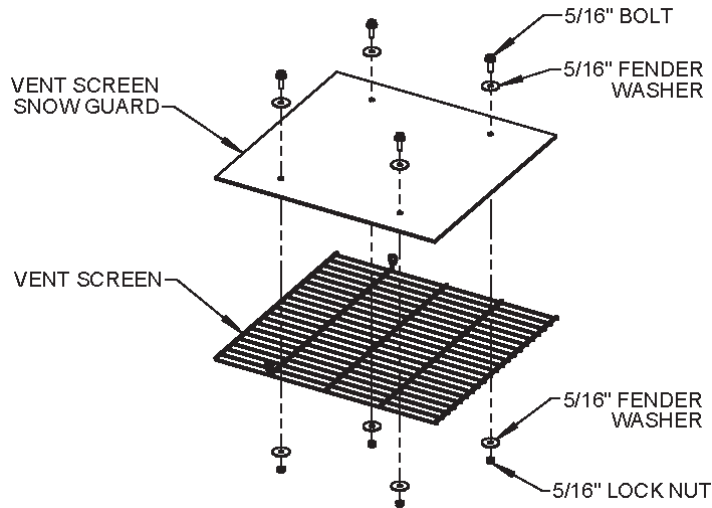


Fig. 24

Braces for Vents in 120 mph or Higher Wind Zones

Add braces to poly roof vents to provide greater stability on bins in ASCE 7-05 Code, 120 mph or higher wind zone.

Adjust braces so that holes on flat ends will attach to sides of roof vent and to top of roof sheet ribs as shown in Fig. 25. Position braces so they are spaced out as much as possible.

After ensuring vent brace alignment, drill holes in sides of roof vent and top of roof ribs.

Use 5/16" hardware to attach D3936P7 braces to all four (4) corners of roof vent.

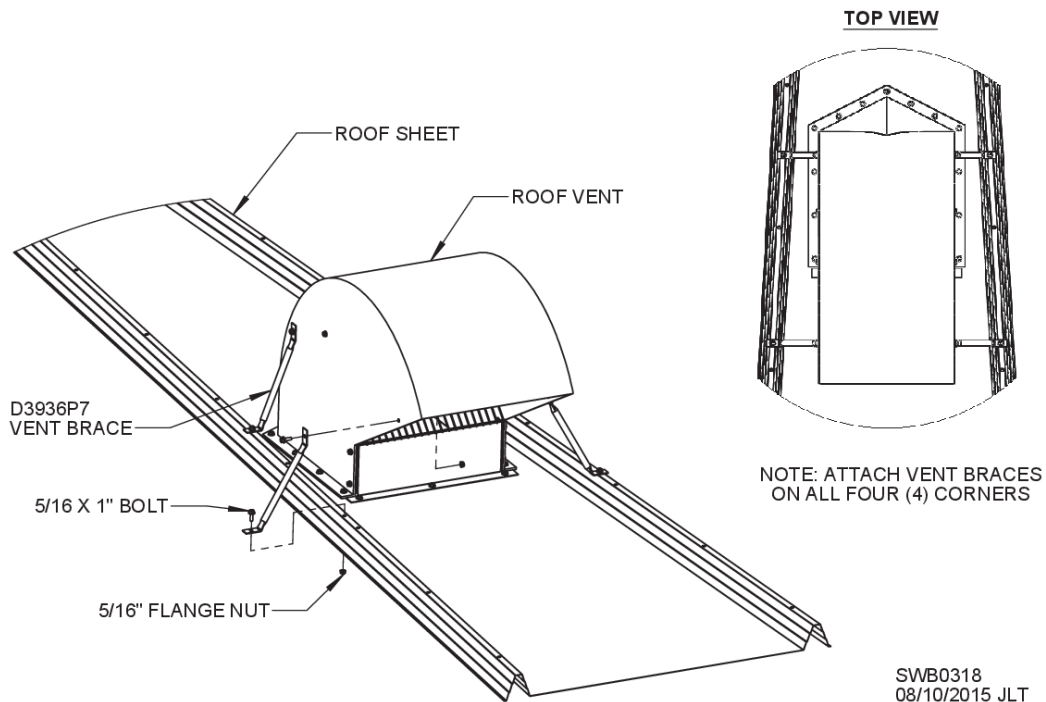


Fig. 25

SWB0318
08/10/2015 JLT

Tapered Poly Roof Vent Assembly

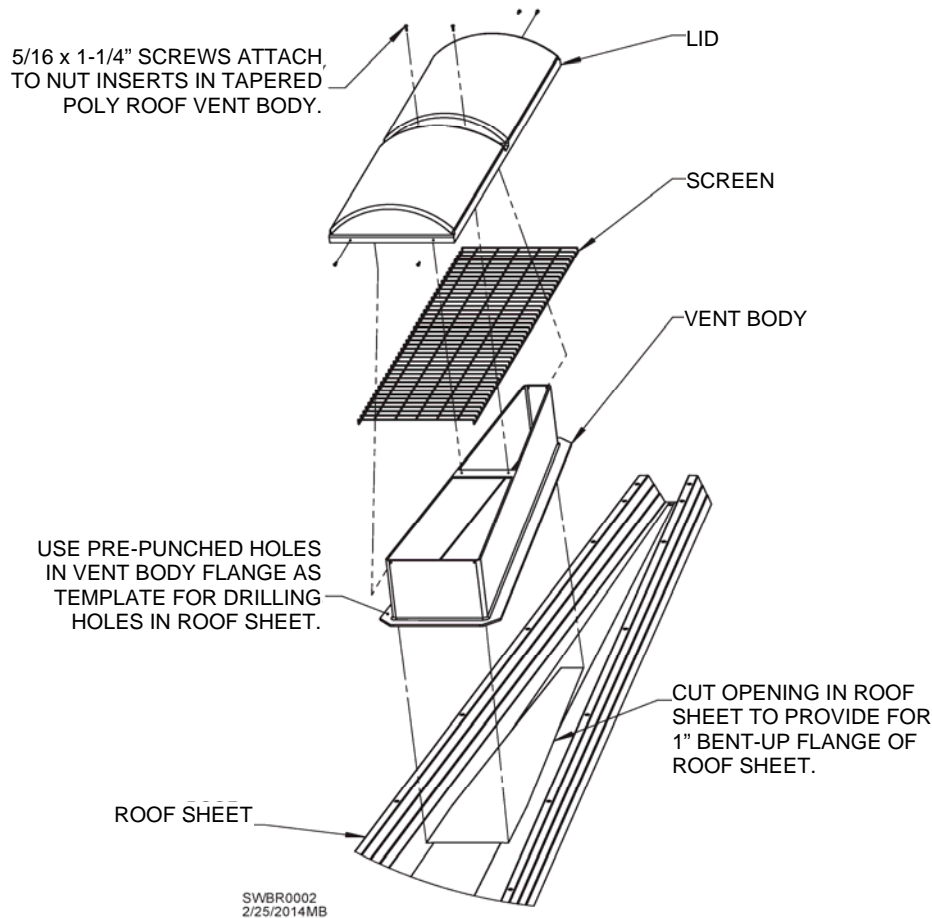


Fig. 26

NOTE: Vent comes pre-assembled from factory but should be taken apart for installation.

Position pre-assembled vent close to peak of bin, leaving enough room to attach vent to flat area of roof sheet and allow for drainage around vent. Remove lid and screen by unscrewing five (5) 5/16 x 1-1/4" bolts from nut inserts in body of vent. Turn body upside-down and use as a template for marking cutout opening. Draw lines for cutout 1" inside of vent sides. After cutting out vent hole in roof, bend edges upward to create flange that will help prevent water from leaking in. Turn vent body upright and position over cutout. Use pre-punched holes in vent flanges as template for drilling attachment holes in roof sheet. Set vent body aside.

Apply two strips of butyl caulk around cutout, with one strip on each side of mounting holes.

Attach body of vent to roof using 5/16 x 1-1/4" bolts, 5/16" fender washers and 5/16" flange nuts.

NOTE: To prevent damage to poly roof vent flanges, secure vent to roof by tightening nuts on underside of roof sheet instead of tightening bolts on outside. Check sealant along top side of roof vent body for any gaps or pockets. Apply a bead of tube caulk (not provided) along top side of body to ensure a watertight seal.

Re-attach lid and screen to body of vent by screwing (5) 5/16 x 1-1/4" bolts into nut inserts in body of poly roof vent.

IMPORTANT: Check caulk around vent yearly and re-apply as needed to prevent leakage.

Single Temperature Cable Support Brackets

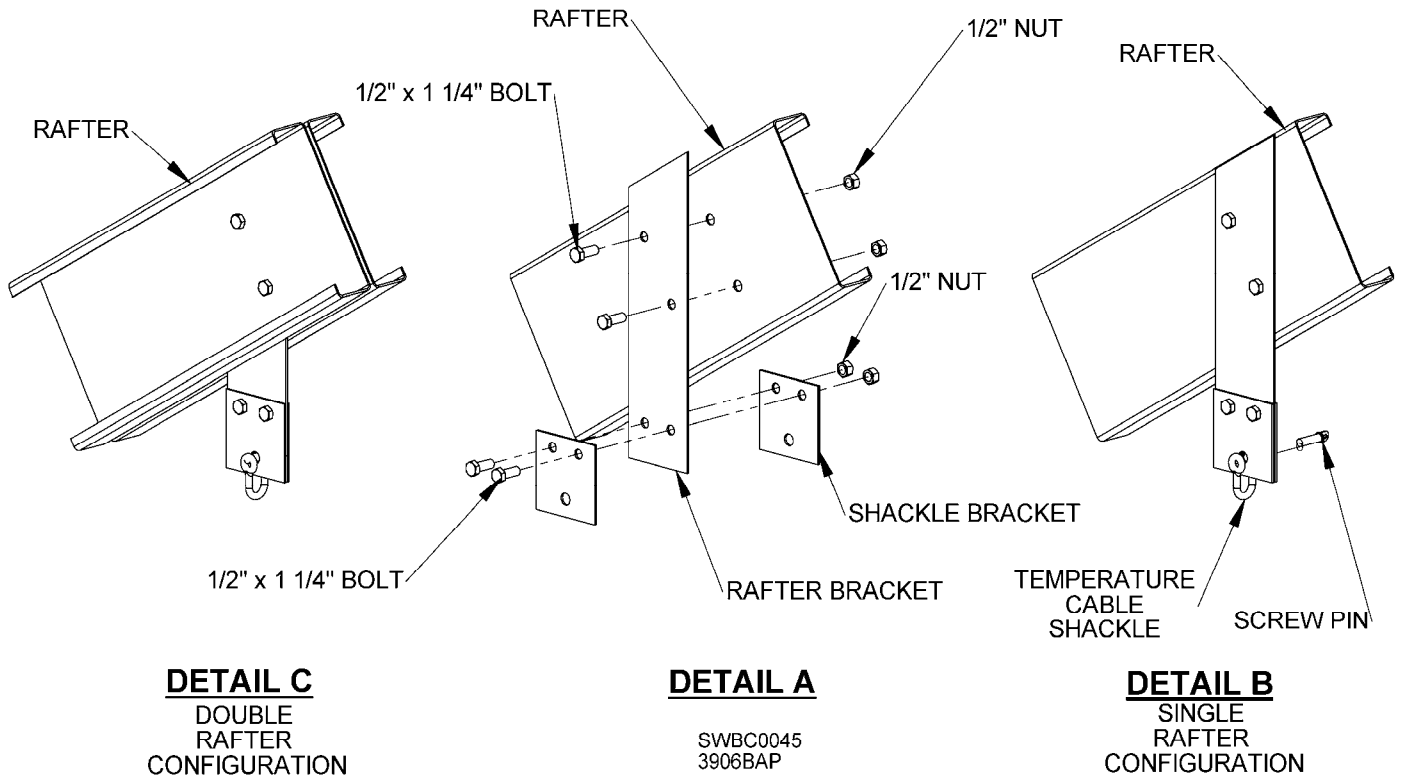
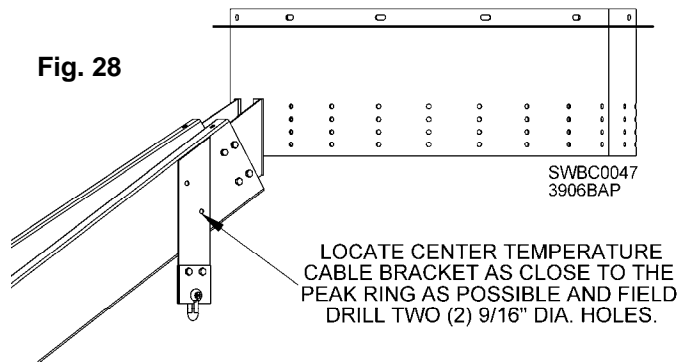


Fig. 27

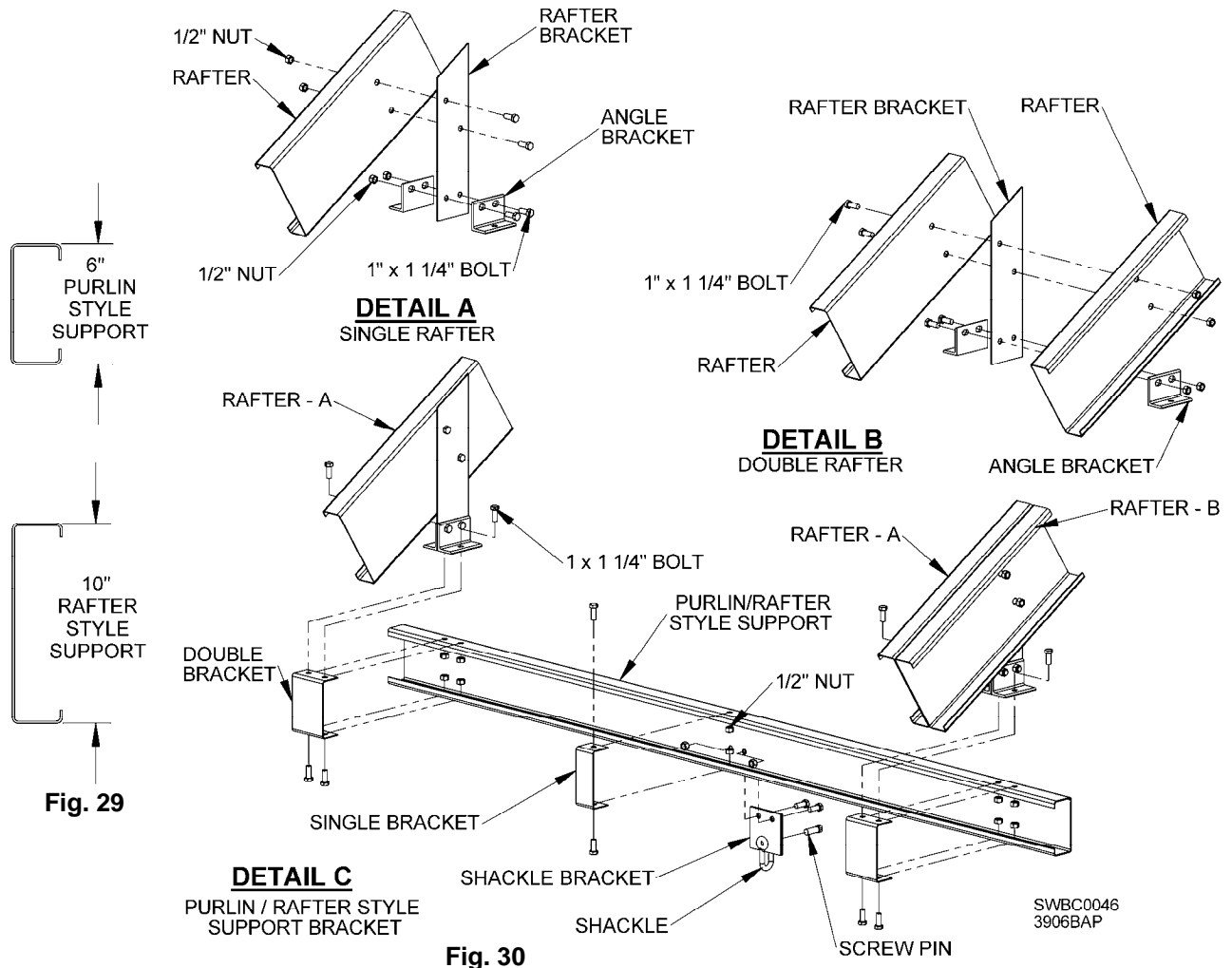
Single temperature cable support brackets can be attached to a single or double rafter. Position brackets close to specified temperature cable hanging location. Attach brackets to rafters using 1/2 x 1-1/4" bolts and 1/2" flange nuts. Align two shackle brackets with each rafter bracket and attach with 1/2 x 1-1/4" bolts and 1/2" flange nuts. See Detail A of Fig. 27. Tighten all hardware. Detail B shows a single-rafter configuration. Detail C shows a rafter bracket placed between back-to-back rafters. A shackle is used to hang temperature cable. After attaching temperature cable to shackle, attach shackle to shackle brackets with screw pin. See Detail B.

IMPORTANT: Install only one temperature cable bracket per rafter. Ensure support brackets are in location specified by temperature cable manufacturer. Do not attach more temperature cable supports than recommended. Follow instructions from temperature cable provider.

Center temperature cable bracket must be placed as close to peak ring as possible. Field-drill two (2) holes using rafter bracket as drill guide. See Fig. 28. A double rafter configuration requires back-to-back attachment of rafters and two additional 9/16" holes to be drilled. Assemble center temperature cable per previous instructions on this page.



Double Temperature Cable Support Brackets



Double temperature cable support brackets can be attached to a single or double rafter. Position support brackets on rafter close to specified temperature cable hanging location. Attach rafter bracket to rafter using 1/2 x 1-1/4" bolts and 1/2" flange nuts. Align angle bracket with rafter bracket and fasten with 1/2 x 1-1/4" bolts and 1/2" flange nuts. See Details A and B of Fig. 30. Tighten all hardware. Detail A shows a single rafter. Detail B shows a rafter bracket between back-to-back sections of a double rafter.

Attach double bracket, single bracket and two shackle brackets to purlin/rafter style support with 1/2 x 1-1/4" bolts and 1/2" flange nuts as shown in Detail C of Fig. 30. Depending on size and height of bin, two different supports are used: a 6" purlin-style support or a 10" rafter-style support. See Fig. 29. Attach purlin/rafter style support assembly to angle brackets using 1/2 x 1-1/4" bolts and 1/2" flange nuts. Tighten all hardware. A shackle is used to hang temperature cable from support brackets. After attaching temperature cable to shackle, attach shackle-to-shackle brackets with screw pin. See Fig. 30 Detail C.

IMPORTANT: Use only one temperature cable bracket per rafter. Ensure support brackets are in location specified by temperature cable manufacturer. Do not attach more temperature cable supports than recommended. Follow instructions from temperature cable provider.

Attaching Octagon Lid Weldment

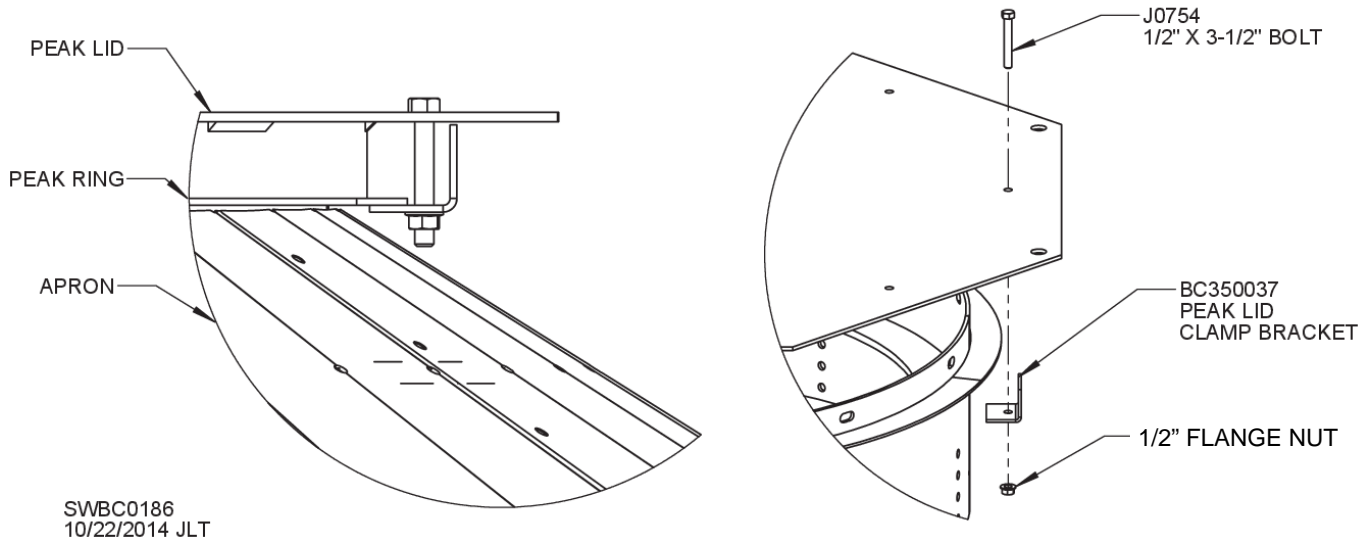


Fig. 31

Attach octagon lid weldment to top of peak ring weldment. See Fig. 31. Top of peak ring weldment will fit between inner and outer rings of lid weldment. Insert 1/2 x 3-1/2" bolt through lid and clamp bracket as shown in Fig. 31 and secure with 1/2" flange nut. A total of four clamp brackets are provided. They should be positioned equidistantly from one another. Ensure all four brackets are tight against flange of peak ring as shown.

DISCLAIMER: If catwalk or other accessories will be attached to lid, lid must be welded to peak ring. Number and type of welds must be determined by customer (or its retained engineer or construction supervisor). Factors to consider include, but are not limited to, live loads, dead loads and wind loads. Weight of catwalk or other accessories must be supported by a structure other than bin. Support structure must be designed by a professional engineer. Sukup Manufacturing Co. will not be responsible for any damage to a product, including, but not limited to, any damage that results from inadequate or improper bracing or welding methods and materials.

Cut appropriately sized hole into top of lid weldment with a torch or plasma cutter to allow for downspout. To ensure watertight seal, caulk all around after material cools. Apply touch-up paint if needed.

Knot-passing Pulley, Restraint Anchor Installation

For added bin safety, a knot-passing pulley is mounted inside of bin near the peak on roofs rated for 15,000 pounds or more. Knot-passing pulley is intended to be used with a lifeline and safety harness (neither supplied by Sukup Manufacturing Co.). A feeder line should pass through knot-passing pulley at peak and through restraint anchor at eave of bin near manhole. See Fig. 32. Feeder line is used to pull lifeline through knot-passing pulley for safety harness attachment. Do not attach safety harness to feeder line. Use safety equipment according to manufacturers' instructions. Refer to Sukup Grain Bin Operation Manual Safety Section and www.osha.gov for additional safety information.

IMPORTANT: At the rafter that is next to manhole, attach knot-passing pulley at the peak so pulley aligns with restraint anchor near sidewall. Ensure that any temperature cables in bin will not interfere with feeder line.

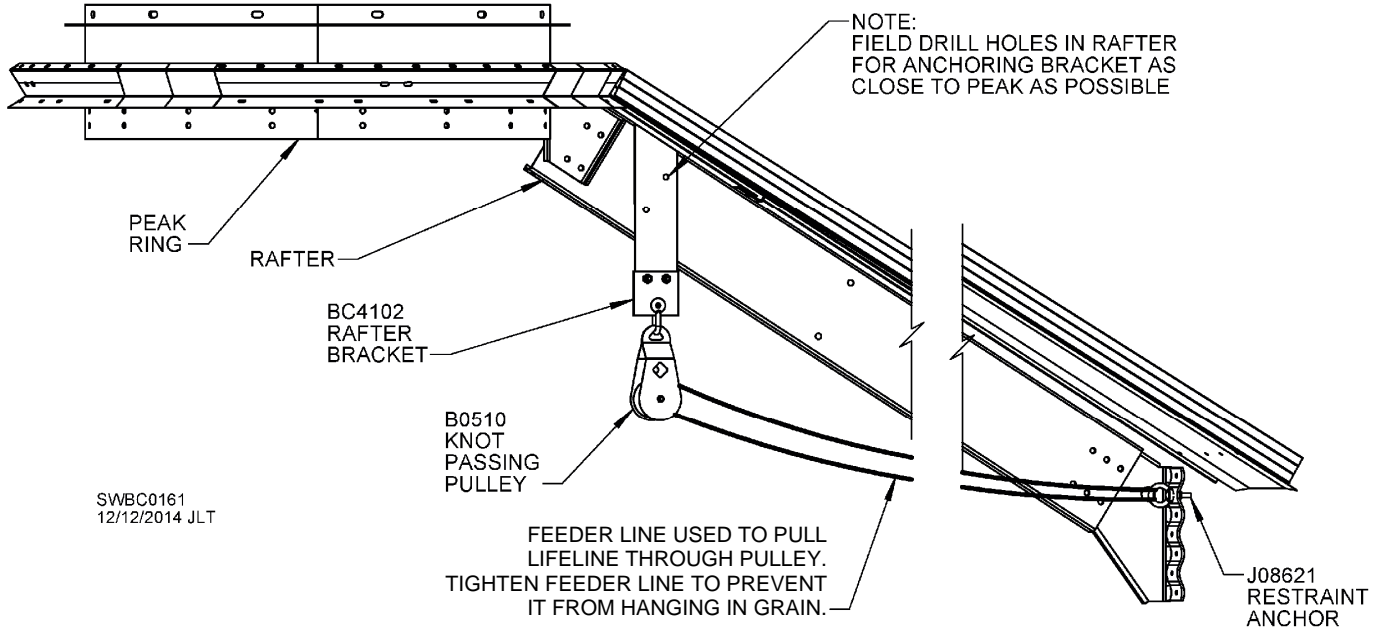


Fig. 32 – Mount knot-passing pulley close to peak ring (single rafter shown)

Each kit contains knot-passing pulley, restraint anchor, rope for feeder line, brackets, decals and hardware needed for mounting pulley and restraint anchor.

Table 7

KIT #	BIN DIAMETER, ROOF RATING	ROPE (FT.)
B0584	18'-24', 15K & 30K	24
B0579	27'-39', 15K & 30K	40
B0546	42'-60', 15K & 30K	66
B0578	66'-78', 15K & 30K	90
B0591	84'-105', 15K & 30K	120
B0596	90'-156', 50K	160

NOTE: For ease of installation, it is best to install knot-passing pulley during assembly of roof substructure and restraint anchor during assembly of first (top) ring of bin.

Knot-passing Pulley Installation: Attach knot-passing pulley to rafter bracket as shown in Fig. 32. Bracket should be mounted to a rafter as close to peak ring as possible. Mounting of bracket will depend on type of rafter. For single-rafter roof, field-drill two (2) 9/16" holes using rafter bracket as drill guide. See Fig. 33. A double rafter (Fig. 34) requires two (2) additional 9/16" holes be field-drilled, with bracket mounted between rafter sections. For I-beam roof rafter, drill four (4) 9/16" holes in I-beam and mount angle brackets as shown in Fig. 35, then attach pulley mounting bracket. In all cases, 1/2" bolts and nuts are used to attach brackets, and a shackle is used to hang knot-passing pulley from rafter bracket.

Fig. 33 - Mounted to single rafter

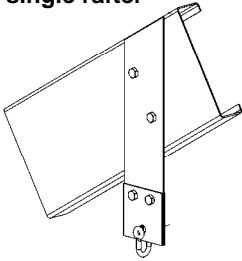


Fig. 34 - Mounted to double rafter

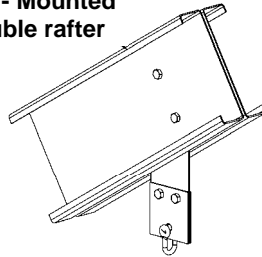
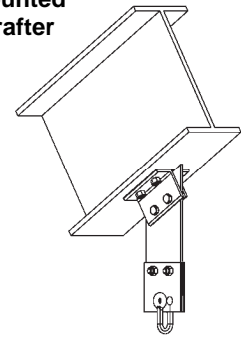
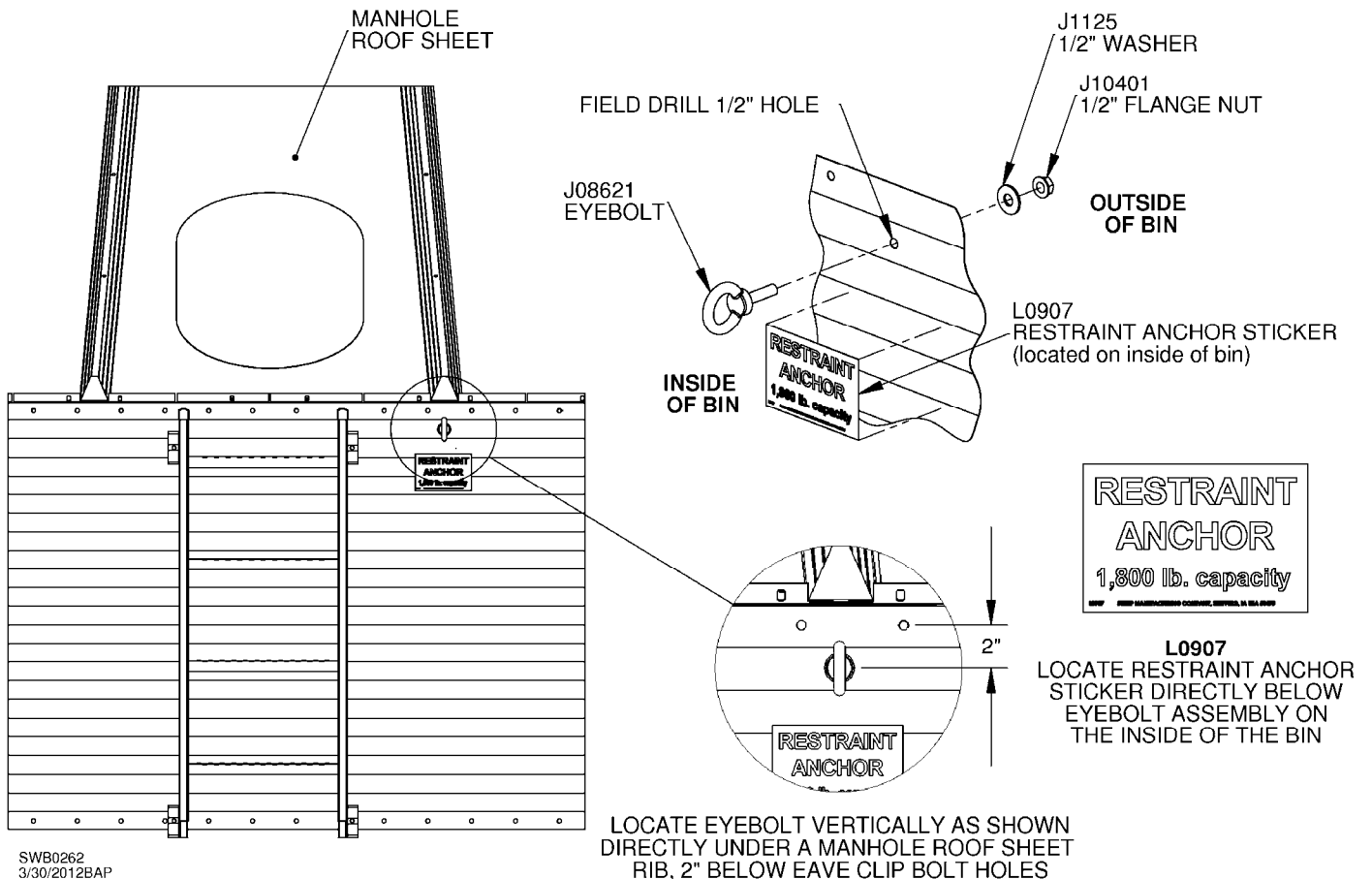


Fig. 35 - Mounted to I-beam rafter



Restraint Anchor Installation: Install restraint anchor eyebolt 2" below horizontal line of eave clip bolt holes on inside wall of bin. See Fig. 36. Field-drill 1/2" hole below manhole roof sheet rib. Insert eyebolt as shown, making sure ring is perpendicular to ground, and secure with 1/2" washer and 1/2" flange nut.

As shown in Fig. 36, place decal **L0907** on inside of bin just under eyebolt location.



SWB0262
3/30/2012BAP

LOCATE EYEBOLT VERTICALLY AS SHOWN
DIRECTLY UNDER A MANHOLE ROOF SHEET
RIB, 2" BELOW EAVE CLIP BOLT HOLES

Fig. 36

Commercial Stiffened Sidewall Assembly

Each Sukup commercial bin is shipped with a sidewall color chart similar to chart shown below. **See back page of manual for actual chart.** This chart contains all information about sidewall gauges, stiffener gauges and bolt sizes. Builder must refer to this information. Some bins have two stiffeners per sidewall sheet and others have three. Assembly instructions in this section are the same for both except where noted.

Ring #	WALL GA	WALL COLOR	WALL PUNCH	BOLT SIZE	STIF GA	PART #	BOLT SIZE	SPLICE GA	PART #	BOLT SIZE	WIND RING
1	17	BLUE	2	3/8" X 1"	12	BC5052	3/8"X1"				@
2	17	BLUE	2	3/8" X 1"	15	BC5087	3/8"X1"		BC5057	3/8"X1 1/4"	@
3	15	WHITE	2	3/8" X 1"	14	BC5067	3/8"X1"		BC5077	3/8"X1 1/4"	@
4	15	WHITE	2	3/8" X 1"	12	BC5047	3/8"X1"		BC5057	3/8"X1 1/4"	@
5	14	PINK	2	3/8" X 1"	12	BC5047	3/8"X1"		BC5057	3/8"X1 1/4"	@
6	13	YELLOW	2	3/8" X 1"	12	BC5047	3/8"X1"		BC5057	3/8"X1 1/4"	@
7	13	YELLOW	2	3/8" X 1"	12	BC5047	3/8"X1"		BC5057	3/8"X1 1/4"	@
8	12	BLK/PRPL	2	3/8" X 1"	12	BC5047	3/8"X1"		BC5057	3/8"X1 1/4"	@
9	11	PURPLE	2	7/16" X 1 1/4"	10	BC5037	3/8"X1 1/4"		BC5037	3/8"X1 1/4"	@
10	11	PURPLE	2	7/16" X 1 1/4"	10	BC5037	3/8"X1 1/4"		BC5037	3/8"X1 1/4"	@
11	10	GREEN	2	7/16" X 1 1/4"	12	BC5047	3/8"X1 1/4"		BC5048	3/8"X1 1/4"	+
12	10	GREEN	2	7/16" X 1 1/4"	12	BC5047	3/8"X1 1/4"		BC5048	3/8"X1 1/4"	+
13	9	BROWN	2	7/16" X 1 1/4"	12	BC5047	3/8"X1 1/4"		BC5048	3/8"X1 1/4"	+
14	9	BROWN	2	7/16" X 1 1/4"	12	BC5047	3/8"X1 1/4"		BC5048	3/8"X1 1/4"	+
15	8	ORANGE	3	7/16" X 1 1/4"	12	BC5047	3/8"X1 1/4"		BC5028	3/8"X1 1/4"	
16	8	ORANGE	3	7/16" X 1 1/4"	10	BC5027	3/8"X1 1/4"		BC5028	3/8"X1 1/4"	
17	8	ORANGE	3	7/16" X 1 1/4"	10	BC5027	3/8"X1 1/4"		BC5028	3/8"X1 1/4"	
18	1313	RED/YLW	3	7/16" X 1 1/4"	6	BC5102-01 BC51221	7/16"X1 1/2"		BC50031	3/8"X1 1/4"	
19	1313	RED/YLW	3	7/16" X 1 1/4"	6	BC5102-01 BC51221	7/16"X1 1/2"		BC50031	3/8"X1 1/4"	

@ = Standard sidewall ring location. + = Extra sidewall ring for sidedraw system. I = Insert splice

Table below shows colors used to indicate sidewall and stiffener gauges.

SIDEWALL GAUGE	COLOR	STIFFENER GAUGE
20	RED	
18	GRAY	
17	BLUE	2
15	WHITE	15
14	PINK	14
13	YELLOW	6
12	BLACK	12
11	PURPLE	
10	GREEN	10
9	BROWN	
8	ORANGE	8

IMPORTANT: Sukup grain bins require a snug fit connection. A snug fit is when steel sheets are fully drawn together, allowing for a thin layer of caulk and compressing rubber washers to seal bolt holes. A snug fit is usually attained with a few impacts of an impact wrench. Use table below as a guideline for gauging impact wrench effectiveness. Wrench should be able to achieve stated torque on a dry fit connection (no caulk between sheets).

BOLT	GRADE	FT-LBS
5/16	8.2	15-20
3/8	8.2	25-35
7/16	8.2	45-55
1/2	8.2	65-80

IMPORTANT: At no time should any bolts be substituted for those supplied by Sukup Manufacturing Co.

IMPORTANT: If bin door and unload system will be in same sidewall sheet, ensure that sheet is reinforced around cutout for unload system. See last page of this section for cutout reinforcement instructions.

Fastener Usage

Two types of nut – flange and hex – are used on Sukup commercial bin bolts, depending on size of bolt and connection for which bolt is used. Flange nuts are used on all bolts connecting stiffeners to sidewall sheets and on all bolts connecting laminated stiffeners (These bolts are inserted from inside of bin). See table below for nuts to use on bolts connecting sidewall sheets together (These bolts are inserted from outside of bin).

	3/8"	7/16"	1/2"
Stiffener	Flange	Flange	Flange
Sidewall	Flange	Hex	Hex

Jack Bolt Usage

Please read information on jack bolts carefully to understand quantity supplied. Quantity depends on diameter and height of bin. Quantity is based on jacks having four (4) bolt holes in their attaching brackets. Number of jacks per ring is based on diameter of bin bolt used in that particular ring. Quantity of jack bolts is determined by multiplying number of jacks used in each ring by four (4) bolts.

Listed below are four (4) diameters of jack bolts used on Sukup bins. Diameter of jack bolt is based on diameter of bin bolt. Longer jack bolts are needed as thickness of sidewall increases. **NOTE:** Number of jacks per sidewall sheet is based on weight of structure being lifted. Generally, more jacks will be used as more rings are added.

5/16" Bin Bolt	1 Bin Jack per 2 Sidewall Sheets	5/16" x 1-3/4" Jack Bolts
3/8" Bin Bolt	1 Bin Jack per 1.5 Sidewall Sheets	3/8" x 2" Jack Bolts
7/16" Bin Bolt	1 Bin Jack per 1 Sidewall Sheet	7/16" x 2" Jack Bolts
1/2" Bin Bolt	1 Bin Jack per 1 Sidewall Sheet	1/2" x 2-3/4" Jack Bolts

After a ring has been added and bin jacks are lowered, jack bolts can either be left in sidewall or removed and replaced with bin bolts of appropriate length. Jack bolts are supplied without reducing quantity of standard-size bolts. Be sure to use bolts sized for heavier sidewall sheets as rings are added during construction.

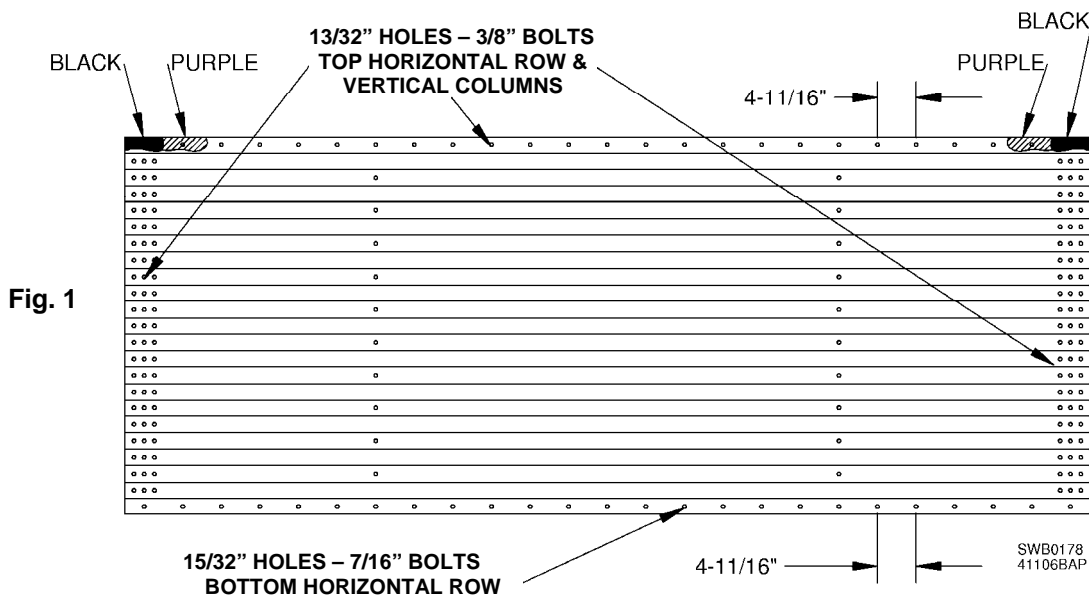
Special Sidewall Sheets

Up to four special sheets are used on Sukup commercial bins to transition from smaller bolts in upper rings to larger bolts in lower rings. These sheets contain different size holes and/or horizontal row punch patterns and are distinguished by paint schemes as follows: Purple/Black (shown below); Brown/Green; Purple/Orange; Red.

Special 12ga (Purple/Black) Sheets

These sheets are used to transition from a 12ga (upper) and 11ga (lower) ring of sheets. Two sizes of holes are punched in the 12ga Purple/Black sheet. As shown in Fig. 1, 13/32" holes are punched in top horizontal row and vertical columns, while 15/32" holes are punched in bottom horizontal row. This is done so 15/32" holes and 4-11/16" hole spacing on bottom of 12ga sheets will match top of attaching 11ga sheets with no additional drilling or reaming required.

NOTE: There is a specific top and a bottom to Purple/Black sheets and they are painted on top edge only, as shown in Fig. 1. Be sure to use 3/8" bolts in 13/32" holes and 7/16" bolts in 15/32" holes.



Special 10ga Brown/Green Sheets

These sheets are used for horizontal seam spacing transition from 4-11/16" spacing (top of sheet) to 2-11/32" spacing (bottom).

Special 8ga Laminated Purple/Orange Sheets

These laminated sheets are used for going from 7/16" bolts (top of sheet) to 1/2" bolts (bottom). Holes in top horizontal row are 15/32", while those in bottom horizontal row are 9/16".

Special Red Sheets for 7/16" stiffener bolts

These sheets have red paint in upper corners in addition to their normal color code. They use 7/16" bolts instead of 3/8" bolts on stiffeners. They are used for attaching 2ga and 6ga stiffeners.

Use of these four special sheets depends on size of bin. See color chart for proper sheet locations. All special sheets are included in sidewall bundles.

Color coding is same whether sheet is punched for two stiffeners or three stiffeners.

Assembly Instructions

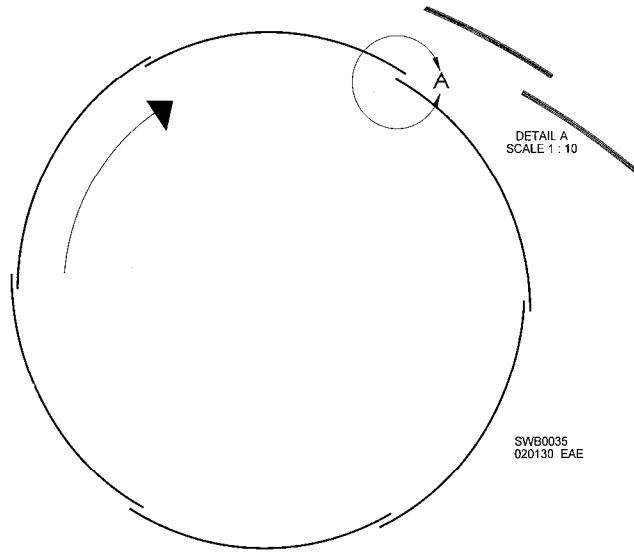


Fig. 2

Place sidewall panels around perimeter of foundation. Each sidewall panel will slightly lap inside of previous panel as shown in Fig. 2.

NOTES: Instructions show assembly proceeding clockwise. If working counterclockwise, ensure proper placement of caulk. Note that drawings below show view from inside of bin.

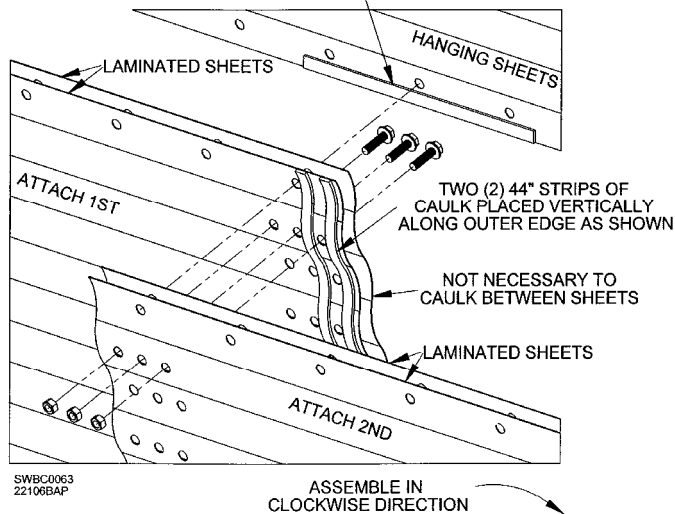
Wipe vertical edge of panel clean and apply 44" strips of caulk as shown in Fig. 3, depending on whether panels will be attached as single sheets or double-laminated. For triple- or quadruple-laminated sheets, apply caulk as shown in Fig. 4. Attach panels as shown in Figs. 3 or 4 using bolts listed on color gauge chart.

Leave all bolts loose to finger-tight until sidewall rings are completely assembled.

CAULK PLACEMENT ON LAMINATED SHEETS

VIEW FROM INSIDE OF BIN

12" STRIP OF CAULK CENTERED HORIZONTALLY ON THE TOP AND BOTTOM OF EVERY VERTICAL SEAM AS SHOWN



CAULK PLACEMENT ON SINGLE SHEETS

VIEW FROM INSIDE OF BIN

12" STRIP OF CAULK CENTERED HORIZONTALLY ON THE TOP AND BOTTOM OF EVERY VERTICAL SEAM AS SHOWN

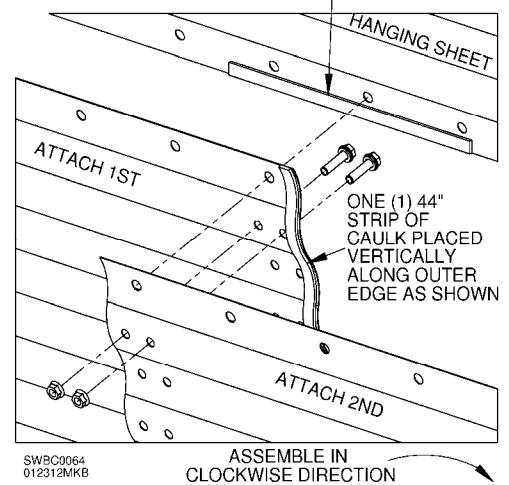


Fig. 3

Triple- & Quadruple-Laminated Sidewall Sheet Splice Plates

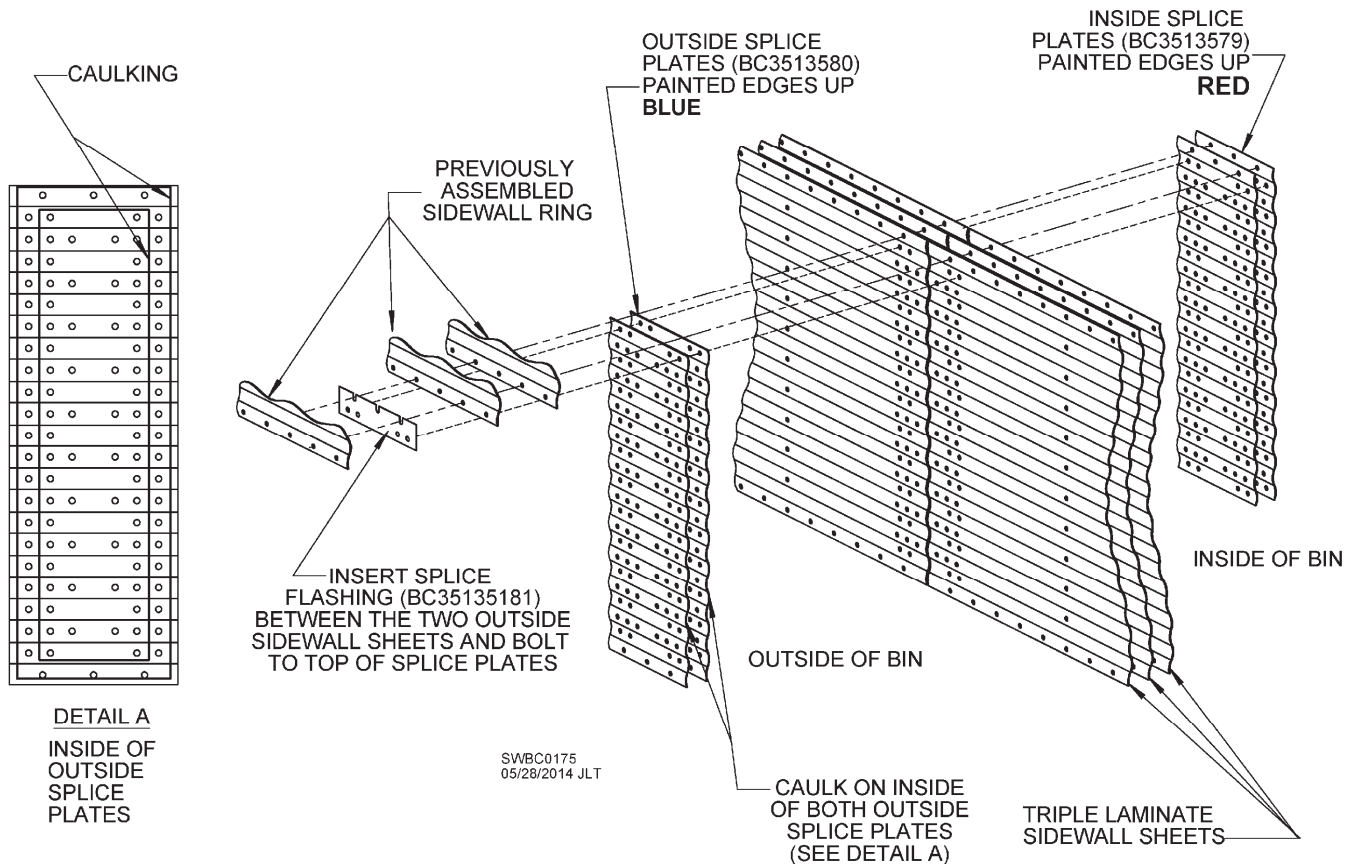


Fig. 4 – Splicing laminated sidewall sheets (Triple-laminate sheets shown)

Triple- and quadruple-laminated sheets hang like single sheets and double-laminated sheets except there is no vertical seam overlap. Sheets butt up against each other. As shown in Fig. 4, two (2) splice plates are used both inside and outside of bin. Inside splice plates are color-coded red, painted on one edge only. **IMPORTANT:** Always keep painted edges up. **NOTE:** Tops of inside splice plates attach at a horizontal seam; tops of outside splice plates attach just below horizontal seam. Attach splice plates after all triple- or quadruple-laminated sheets are hung. Inside splice plates can be assembled after all laminated sheets are hung.

IMPORTANT: Insert splice flashing between two outermost sidewall sheets as shown in Fig. 4.

As shown in Fig. 4 Detail A, apply caulk to perimeter on inside of each outside splice plate. Apply another line of caulk as shown between lines of bolt holes of each outside splice plate. Inside and outside splice plates will be attached with same hardware. Consult color chart for proper size of bolts.

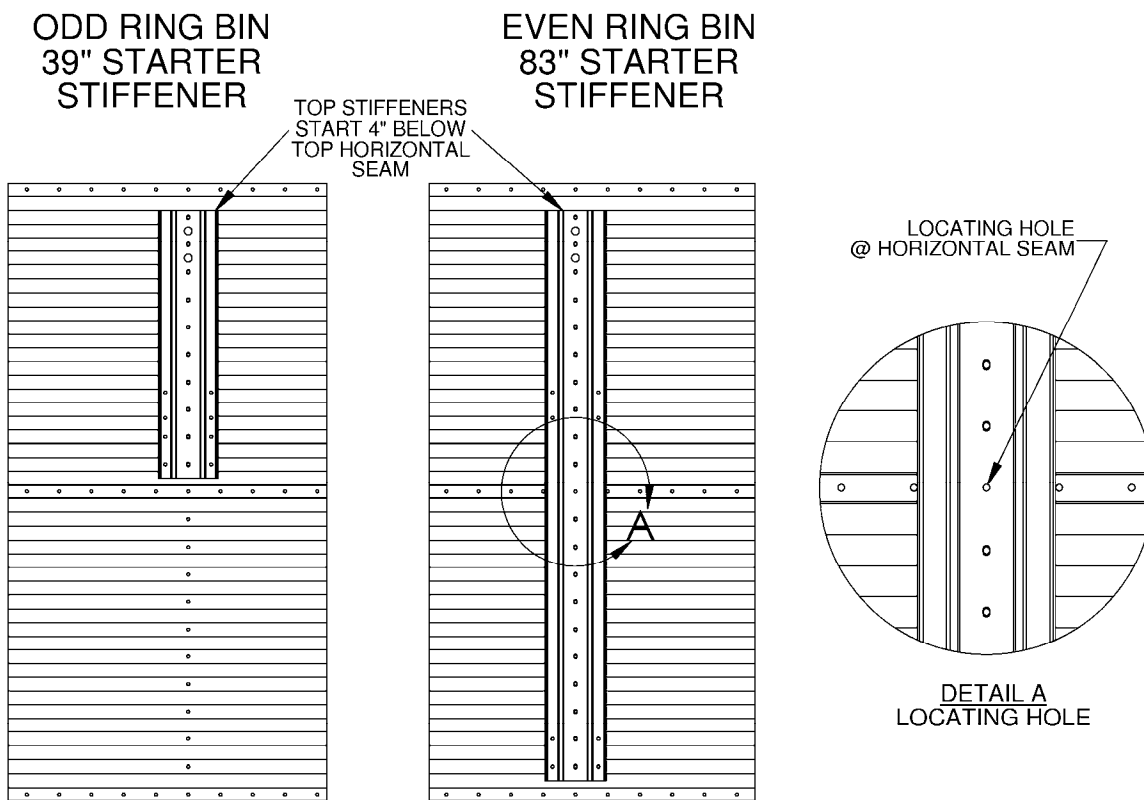
Tighten bolts on ring after all connections have been made.

Align sidewall panels so stiffeners will align with anchor locations. Bins with even number of sidewall rings require two rings and an 83" starter stiffener. Bins with odd number of sidewall rings use 39" starter stiffener and require one ring be assembled.

Attach starter stiffeners to sidewall 4" below top of sidewall sheet as shown in Fig. 5. Use bolts and nuts specified by color chart. Roof rafters will attach at every other stiffener location on bins with two stiffeners per sidewall sheet, and at every third stiffener on bins with three stiffeners per sidewall sheet. For bins up to 105' with even number of rings, 83" stiffeners can be installed after roof is built.

Ensure proper vertical alignment of stiffeners to sidewall by bolting 88" stiffener through hole (not slot) to horizontal sidewall seam. **NOTE:** Sukup logo sign goes in second ring from top.

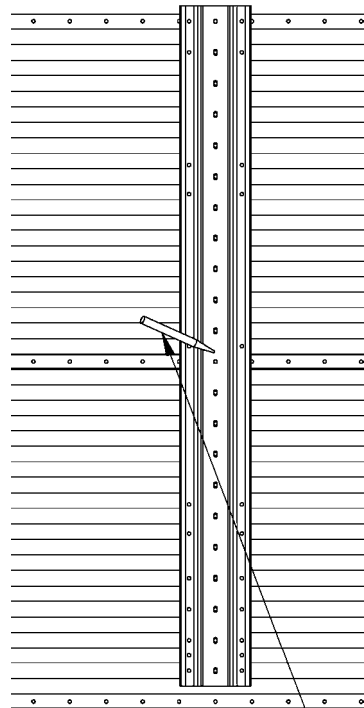
NOTE: Top stiffener on a 135' or 156' dia. bin is always 39" regardless of number of rings. The next stiffener on a 135' or 156' dia. bin **with odd number of rings** is 88". The next stiffener on a 135' or 156' dia. bin **with even number of rings** is 44", followed by 88" stiffeners. See color chart.



SWBC0019
07/19/2007KJZ

Fig. 5

NOTE: Top stiffener position is same for bins with odd or even number of sidewall rings.



SWB00217
2242012MKB

PLACE PUNCH IN CENTER ROUND HOLE IN STIFFENER AND HOLE IN HORIZONTAL SEAM OF BIN SHEETS, THEN PLACE BOLT IN TOP HOLE OF STIFFENER.

Fig. 6

Ensure proper vertical alignment of stiffener by using punch as shown in Fig. 6. Do not allow stiffener to sag or it will make assembly difficult.

Tighten sidewall hardware after each ring is assembled. Tighten stiffener and splice hardware after each set has been attached to sidewall. Using appropriately rated erection jacks, raise bin.

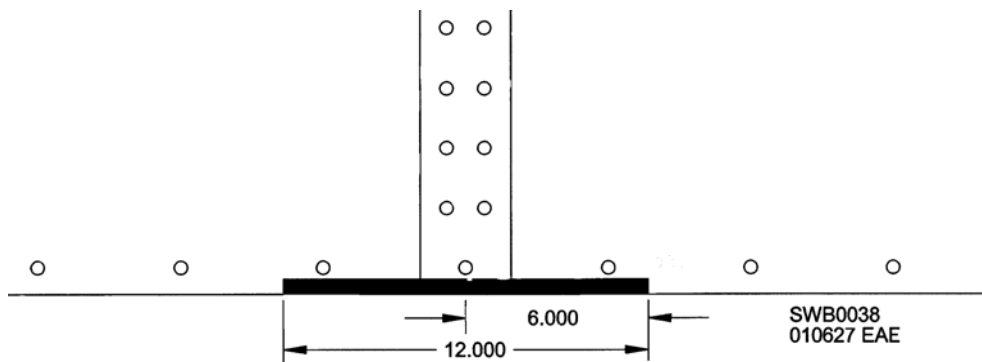
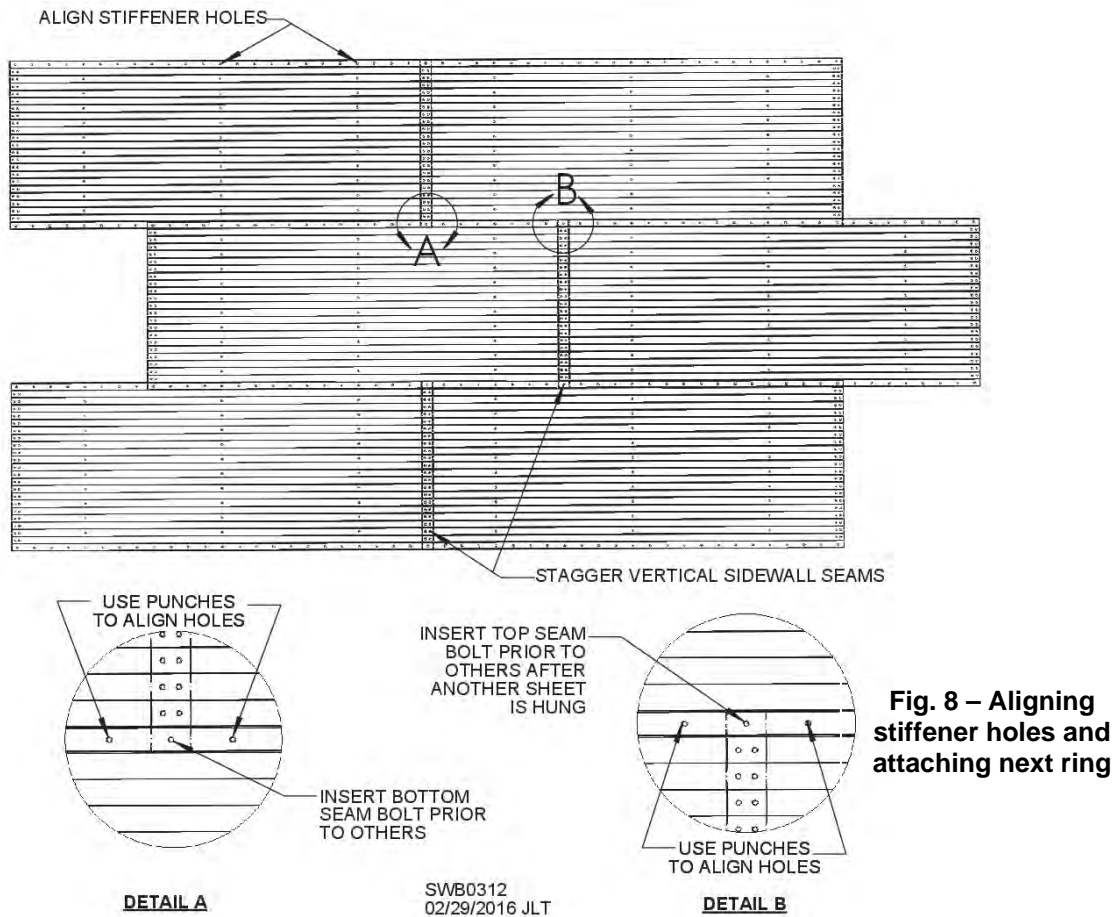


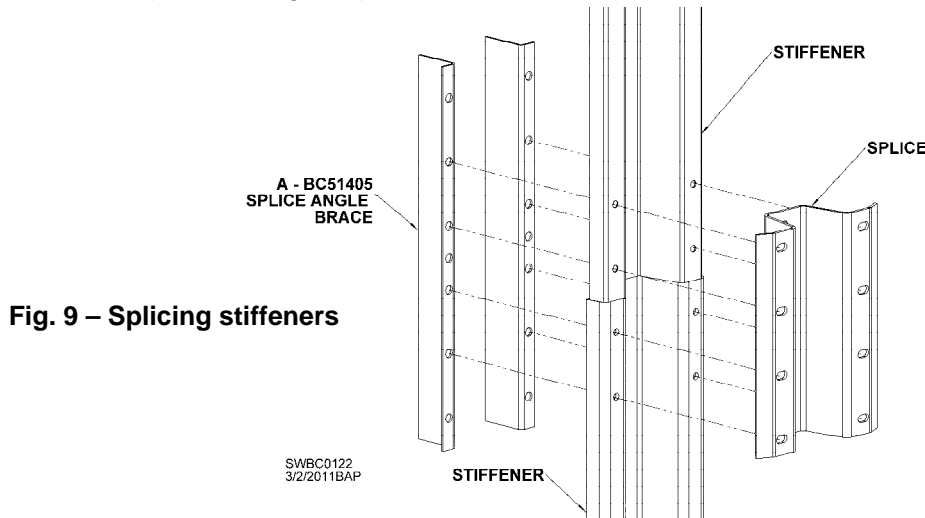
Fig. 7

Clean bottom corners of sidewall sheets and, as shown in Fig. 7, apply caulk 6" in each direction from center of vertical seam.



Attach next ring. Consult color chart for specific location of gauges and bolt sizes. Stagger vertical seams from one ring to next, making sure to line up stiffener holes. See Fig. 8 for alignment on bins with three stiffeners per sheet. When there are two stiffeners per sheet, vertical seams will stagger between stiffeners. Depending on size and diameter of bin, sidewall rings may need to be laminated. See color chart.

NOTE: Sidewall sheets are painted on one edge only, according to color chart. For ease of erection, always hang sheets with painted edges up.



Assemble stiffeners and stiffener splices as shown in Fig. 9. Consult color gauge chart for appropriate schedule of gauges. **NOTE:** Correctly sized bolts must be used in all holes as indicated in color chart unless otherwise specified. If bolts do not fit, holes must be reamed out and positioned accordingly. All bolts must be fastened with correctly sized nuts. Angled brackets are noted on color chart as “A” (Example: 10 I + A). They attach behind stiffener flange at top of specified stiffener inserts. If there is no “A” in splice column on color chart, bin does not require angled brackets. See Fig. 9.

Laminating Commercial Insert Stiffeners

Depending on size and diameter of bin, stiffeners may need to be laminated. Stiffeners will have staggered seams and no splice plates. See Fig. 10. Consult color gauge chart.

Assemble and install wind rings as required. Consult wind ring assembly section for instructions. Consult color gauge chart for location and number of wind rings.

Attach sidedraw chutes as needed. Consult sidedraw assembly section for instructions.

Insert stiffeners are offset to act as splices. Only two (2) pieces can be laminated at a time. NEVER laminate three (3) pieces together.

Stiffeners should always be attached directly to sidewalls. Angled brackets are noted on color chart as "A" (Example: 10 I + A). They attach behind stiffener flange at top of specified stiffener inserts. If there is no "A" in splice column on color chart, bin does not require angled brackets.

Insert assembly requires correctly attaching insert to stiffener using appropriate bolt holes: three (3) pairs above joint overlap; two (2) pairs below; two (2) pairs at bottom of insert; and three (3) pairs spaced between. See Fig. 10.

IMPORTANT: Fill all holes on laminating stiffener flange. Laminating (insert) stiffeners may have wind ring holes at a location that does not require a wind ring. Holes at these locations still need to be filled. Be certain all wind ring, splice and center holes are filled on laminating stiffener flange.

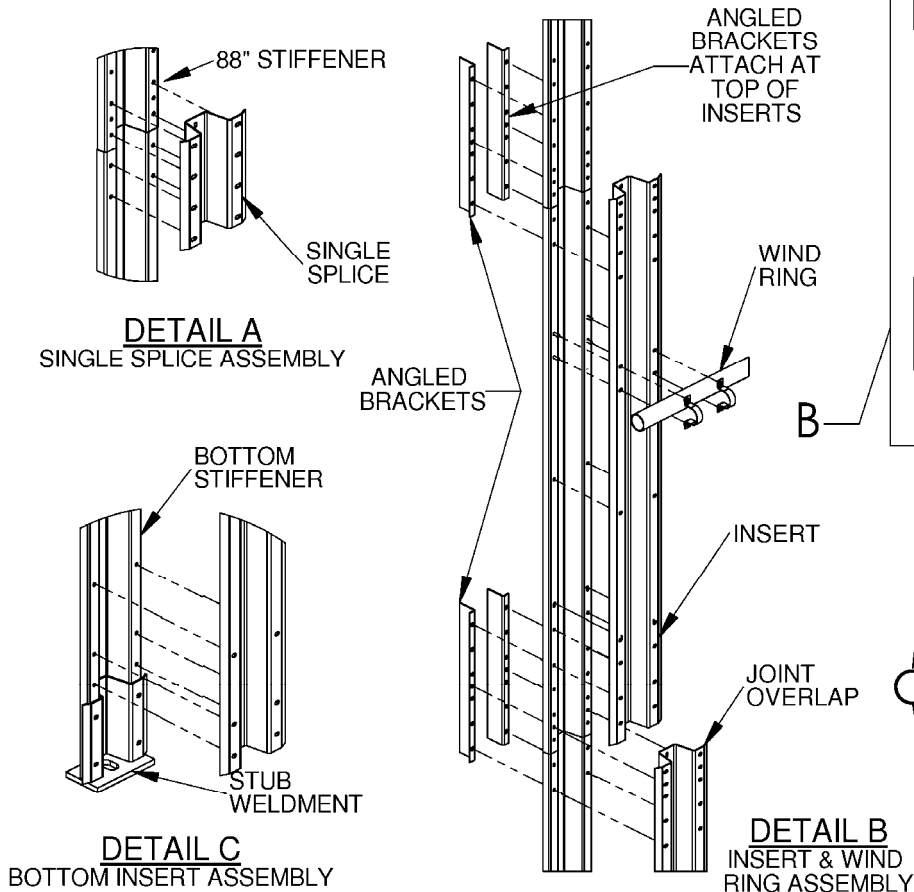
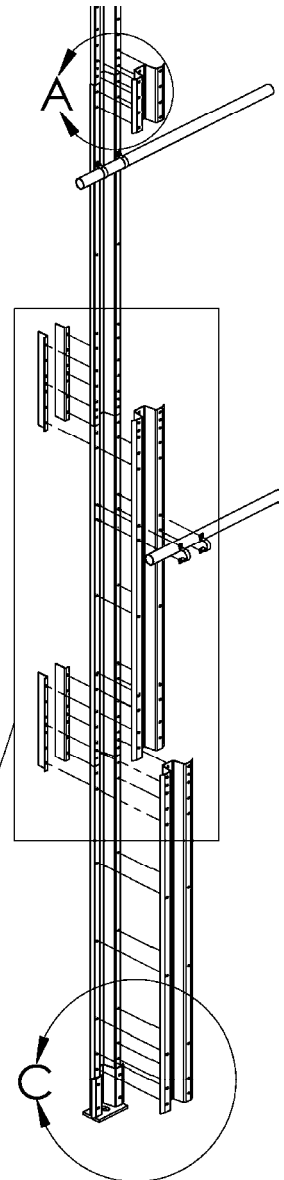


Fig. 10

SWBC0055
2/24/2012 MKB

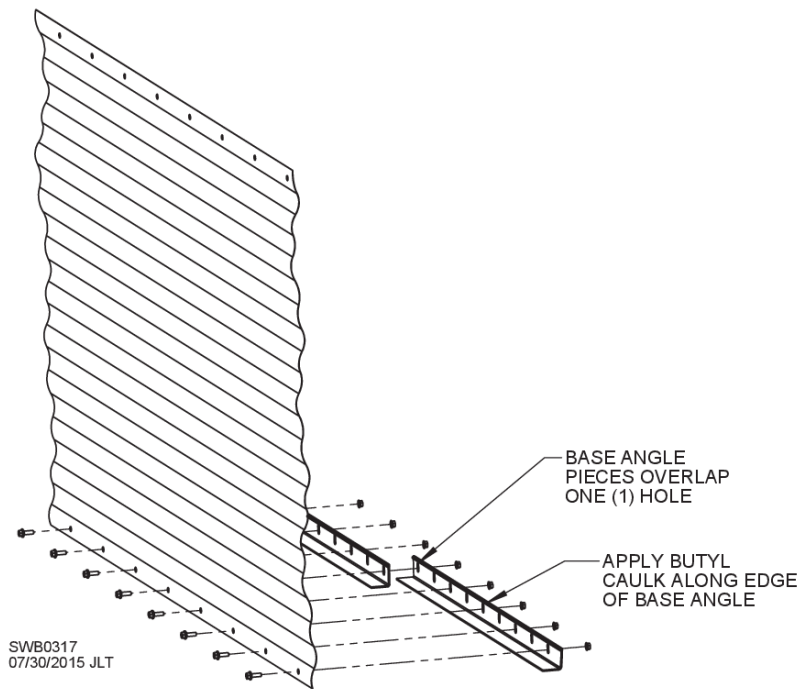


Fig. 11

Apply caulk to bolt-on base angle as shown in Fig. 11 and bolt to bottom of sidewall sheets. **NOTE:** Ensure base angle pieces overlap by one bolt hole.

If foundation sealant is used, apply to bottom of base angle before lowering bin onto concrete or hopper bottom.

NOTE: All weight should be taken off bin jacks before base angle bolts are tightened. Shim gaps between stub weldment and concrete. **IMPORTANT:** Do not force shims. Assemble square washer(s) and anchor nut on anchor bolt and tighten. See chart in Anchor Bolt section of this manual for size and quantity of square or rectangular washers and anchor nuts. See Fig. 12.

Single-Anchor Boot
 69' Dia. and smaller (2 Stiffeners/Sidewall Sheet)
 72' Dia. and larger (3 Stiffeners/Sidewall Sheet)

Double-Anchor Boot
 72' Dia. and larger (2 Stiffeners/Sidewall Sheet)

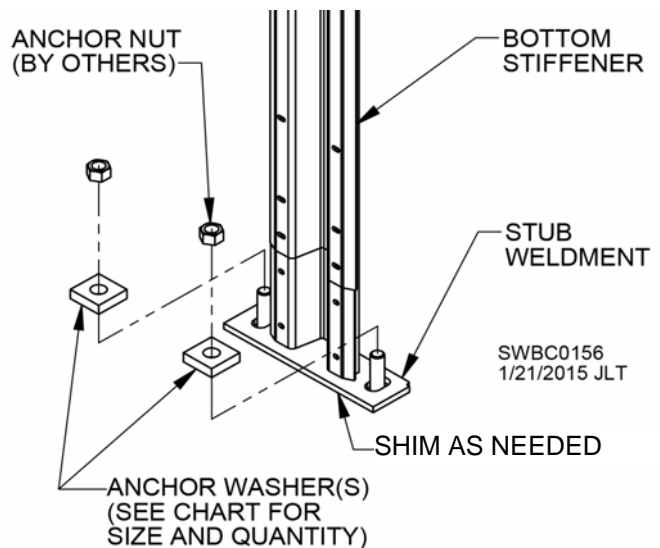
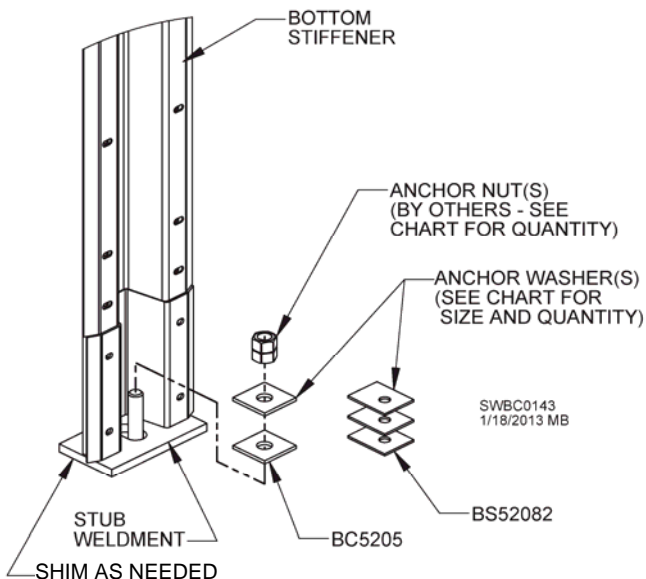


Fig. 12

Reinforcing Sidewall Cutouts

Bin sidewall should be reinforced around any non-supported cutout wider than 13" (e.g., conveyors) using 22" anchor brackets or similar supports. See Fig. 13. Attach base plates to all 22" anchor brackets using two (2) 3/8 x 1" bolts and two (2) 3/8" flange nuts. Attach 22" anchor brackets to sidewall using same size bolts used in vertical seams of sidewall sheets, with a minimum of 3/8" bolt.

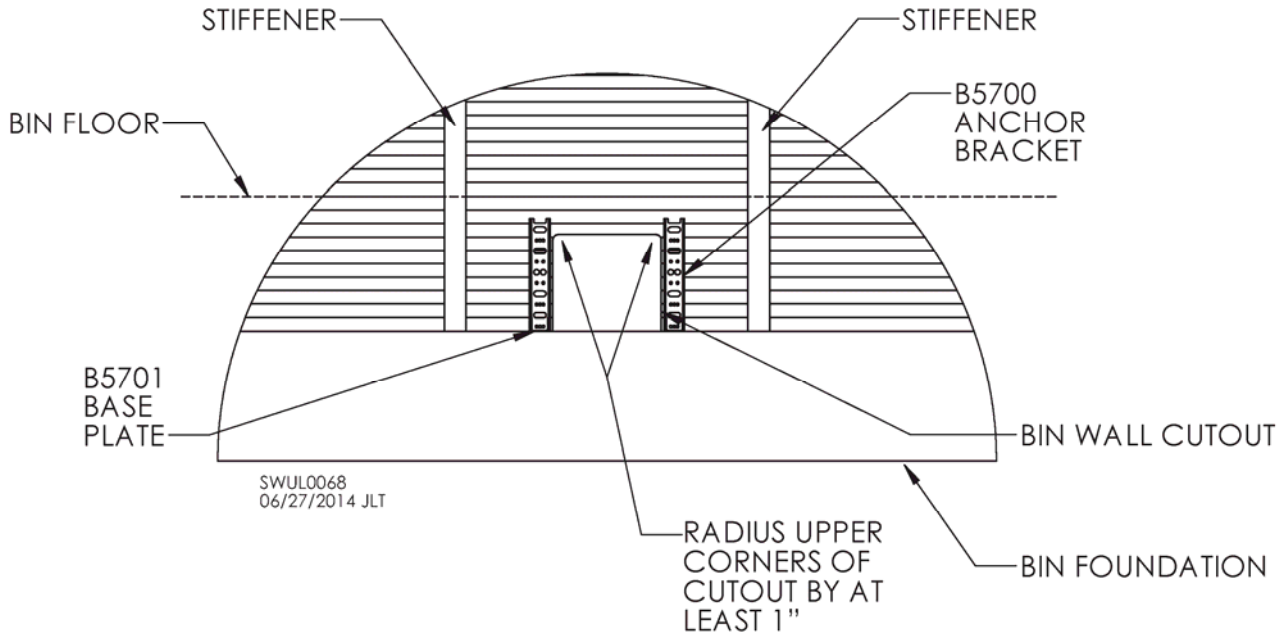


Fig. 13 – 20" cutout reinforced by 22" anchor brackets (B5700) and base plates (B5701)

For any cutout larger than 30" wide it may be necessary to field-weld C-shaped channel pieces together and bolt to sidewall as shown in Fig. 14. Use same size of bolts as used in vertical seams of sidewall sheets, with a minimum of 3/8" bolt.

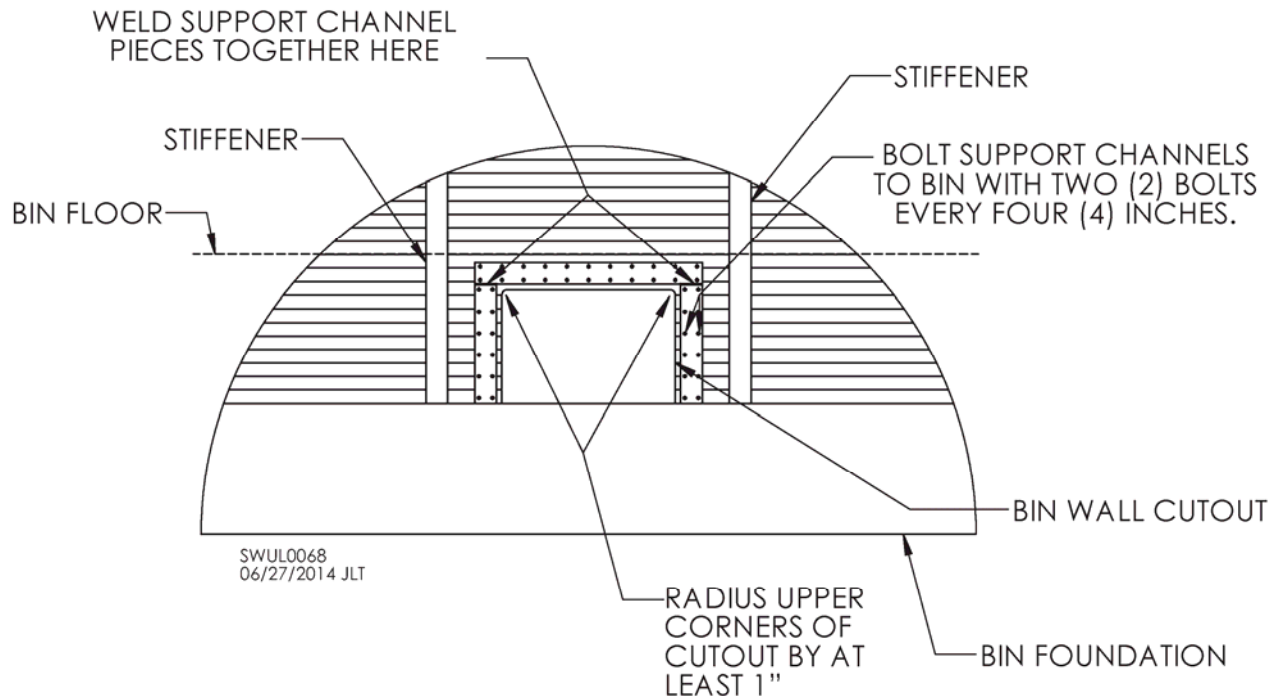


Fig. 14 – 30" cutout reinforced by C-channel

Wind Ring Assembly

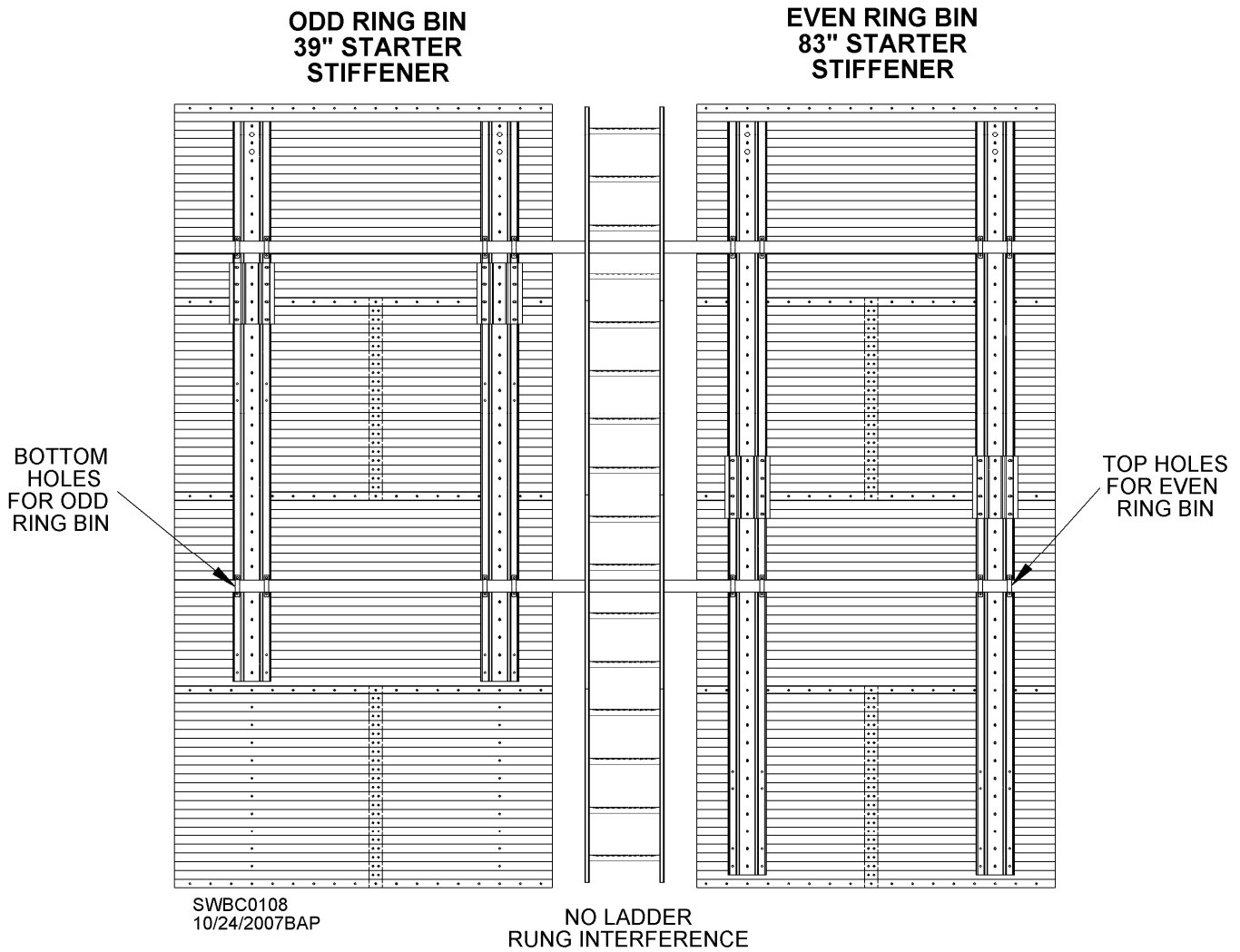


Fig. 1

Consult color/gauge chart located either in manual or with sidewall sheets for number of wind rings necessary for bin. Standard wind ring locations are indicated on chart by an "@" symbol. Additional wind rings needed on bin with a sidedraw are indicated by a "+" symbol.

Top stiffeners, 39" & 83", have only one set of holes for wind ring brackets, located two-thirds from top of top ring. The 88" stiffeners are punched with two sets of holes so that wind ring brackets can be attached in middle of sidewall ring. Use bottom holes on bins with odd number of rings. Use top holes on bins with even number of sidewall rings. See Fig. 1.

Unless otherwise stated on color chart, wind rings are located in top ring, third ring, fifth ring and so on (every other ring starting at top). These wind ring locations meet ASAE Standard S412.1 which leaves at least 1-1/2" below the rung and 4-1/2" above the rung where an obstruction (wind ring) is located.

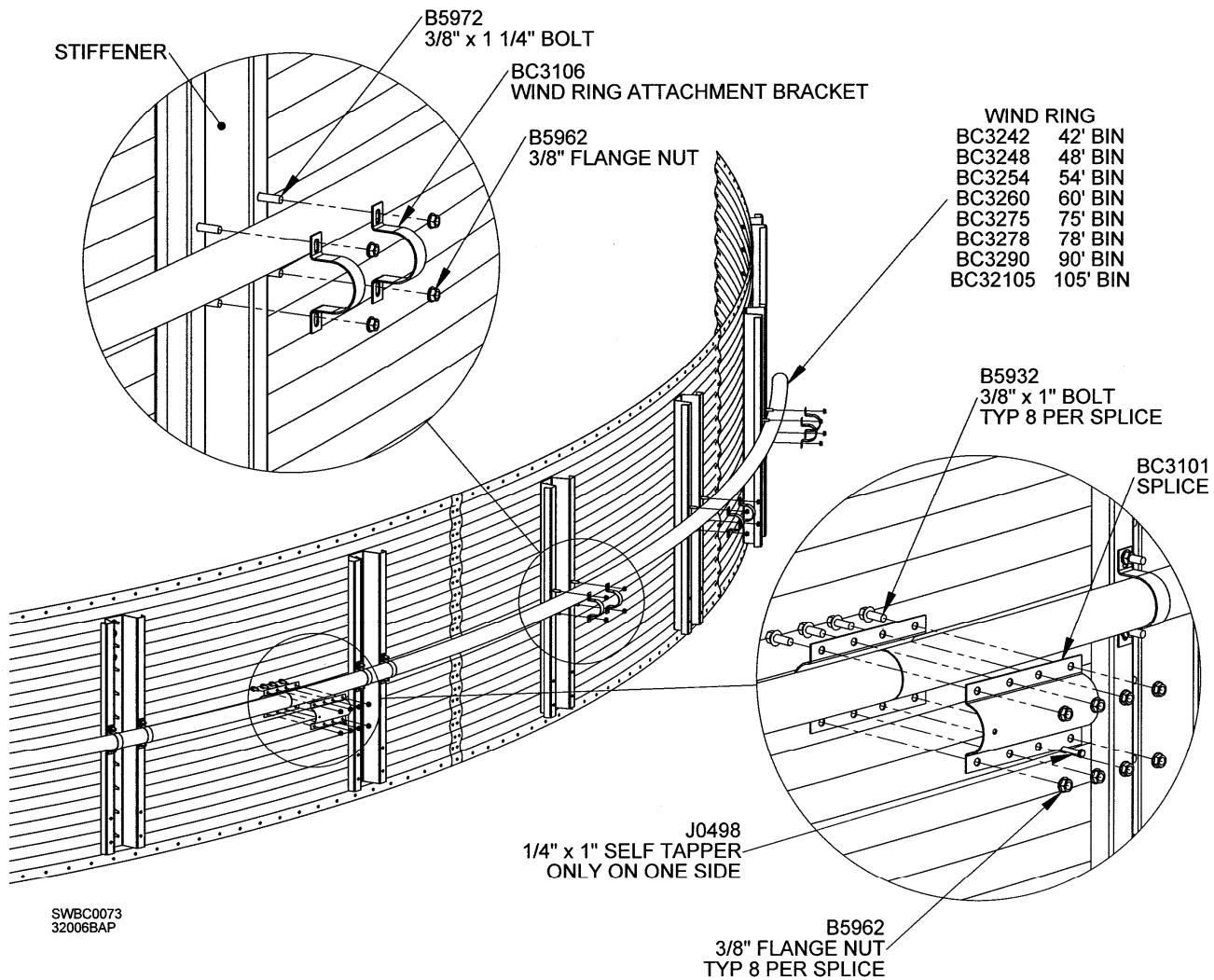


Fig. 2

Loosely attach two wind ring brackets (BC3106) to each stiffener as shown in Fig. 2 using 3/8 x 1-1/4" bolts (B5972) and 3/8" flange nuts (B5962). Insert wind ring sections through brackets.

Butt wind ring sections against each other as shown in Fig. 2. Position splice clamps (BC3101) over ends of wind ring sections. Attach clamps with 3/8 x 1" bolts (B5932) and 3/8" flange nuts (B5962), leaving bolts loose to finger tight. **IMPORTANT:** Splices must be located between stiffeners. Staggering of splices is recommended.

Total length of wind ring sections will be too long for circumference of bin. Last section will need to be cut to butt against first section assembled. Final wind ring section should span at least two sidewall stiffeners.

NOTE: Some wind ring assemblies require that a trimmed piece from a previously assembled ring be used. All leftover sections that are longer than 9' should be saved for possible future use.

Once all wind ring sections have been fastened to stiffeners and spliced, tighten hardware.

Further secure each splice to wind ring using 1/4 x 1" self-drilling screw (J0498) as shown in Fig. 2.

Farm Duty Doors Section

44" & 66" Sidewall Door Installation (D, W, & W1)

NOTE: Use 3/8 x 1" bin bolts for all doors.

1. Remove inner door panels from frame.
2. Determine top of frame from bottom. Bottom of frame has sloped sill to direct rain away from inner panel.
3. Apply double row of rope caulk to frame flanges. Top flange will receive caulk on outside of flange. Side and bottom flanges will receive caulk on inside, or backside, of flange. See Fig. 1.

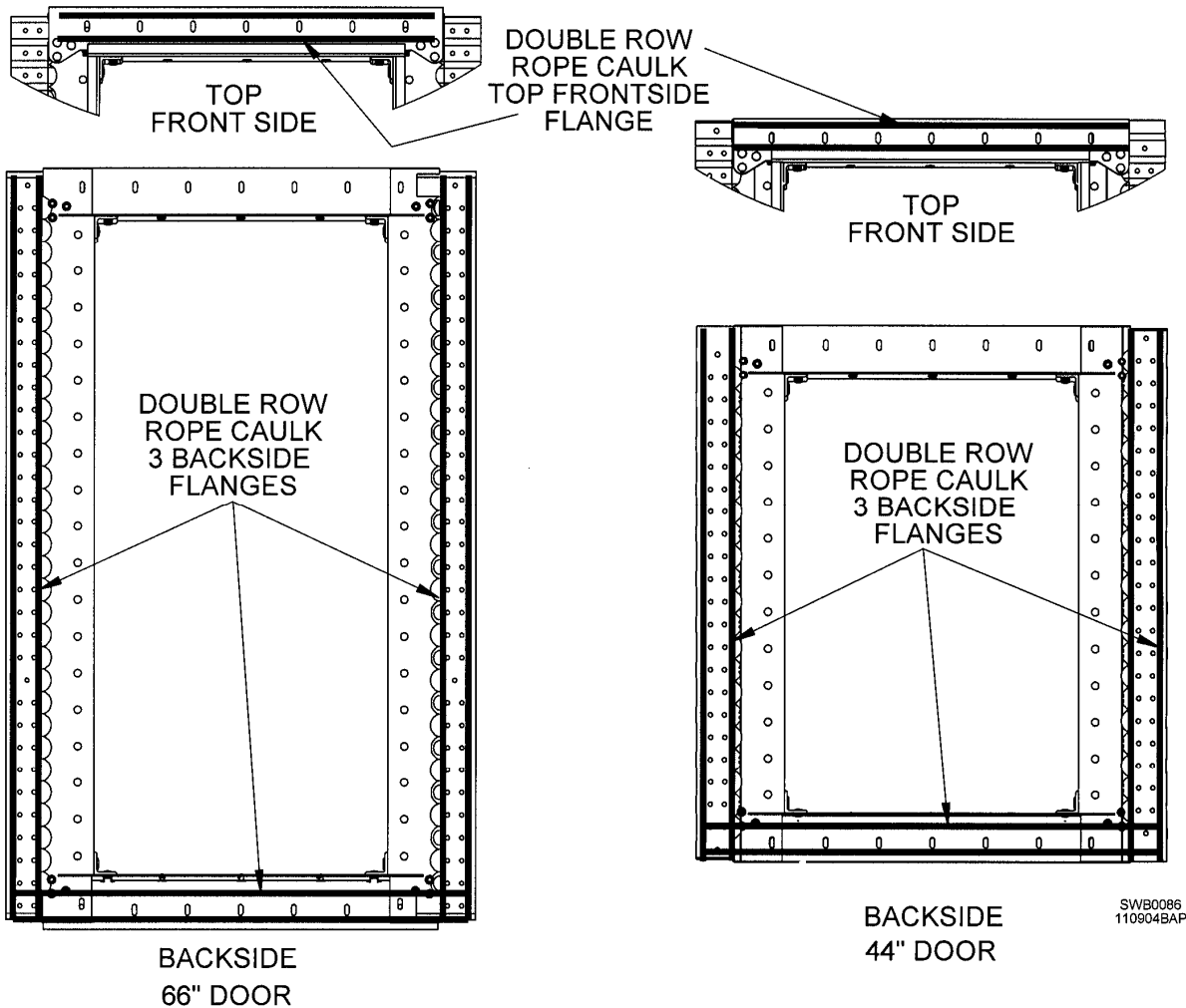


Fig. 1

4. Place door frame into door opening. Top flange of frame will mount inside of sidewall. Side and bottom flanges will mount outside of sidewall panels. Insert 3/8 x 1" bin bolts from outside of bin, leaving nuts loose. Leave bolts out of door hinge support locations. See next page.

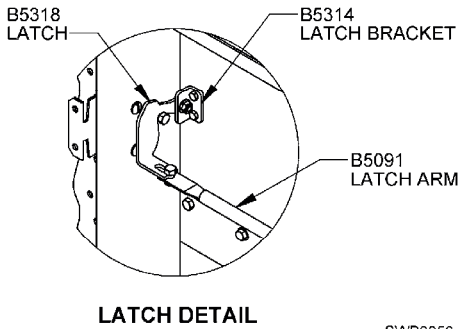
NOTE: Second sidewall ring from bottom will have short panels, one on each side of door. 44" door will overlap bottom ring. 66" door overlaps cutout in bottom ring.

5. Place door panels back into door frame and lock hammer-head latches. See Fig. 2.

6. Tighten door frame bolts in sequence shown in Fig. 2. Complete by working around door frame until all bolts are tightened. No particular sequence is required for rest of bolts.

BOLT TIGHTENING SEQUENCE
DOOR PANELS MUST BE CLOSED
OVER PEGS BEFORE TIGHTENING

1. TIGHTEN FOUR BOLTS ON HORIZONTAL SIDEWALL SEAMS.
2. TIGHTEN BOLTS WHERE TOP TWO DOOR PANELS MEET.
3. TIGHTEN REMAINING BOLTS UNIFORMLY AROUND DOOR.



SWB0056
09/29/2014 JLT

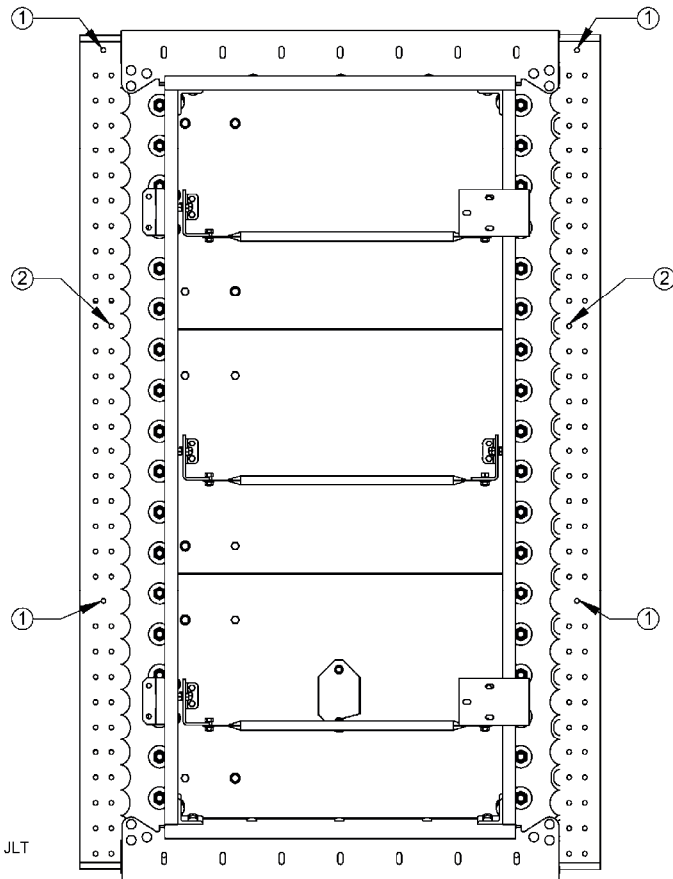
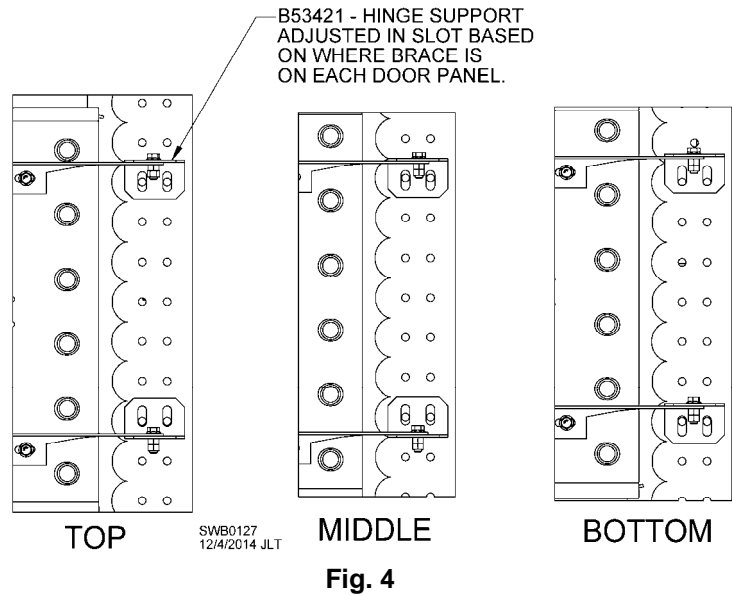
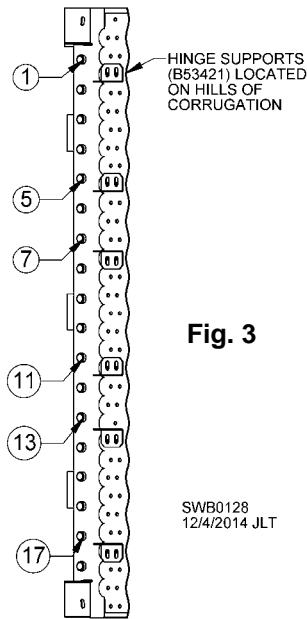


Fig. 2

7. Loosely bolt hinge support pieces (B53421) to bin wall and door frame as shown in Fig. 3. Hinge support pieces are shown in relation to door pegs.

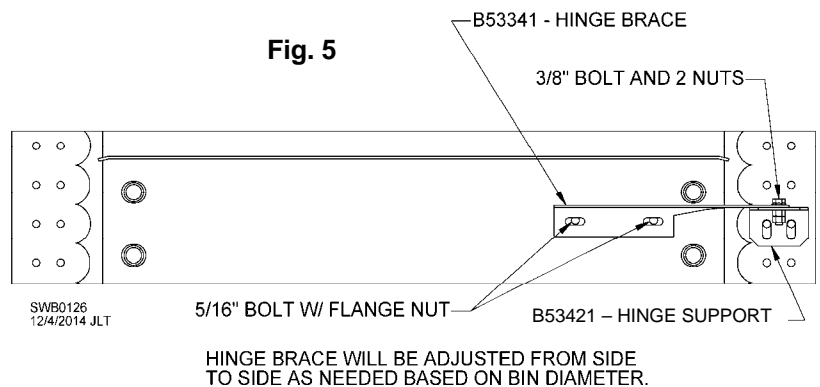


8. Slide hinge supports up until they touch hinge braces (B53341). Fig. 4 shows how some bolts are below and others are above hinge braces.

9. Loosen 5/16" bolts and slide hinge braces over until hinge holes line up with holes in hinge supports. See Fig. 5. Insert a 3/8" bolt through each hole and turn nut on loosely.

10. Tighten nuts connecting hinge braces to door and hinge supports to door frame.

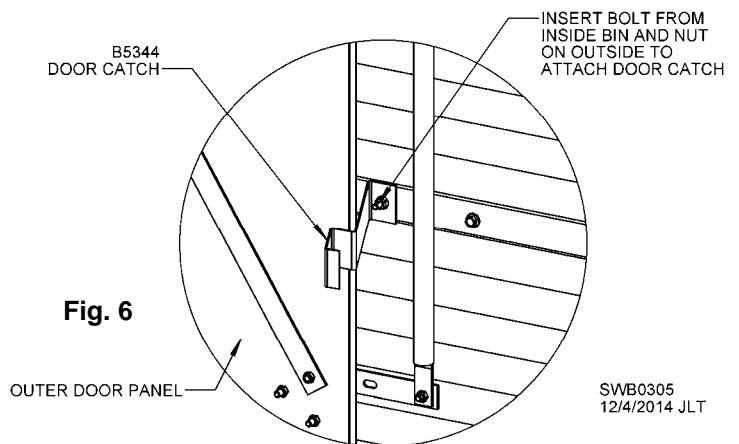
11. Turn 3/8" nuts all the way onto hinge bolts, then back them off 1/2 to 3/4 turn. Place a second 3/8" nut onto each 3/8" bolt to lock them into place. See Fig. 5. Double-check door panels to ensure 3/8" bolts are not too tight and door panels can open freely.



12. Install outer door panel with hinges in desired direction. Adjust hinges and latches as needed.

13. Install door catch. See Fig. 6. Remove and use existing bolt for catch mounting, or field-drill hole into bin sidewall if an existing bolt is not in correct spot.

14. Attach doorstep below door. It may be possible to align some bolt holes with those in bin sidewall. If not, field-drill four (4) mounting holes. Use 5/16" x 1" bin bolts and 5/16" nuts to attach doorstep to bin.



Commercial Doors Section

26" x 28" Door (N)

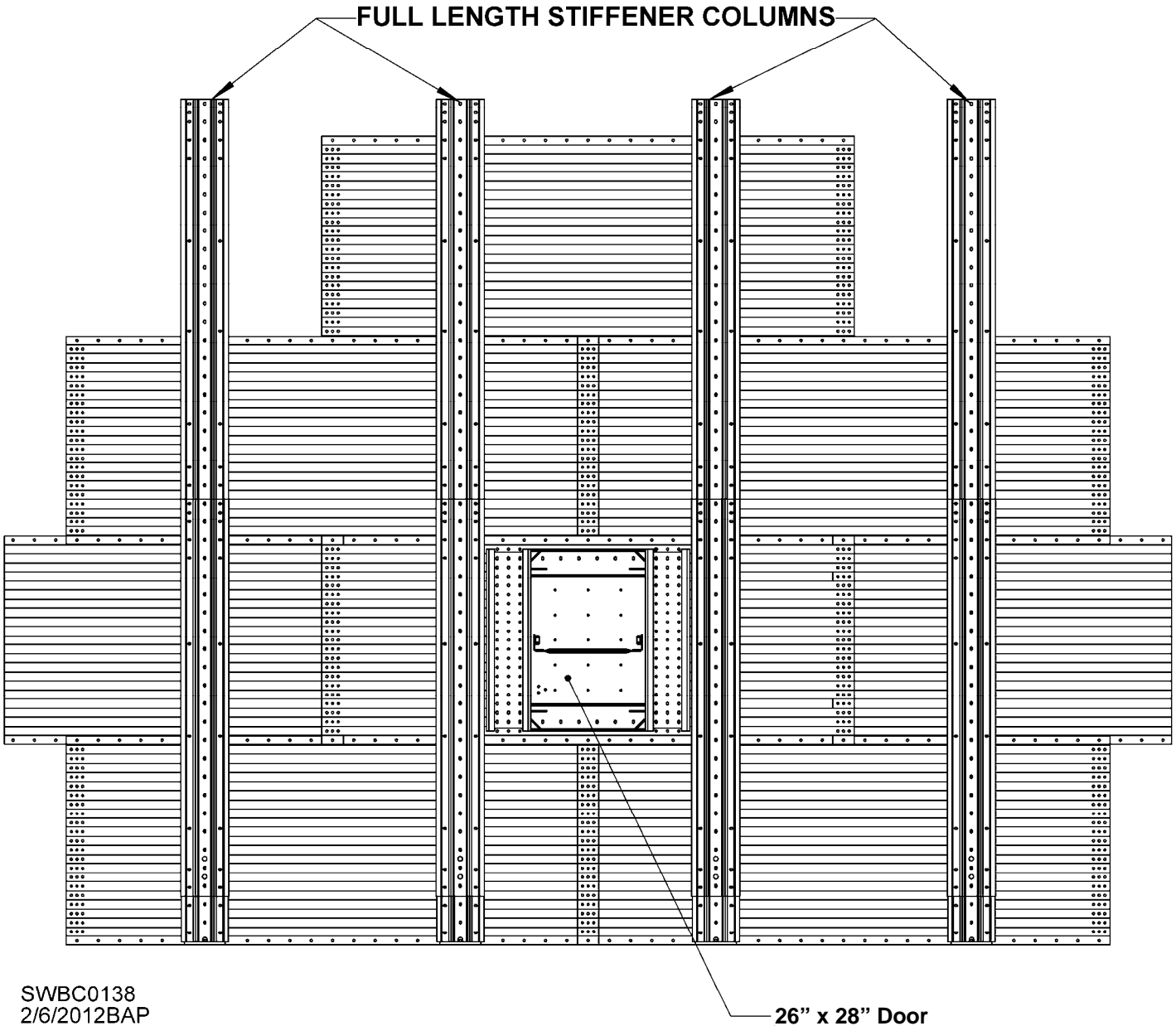
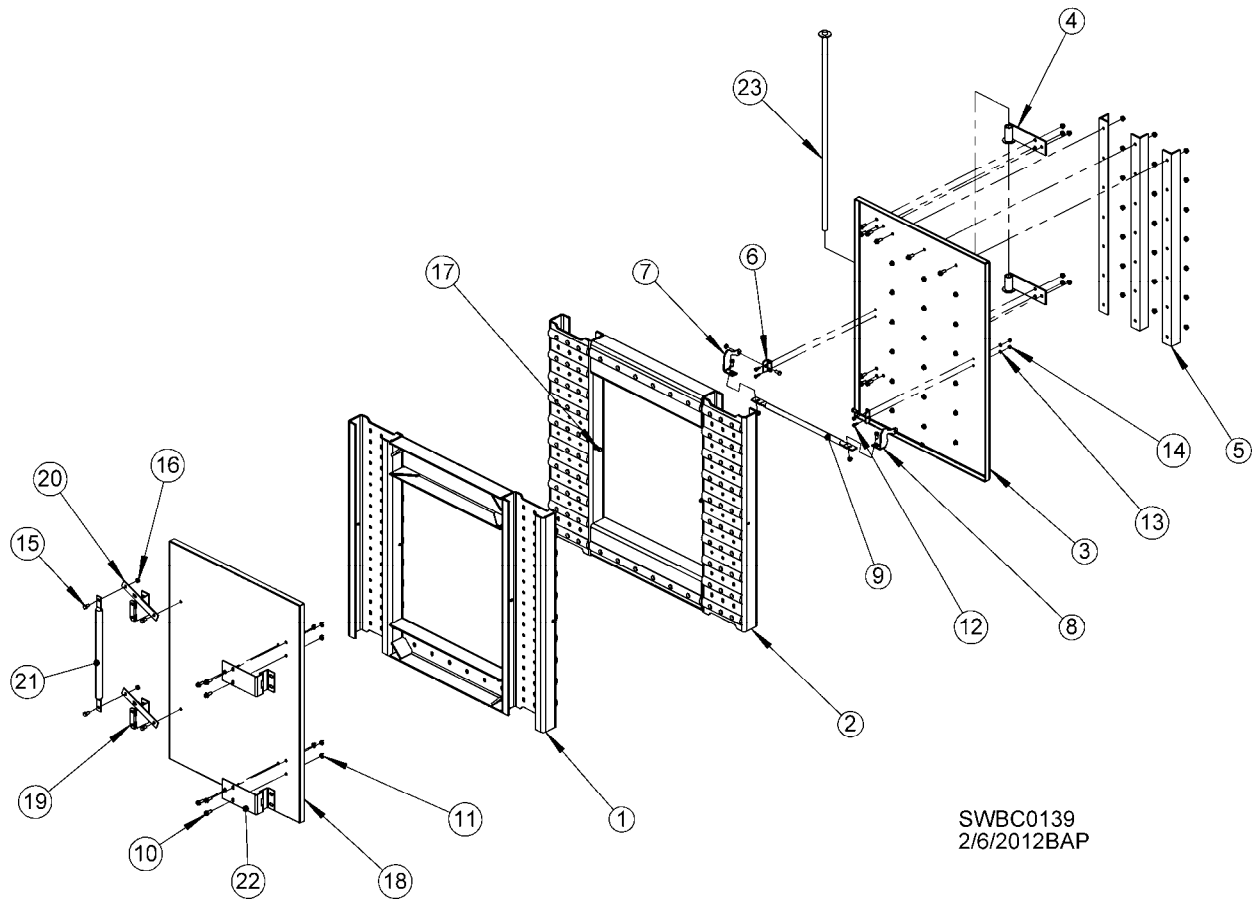


Fig. 1

Fig. 1 shows 26" x 28" Commercial Door fully assembled. Note that door assembly is centered between two stiffeners. Sidewall sheet for door will have square opening and bolt holes for attachment of door frame.

IMPORTANT: Fill all holes in sidewall sheet above and below vertical members of frame.

26" x 28" Commercial Door Components, Installation



SWBC0139
2/6/2012BAP

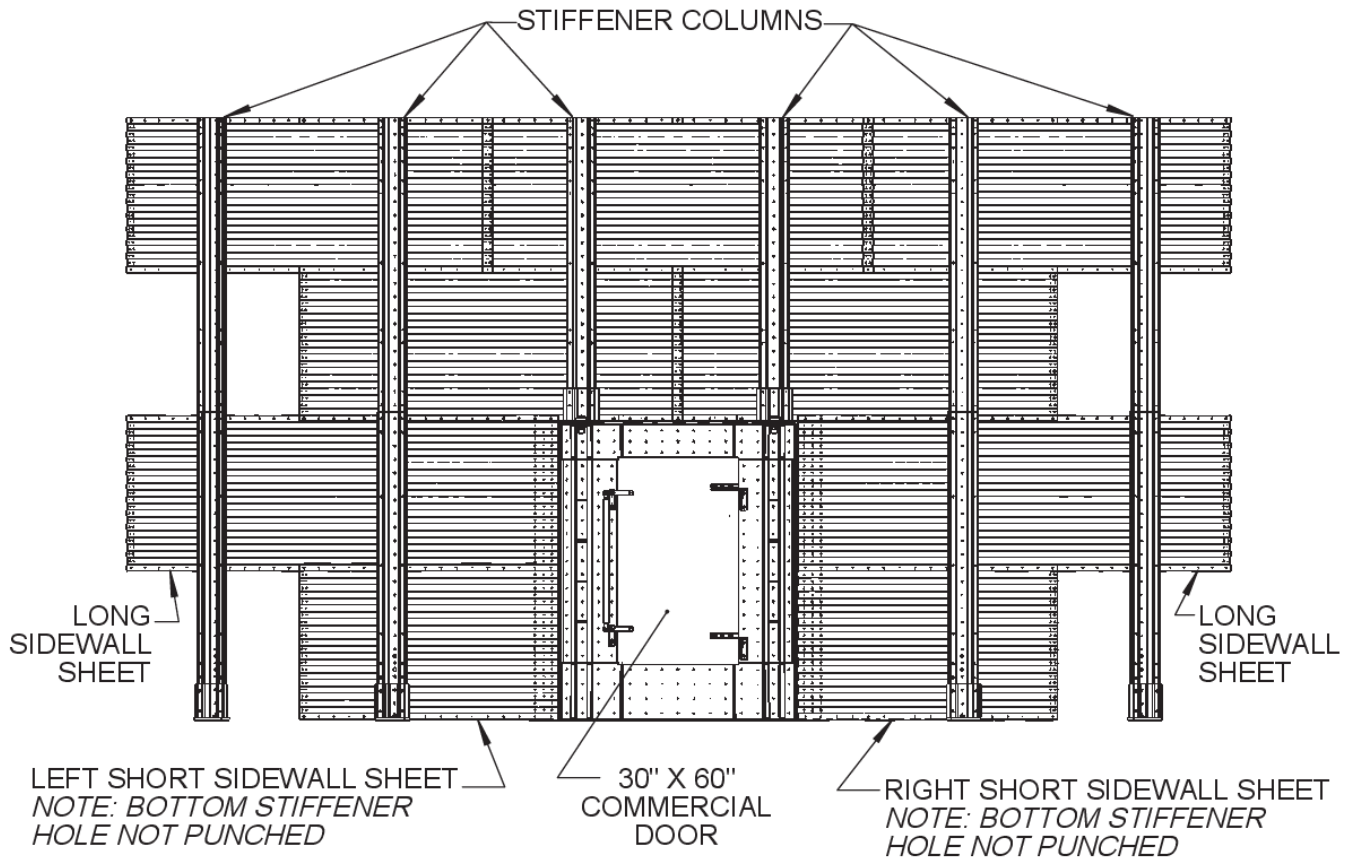
Fig. 2 & Table 1

ITEM #	DESCRIPTION	COMP. #	QTY.	ITEM #	DESCRIPTION	COMP. #	QTY.
1	Outer door frame	BC5501	1	13	Lock washer, 1/4"	J1195	4
2	Inner door frame	BC5502	1	14	Hex nut, 1/4"	J0990	4
3	Inner door	BC5503	1	15	Screw, 3/8 – 16 x 3/4"	J0605	8
4	Inner door hinge	BC5504	2	16	Lock nut, 3/8"	J1025	6
5	Angle brace, 36"	BC5508	3	17	Screw, 3/8 – 16 x 1-3/4"	J0645	2
6	Hanger bracket	B5314	2	18	Outer door	BC5505	1
7	Door latch, left	B5318	1	19	Door lock catch	BC5506	2
8	Door latch, right	B5319	1	20	Door handle bar	BC5507	2
9	Inner door handle	BC5509	1	21	Door handle	B5356-03	1
10	Bolt, 3/8 – 16 x 1"	B5932	33	22	Outside door hinge	BC5510	2
11	Flange nut, 3/8"	B5962	39	23	Inside door hinge	BC5511	1
12	Bolt, 1/4 – 20 x 3/4"	J0505	4				

Fig. 2 and Table 1 show components of 26" x 28" Commercial Door. Note differences between outer and inner door frames (Items 1 & 2). Outer frame has half-moons welded to it to match outside corrugation. Inner frame has half-moons welded to it to match inside corrugation and inside door panel hinges. If looking at inside door frame from inside of bin, hinges must be on right-hand side. Frames bolt to sidewall sheets using 7/16" hardware.

After inside and outside frames are assembled, attach inner door panel assembly with hinge to inside door frame. Attach outer door assembly to outside door frame.

30" x 60" Commercial Door (W2)



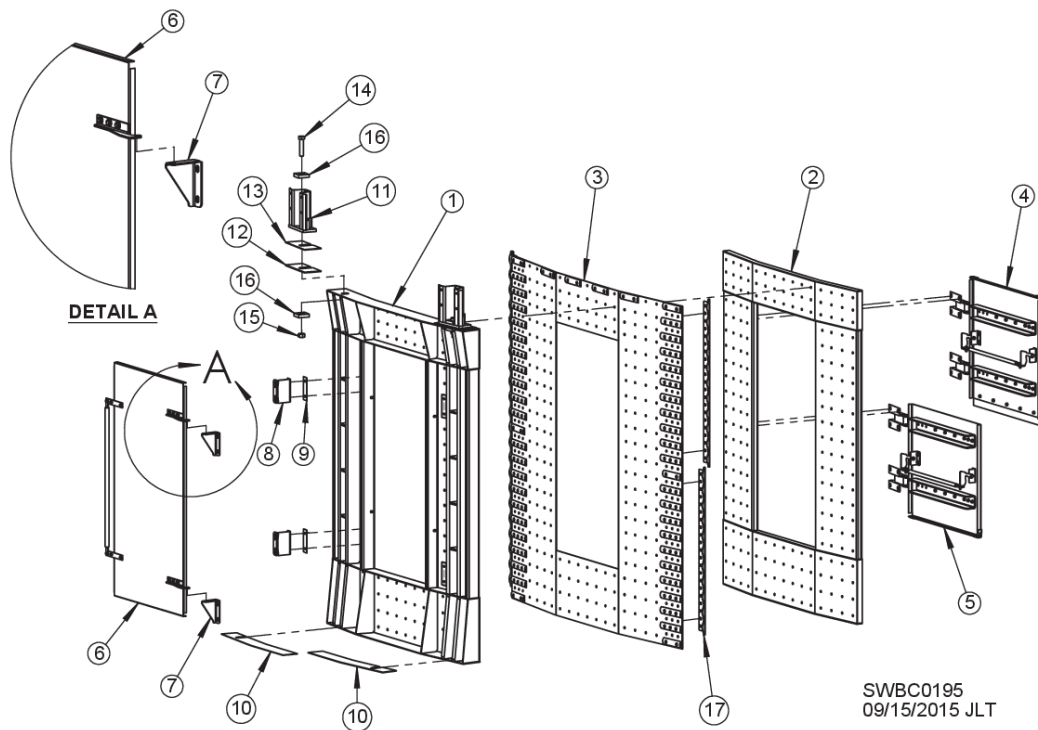
SWBC0194
09/14/2015 JLT

Fig. 3

Fig. 3 shows fully assembled 30" x 60" Commercial Walk-Thru Door.

See Fig. 4 and Table 2 for component identification.

30" x 60" Commercial Door Components, Installation



ITEM #	DESCRIPTION	COMP. #	QTY.
1	Outer door frame	BCD5410	1
2	Inner door frame	BCD5420	1
3	Clamped door sheet	BCD5428	1
4	Inner door assy., top	BCD5430	1
5	Inner door assy., bottom	BCD5435	1
6	Outer door assy.	BCD5440	1
7	Outer door hinge bracket	BCD5444	2
8	Outer door catch	BCD5445	2
9	Hinge bracket shim	BCD5446	4
10	Door frame shim	BCD5404	2
11	Stiffener boot	BCD6144	2
12	Stiffener shim, 7ga	BC52507	2
13	Stiffener shim, 11ga	BC5250	2
14	Screw, 1 - 8 x 4-1/2"	J0913	2
15	Hex nut, 1"	J1060	2
16	Square washer, 3 x 3/4"	BC52062	4
17	Corrugated end plate	BCD5015	4

Fig. 4 & Table 2

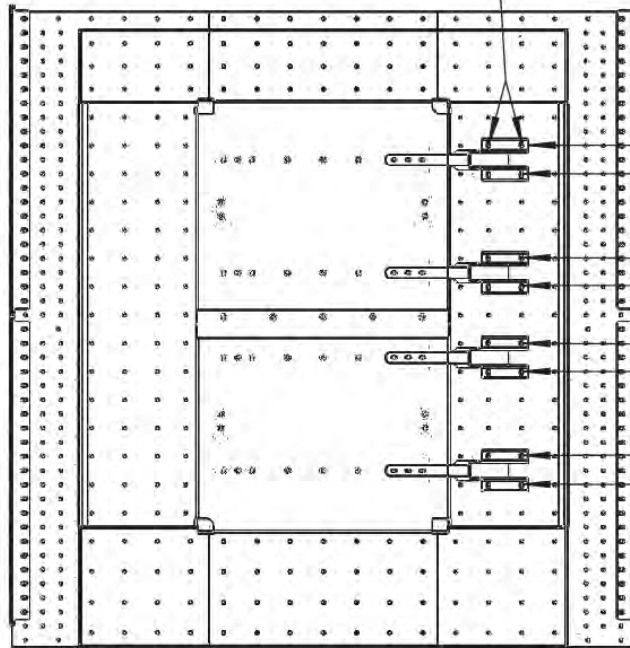
Fig. 4 and Table 2 show components of 30" x 60" Commercial Door. Clamped door sheet (Item 3) needs to be installed on inside of bin first. Clamped sheet has half-moons welded onto it to match inside corrugations. Attach clamped sheet using same hardware as used on sidewall ring to which it is attached. See color chart. **NOTE:** Leave out outside column of bolts until attachment of corrugated end plates (Item 17).

Bolt corrugated end plates to outside edges of clamped door sheet (Item 3). Attach outer and inner frames (Items 1 & 2) to clamped door sheet. Frames use 7/16" hardware. Insert door frame shims (Item 10) as needed.

Attach inner door assemblies (Items 4 & 5) to inner door frame as shown in Fig. 5 on next page. Attach outer door assembly (Item 6) and door catches (Item 8) to outer door frame. Use hinge bracket shims (BCD5446) as needed under outer door hinge bracket (Item 7) so outer door will close and latch properly.

Attach stiffener boots (Item 11) to outer frame with 1" bolts, square washers, 1" nuts and shims (Items 12 and 13) as needed.

ATTACH HINGE BRACKETS TO CENTER
TWO (2) VERTICAL COLUMNS OF BOLTS
ON SIDE DOOR FRAME



NOTE BOLT ROW &
FLANGE DIRECTION
FOR HINGE BRACKETS
LISTED BELOW:

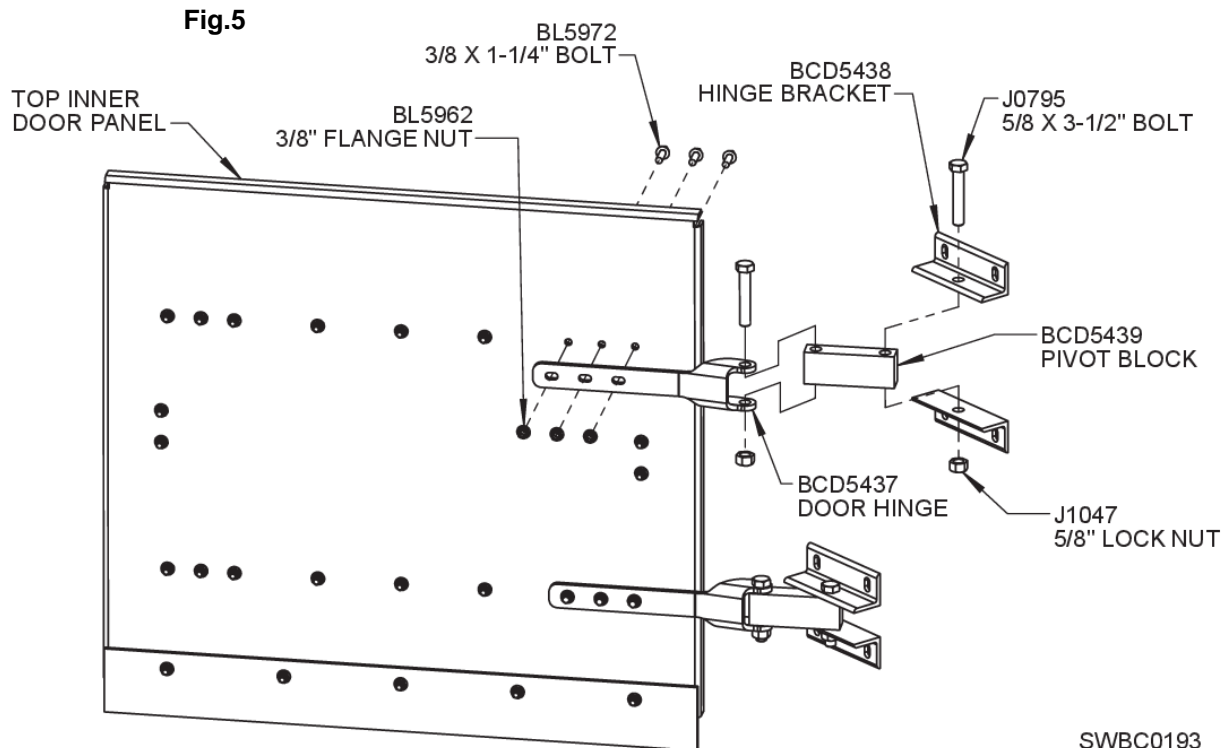
2ND ROW - FLANGE DOWN
3RD ROW - FLANGE UP

6TH ROW - FLANGE DOWN
7TH ROW - FLANGE UP

9TH ROW - FLANGE DOWN
10TH ROW - FLANGE UP

13TH ROW - FLANGE DOWN
14TH ROW - FLANGE UP

NOTE: DOOR PANELS WILL COME SET UP TO MOUNT HINGES ON RIGHT SIDE OF DOOR FRAME.
HOWEVER, PARTS ARE REVERSIBLE AND CAN BE SWITCHED TO LEFT SIDE IF DESIRED.



NOTE: ALL HINGE HARDWARE CAN BE FOUND IN **BCD5405** PACKAGE BOX

SWBC0193
09/15/2015 JLT

Commercial Walk-Thru Door (U)

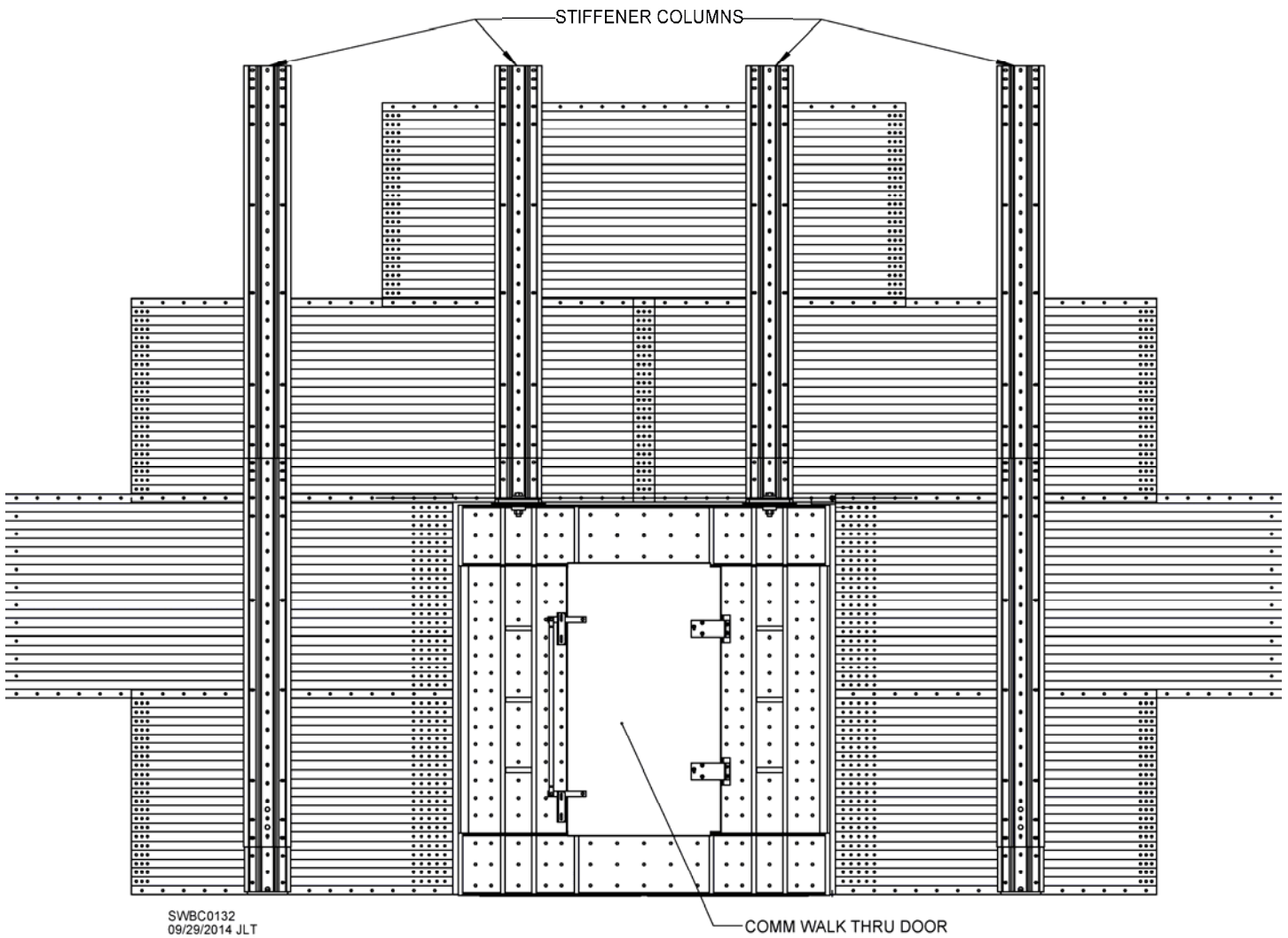


Fig. 6

Fig. 6 shows fully assembled Commercial Walk-Thru Door.

Depending on size of bin, door will have one frame or two. See Fig. 7 and Table 3 for identification of components used to install one-frame door in bin from 48' to 78' dia. See Fig. 8 and Table 4 for identification of components used to install two-frame door in bin from 75' to 105' dia.

Commercial Walk-Thru Door for 48' to 78' dia. bin, Components, Installation

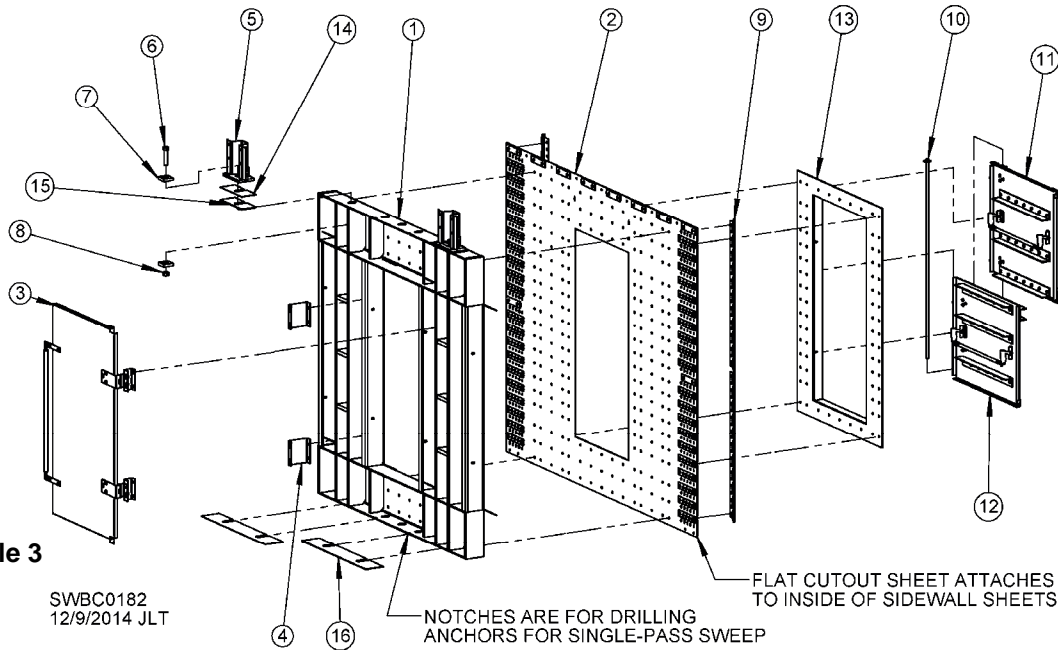


Fig. 7 & Table 3

SWBC0182
12/9/2014 JLT

ITEM #	DESCRIPTION	COMP. #	QTY.	BIN DIA.
1	Outside frame	BCD5075	1	48-78
2	Flat cut-out weldment	BCD5051W	1	48-60
		BCD5052W		72-78
3	Outside door assembly	BCD5080	1	48-78
4	Lock catch	BCD5082	2	48-78
5	Stiffener boot	BCD5022	2	48-78
6	Screw, 1 - 8 x 4-1/2"	J0913	2	48-78
7	Square washer, 3 x 3/4"	BC52062	4	48-78
8	Hex nut, 1"	J1060	2	48-78
9	Corrugated end plate	BCD5015	4	48-78
10	Inside door hinge	BCD5025	1	48-78
11	Inner door assembly, top	BCD5035	1	48-78
12	Inner door assembly, bottom	BCD5037	1	48-78
		BCD5037P		
13	Inside frame	BCD5140	1	48-78*
		BCD5140P		
14	Stiffener shim, 11ga	BC5250	2	48-78
15	Stiffener shim, 7ga	BC52507	2	48-78
16	Frame shim	BCD5046	6	48-78

*72' to 78', 9-15 ring bin

**Plenum-punched bins

Fig. 7 and Table 3 show components of Commercial Walk-Thru Door for 48' to 78' dia. bins. Flat cutout sheet (Item 2) needs to be installed on inside of bin first. Flat sheet has half-moons welded onto it to match inside corrugations. Attach flat cutout sheet using same hardware as used on sidewall ring to which it is attached. See color chart. **NOTE:** Leave out outside column of bolts until attachment of corrugated end plates (Item 9).

Bolt corrugated end plates to outside edges of flat cutout sheet (Item 2). Attach outside and inside frames (Items 1 & 13) to flat cutout sheet. Frames use 1/2" hardware. Insert door frame shims (Item 16) as needed.

Use hinge pin weldment (Item 10) to attach inner door assemblies (Items 11 & 12) to inside door frame. Attach outer door assembly (Item 3) and door catches (Item 4) to outside door frame.

Attach stiffener boots (Item 5) to outside frame with 1" bolts, square washers, 1" nuts, and shims (Items 14 and 15) as needed.

Commercial Walk-Thru Door for 72' to 105' dia. bin, Components, Installation

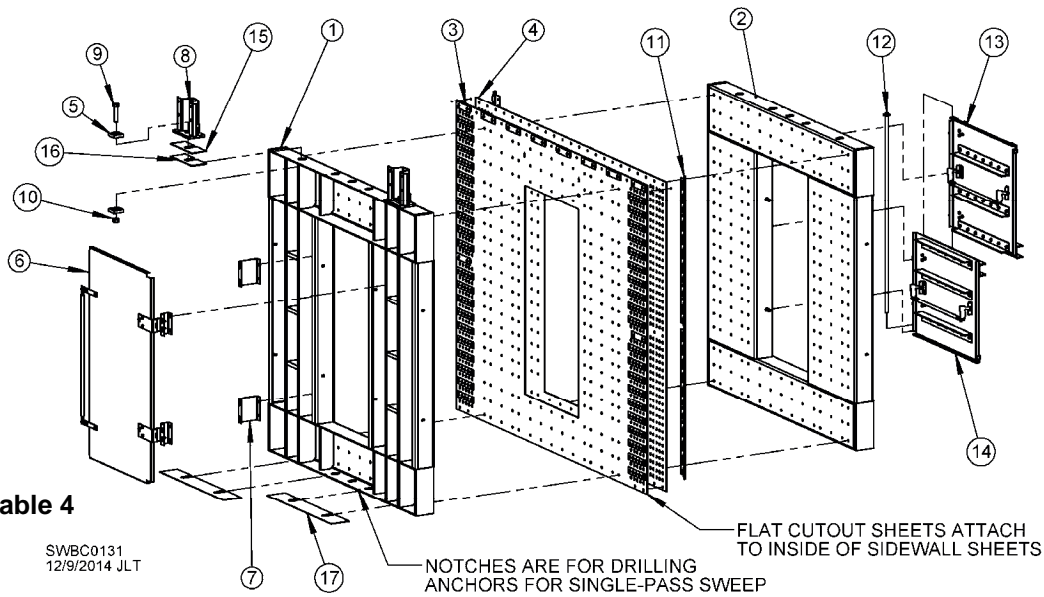


Fig. 8 & Table 4

SWBC0131
12/9/2014 JLT

ITEM #	DESCRIPTION	COMP. #	QTY.	BIN DIA.
1	Outside frame	BCD5075	1	72-105
2	Inside frame	BCD5070	1	72*-135
2**		BCD5070P		
3	Flat cutout weldment	BCD5050W	1	135
		BCD5051W		90-105
		BCD5052W		72-78
4	Flat cutout	BCD50501	1	135
		BCD50511		90-105
5	Square washer, 3 x 3/4"	BC52062	4	72-105
6	Outside door assembly	BCD5080	1	72-105
7	Lock catch	BCD5082	2	72-105
8	Stiffener boot	BCD5022	2	72-105
9	Screw, 1 - 8 x 4-1/2"	J0913	2	72-105
10	Hex nut, 1"	J1060	2	72-105
11	Corrugated end plate	BCD5015	4	72-105
12	Inside door hinge	BCD5025	1	72-105
13	Inner door assembly, top	BCD5035	1	72-105
14	Inner door assembly, bottom	BCD5037	1	72-105
		BCD5037P		
15	Stiffener shim, 11ga	BC5250	2	72-105
16	Stiffener shim, 7ga	BC52507	2	72-105
17	Frame shim	BCD5046	6	72-105

*72' to 78', 16-24 ring bin

**Plenum-punched bins

Fig. 8 and Table 4 show components of Commercial Walk-Thru Door for 72' to 105' dia. bins. Flat cutout sheets (Items 3 & 4) need to be installed on inside of bin first. **NOTE:** One flat sheet (Item 3) has half moons welded onto it to match inside corrugations. Attach flat cutout sheets using same hardware as used on sidewall ring to which they are attached. See color chart. **NOTE:** Leave out outside column of bolts until attachment of corrugated end plates (Item 11).

Bolt corrugated end plates to outside edges of inside flat sheet (Item 4). Attach outside and inside frames (Items 1 & 2) to flat cutout sheets. Frames use 1/2" hardware. Insert door frame shims (Item 17) as needed.

Use hinge pin weldment (Item 12) to attach inner door assemblies (Items 13 & 14) to inside door frame. Attach outer door assembly (Item 6) and door catches (Item 7) to outside door frame.

Attach stiffener boots (Item 8) to outside frame with 1" bolts, square washers, 1" nuts, and shims (Items 15 and 16) as needed.

Sidedraw Assembly

NOTICE: Use only Sukup-designed sidedraw discharge units and interior baffles with Sukup bins. Baffles help channel grain to discharge chute as grain flows from above. Never change function of a bin's intended use. Sukup bins are designed for specific amounts of grain and weight and to be loaded and unloaded in a certain manner. If bin was not intended for a sidedraw, unloading pressures may cause bin failure. See Fig. 1. Know the purpose for which bin was constructed.

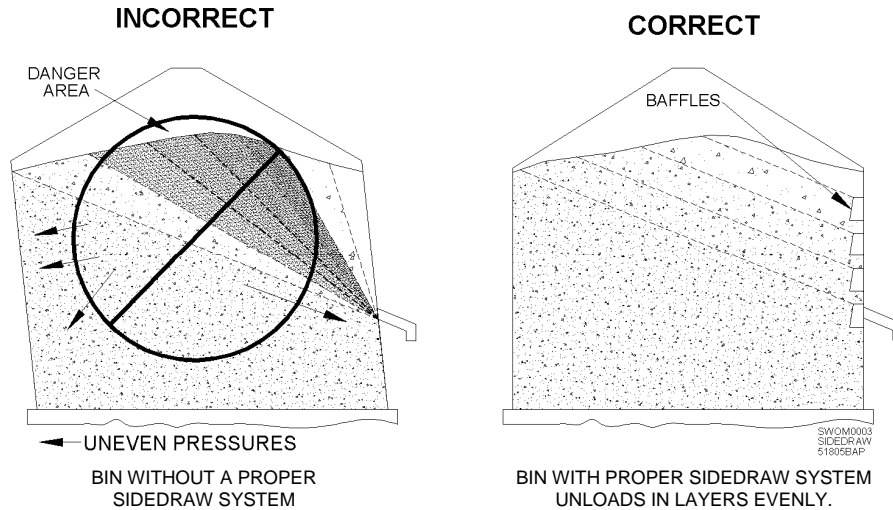


Fig. 1

NOTICE: Do not unload bin from sidewall without proper installation of a sidedraw system. Follow special guidelines below for bins with sidedraws. Failure to do so will result in excessive pressures that can result in sidewall leaning, buckling or other bin failure.

IMPORTANT GUIDELINES FOR SIDEDRAW USE

- Never add sidedraw to existing bin without consulting an independent engineer or obtaining written approval from Sukup Manufacturing Co. Bin may not be designed to accommodate a sidedraw.
- Intended for use with dry grain only. Do not use sidedraw with poorly flowing grain products.
- Do not use sidedraw until 90 days after first complete filling.
- If two sidedraws are installed, they must be placed at least 90° from one another in same ring. On a 105' bin, they must be placed 180° from each other in same ring.
- Only one sidedraw may be used at a time.
- Sidedraws are not to be used as primary outlets. Standard center sumps and conveyors should be installed. After sidedraw use, unload from center sump, then intermediate sumps, and then sweep bin.
- Do not unload from sidedraw and center sump at same time.
- Do not simultaneously fill and discharge.
- Sidedraw will leave grain in sloped position, creating off-center load. **IMPORTANT:** Before refilling, unload through center sump so grain reaches equal wall heights around entire bin. Grain must be level or in cone-down position before adding more grain. See next page.
- Sidedraw must be installed in center of a sidewall sheet that is no lower than fifth ring from bottom.
- Top discharge baffle must straddle horizontal seam between first and second rings from top of bin.
- Sukup Manufacturing Co. recommends alternate usage of sidedraws in bins 105' in diameter to reduce structural stress on bin. It is best to unload no more than four (4) rings of grain before switching to other sidedraw. See Fig. 2 as a guide.

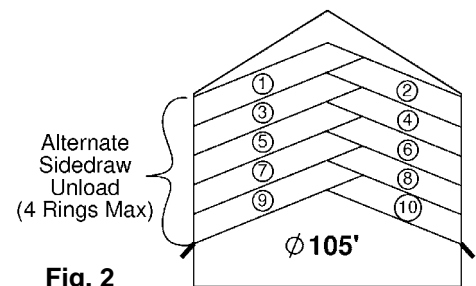


Fig. 2

SWBC0137
12/6/2011BAP

Baffle Assembly

It is important that all components of grain bin be positioned properly to maximize efficiency and effectiveness of equipment. Most planning should be done before foundation is poured, including location of sidedraw. Concrete stemwall height will affect discharge chute height and extension length. Discharge chute should be centered between stiffeners and no lower than five (5) rings from bottom. **DO NOT** assemble discharge chute on a vertical seam.

Discharge chute weldment is at a 45° angle. Extensions should be at the same angle. Sidewall sheet buckling and/or bin sidewall failure may occur if discharge angle is modified.

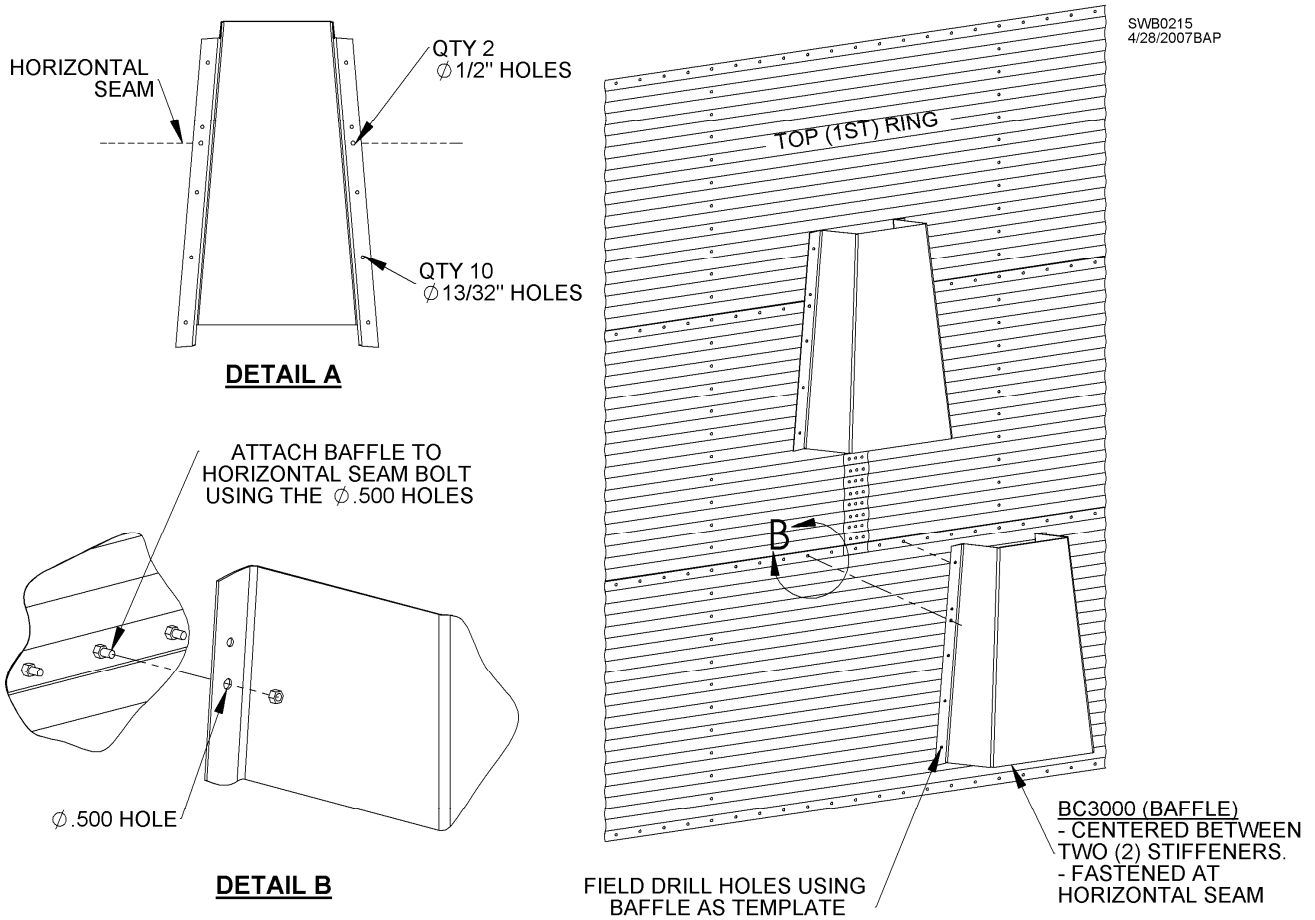


Fig. 3

It is important that baffle assembly begins at correct location. Always center baffle column between two stiffeners. First baffle must straddle first and second rings from top of bin. See Fig. 3. Fasten baffle to horizontal seam bolts using 1/2" diameter holes as shown in Fig. 3. After baffle is attached to horizontal seam, field-drill holes through sidewall sheets using baffle as a template. Attach baffle to sidewall using 3/8" hardware. Continue attaching baffles at every horizontal seam until reaching discharge chute weldment located no lower than fifth (5th) ring from bottom of bin.

Discharge Chute & Slide Gate Assembly

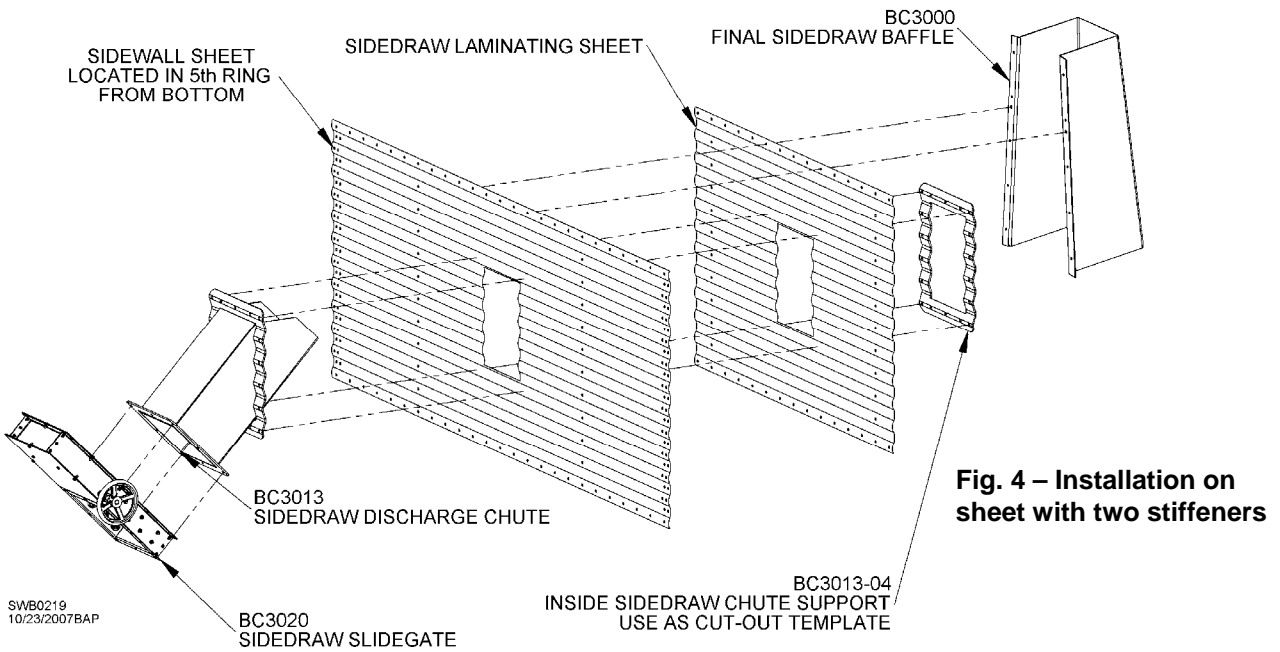


Fig. 4 – Installation on sheet with two stiffeners

Using inside sidedraw discharge chute support as a template, drill holes and cut openings in sidewall and laminating sheets as shown in Fig. 4 or Fig. 5, depending on number of stiffeners. Remember that discharge chute must be installed no lower than fifth (5th) ring from bottom of bin, centered both horizontally and vertically between stiffeners on sidewall sheet. Laminating sheet (shorter sidewall sheet) will be attached to inside of sidewall sheet. Ends of laminating sheet will be attached using same bolts as sidewall stiffeners.

Attach discharge chute to sidewall sheet, laminating sheet and inside chute support using same bolt size that is designated for that sidewall sheet gauge. Consult color chart sent with manual to determine which size bolt to use. Apply bin caulk around discharge chute bolt plate (on both sides of bolt holes) for a watertight seal.

Attach final baffle to horizontal seam directly above discharge chute. Final baffle is fastened to sidewall sheet in same manner previously stated. Also, fasten rack and pinion gate to end of discharge chute using 3/8 x 1-1/4" hex bolt and 3/8" hex nut.

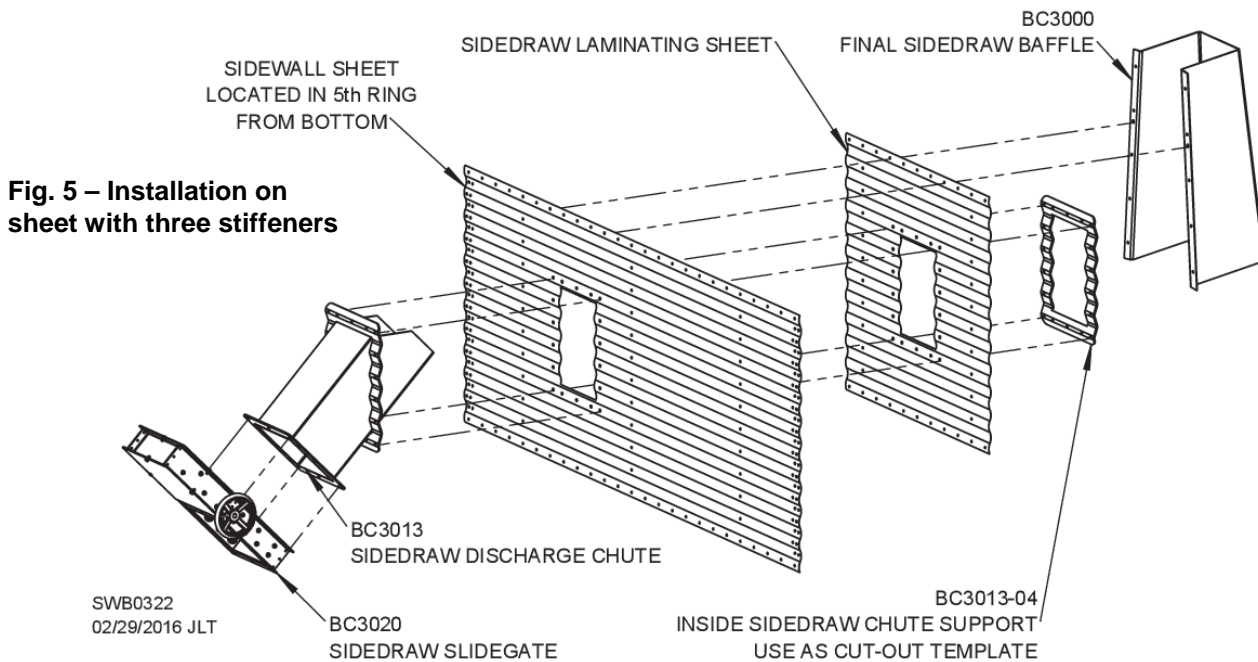


Fig. 5 – Installation on sheet with three stiffeners

Baffle Layout

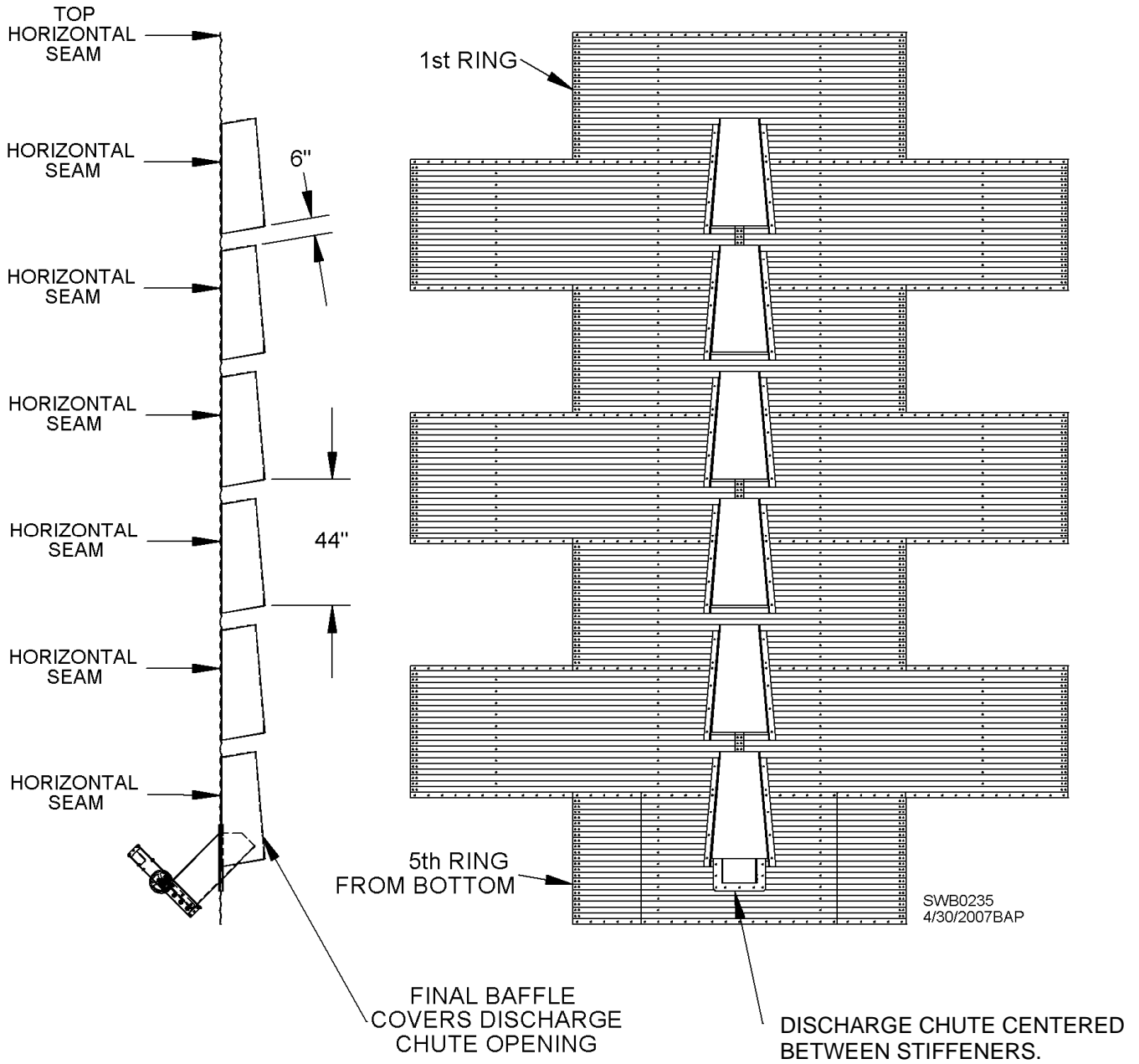


Fig. 6

It is important that all baffles are centered between two stiffeners to maintain a continuous column all the way down to discharge chute. Remember that baffles straddle two sidewall sheets and attach at horizontal seams. Top baffle must be connected to both first and second sidewall rings.

Final baffle must cover discharge chute as shown in Fig. 6.

Chain Guide Wheel Assembly (BC3001)

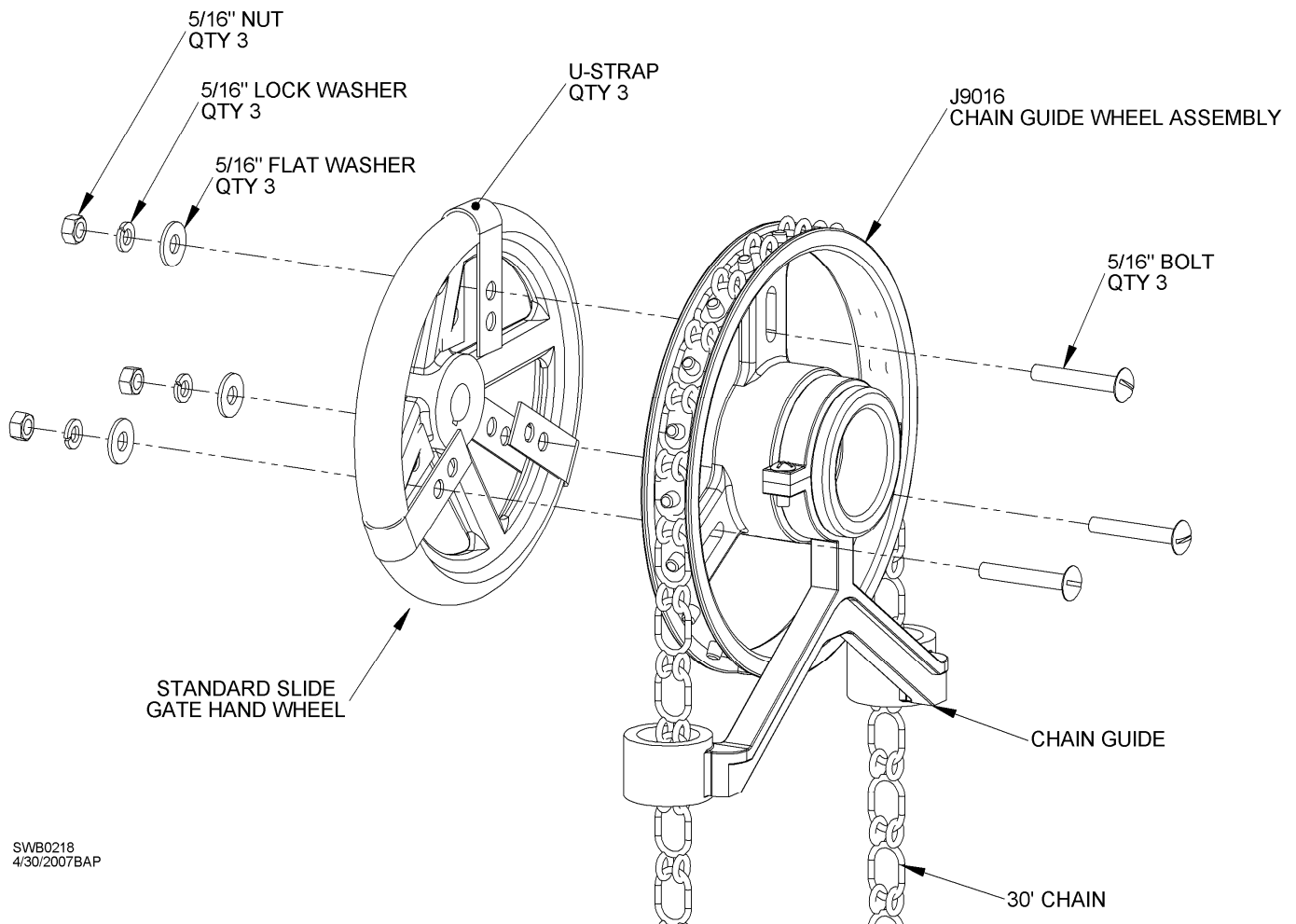


Fig. 7

All bolts, nuts, washers and straps are placed in same box as sprocket wheel and chain guide. Follow recommended steps and proper placement of straps and sprocket wheel. See Fig. 7.

1. Place U-straps over rack & pinion gate wheel.
2. Position sprocket wheel and chain guide against rack & pinion gate wheel so slots in sprocket wheel are in line with holes in U-strap.
3. Push bolts in from front as shown in Fig. 7, going first through slots in sprocket wheel and then through holes in U-straps. Fasten loosely with flat washers, lock washers and nuts.
4. Center the sprocket wheel on rack & pinion gate wheel. Tighten bolts.
5. Position chain through chain guide and around sprocket wheel until equal lengths are hanging down on each side.
6. Connect ends of chain together to form a continuous loop.

Sidedraw Extension Limitations

Table below shows maximum sidedraw extension dimensions based on sidedraw being located in fifth (5th) ring from bottom of bin. If for any reason a longer extension is needed, contact Sukup Manufacturing Co. for analysis of situation. Sidewall sheet buckling and/or bin sidewall failure may occur if maximum dimensions in table below are exceeded. **NOTE:** Dimensions are based on discharge chute flange extending 12" from bin sidewall.

# RINGS	BIN DIAMETER						
	42'	48'	54'	60'	75'	90'	105'
9	30"	30"	30"	36"	36"	42"	42"
10	30"	30"	36"	36"	36"	42"	50"
11	30"	30"	36"	36"	42"	42"	50"
12	30"	36"	36"	36"	42"	50"	57"
13	30"	36"	36"	36"	42"	57"	57"
14	36"	36"	42"	42"	50"	57"	70"
15	36"	36"	42"	50"	57"	57"	70"
16	36"	42"	42"	50"	57"	70"	70"
17	36"	42"	50"	50"	57"	70"	70"
18	42"	42"	50"	50"	57"	70"	70"
19	42"	42"	50"	50"	57"	70"	70"
20	42"	50"	50"	50"	70"	70"	70"
21	50"	50"	50"	57"	70"	70"	70"
22	50"	50"	50"	57"	70"	70"	70"
23	50"	50"	50"	57"	70"	70"	70"
24	50"	50"	50"	57"	70"	70"	70"

Maximum sidedraw extension lengths

Ladders, Safety Cages & Platforms

Inside 44" & 33" Ladders, Angled Standoff Brackets

Attach ladders to sidewall with angled inside ladder splice brackets at every horizontal seam. The only exception will be at top of each ladder assembly. Splice brackets must be moved down 4" to avoid interference with roof sheets and ladder caps. Bins with stirring machine will be shipped with a 33" ladder that assembles below stirring machine track. See Fig. 1. When installing ladder sections, rung treads must face upward.

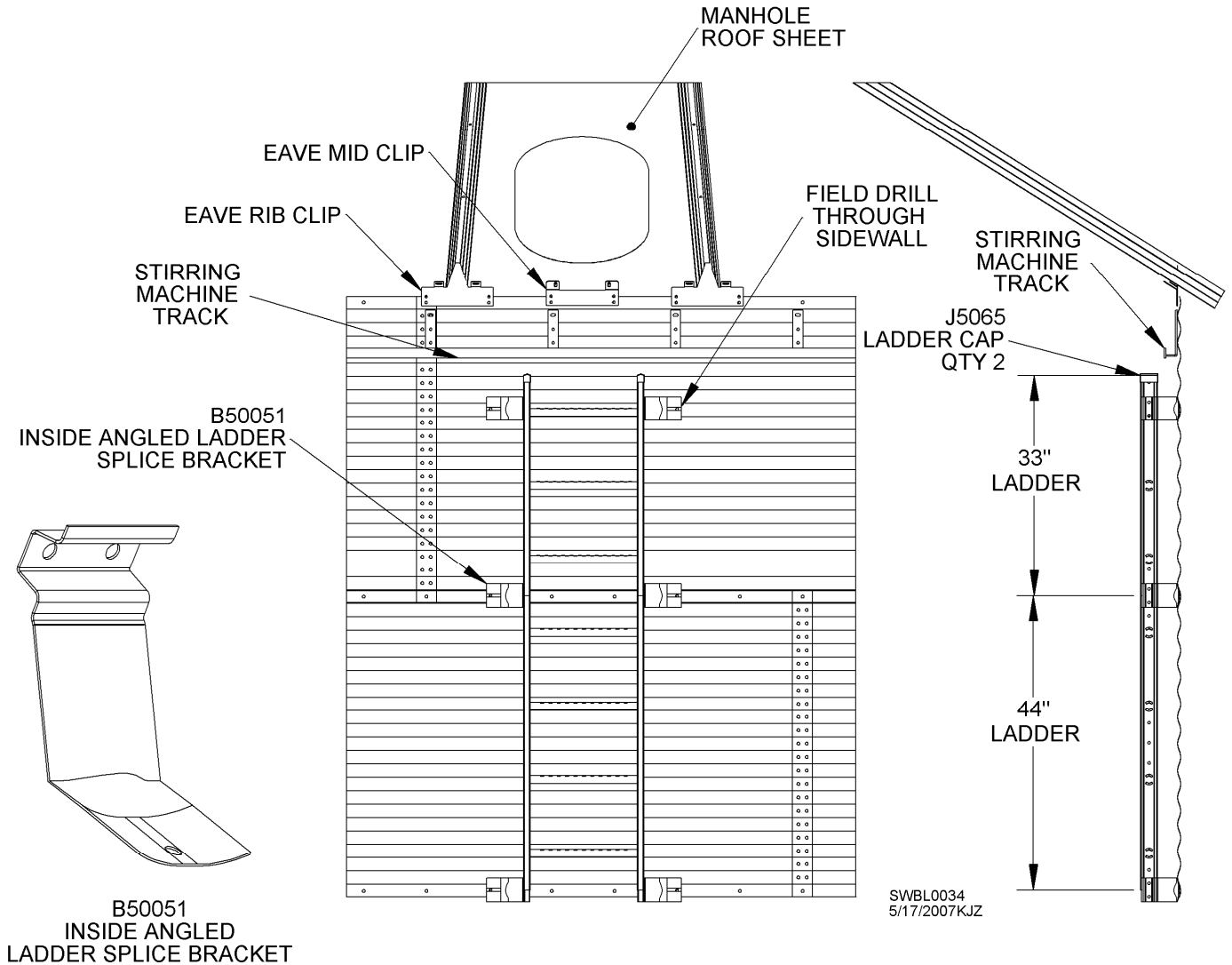


Fig. 1

NOTE: 3/8" hardware is used to assemble all inside ladder packages.

Insert sidewall/splice bracket bolts from outside of bin to create a watertight seal. If outside ladder brackets are used at that same location, remove washer and place between outside bracket and sidewall. Ladder should be centered under manhole opening. **NOTE:** If inside ladder package is ordered, every sidewall ring except bottom one will have an inside ladder attached to it.

Inside 44" Ladders, 90° Standoff Brackets

Attach ladder to sidewall with 90° inside ladder splice brackets at every horizontal seam. See Fig. 2. The only exception will be at top of each ladder assembly. Splice brackets must be moved down 4" to avoid interference with roof sheets and ladder caps. When installing ladder sections, rung treads must face upward.

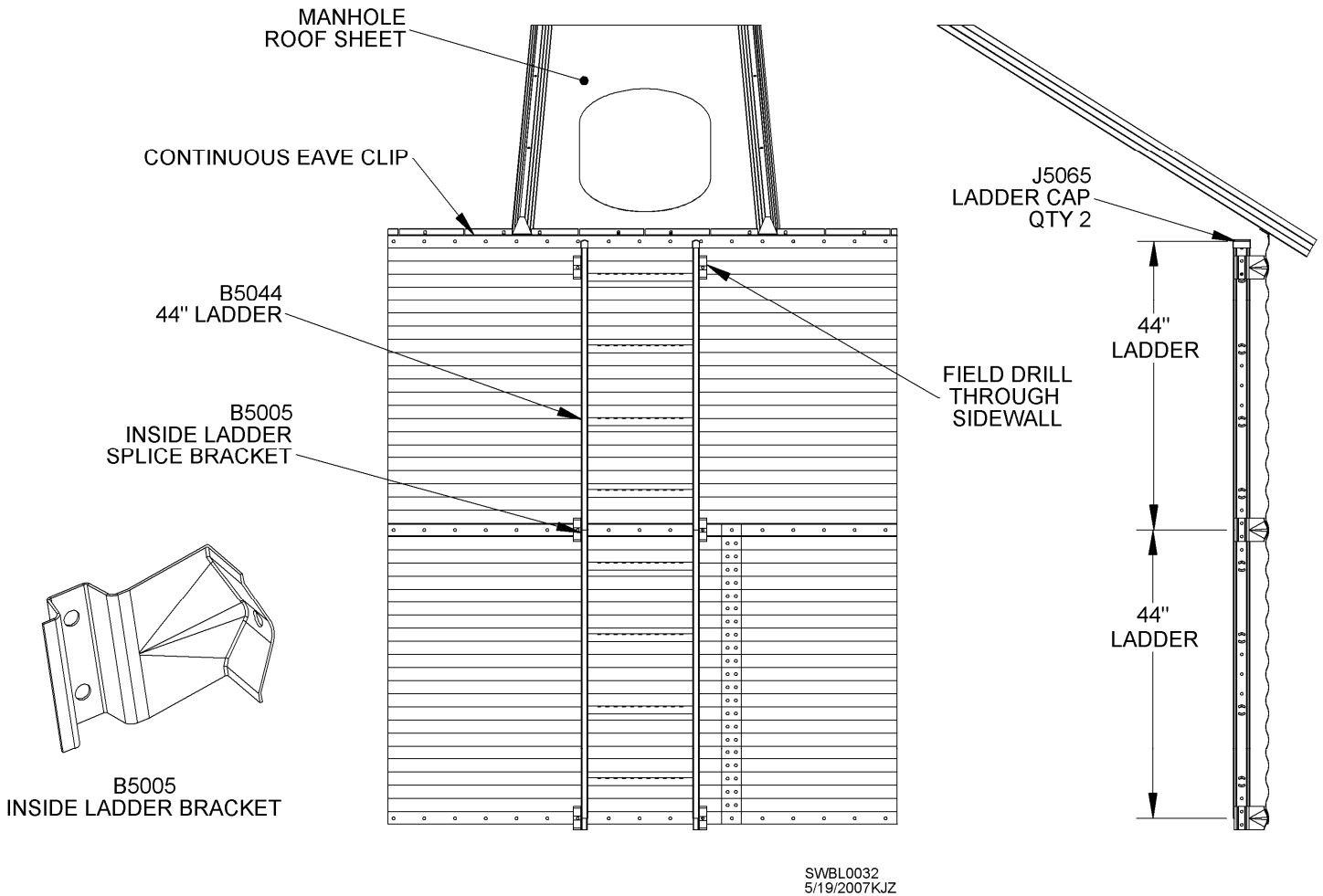


Fig. 2

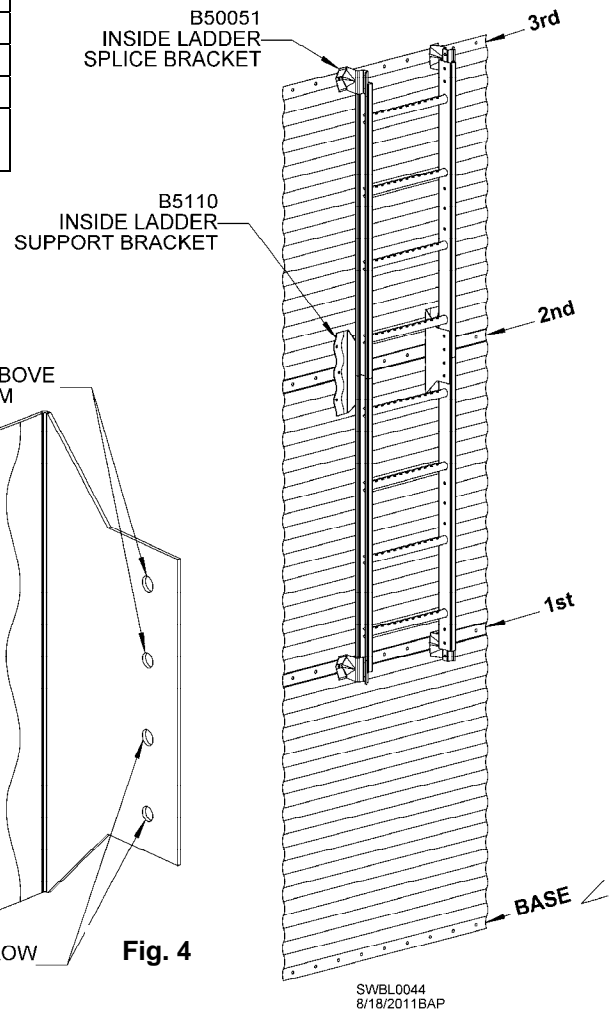
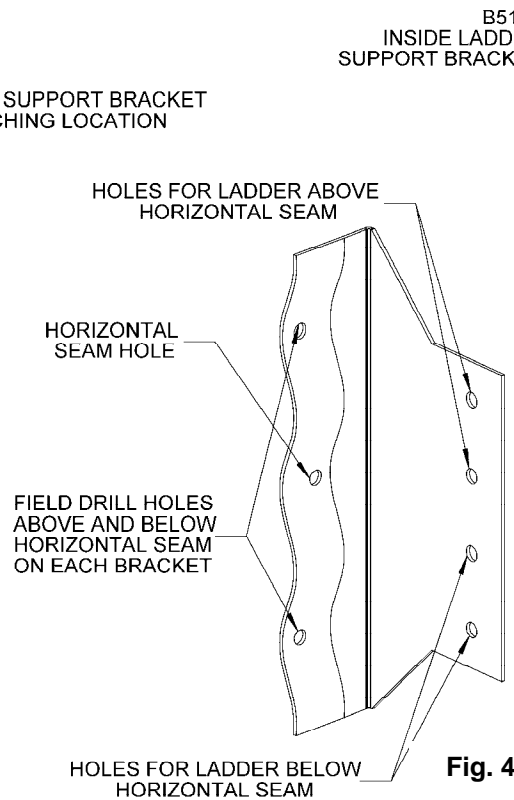
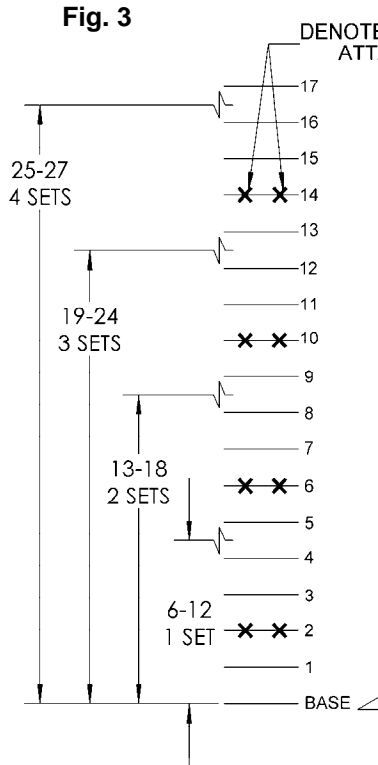
NOTE: 3/8" hardware is used to assemble all inside ladder packages.

Insert sidewall/splice bracket bolts from outside of bin to create a watertight seal. If outside ladder brackets are used at that same location, remove washer and place between outside bracket and sidewall. Ladder should be centered under manhole opening. **NOTE:** If inside ladder package is ordered, every sidewall ring except bottom one will have an inside ladder attached to it.

Additional Ladder Support Brackets

Bin Height	Set(s) of Support Brackets	Horizontal Seam Used for Bracket Attachment*
6-12	1	2nd
13-18	2	2nd, 6th
19-24	3	2nd, 6th, 10th
25-27	4	2nd, 6th, 10th, 14th

***Location determined by counting seams from bottom as shown in Fig. 4. Do not count base angle seam.**



To provide added stability to inside bin ladders, one to four pairs of support brackets are provided, depending on height of bin. One pair should be installed in bins with 6 to 12 rings; two pairs in bins with 13 to 18 rings; three pairs in bins with 19 to 24 rings; and four pairs in bins with 25 to 27 rings. See guidelines above for attaching locations. Some examples: A 10-ring bin requires one (1) set of ladder support brackets attached at 2nd horizontal seam; a 14-ring bin requires two (2) sets of ladder support brackets, attached at 2nd and 6th horizontal seams; a 22-ring bin requires three (3) sets of ladder support brackets, attached at 2nd, 6th, & 10th horizontal seams.

Install brackets at ladder splice, using existing horizontal seam bolt in middle hole of support bracket. Field-drill one hole above and one below horizontal seam as shown in Fig. 4 and secure with 3/8" hardware. Bolts should be inserted from outside of bin. Attach brackets to inside of ladder rails as shown, using holes provided and 3/8" hardware. **TIP:** It may help to mark on supplied color chart the locations of these additional ladder support brackets.

NOTE: Horizontal seams are at top of specified ring. Do NOT count base angle seam.

Outside 44" Ladders

44" ladder sections will attach at each sidewall ring. Attach ladders to sidewall with outside ladder splice brackets at every horizontal seam. The only exception will be at top and bottom of each ladder assembly. Splice brackets must be moved up or down 4" to avoid interference with roof sheets, landing platform brackets, concrete and ladder caps. See Fig. 5. When installing 44" ladder sections, rung treads must face upward.

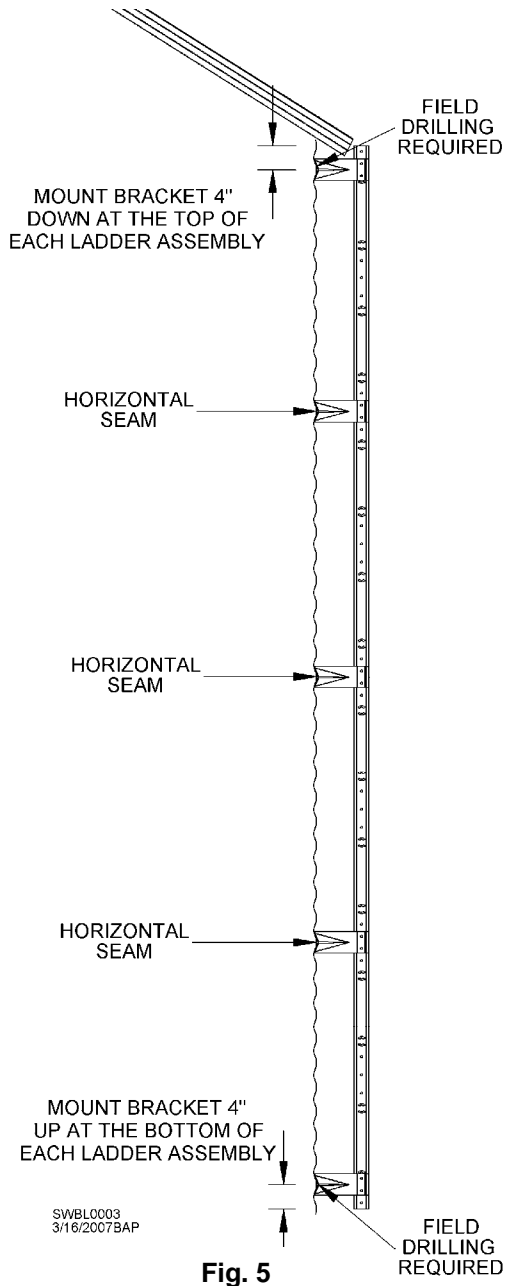


Fig. 5

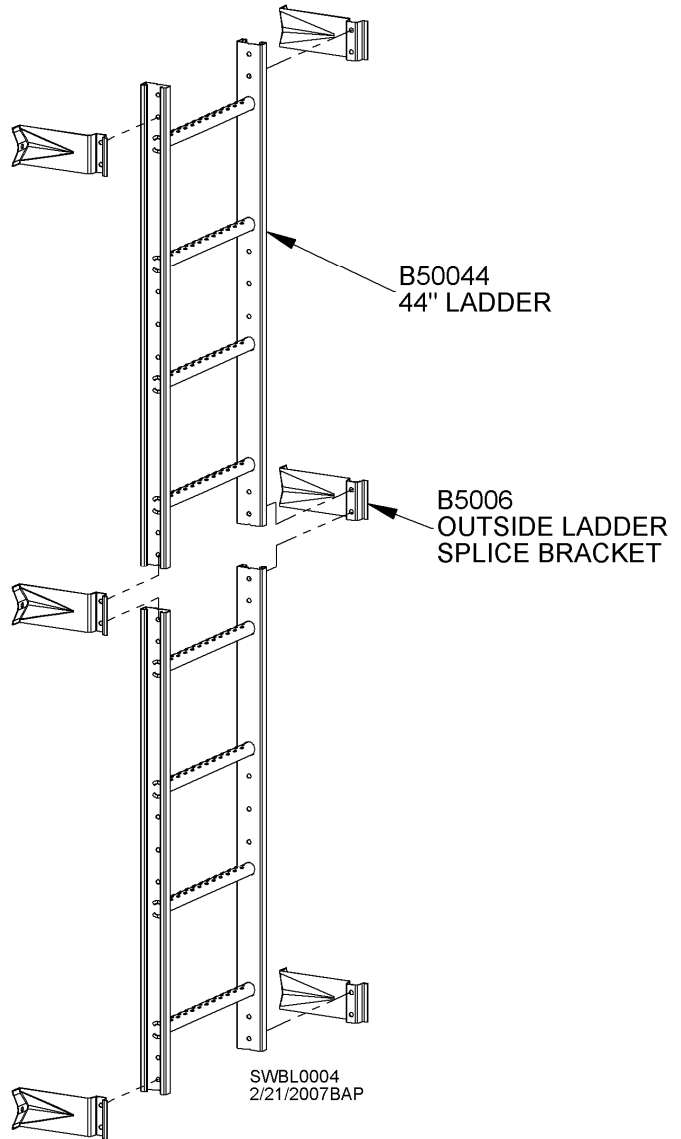


Fig. 6

NOTE: 3/8" hardware is used to assemble all ladders, platforms, and cages.

Insert sidewall/splice bracket bolts from inside of bin to create a watertight seal. If outside ladder brackets are used at that same location, remove washer and place between outside bracket and sidewall. See Fig. 6.

Ladder Extension (B5020)

Ladder extension assembly is provided with cage and platform packages. It is an additional option for 3-5 ring ladder packages.

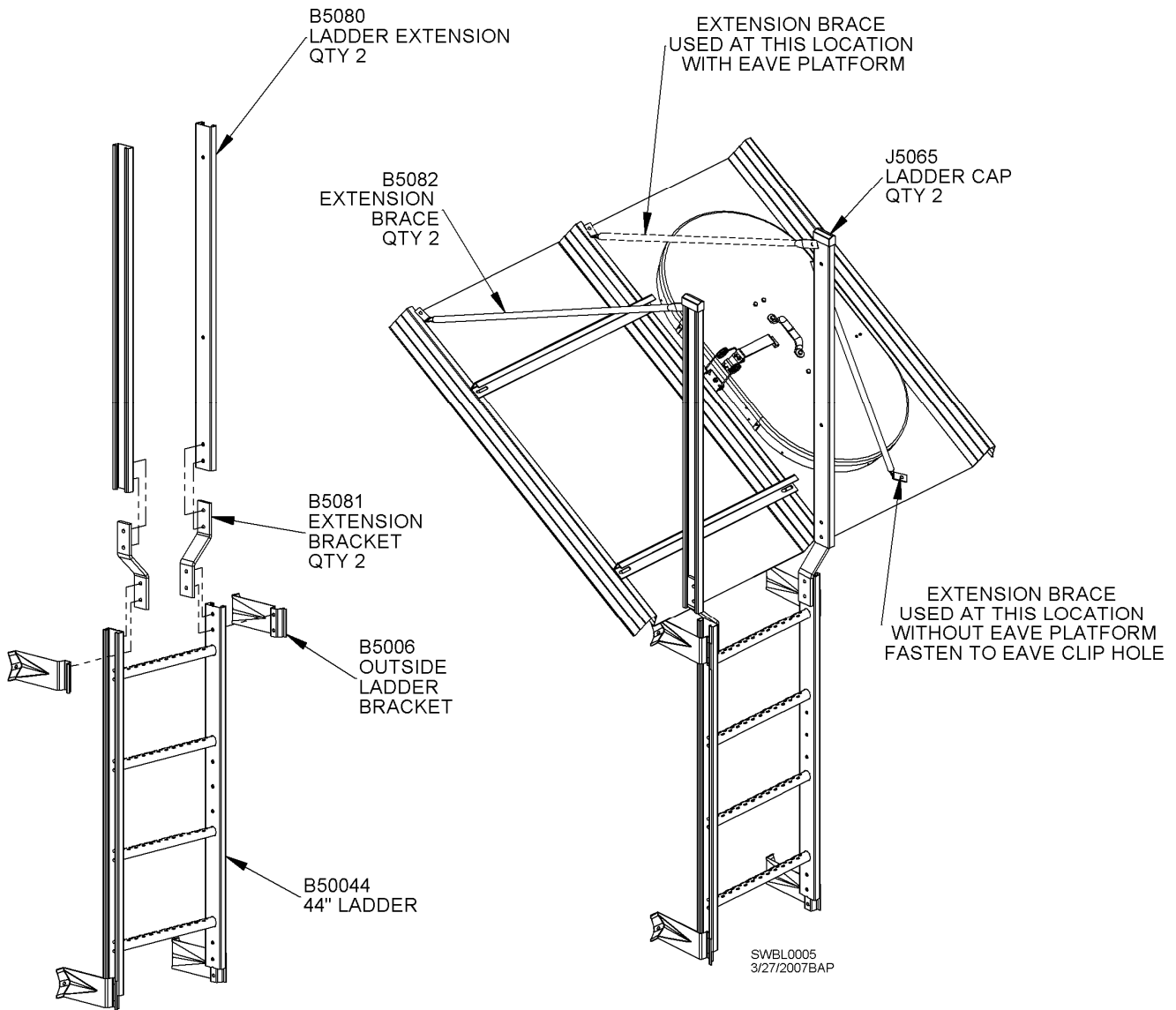


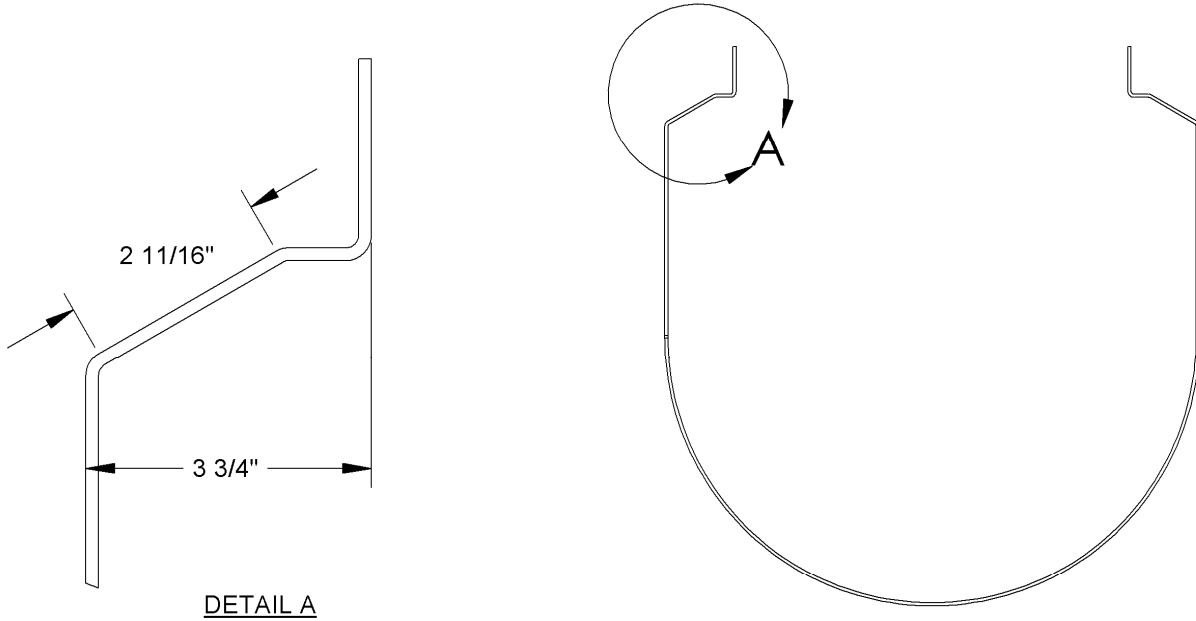
Fig. 7

Extensions are provided as a means to walk "through" ladder onto roof steps. Extensions are connected to ladder rails using extension bracket offsets. When attaching extension bracket to ladder, hardware will be inserted through three (3) pieces (extension bracket, ladder siderail and ladder bracket). Assemble extension bracket to top hole on ladder siderail first, then attach ladder bracket to siderail and sidewall. Attach ladder extensions to extension brackets and stabilize to roof ribs using extension braces. See Fig. 7. Assemble with 3/8" hardware. Slide plastic ladder caps over tops of extensions. **NOTE:** Field drilling may be required when attaching extension braces. Extension braces may need to be attached by a different means to avoid interference with manhole.

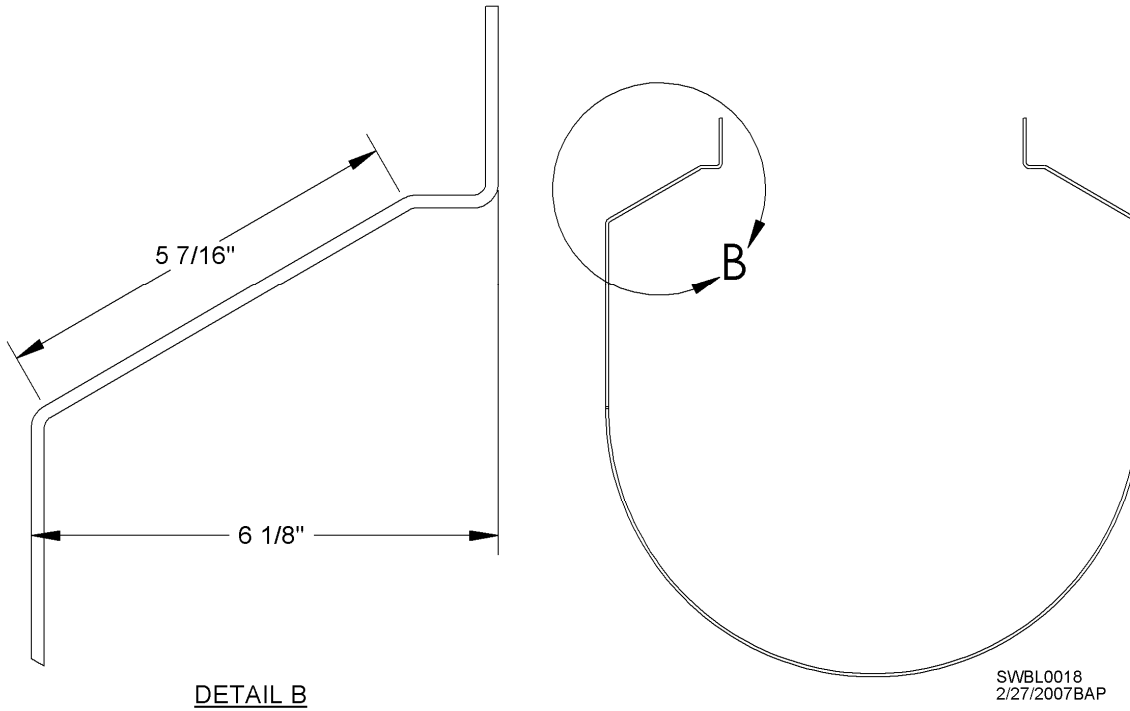
Extension and Standard D-ring

Fig. 8 shows differences between an extension D-ring and a standard D-ring. Extension D-rings are used only at ladder extension. Standard D-rings are used only on ladders. Both D-rings have same outside dimensions except for what is shown in Details A & B of Fig. 8.

EXTENSION D-RING



STANDARD D-RING



SWBL0018
2/27/2007BAP

Fig. 8

Ladder Cage/No Platform

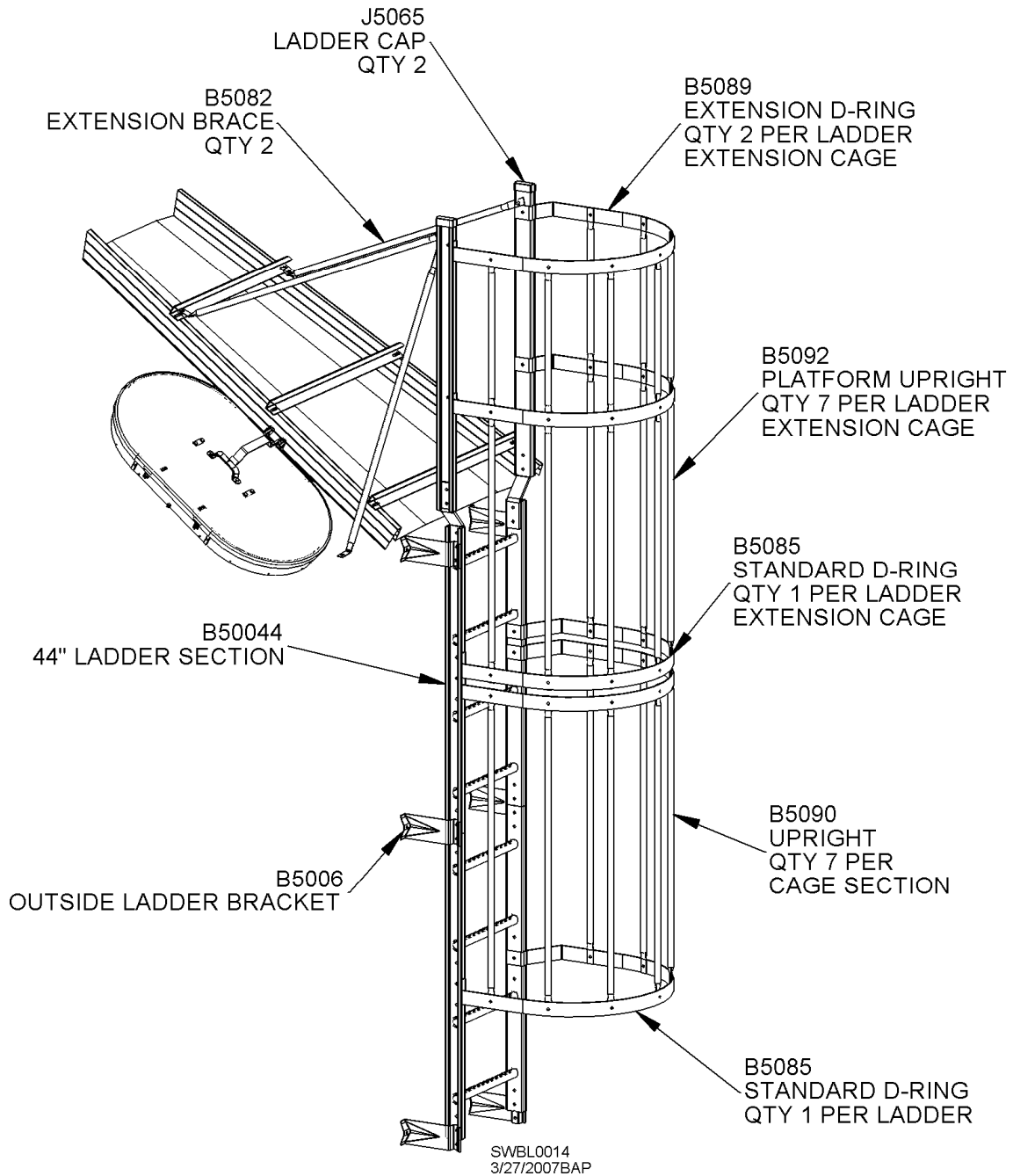


Fig. 9

Some ladder and cage assemblies do not require use of platforms. For these, an extension package is available as an option to access roof steps. If safety cage is used on these ladders, an extension D-ring is required to fit between extension rails. Assemble ladder extension D-rings to ladder extensions at same locations as if platform were mounted in 1st position. Connect platform uprights to D-rings with 3/8" hardware and tighten. See Fig. 9. Extension braces may need to be attached by a different means to avoid interference with manhole.

44" Cages with 22" Flared Bottoms

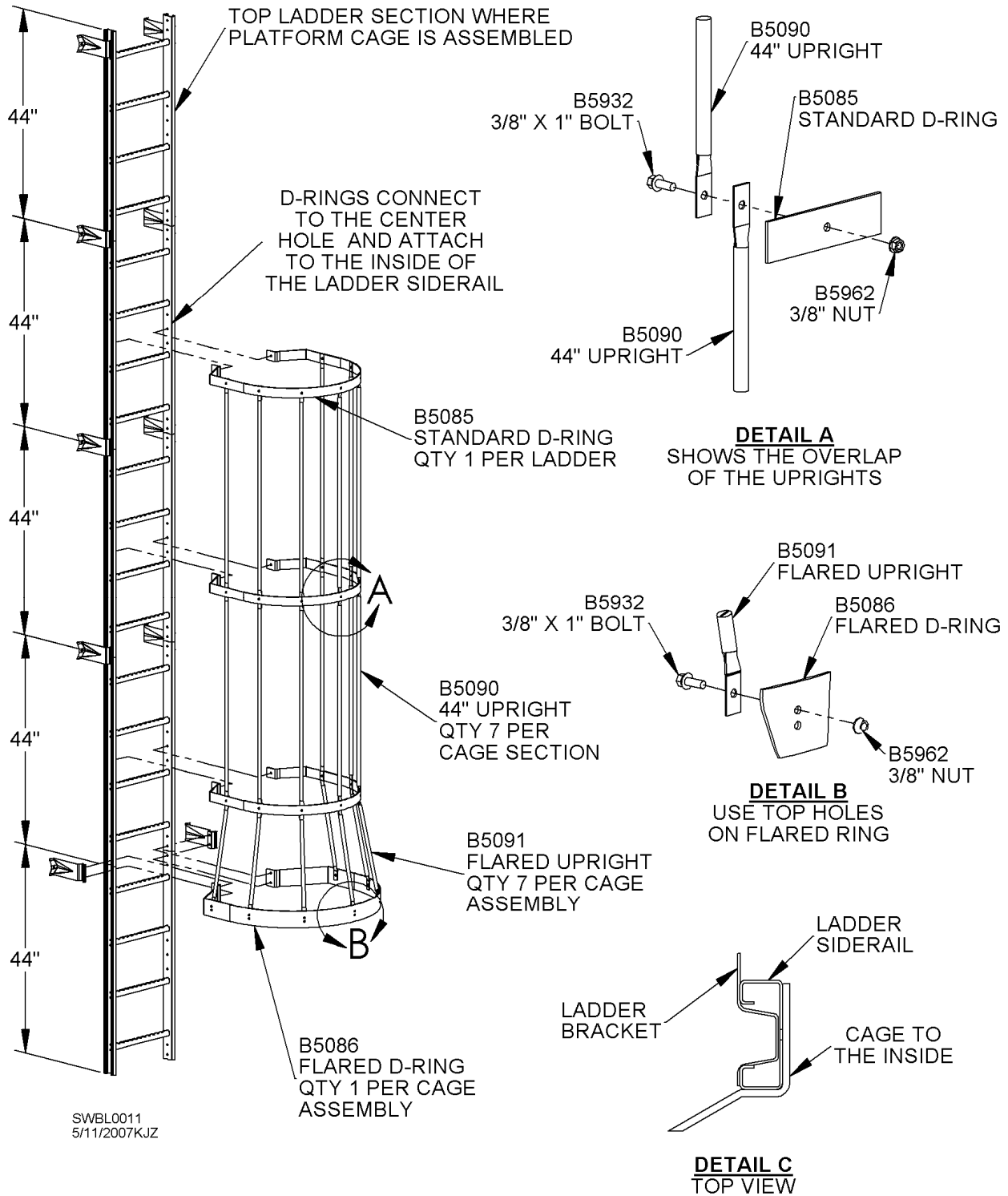


Fig. 10

As bin is built, continue to add appropriate ladder and cage sections. Refer to following pages for specific ladder and cage layouts. Cage sections consist of standard D-rings and seven (7) uprights. Standard D-rings attach to inside of ladder siderails. A flared D-ring is always used at bottom of each cage assembly. Top D-ring must be connected to center of top ladder. This allows bottom flared D-ring to be at proper height above the next surface (concrete or landing platform). Assemble standard D-rings and uprights to ladder sections with 3/8" hardware. See Fig. 10.

36" Platform Locations

Fig. 11 shows the four (4) positions where platform can be located. **NOTE:** Each location is at same level as a ladder rung in first ring. For 1st & 2nd positions, 44" sidewall bracket mounts to sidewall at horizontal seam. For 3rd & 4th positions, center hole of 44" sidewall bracket is mounted at second horizontal seam. Field drilling is needed.

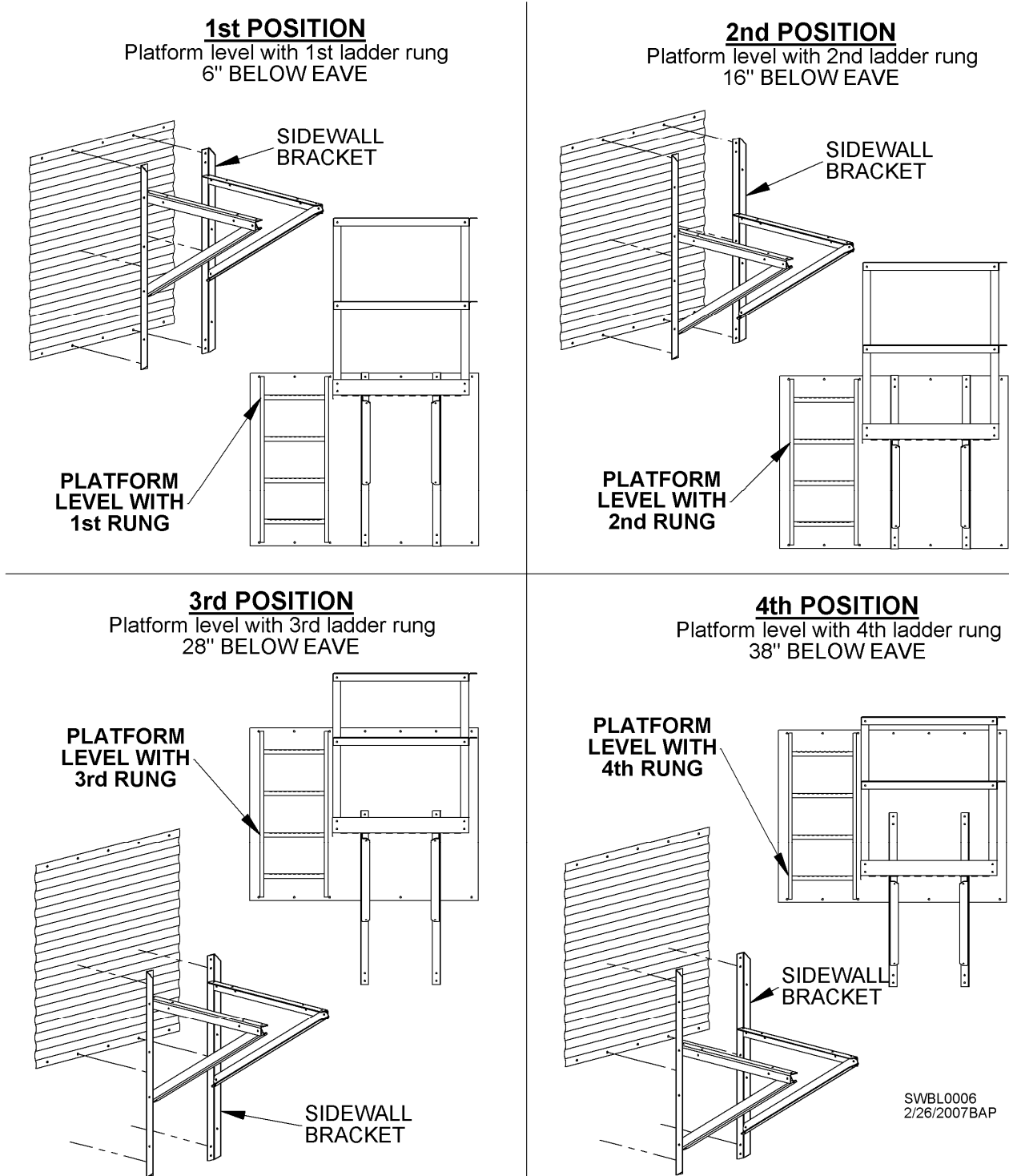


Fig.11

36" Platform Starting Locations

Location of ladder is a critical factor in constructing a grain bin. Careful thought must be given to position of sidewall and roof ladders in relationship to overall layout of site and auxiliary equipment. Location of roof ladder and manhole during bin construction will establish location of sidewall ladder. Sidewall ladder and eave platform must be in line with roof ladder and manhole. Fig. 12 shows eave platform starting location on a sidewall sheet with 9-3/8" bolt hole spacing. Lower drawing shows ladder centered between stiffeners.

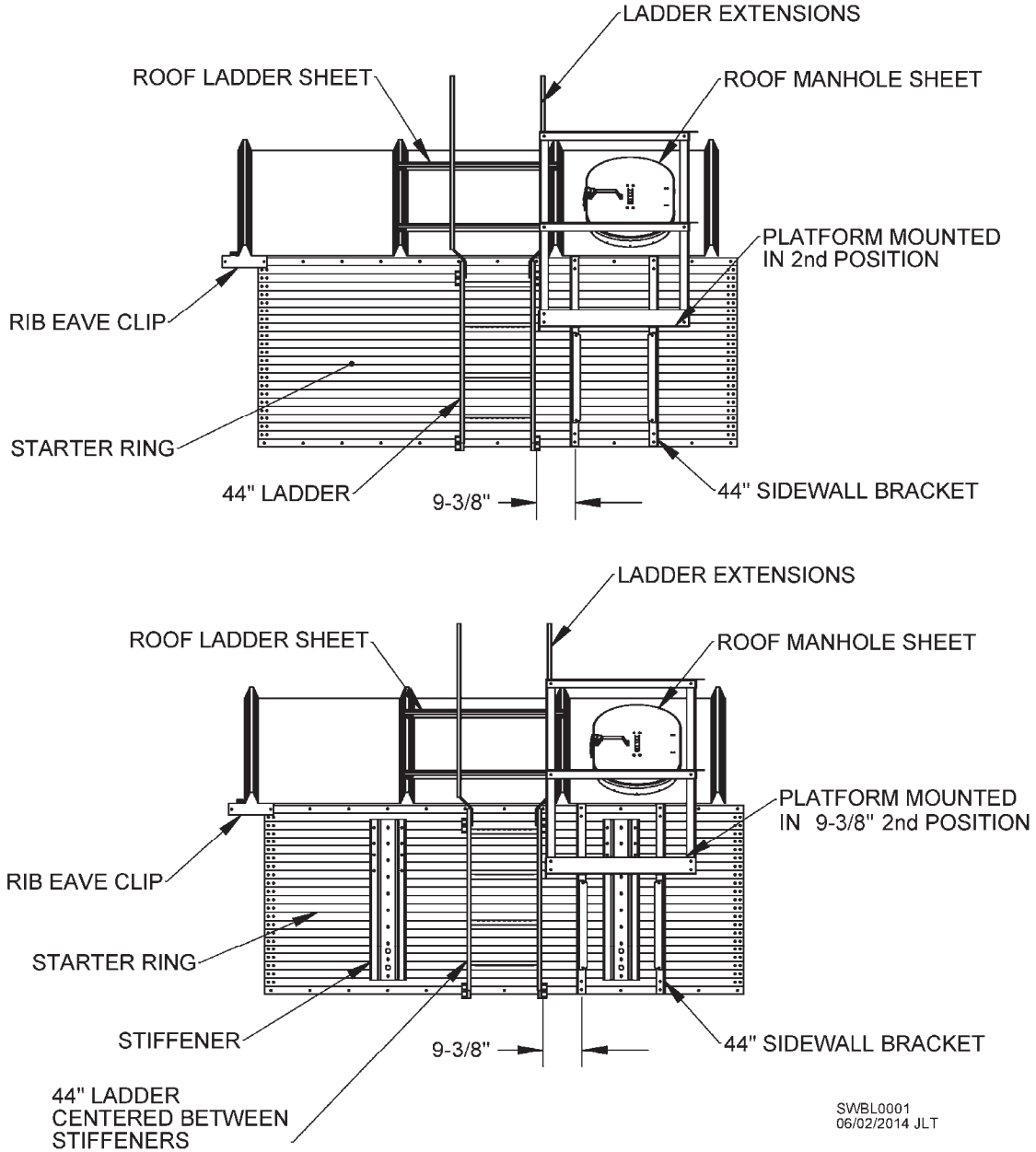


Fig. 12

36" Platform Assembly (B5010)

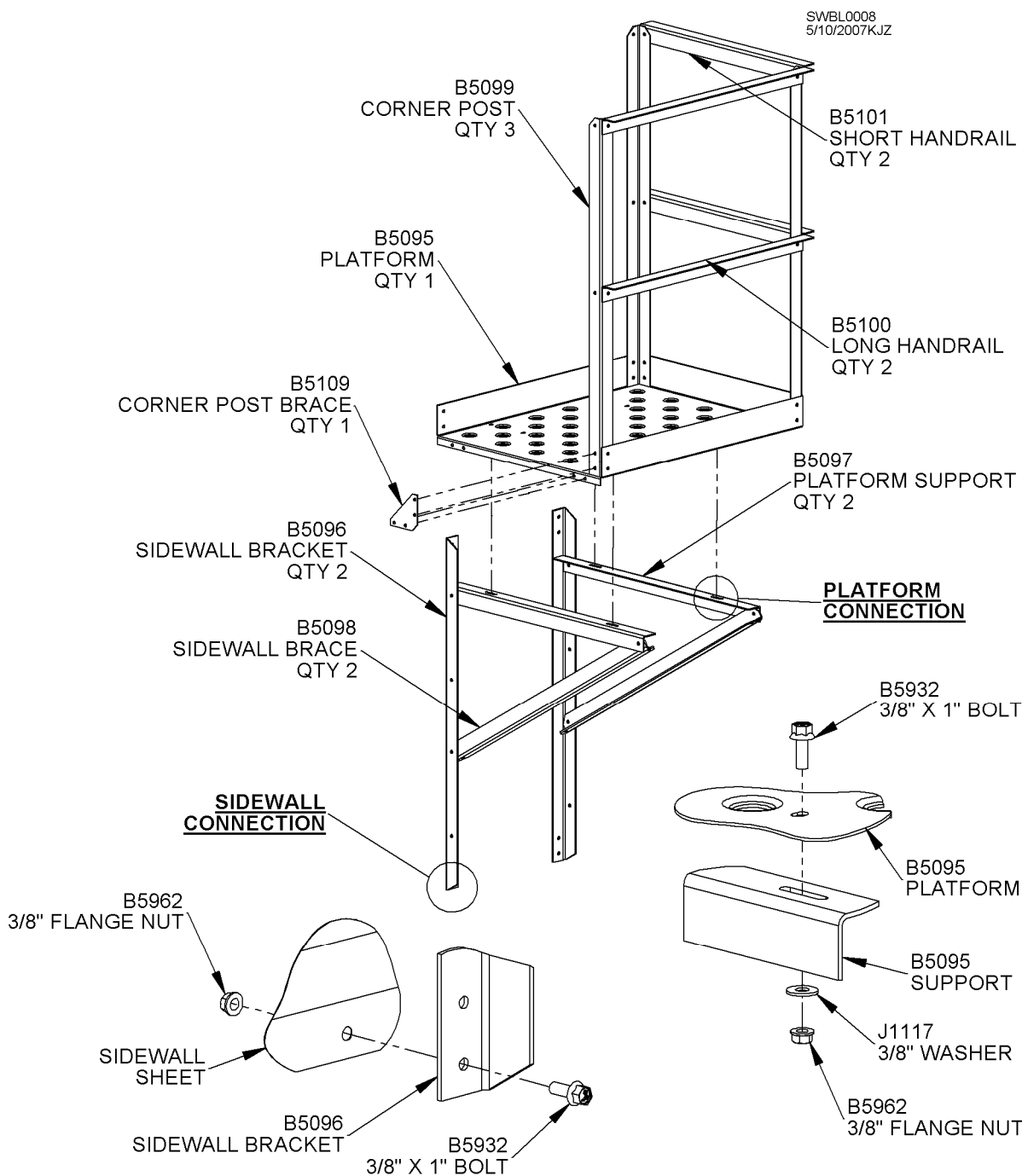


Fig. 13

Entire platform assembly is constructed with 3/8" hardware. Begin assembly of platform by attaching sidewall brackets to sidewall. Some holes may need to be field-drilled depending on which position was chosen. Attach platform support and brace angles to sidewall bracket at correct locations. **NOTE:** Leave all bolts loose until assembly is complete.

Attach platform to top of platform supports and fasten the three (3) corner posts to platform's 4" toeboard. Fasten long and short platform handrails to corner posts. Tighten platform assembly. See Fig. 13. **HINT:** When assembling platform with safety cages, some hardware will have to be left out of platform assembly at this time.

Top & Bottom Corner Post, 36" Platform

Fig. 14 shows the four locations platform can be positioned. Top and bottom corner posts will not be moved vertically. Only the platform assembly itself will be able to move up or down on corner posts. **NOTE:** Top half D-ring fastens to top hole in top corner post and bottom half D-ring fastens to bottom hole of bottom corner post.

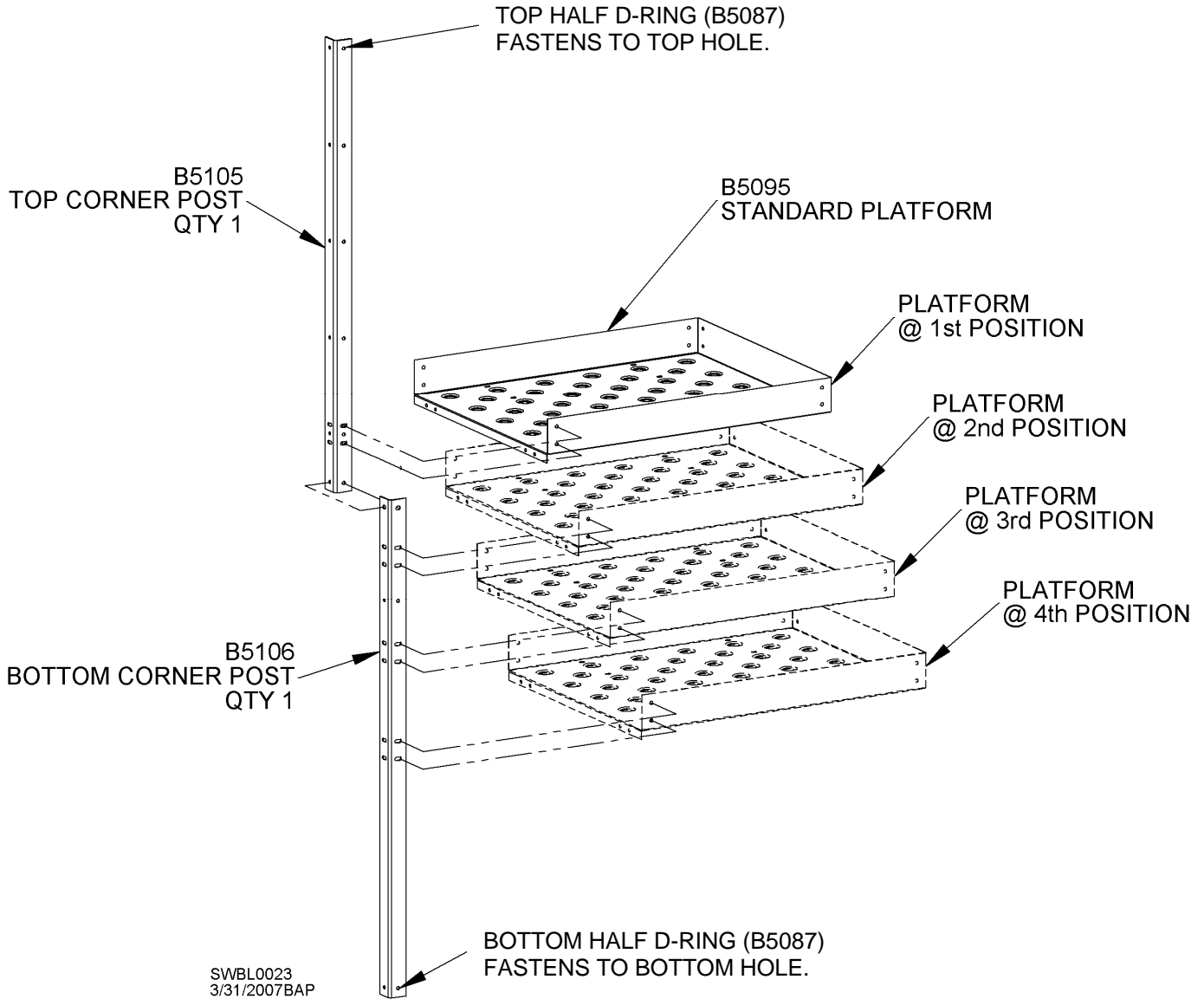


Fig. 14

Eave Platform Cage, 36" Platform

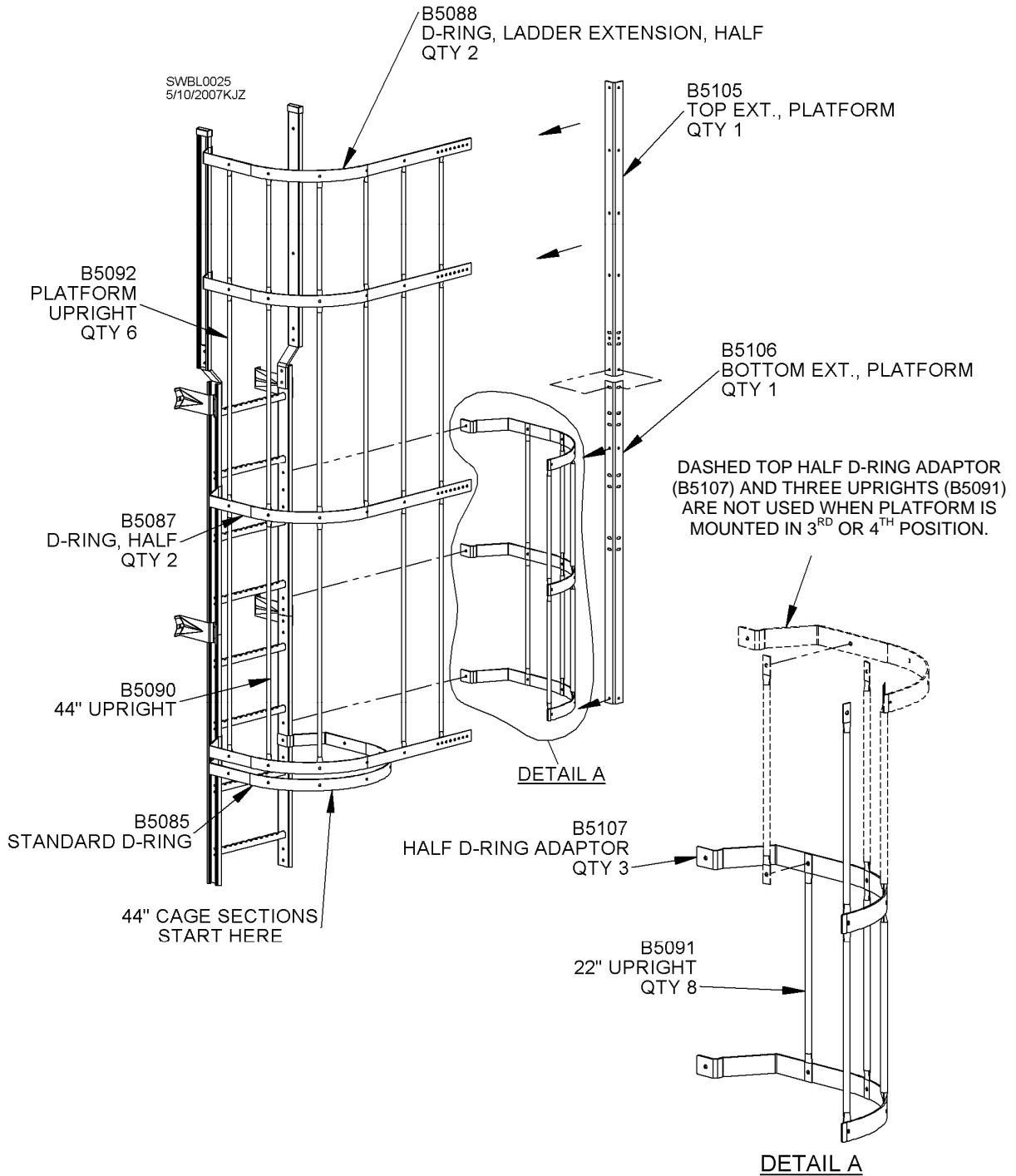


Fig. 15

When assembling cage to platform, top and bottom extensions must be attached to D-rings as shown in Fig. 15. Top portion of cage can be assembled first, but a second sidewall ring must be added before bottom extension is installed to finish platform cage. **NOTE:** If platform is mounted in 3rd or 4th position, adaptor uprights must be field-cut and attached to platform.

Eave Platform Cage Assembly, 36" Platform

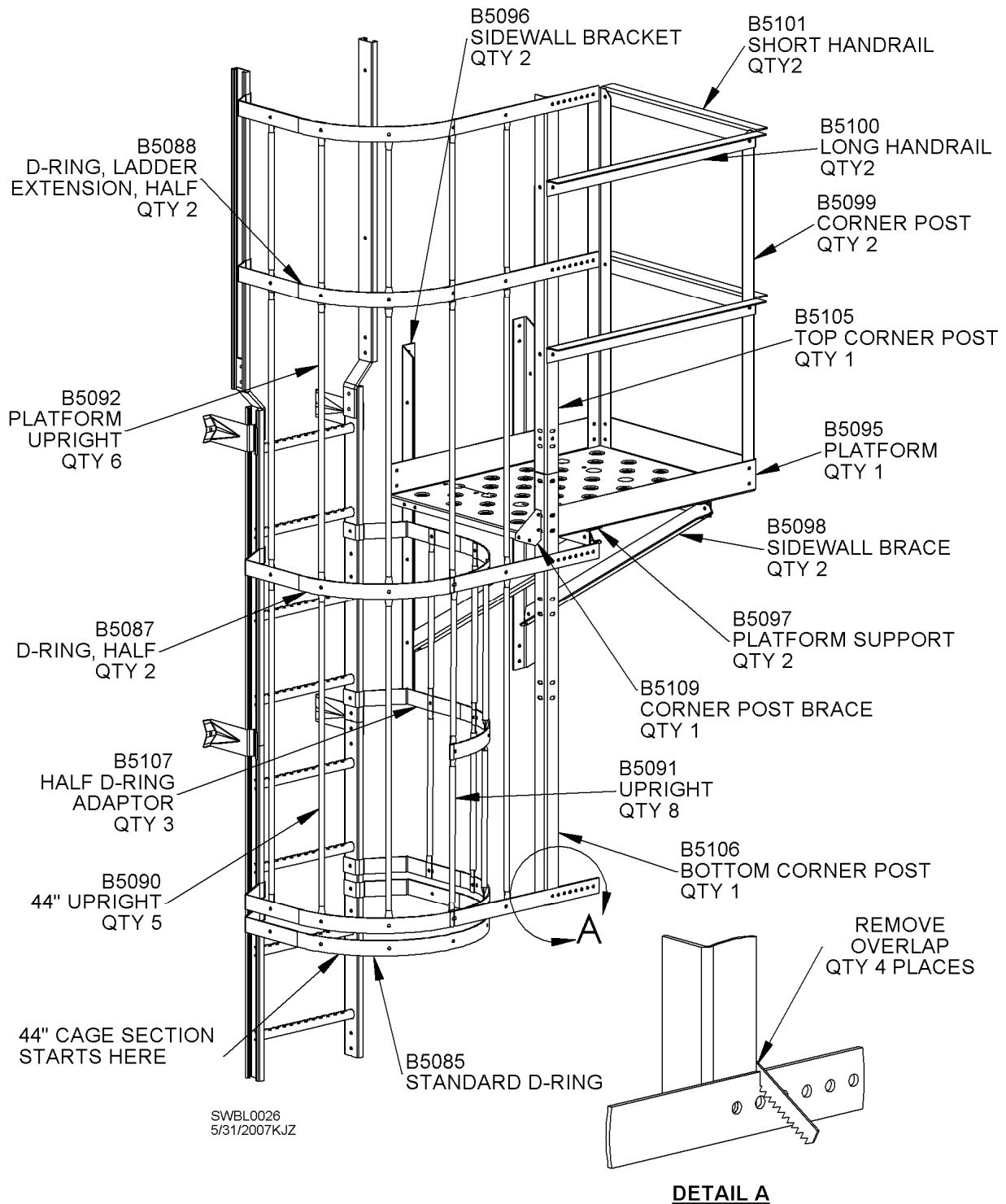


Fig. 16

Final assembly of platform cage to extensions and platform is shown in Fig. 16. Platform assembly is shown in 2nd position. All cage and platform assemblies are connected with 3/8" hardware. Remove D-ring overlaps to ensure smooth, snag-free edges.

NOTE: Six (6) platform uprights and five (5) 44" uprights are sent with this assembly. Depending on diameter of bin, one upright may be discarded at each location where half D-rings connect to corner post. Be certain that gap is no more than 9".

44" Cages with 22" Flared Bottoms

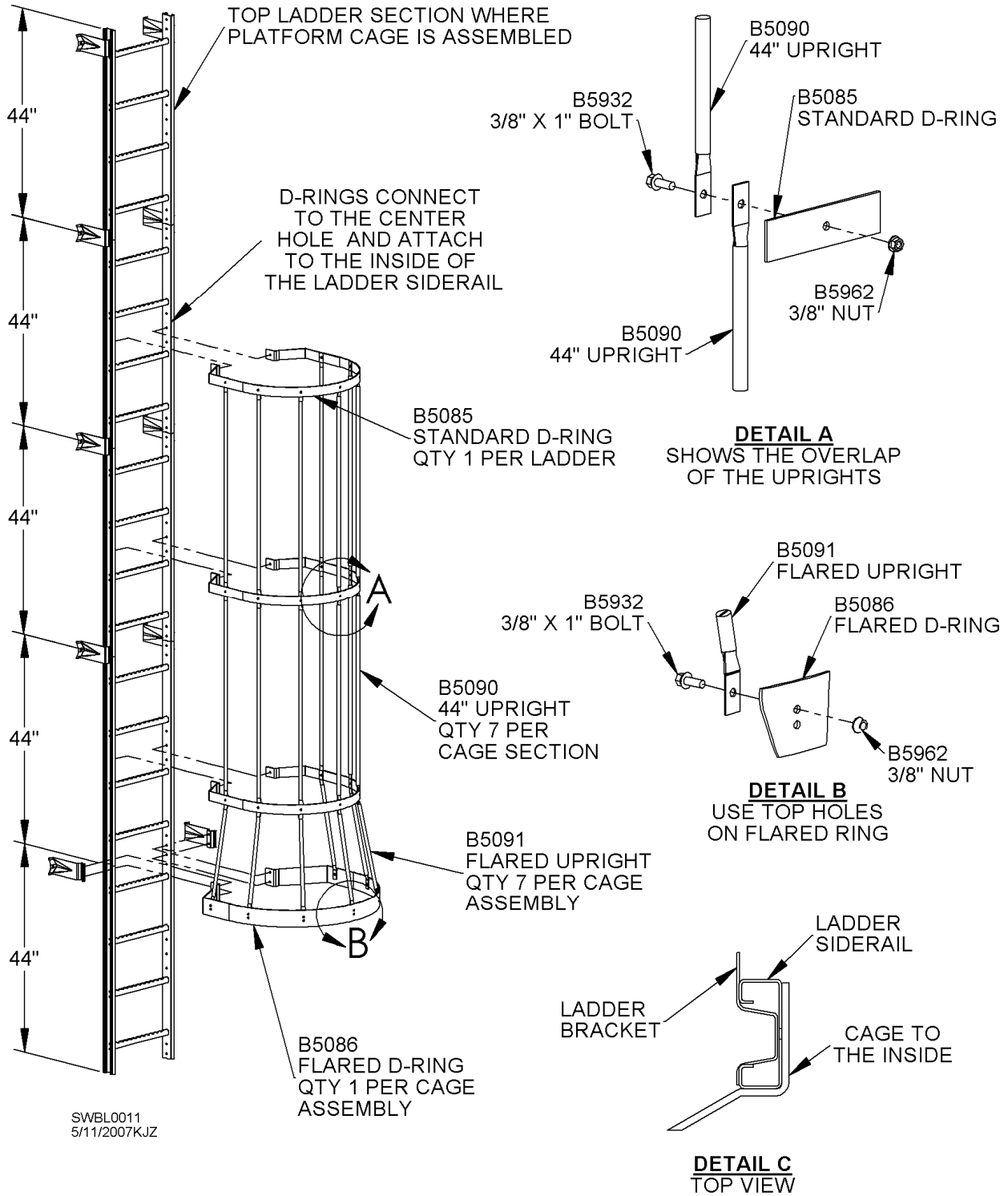


Fig. 17

As bin is built, continue to add appropriate ladder and cage sections. Refer to following pages for specific ladder and cage layouts. Cage sections consist of standard D-rings and seven (7) uprights. Standard D-rings attach to inside of ladder siderails. A flared D-ring is always used at bottom of each cage assembly. Top D-ring must be connected to center of top ladder. This allows bottom flared D-ring to be at proper height above the next surface (concrete or landing platform). Assemble standard D-rings and uprights to ladder sections with 3/8" hardware. See Fig. 17.

Landing Platform Layout, 36" Platform

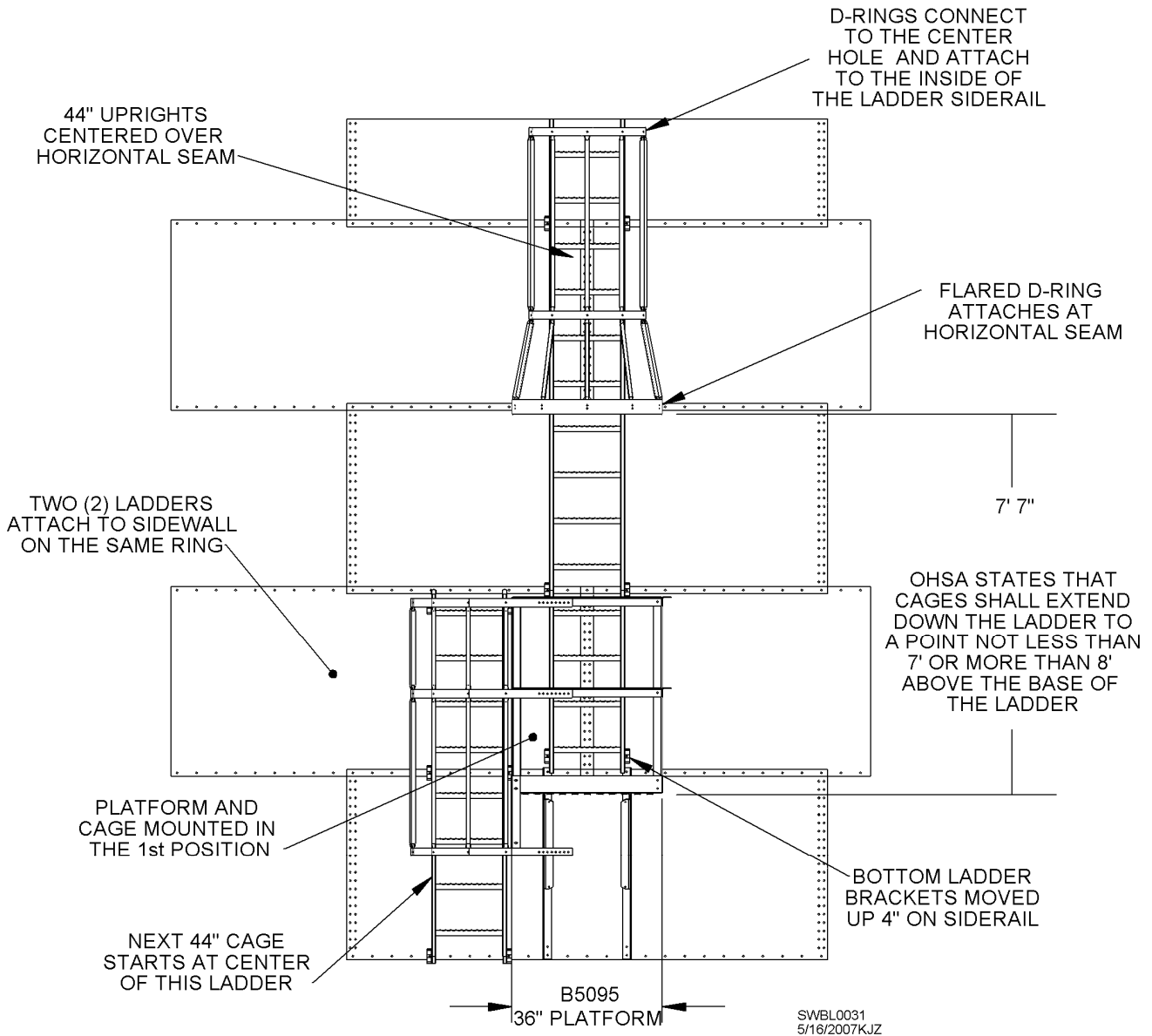


Fig. 18

Fig. 18 shows where flared D-ring should be assembled in relation to landing platform. When assembled correctly, flared D-ring should be two (2) sidewall rings above landing platform. **Landing platform must be attached to sidewall in 1st position.** This will ensure OSHA standards are met, as well as ease erection of ladder and cages. Two ladders attach to sidewall on same ring at landing platform location. Remember that at top and bottom of each ladder assembly, sidewall brackets need to be moved either up or down 4" to avoid interference with roof sheets, landing platform brackets, concrete, and ladder caps.

Landing Platform with Cage, 36" Platform

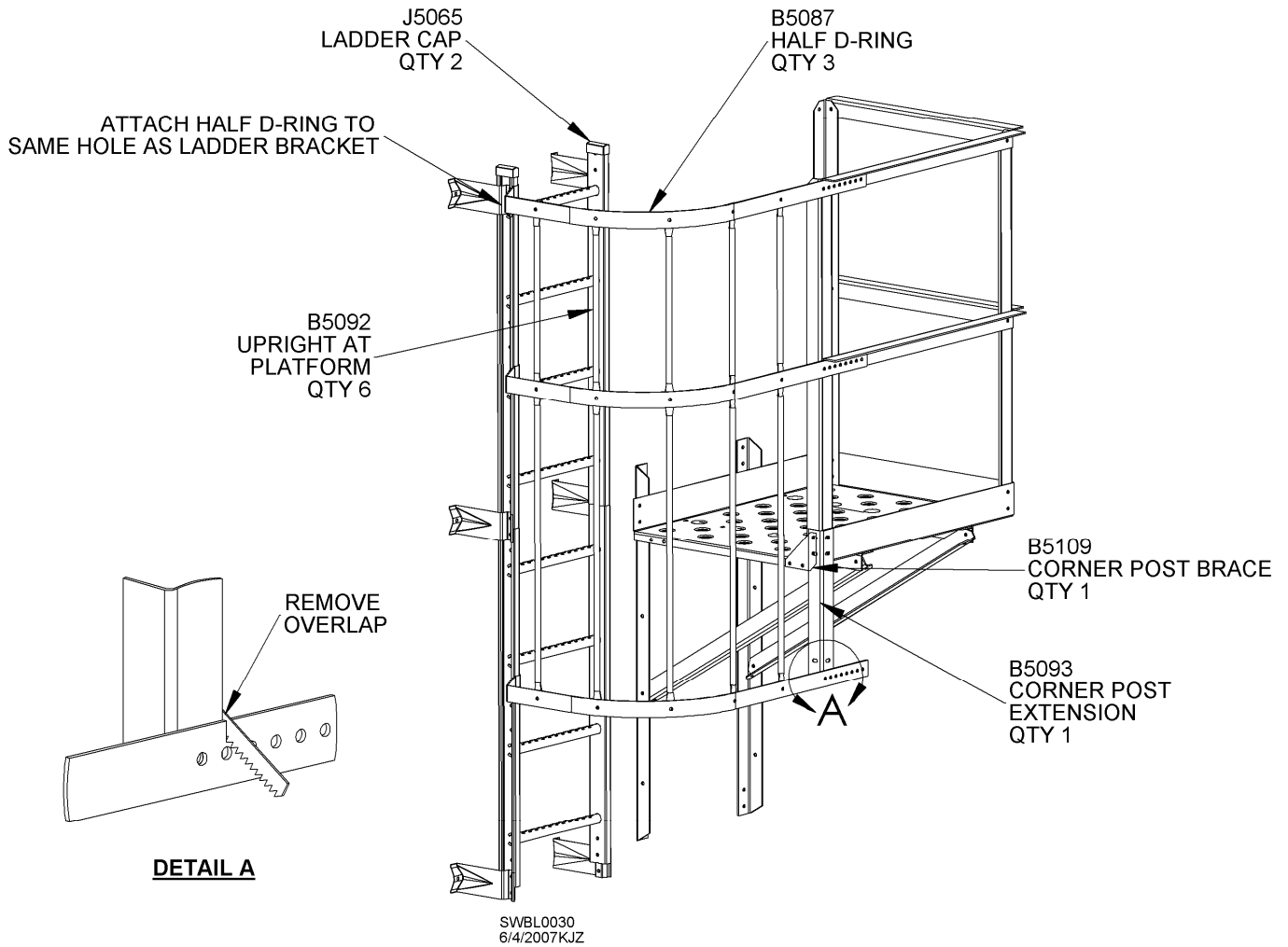


Fig. 19

Assemble landing platform to sidewall directly under ladder. **Mount landing platform in 1st position.** Attach 44" ladder in ring above platform to connect D-rings. Fasten corner post extension to bottom of open-faced corner post. Install half D-rings to inside of ladder siderail and fasten them to corner post and corner post extension. Connect safety cage uprights to D-rings with 3/8" hardware and tighten. Slide ladder caps over siderails of top ladder section. See Fig. 19. Also, remove D-ring overlaps to ensure smooth, snag-free edges.

54" Platform Locations

Fig. 20 shows the two positions where platform can be located. **NOTE:** Each location is at same level as a ladder rung in first ring. For both positions, 44" sidewall brackets mount to sidewall at horizontal seams. Field drilling is needed.

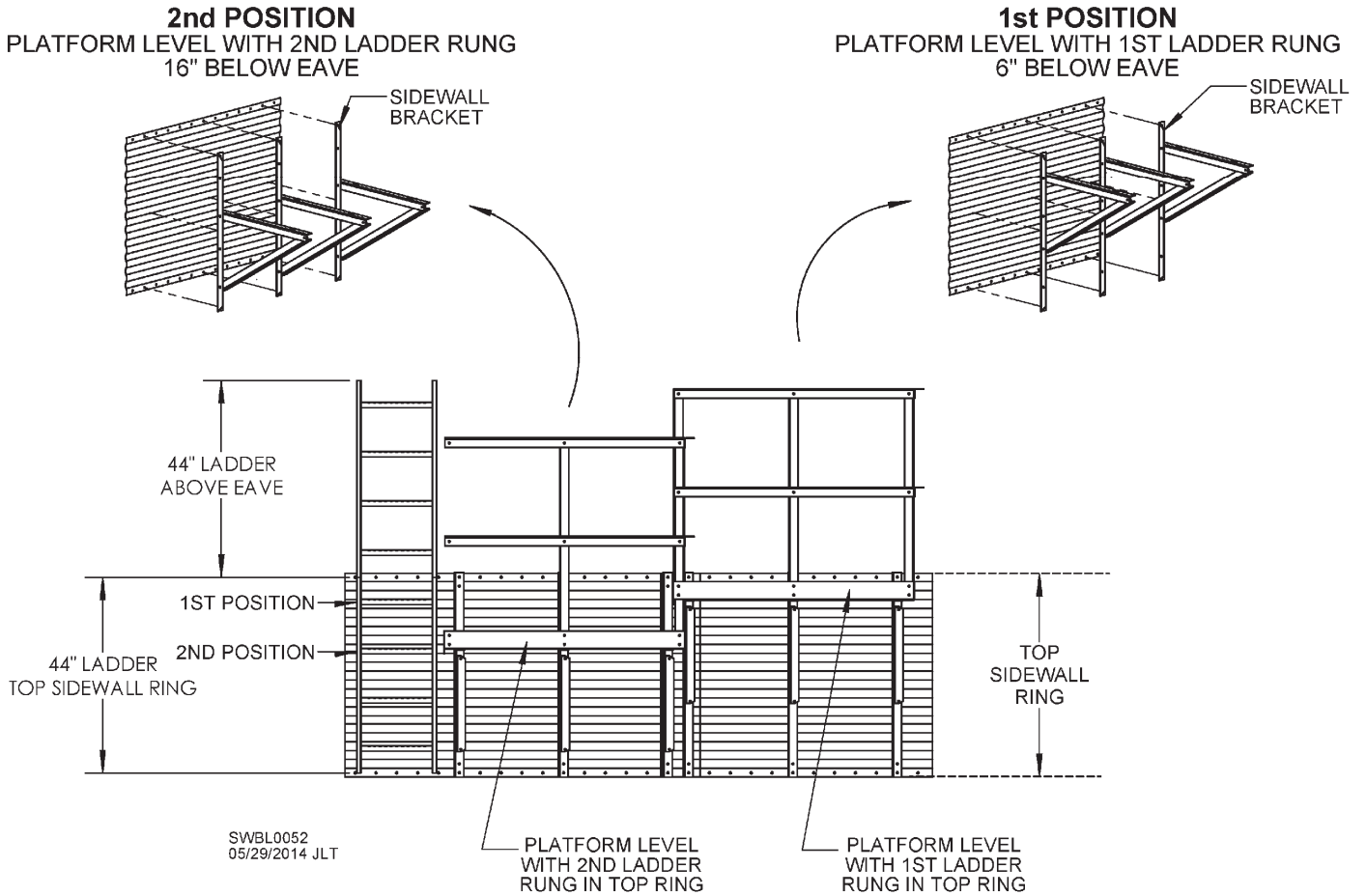
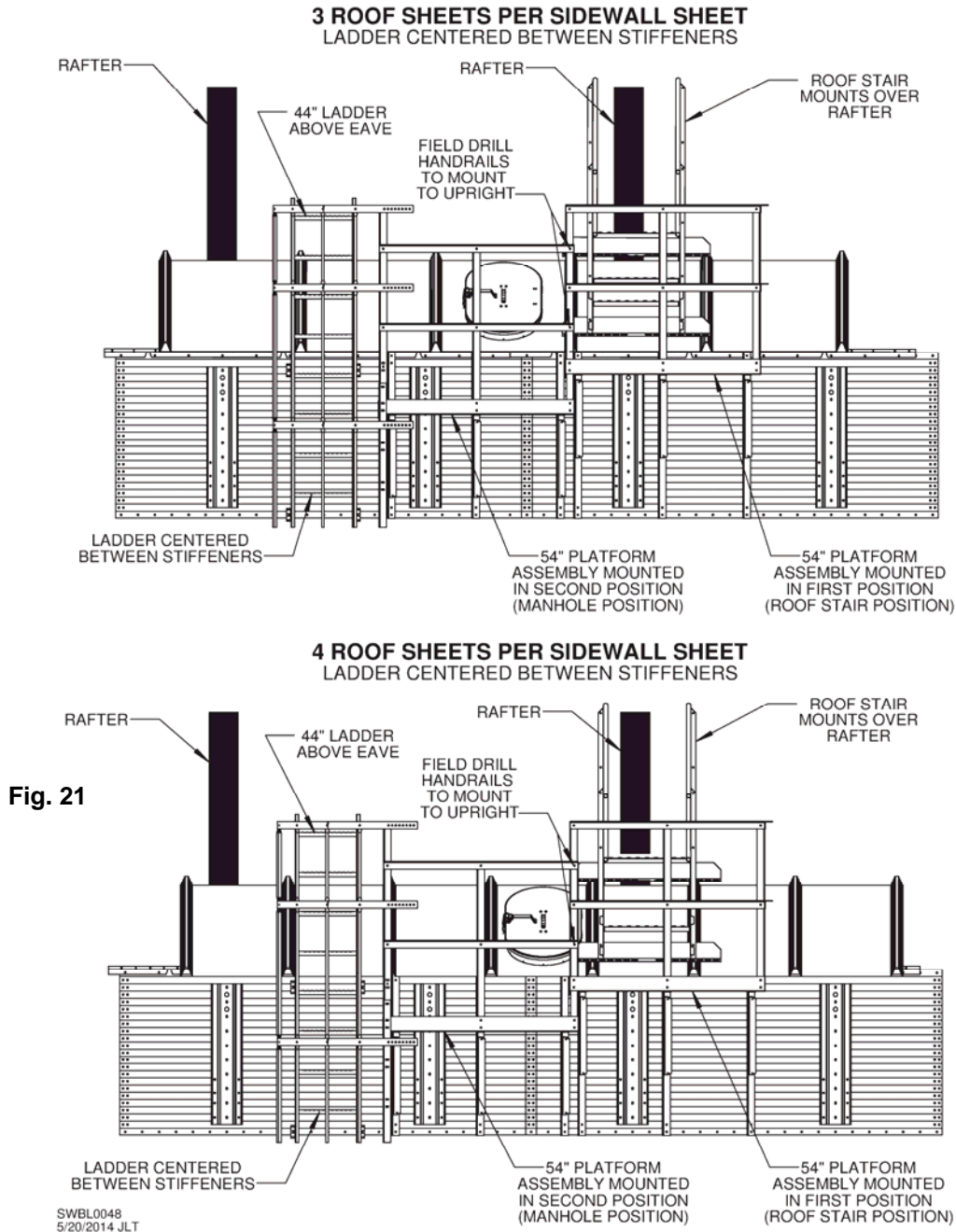


Fig. 20

54" Platform Starting Locations

The starting location of ladder is a critical factor in constructing a grain bin. Careful thought must be given to position of sidewall and roof ladders in relationship to overall layout of site and auxiliary equipment. Location of roof ladder and manhole during bin construction will establish location of sidewall ladder. Sidewall ladder and eave platform must be in line with roof ladder and manhole. Fig. 21 shows ladder and eave platform starting locations when either 3 or 4 roof sheets attach per sidewall sheet.

IMPORTANT: When attaching ladder and safety cages to a stiffened bin, locate ladders between two (2) stiffeners. When constructing bin with raftered substructure, be certain manhole is not aligned over a rafter. Suggestion: Locate roof ladder on roof sheet to right of primary rafter. Manhole can then be placed on sheet to right of roof ladder. This ensures that eave platform will be centered over a stiffener. Platforms are designed to ensure that when additional ladder columns are offset, they are not centered over a stiffener.



NOTE: Manhole platform should be mounted in 2nd position, roof stair platform should be mounted in 1st position.

54" Platform Assembly

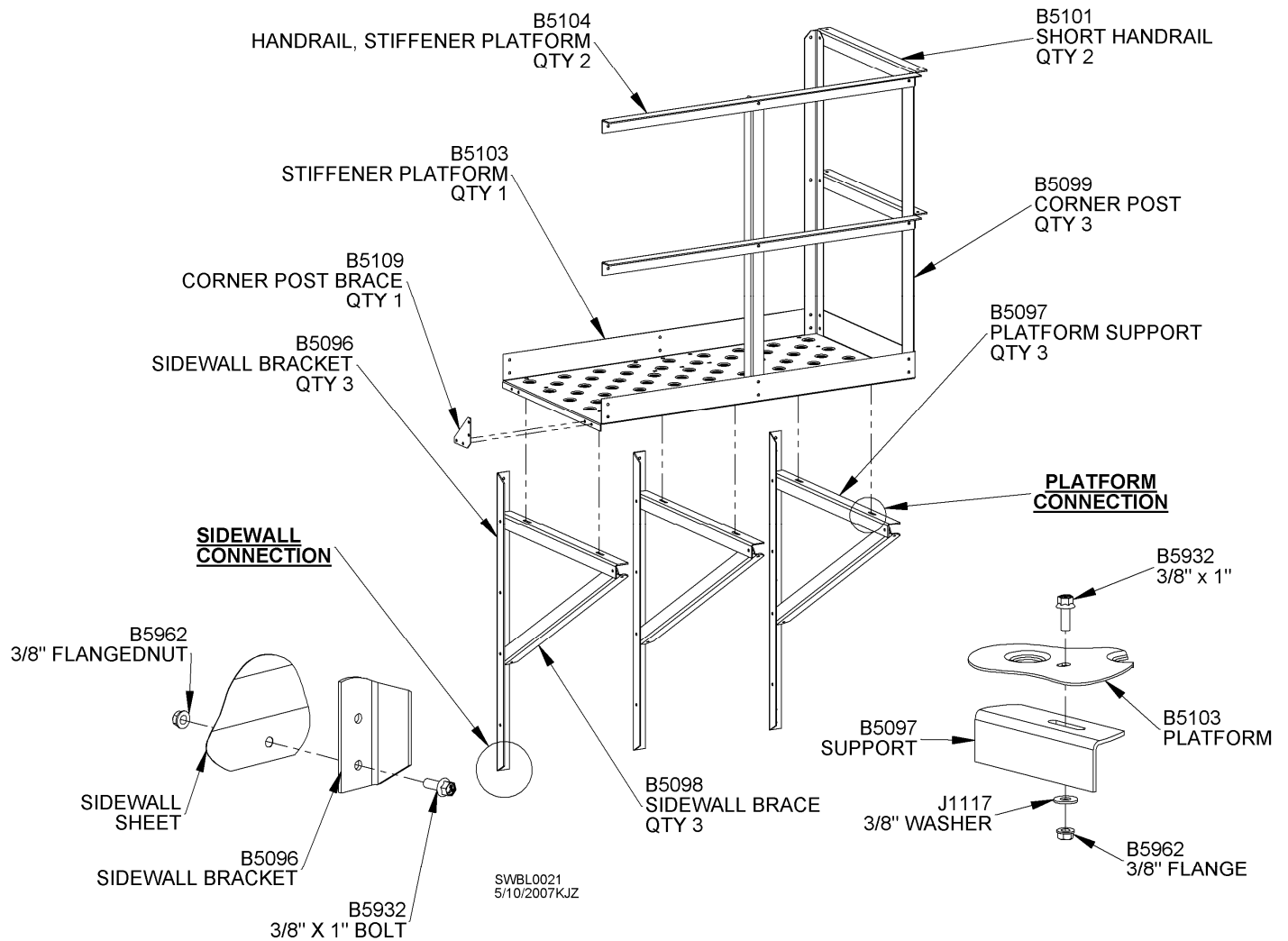


Fig. 22

Entire platform assembly is constructed with 3/8" hardware. Begin assembly of platform by attaching sidewall brackets to sidewall. Some holes may need to be field-drilled depending on which position was chosen. Attach platform support and brace angles to sidewall bracket at correct locations. **NOTE:** Leave all bolts loose until assembly is complete.

Attach platform to top of platform supports and fasten the three (3) corner posts to 4" toeboard. Fasten long and short platform handrails to corner posts. See Fig. 22. Only three (3) corner posts are shown. Platform and handrails will attach to extensions that will be connected to cage.

Top & Bottom Corner Post, 54" Platform

Fig. 23 shows the two locations where platform can be positioned. Top and bottom corner posts will not be moved vertically. Only the platform assembly itself will be able to move up or down on corner posts. **NOTE:** Top half D-ring fastens to top hole in top corner post and bottom half D-ring fastens to bottom hole of bottom corner post. See Fig. 23.

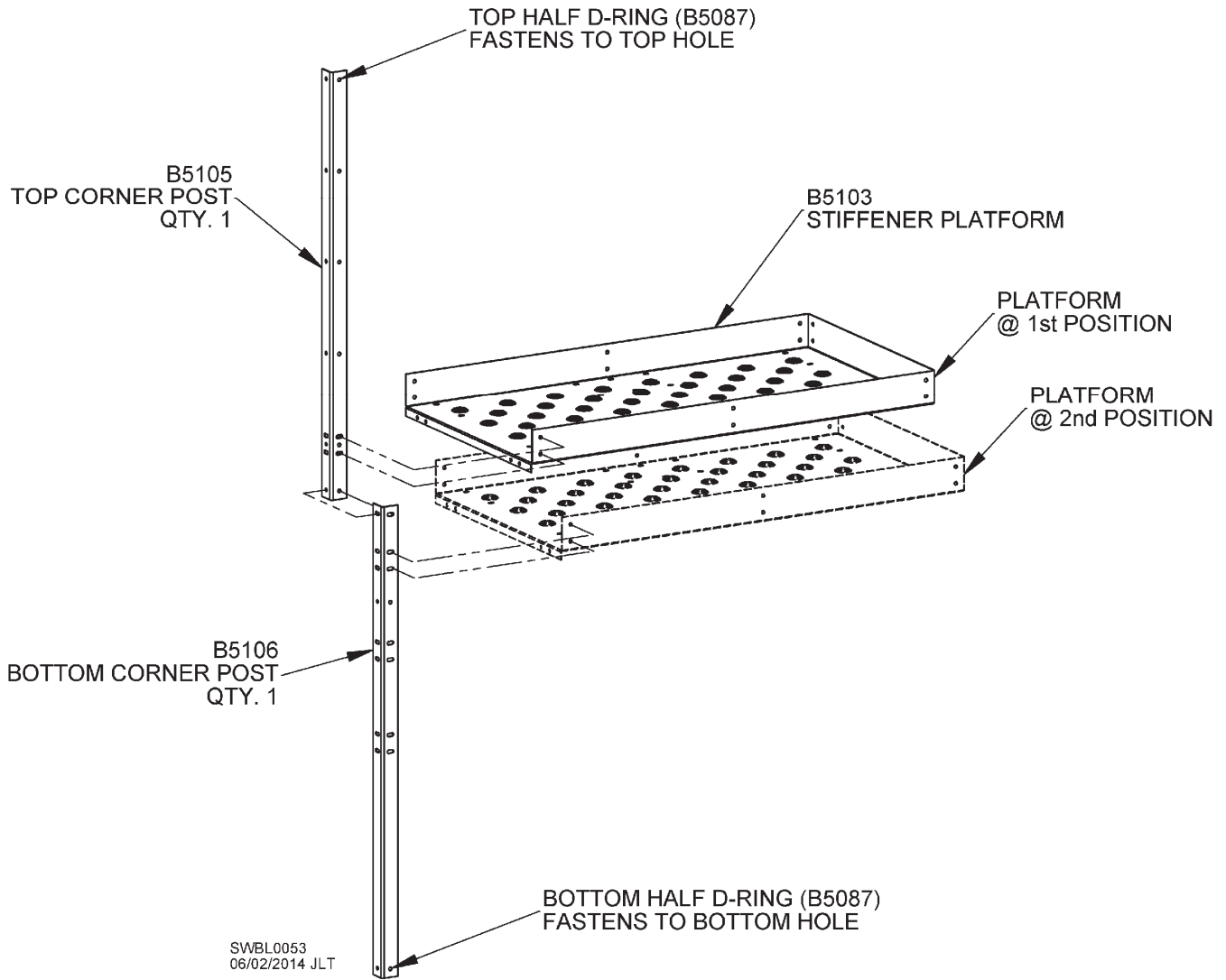


Fig. 23

Eave Platform Cage, 54" Platform

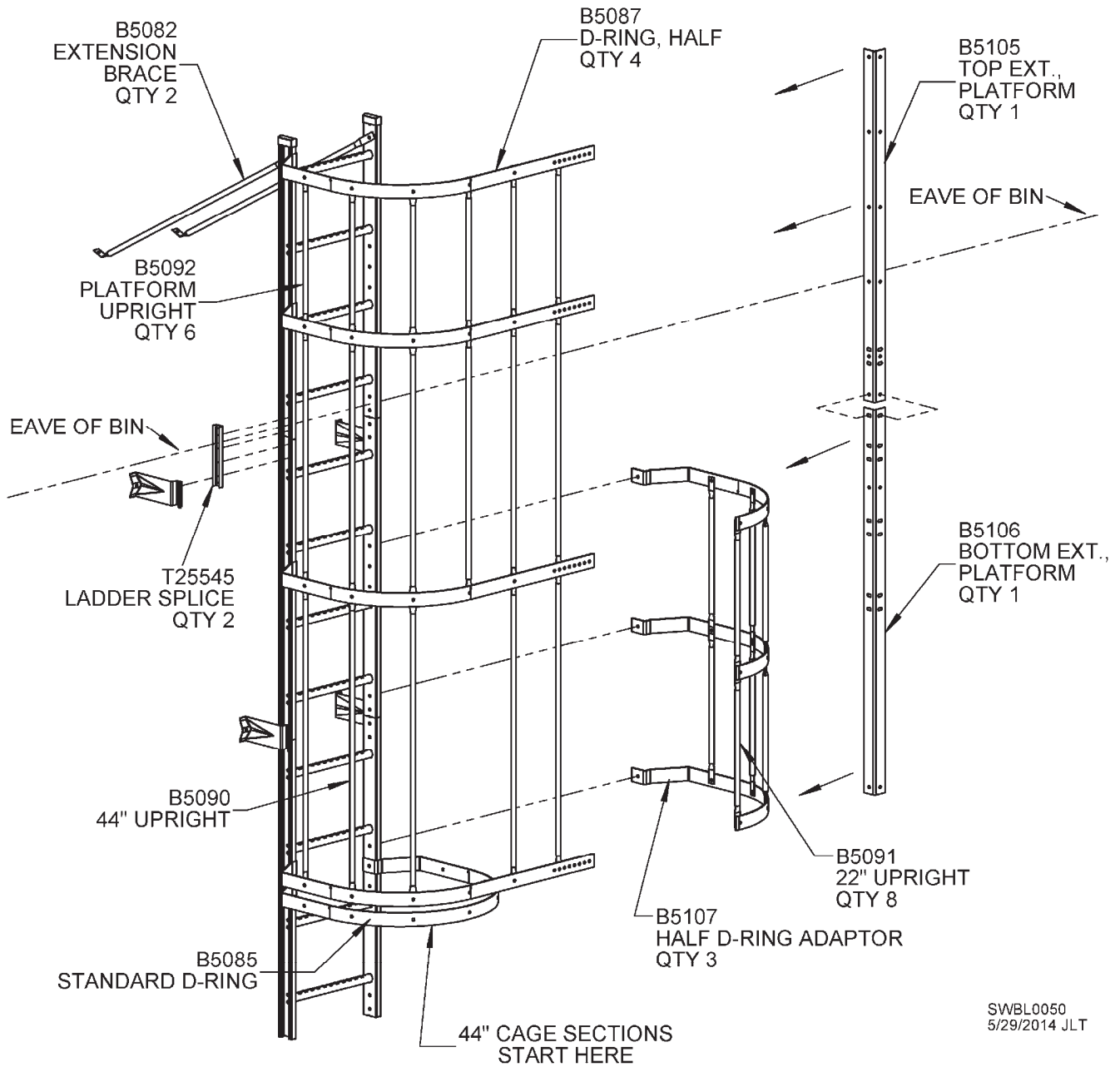
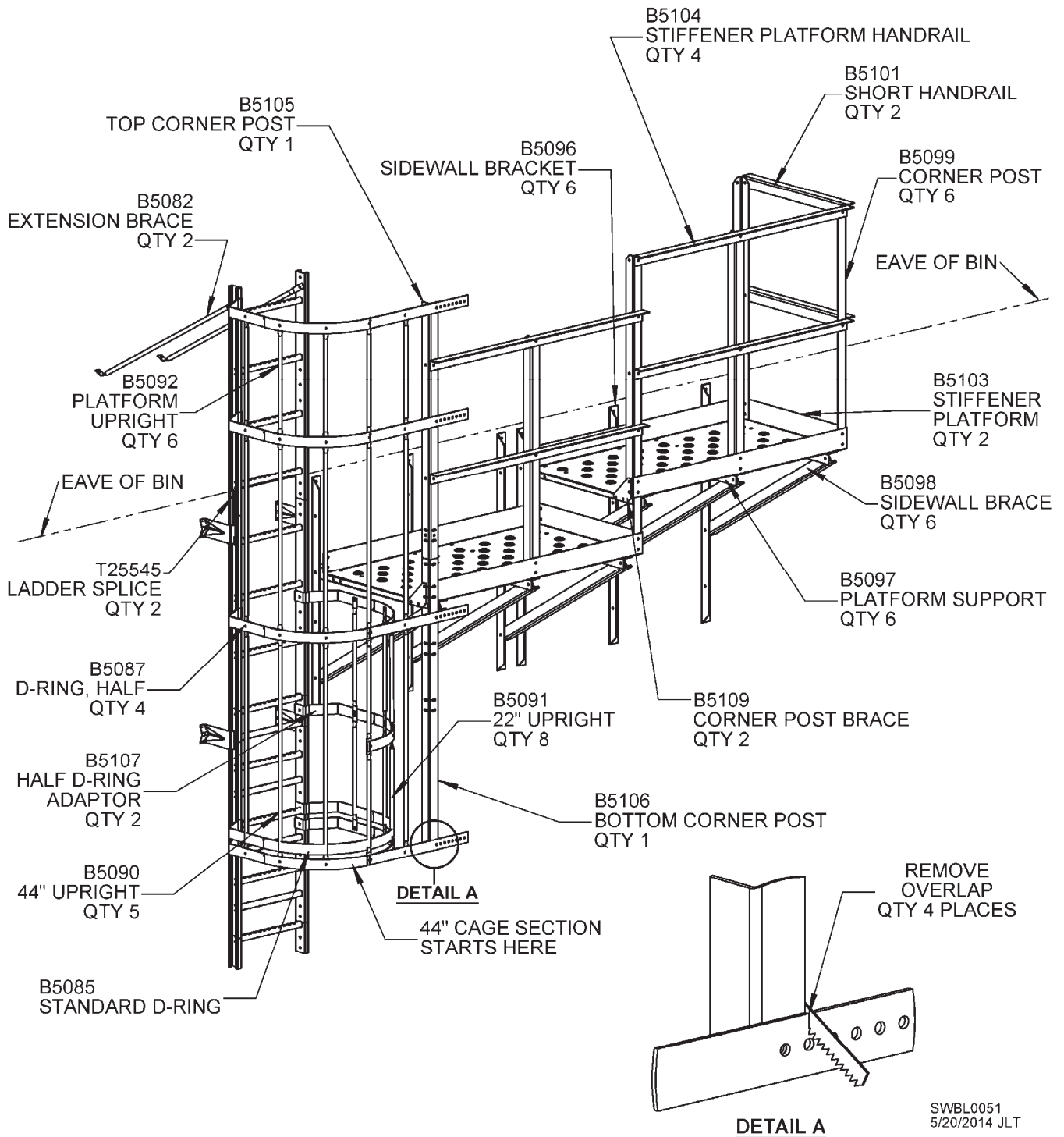


Fig. 24

When assembling cage to platform, top and bottom extensions must be attached to D-rings as shown in Fig. 24. Top portion of cage can be assembled first, but a second sidewall ring must be added before bottom extension is installed to finish platform cage.

Eave Platform Cage Assembly, 54" Platform



Final assembly of platform cage to corner post and platform is shown in Fig 25. Manhole platform is shown in 2nd position. Roof stair platform (also known as stiffener platform) is shown in 1st position. All cage and platform assemblies are connected with 3/8" hardware. Remove D-ring overlaps to ensure smooth, snag-free edges.

NOTE: Six (6) platform uprights and five (5) 44" uprights are sent with this assembly. Depending on diameter of bin, one upright may be discarded at each location where a half D-ring connects to a corner post. Be certain gap is no more than 9".

44" Cages with 22" Flared Bottoms

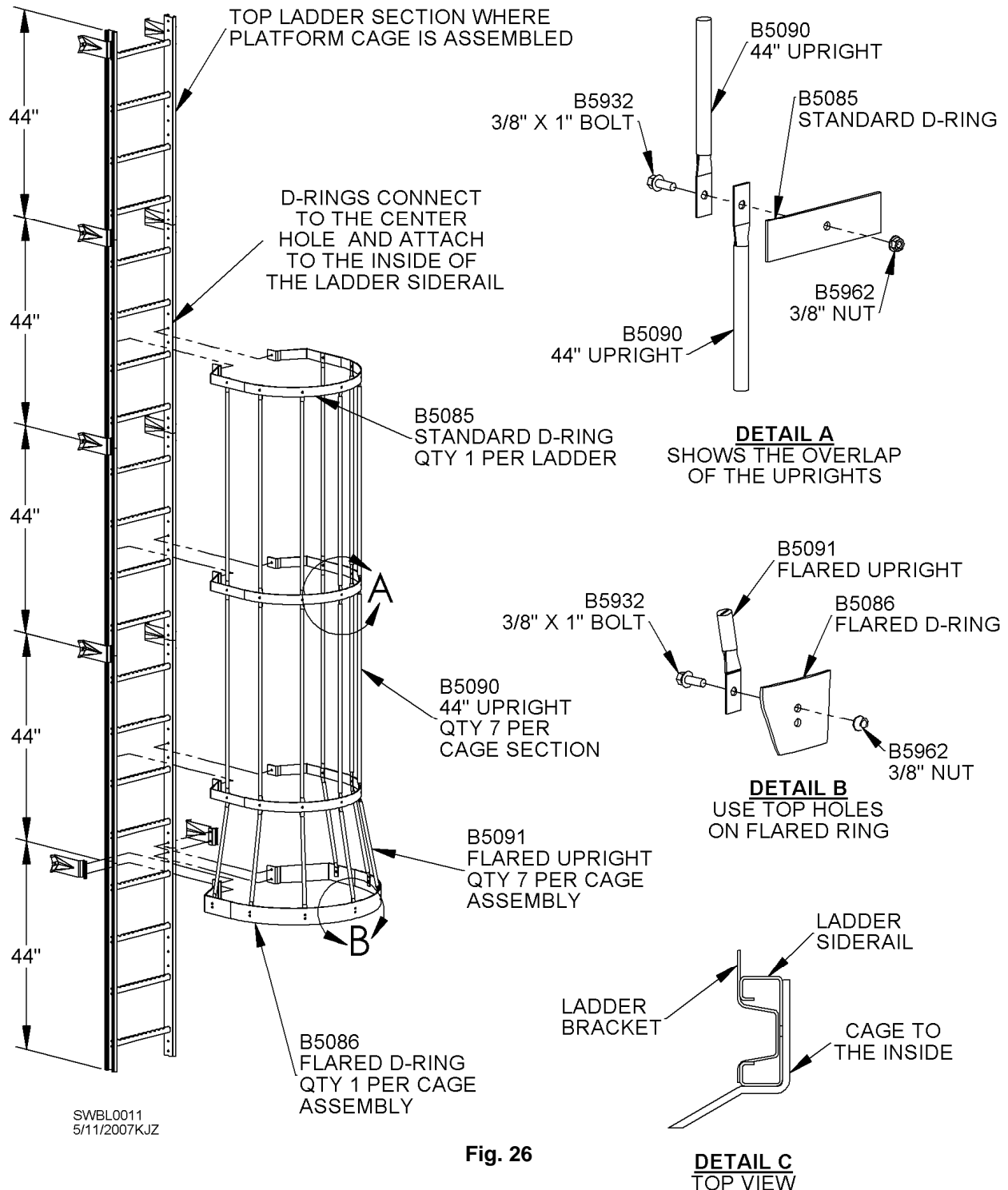


Fig. 26

As bin is built, continue to add appropriate ladder and cage sections. Refer to following pages for specific ladder and cage layouts. Cage sections consist of standard D-rings and seven (7) uprights. Standard D-rings attach to inside of ladder siderails. A flared D-ring is always used at bottom of each cage assembly. Top D-ring must be connected to center of top ladder. This allows bottom flared D-ring to be at proper height above the next surface (concrete or landing platform). Assemble standard D-rings and uprights to ladder sections with 3/8" hardware. See Fig. 26.

Landing Platform Layout, 54" Platform

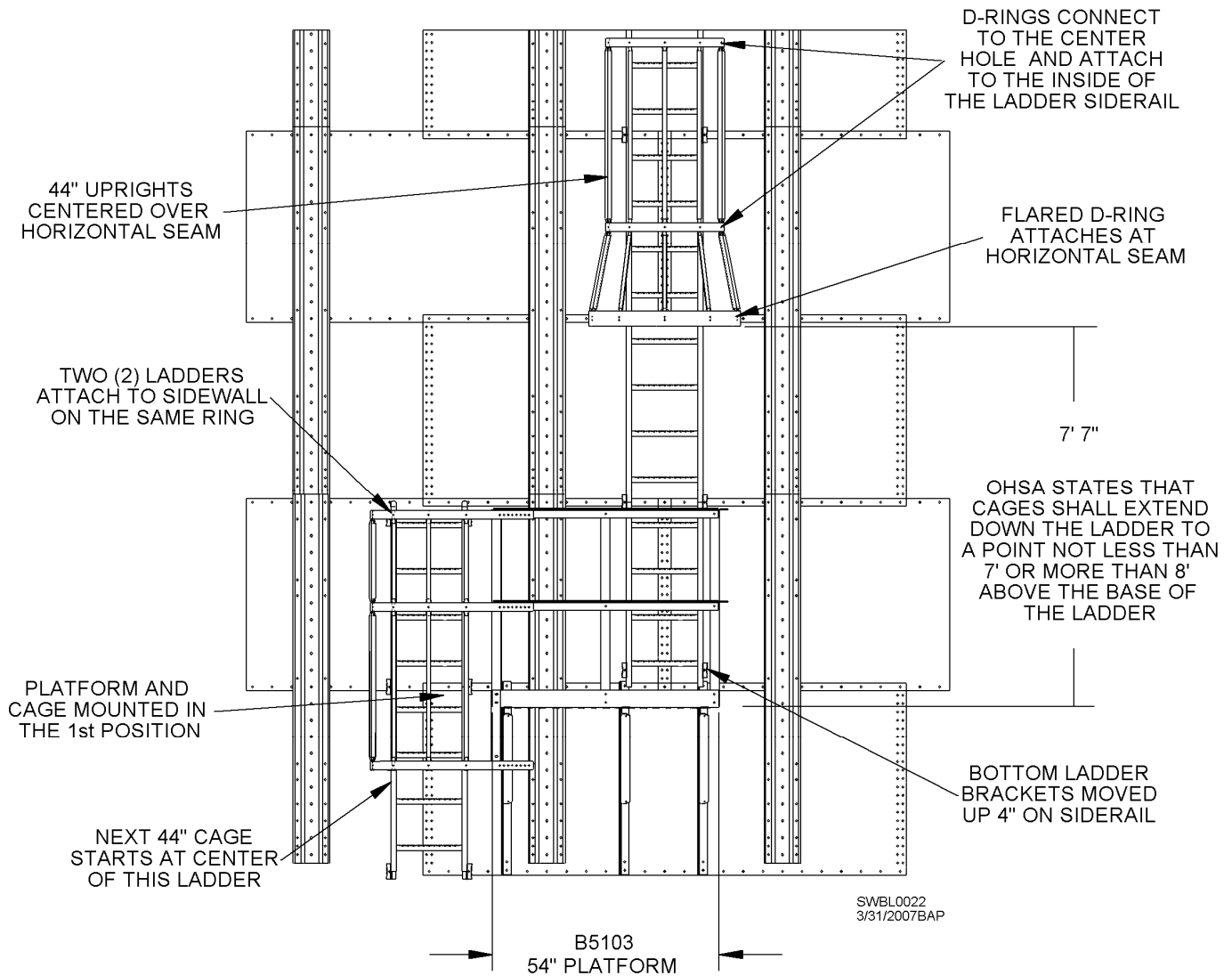


Fig. 27

Fig. 27 shows where flared D-ring should be assembled in relation to landing platform. When assembled correctly, flared D-ring should be two (2) sidewall rings above landing platform. **Landing platform must be attached to sidewall in 1st position.** This will ensure OSHA standards are met, as well as ease erection of ladder and cages. Two ladders attach to sidewall on same ring at landing platform location. Remember that at top and bottom of each ladder assembly, sidewall brackets need to be moved either up or down 4" to avoid interference with roof sheets, landing platform brackets, concrete and ladder caps.

To ensure that additional ladder columns will be centered between two stiffeners, attach landing platform to sidewall as shown in Fig. 27. Top ladder column should have already been centered between two stiffeners.

Landing Platform with Cage, 54" Platform

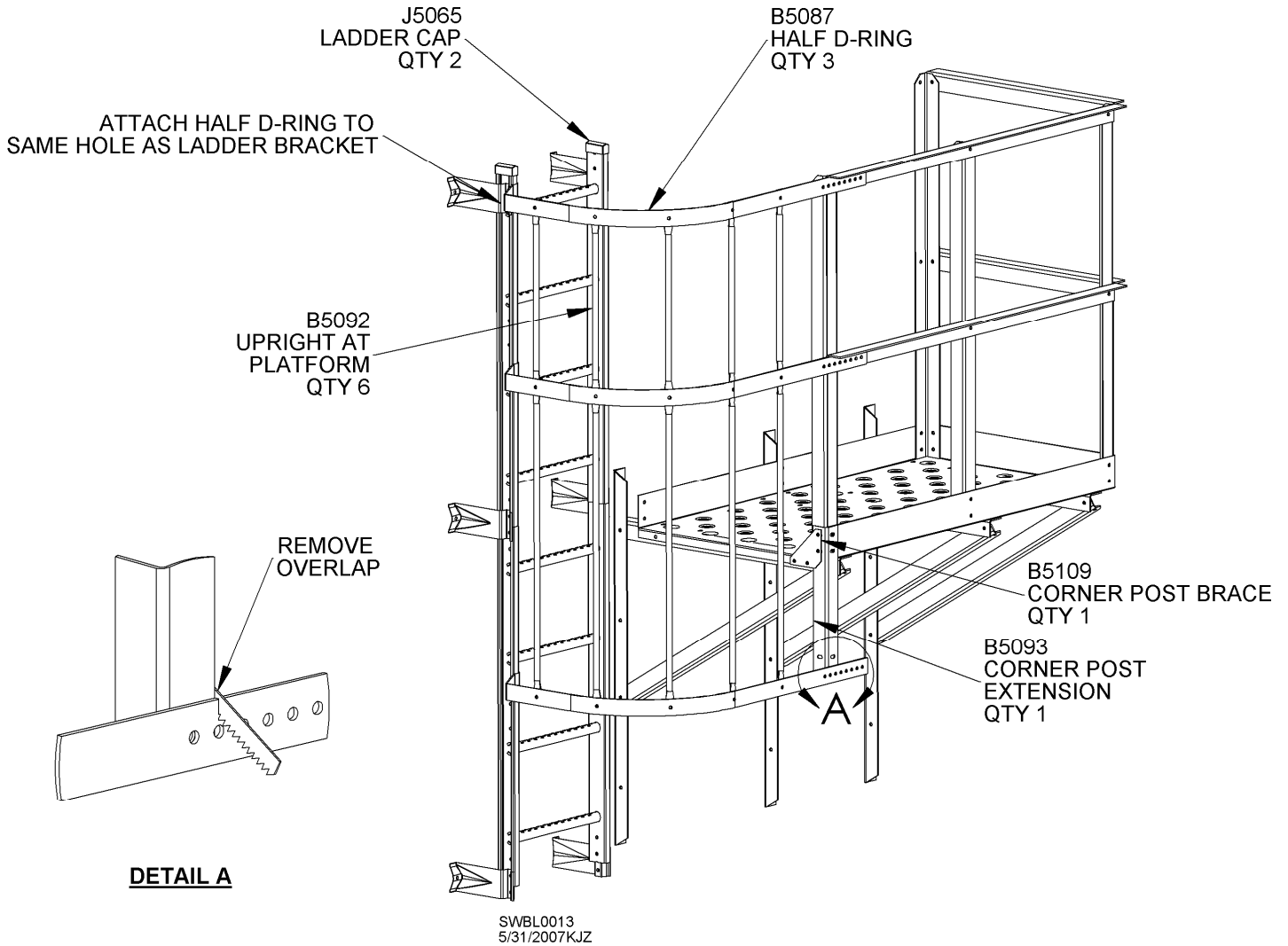
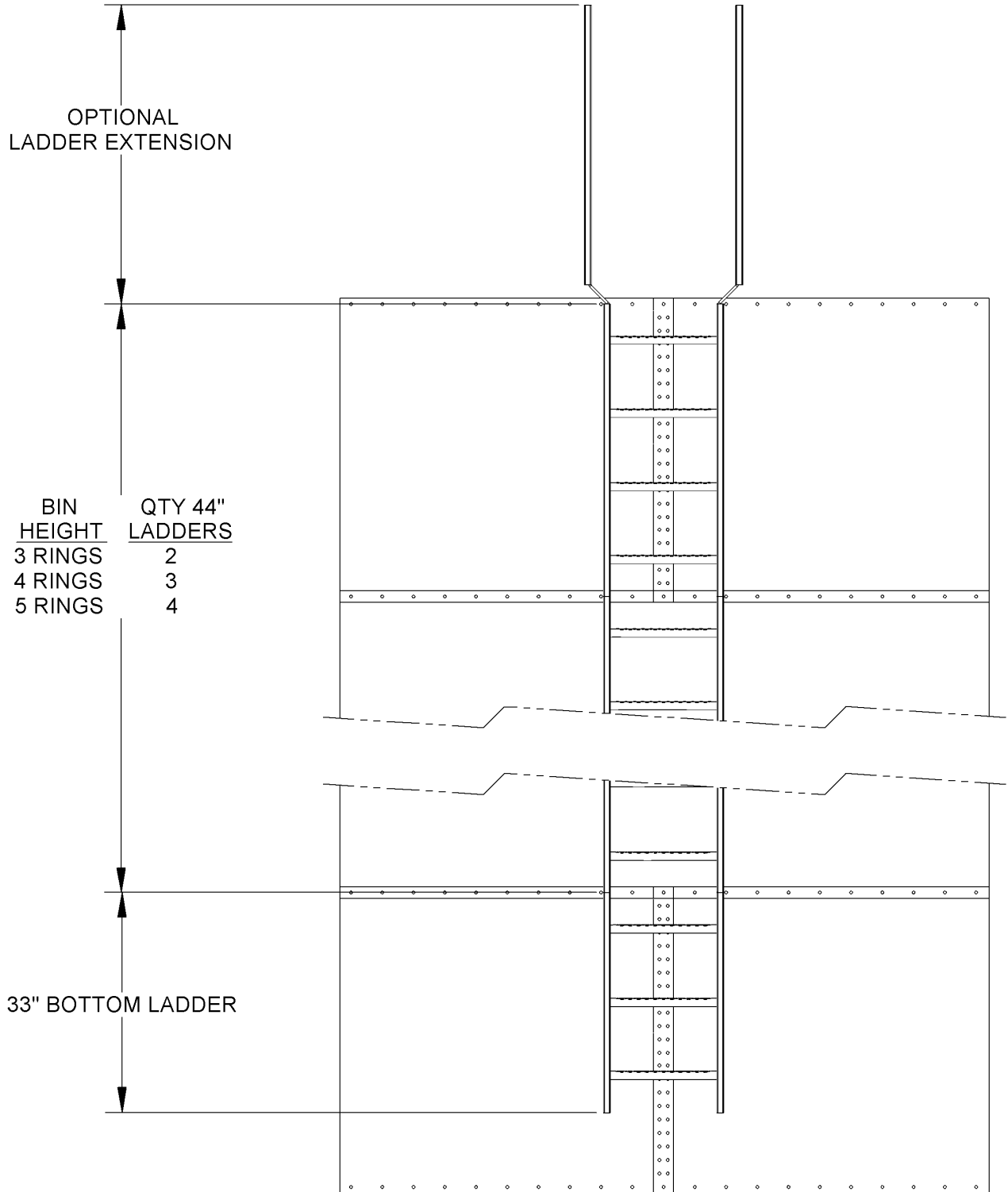


Fig. 28

Assemble landing platform to sidewall directly under ladder. **Mount landing platform in 1st position.** Attach 44" ladder in ring above platform, centered between two stiffeners to connect D-rings. Fasten corner post extension to bottom of open-faced corner post. Install half D-rings to inside of ladder siderail and fasten them to corner post and corner post extension. Connect safety cage uprights to D-rings with 3/8" hardware and tighten. Slide ladder caps over siderails of top ladder. See Fig. 28. Also, remove D-ring overlap to ensure smooth, snag-free edges.

Ladder Layout, 3-Ring to 5-Ring Bins



SWBL0037
7/11/2007KJZ

Fig. 29

Ladder & Cage Layout, 6-Ring to 9-Ring Bins

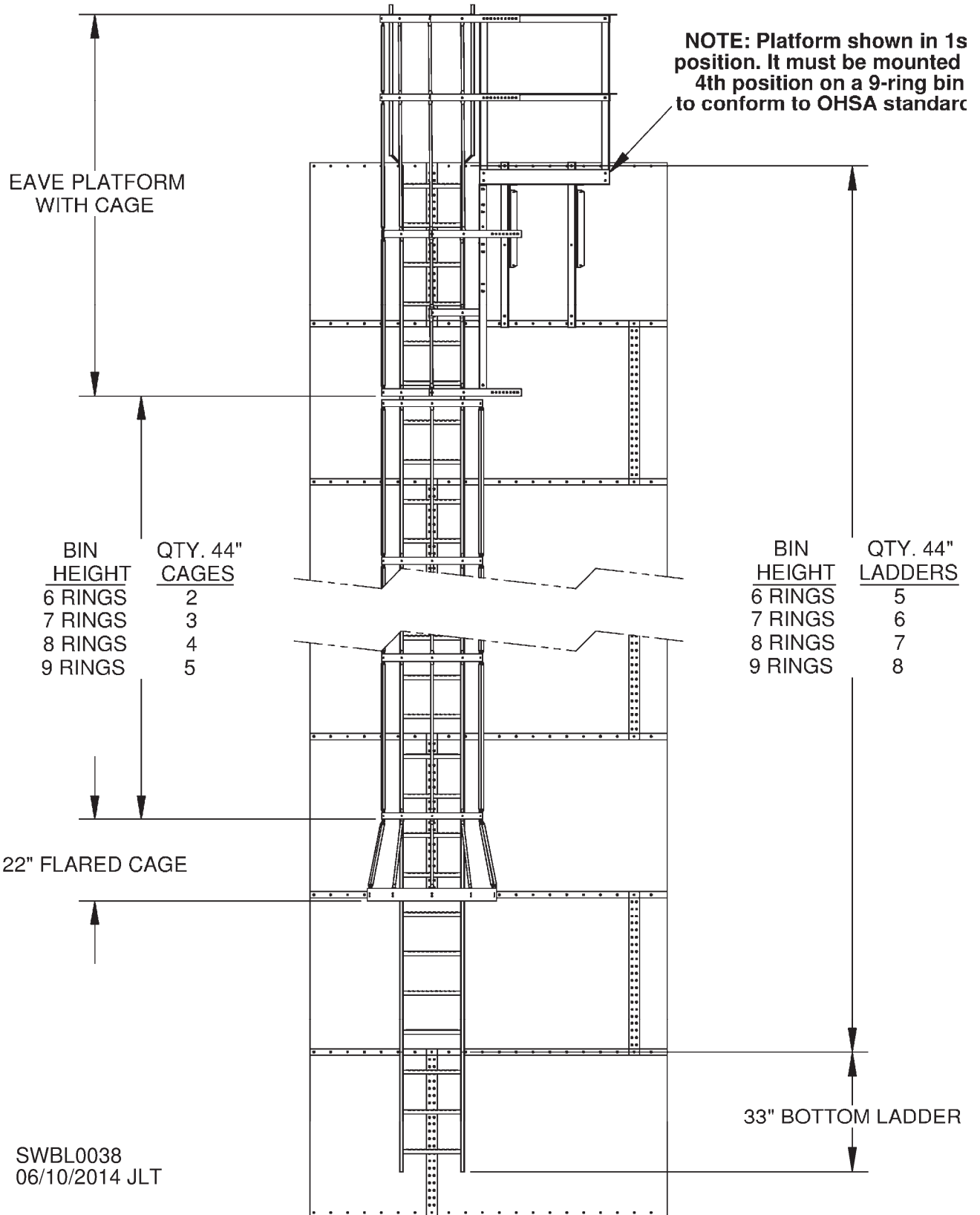


Fig. 30

Ladder & Cage Layout, 9-Ring to 16-Ring Bins

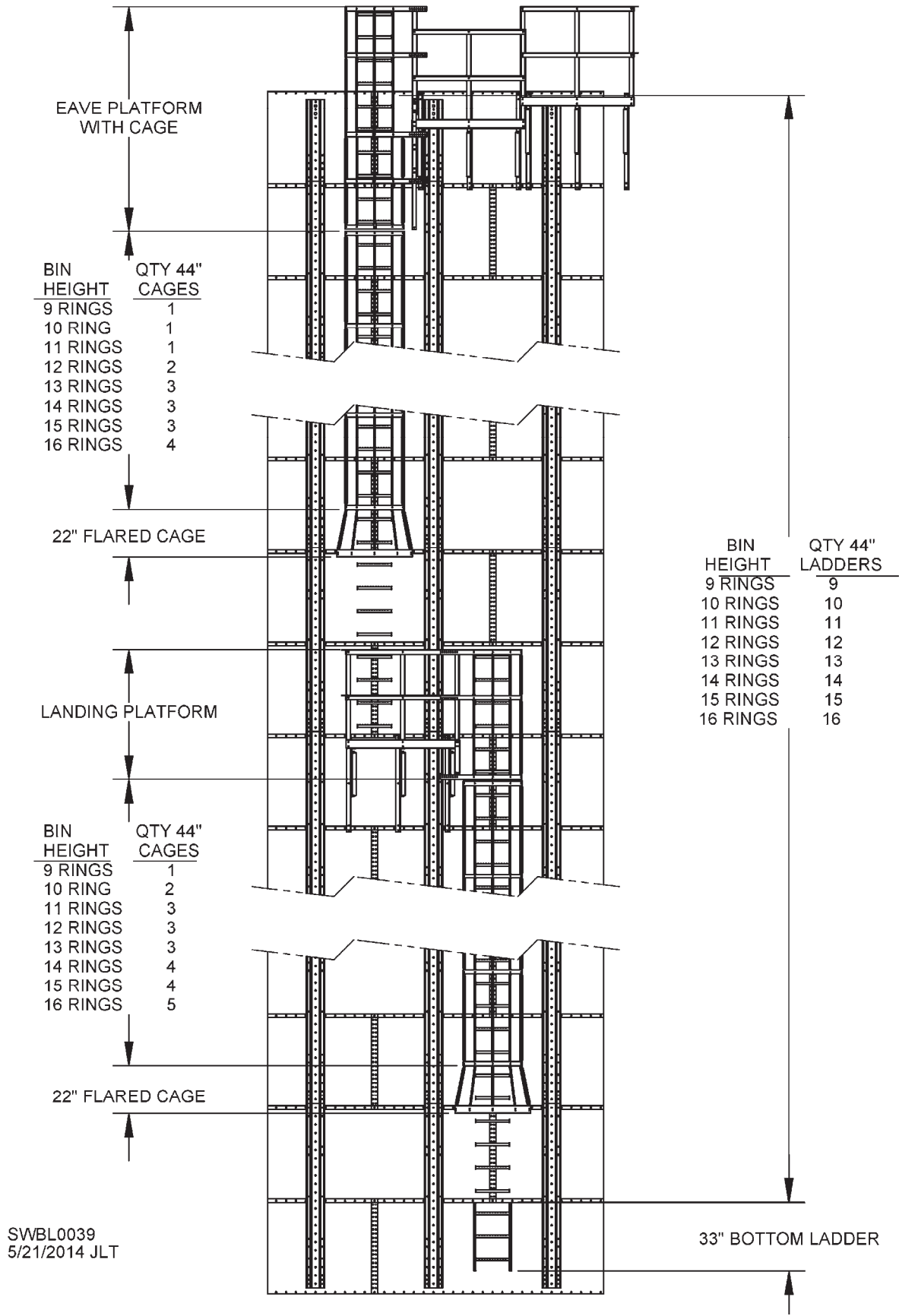


Fig. 31

Ladder & Cage Layout, 17-Ring to 24-Ring Bins

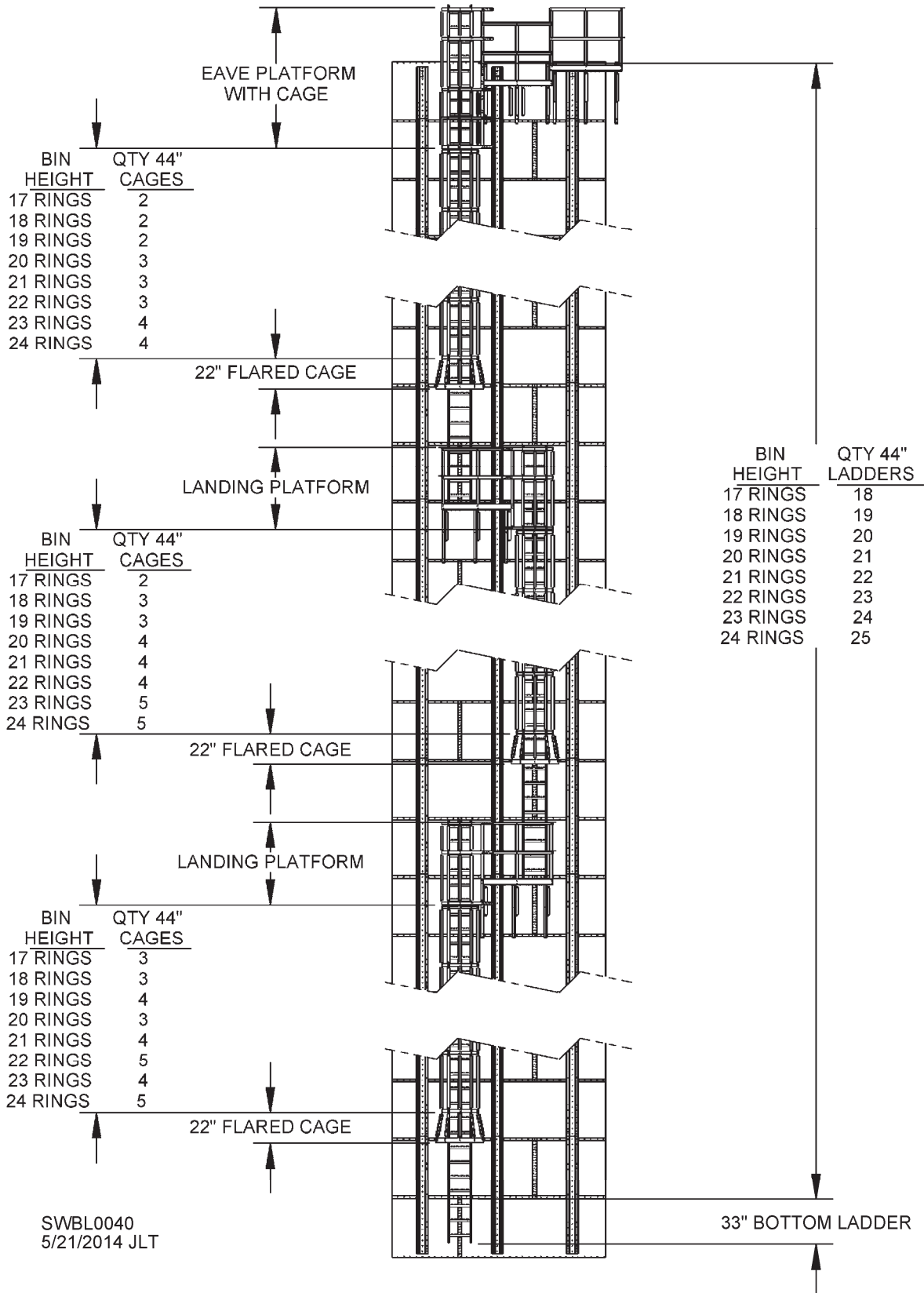


Fig. 32

Ladder Platform Swing Gate

Use drawings and parts list below to assemble ladder platform swing gate.

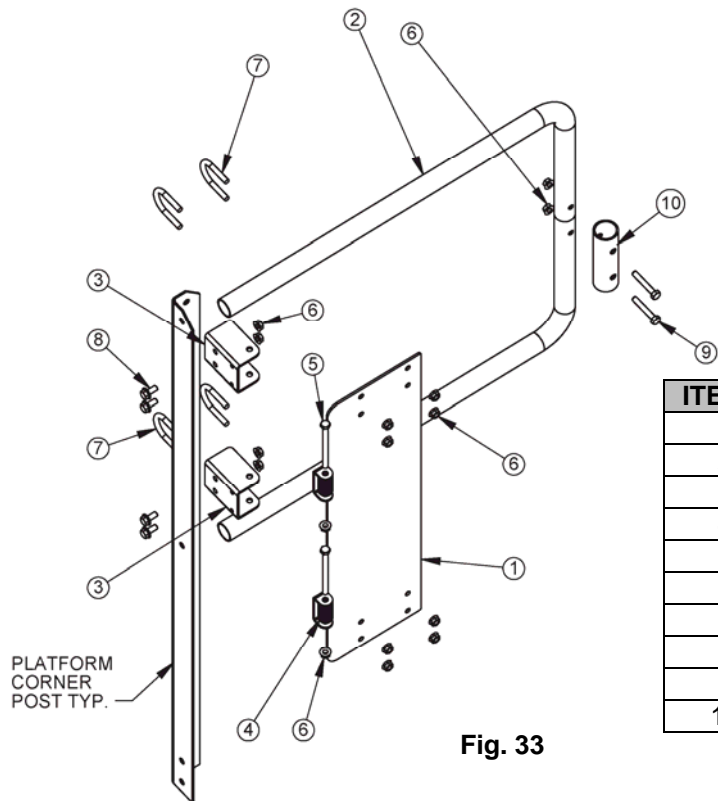


Fig. 33

ITEM #	DESCRIPTION	QTY.	COMP. #
1	Hinge plate	1	BSG0003
2	Rail tubing	2	BSG0001
3	Hinge bracket	2	BSG0004
4	Torsion spring	2	J23832
5	Screw, 5/16 – 18 x 4"	2	J0598
6	Flange nut, 5/16"	16	B5922
7	U-bolt, 5/16 – 18 x 2", 1-1/4" ID	4	J0556
8	Screw, 5/16 – 18 x 3/4"	4	J0522
9	Screw, 5/16 – 18 x 2"	2	J0584
10	Rail splice	1	BSR1015

Assemble swing gate and attach to hinge plate using U-bolts (J0556) and 5/16" flange nuts (B5922).

Field-drill holes in upright for attachment of hinge brackets (BSG0004). Top of upper bracket should be 4-1/2" from top of handrail as shown in Fig. 34.

Fasten hinge brackets to upright with 5/16 – 18 x 3/4" screws (J0522) and 5/16" flange nuts (B5922).

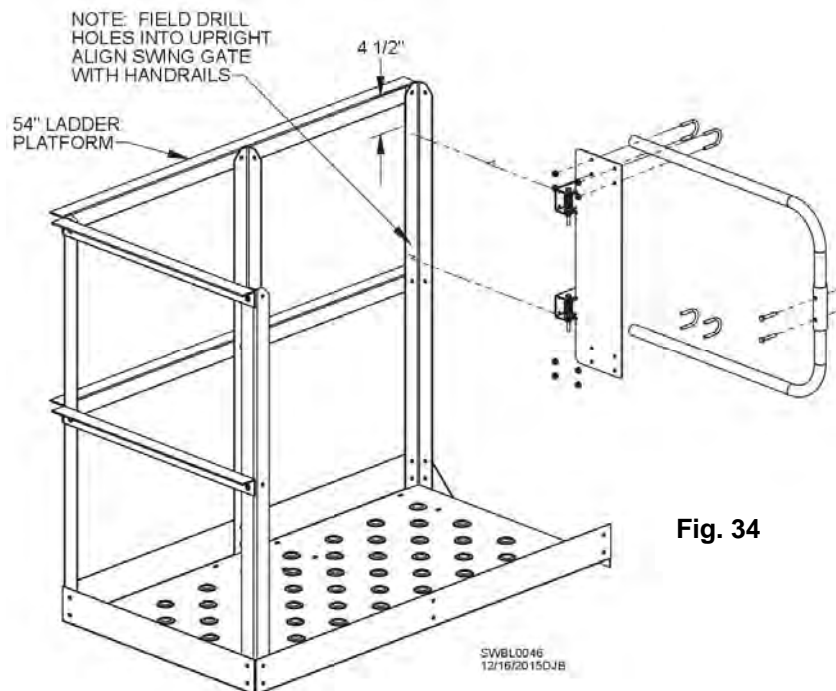


Fig. 34

SWBL0046
12/16/20 150JB

<p>GREENE GALVANIZED STAIRS www.greenebinstairs.com</p>	<p>GREENE Welding & Hdw., Inc. 41774 Main St. Box 191 • East Lynn, IL 60932 217-375-4244 • Fax: 217-375-4245</p>
---	--

Sidewall Stair assembly instructions

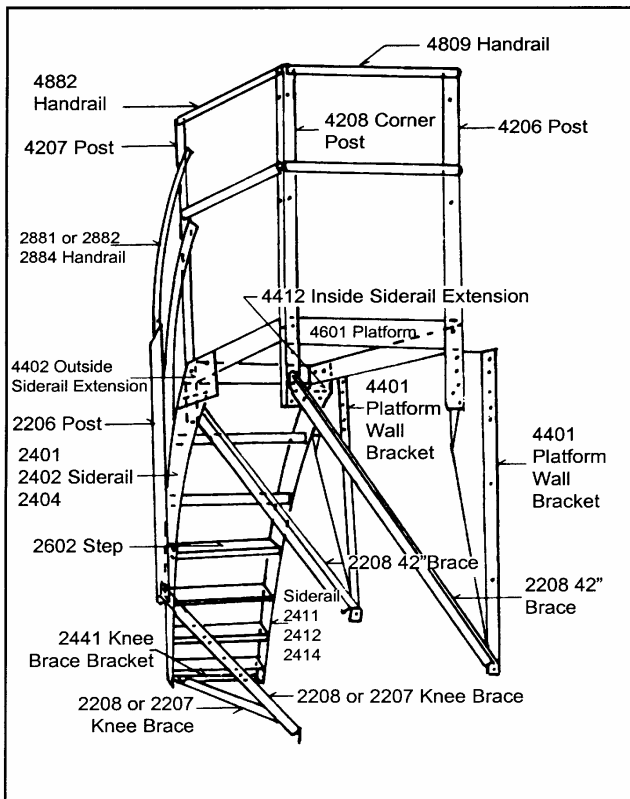


Side Wall Stairs Assembly

Before you begin, read these directions completely and carefully. Make sure you have all the necessary packages for installation (see chart 1)

CHART 1 The location of the platform is determined by using different packages for the top 2 rings of bin. Use the same number of sections as bin rings below the top 2 rings.

Ht of rings	5 1/2" below eave	16" below eave	26 1/2" below eave	Intermediate platform
44"	1-14400 44" section 1-13200 32" section 1-35000 platform	1-14400 44" section 1-12100 21" section 1-35000 platform	1-13200 32" section 1-12100 21" section 1-35000 platform 1-40000 booster step	1-13200 32" section 1-36000 intermediate platform
32"	1-13200 32" section 1-12100 21" section 1-35000 platform	1-14400 44" section 1-35000 platform	1-13200 32" section 1-35000 platform 1-40000 booster step	1-12100 21" section 1-36000 intermediate platform



	21" Stair Section 12000	32" Stair Section 13200	44" Stair Section 14400	Platform 35000	Intermediate Platform 36000	Twin Platform 37000	Ladder Platform 38000	Booster Step 40000	
1	1	1	1	1					2205 Wall bracket
1	1	1							2206 Baluster post 54"
1	1								2207 Knee brace 32" section 34 3/4"
		1	2	2	2				2208 Knee brace 44" section 42 1/2"
1	1								2401 Siderail outside 21" section 38"
		1							2402 Siderail outside 32" section 53"
1									2404 Siderail outside 44" section 70 1/4"
									2411 Siderail inside 21" section 35"
	1								2412 Siderail inside 32" section 50"
		1							2414 Siderail inside 44" section 65"
2	3	4	1						2441 Bottom knee brace bracket
									2602 Step 9 x 20"
2	2						1		2802 Booster step 7 x 20"
									2881 Handrail 21" section 34"
									2882 Handrail 32" section 51"
									2884 Handrail 44" section 67 1/2"
			1	2		1			4205 Post 9 1/2"
			1	1	2	1			4206 Platform post right 51 1/2"
			1	1	2	1			4207 Platform post left 51 1/2"
			1		1	1			4208 Platform corner post 51 1/2"
			2		2	2			4401 Platform wall bracket 37"
			1	2					4402 Outside siderail extension
			1	2					4412 Inside siderail extension
			1		1	1			4601 Platform
									4801 Side kickboard (optional)
									4802 End kickboard (optional)
			2		4	2			4809 Platform handrail 20"
			2	2					4882 Platform side handrail 39"
							1		5401 Right booster rail
							1		5402 Left booster handrail

Each package has a hardware package

On standard 32" or 44" sidewall bins the **35000 Platform** will go around the bin 4 bolt spaces or 37 1/2". The **12100** stair section will go around the bin 2 bolt spaces or 18 3/4". The **13200** Stair section will go around the bin 3 bolt spaces or 28 1/8". The **14400** stair section will go around the bin 4 bolts or 37 1/2". On bins with different size sheets the measurement will be the same but the bolt spacing may be

different. On these bins the wall brackets and kneebraces will have to be field drilled.

Regular platforms are 39" long and extend 26" from bin wall. All stair sections are 26" from outside siderail to bin wall and have a 6" wall bracket to hold away from the bin wall. The post and handrail will add another 1 1/2" to the width of the stairs and platform.

Installing Sidewall Stairs

Attach wall brackets (**2205** using the center hole of the wall bracket on the horizontal seam) and kneebraces to bin, using bin bolts with seals. If this is a new bin the brackets and sections can be put on as the bin is going up. If it is an existing bin install all the wall brackets and kneebraces on to the bin, then assemble and install the stairs starting from the bottom. One person can then climb the stairs as you are going up.

Installing stairs on a 44" sidewall.

Platform 5 ½" Below eave of bin. (See Fig. 1)

Use a **35000 Platform** on top.

Next a **13200 Stair section**.

Next a **14400 Stair section**. This is for the top 2 rings. Continue down the bin with **14400** sections. **Holes at the top of the Platform wall brackets will be field drilled.** The rest of the holes will fit on the horizontal hole punched in the bin.

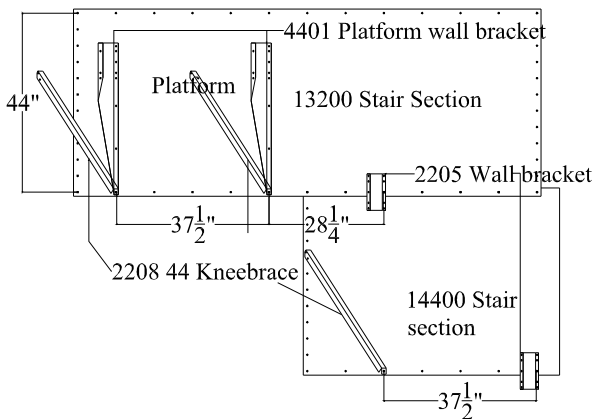


Figure 1 Platform at 5 ½" on 44" sheets

Platform 16" Below eave of bin. (See Fig. 2)

Use a **35000 Platform** on top.

Next a **12100 Stair section**.

Next a **14400 Stair section**. This is for the top 2 rings. Continue down the bin with **14400** sections. **Holes at the top and bottom of the Platform wall brackets will be field drilled.**

The rest of the holes will fit on the horizontal hole punched in the bin

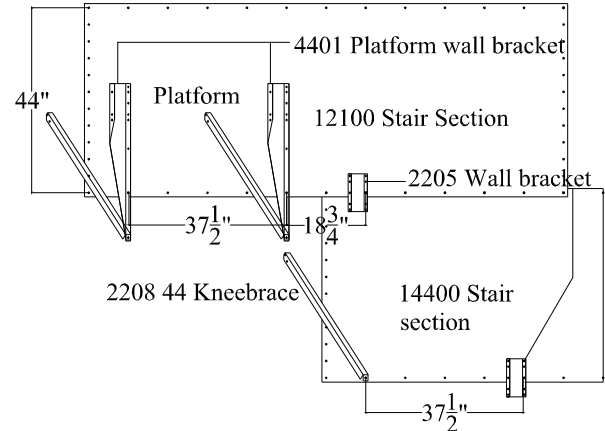


Figure 2 Platform at 16" on 44" sheets

Installing stairs on 32" sidewall

Platform 5 ½" Below eave of bin. (See Fig. 3)

Use a **35000 Platform** on top.

Next a **12100 Stair section**.

Next a **13200 Stair section**. This is for the top 2 rings. Continue down the bin with **13200** sections. **Holes at the top and bottom of the Platform wall brackets will be field drilled.** The rest of the holes will fit on the horizontal hole punched in the bin.

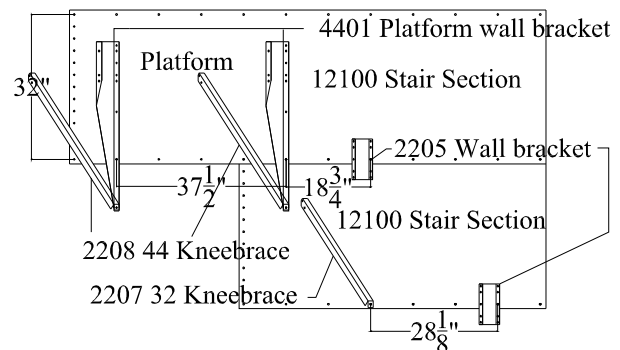


Figure 3 Platform at 5 ½" on 32" sheets

Platform 16" Below eave of bin. (See Fig. 4)

Use a **35000 Platform** on top.

Next a **14400 Stair section**.

Next a **13200 Stair section**. This is for the top 3 rings. Continue down the bin with **13200** sections. **Holes at the top and bottom of the Platform wall brackets will be field drilled.** The rest of the holes will fit on the horizontal hole punched in the bin.

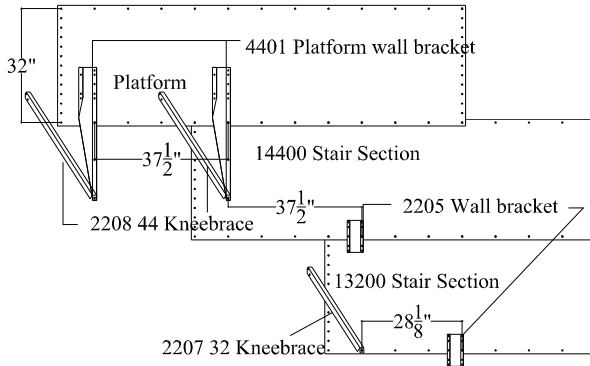


Figure 4 Platform at 16" on 32" sheets

The stairs and platform are assembled with 5/16 x 3/4 cap screws and 5/16 nuts. Use a 5/16 flatwasher on a slot.

Assembling the 35000 Platform. (See Fig.5)

After attaching wall brackets and kneebraces to the bin wall assemble the platform. First take the platform deck and attach the 4 corner posts. The post position will be determined by which way you are going around the bin.

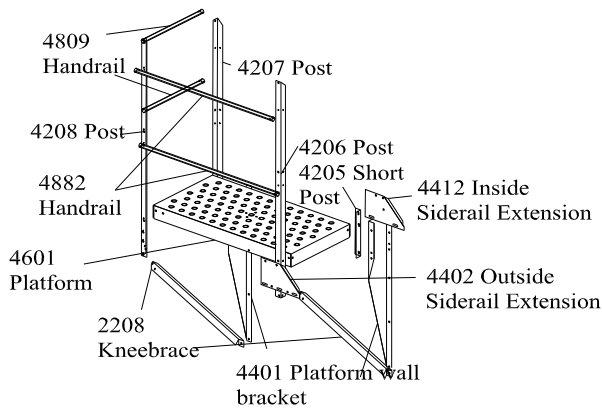


Figure 5 35000 Platform

Attach the inside and outside siderail extensions. The outside is the one with 7 holes.

Attach platform to the (4401) wall brackets and (2208) kneebraces on the bin. The top of the platform deck will be 3" above the top of the wall brackets. The kneebrace attaches to the platform post in the second and third holes from the bottom of the post. Attach the handrails. The handrails go on the outside of the posts and are attached with 5/16 x 1 1/2 carriage bolt and 5/16 whiz nuts. Tighten all bolts.

Assembling Stair Sections.

All of the stair sections go together the same way.

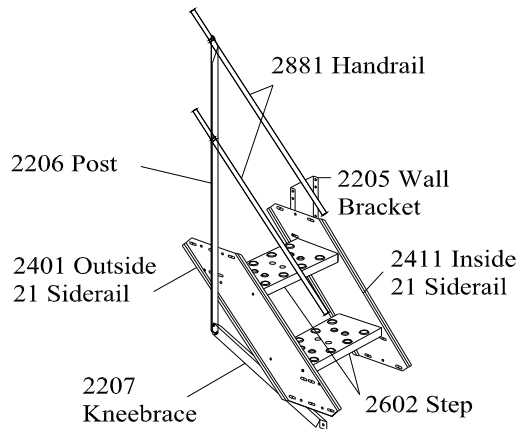


Figure 6 12100 Stair Section

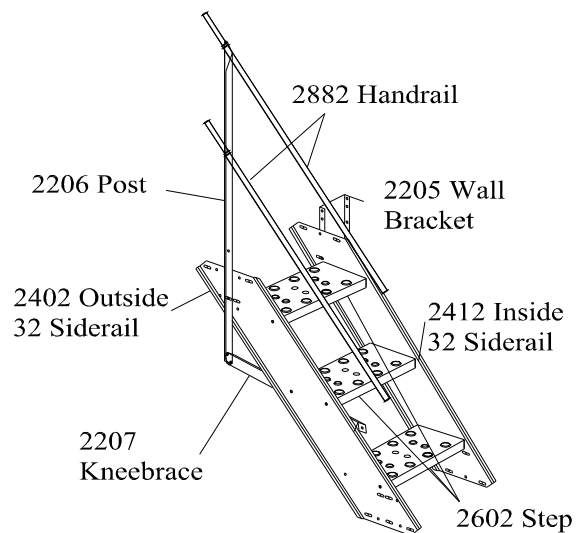


Figure 7 13200 Stair Section

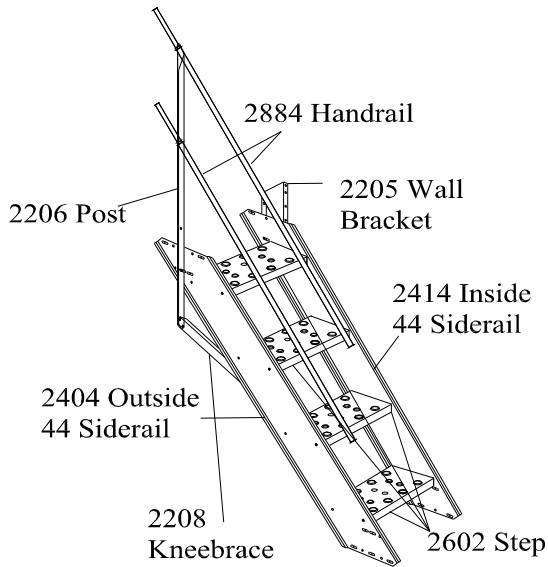


Figure 8 1440 Stair Section

Assembling sections

Attach the inside and outside siderails to the steps. The side of the step the siderails go on is determined by the direction the stairs go around the bin. The **Outside** siderail is the one with the 5 holes in the ends and is longer than the **Inside** siderail. Attach with the painted end up. The ends of the siderails will be parallel with the steps. On **14400** sections the outside siderail has slots where the upper and lower steps attach. The steps can be adjusted to fit the curve of the bin. These bolts will be tightened after the section is on the bin. Tighten the rest of the bolts.

Attaching sections to bin. (See Fig. 9)

Attach the inside siderail using the single slot (A and B) 4” from end of siderail to the wall brackets using the lowest hole (B) in the upper wall bracket and the highest hole in the lower wall bracket. (A)

Fasten the inside siderails together holes (C and D) using 5/16 bolts, nuts and flatwashers (since slots are present). At this time equalize the siderail on the slotted holes and tighten bolts.

Holes marked Note A is not used at this time.

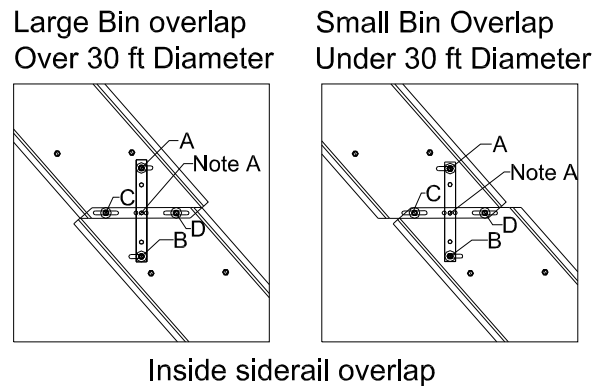


Figure 9

Attaching outside siderail (See Fig. 10)

Level the step farthest from the splice. Align the horizontal row of holes in the end of the siderail. There will be an offset in the upper and lower siderail depending on the diameter of the bin. The smaller the bin the longer outward lap, the larger the bin the longer the inward lap. Fasten the splice using the 2 most outward (E) holes that line up. Attach the post to the outside siderails using the upper and lower holes (F) of the set of 3. The center hole (Note B) is not used at this time.

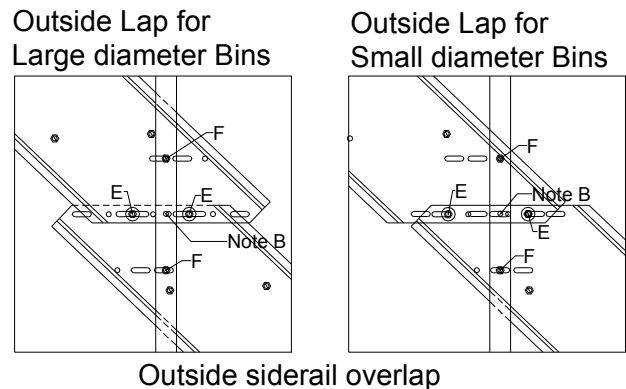


Figure 10

Attach the kneebrace to the end of the post. Level step and tighten bolts in outside siderail splice. Plumb post and tighten. Tighten all bolts in the sections. Attach the rest of the sections by repeating process.

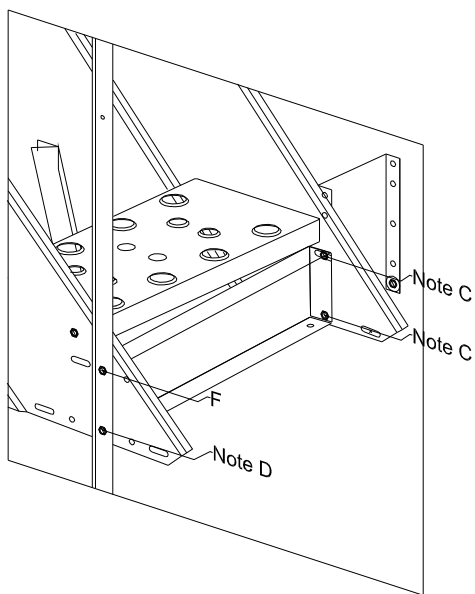


Figure 11

Bottom Knee Brace Bracket (See Fig. 11)

This item is shipped in the Stair Platform bundle but it goes at the very bottom of the stairs, place the long flange with the holes down. Attach to the inside siderail and the wall bracket using holes marked Note C. **This is the only time the hole marked Note A from figure 9 is used.**

Attach to the outside side rail and post using holes marked F and Note D. **(This is the only time this hole marked Note D is used).** Using the kneebrace that was replaced at the top section attach the kneebrace to the hole in the lower flange of the kneebrace bracket near the outside rail. Level step. Field drill the hole in the sidewall for the other end of knee brace and attach to bin wall. Tighten all bolts.

Attaching handrails

After all the sections are installed. Attach handrails. The stair handrails need to be arched to fit bin diameter. They should be arched so that the curve will match the side of the bin. As a guide place the handrail against the holes that the wall brackets are attached to. The upper rail should go on the outside of the post. The lower rail goes on the inside of the post. The handrails have 1 starter hole in the large

end. Check position of hole before bending handrail. Beginning at the bottom and progressing up the stairs attach the handrail with a self drilling stitch screw.

Read and follow directions carefully for installation. We are not responsible for damage or accidents caused by improper installation.

Our stairs are designed to hold one person and weight one person can carry per set.

Installing 36000 Intermediate Platform

The **36000 Intermediate Platform** will add one step to the rise of the stairs. The section above or below will need to be one step shorter. On a 44” sheet bin a **13200** section will be used either above or below the Intermediate Platform. On a 32” sheet a **12100** will be used.

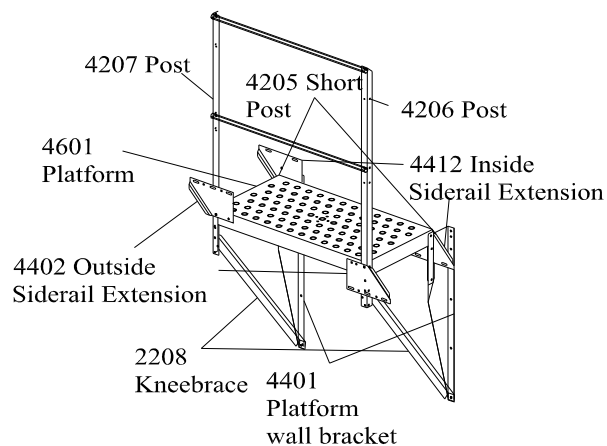


Figure 12 36000 Intermediate Platform

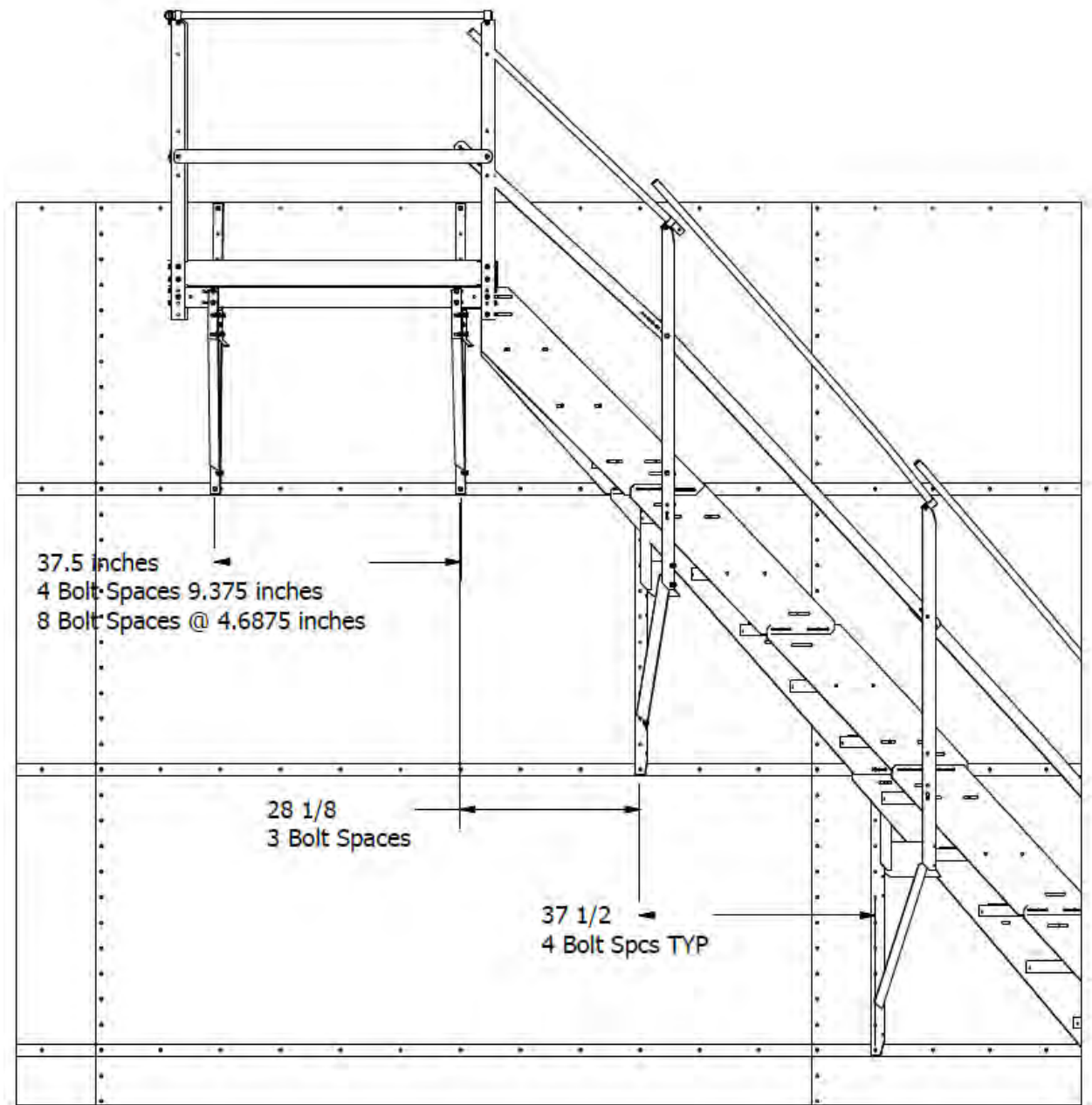
Easy Step Instructions



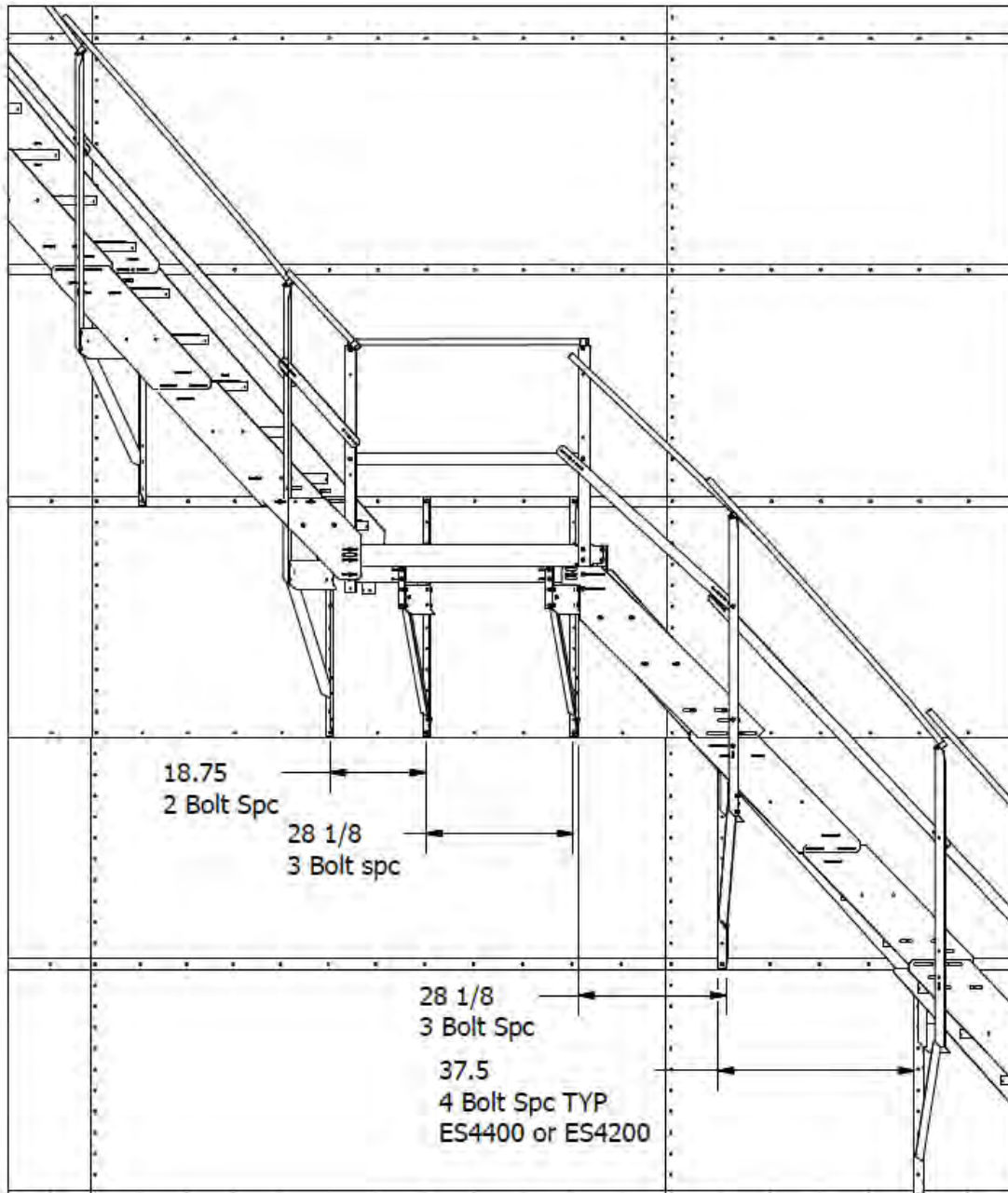
Please read this entire sheet before starting to avoid the need to disassemble and redo steps.

1. Platform Layout

ES3544 Platform rests 12" below the eave and the A-frame brackets are 4 bolt spaces apart (37 1/2"). It is recommended to place two thirds of the platform under the roof ladder with the remainder under the manhole. The ES2600 Stair Section attaches to the platform and has an A-frame 3 bolt spaces (28 1/8") from the platform A-frame. This Stair Section is included in the ES-3544 platform package.

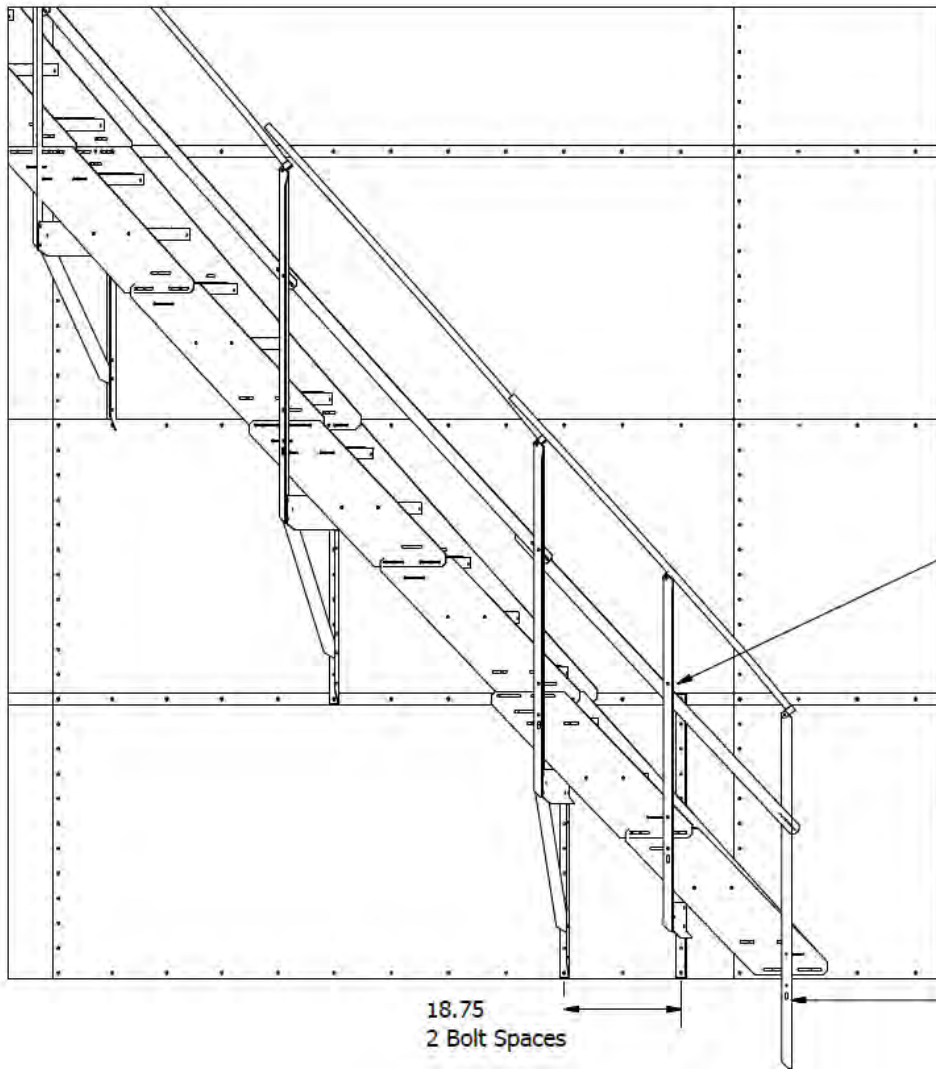


2. Intermediate Platform Layout



1. The platform should be laid out with the longer end toward the upward run of the stairs.
2. From the top down, the wall brackets are spaced 2, 3, 3 in terms of bolt spaces
 - **Two** from the last stair section
 - **Three** from the first intermediate platform wall bracket.
 - **Three** from the last intermediate platform wall bracket to the next stair wall bracket.
3. Platform A-frame wall brackets should be assembled like the platform layout shows in the instruction manual

3. Bottom Section Layout



Field Drill

Post is included in the stair platform
Cut to length at bottom

GREENE
GALVANIZED STAIR
www.greenestairs.com
Case: Lynn IL 60932
217-375-0244 / 217-375-4245 FAX

Drawn:	File:	1/1
ES4	ES4400 Stair Layout	
10/10/17	SCALE: 1/8" = 1'-0"	

Assemble Stair Sections

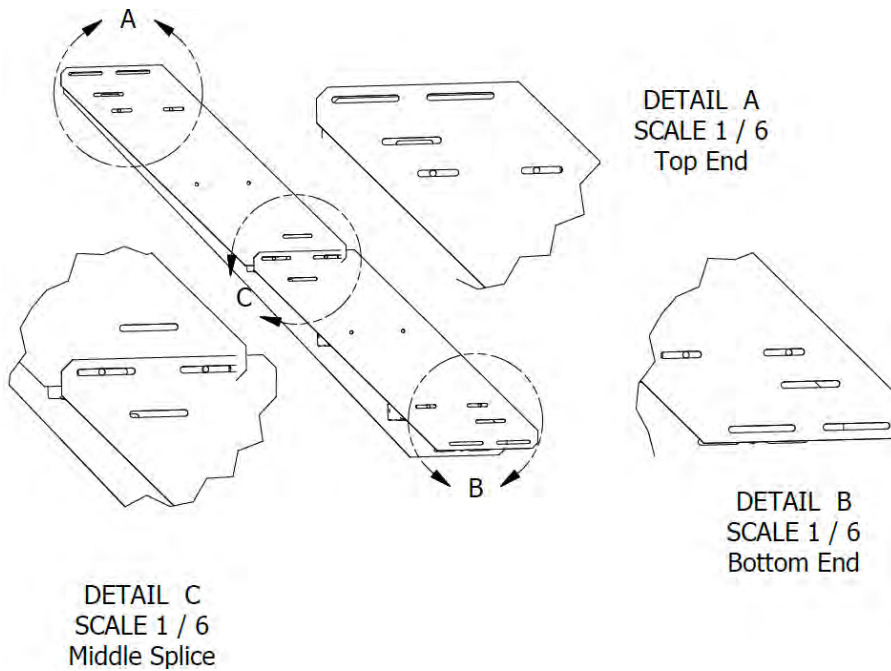
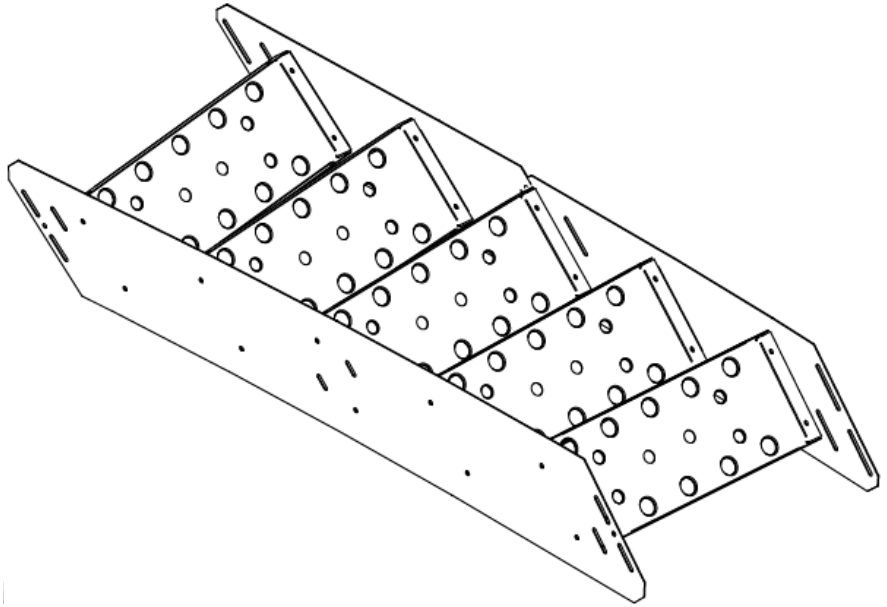
Painted end of Siderails are ALWAYS UP.

The ES4400 Stair Section has five steps. The A-frame attaches 4 bolt spaces (37.5") from the preceding A-frame.

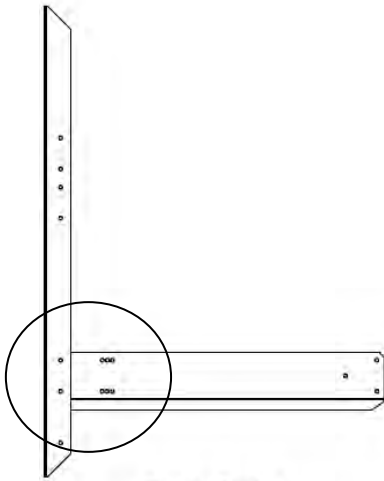
The Outside Siderails on ES4400 Stair Sections are two-piece

Attach the steps and tighten the steps to the inside Siderail also tighten

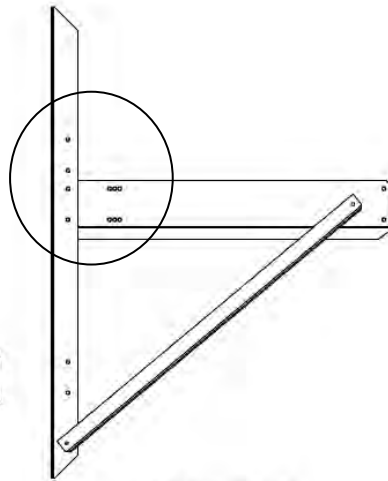
the round-hole connections to the outside Siderail but leave the slot connections loose for later adjustment.



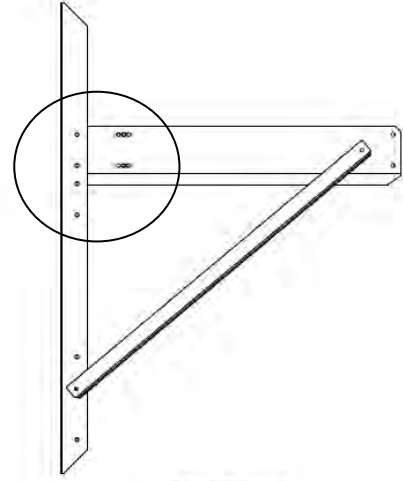
Assemble A-Frames



Bottom Bracket



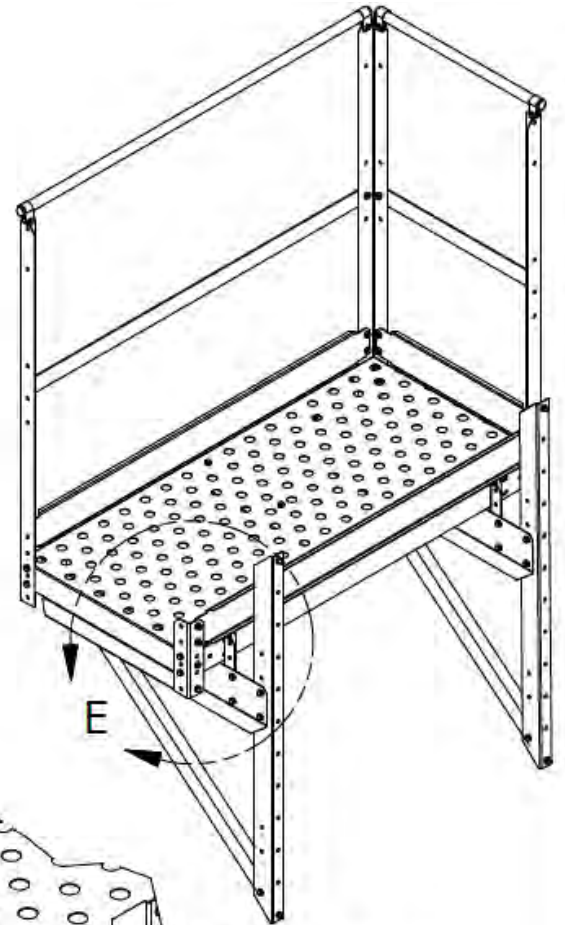
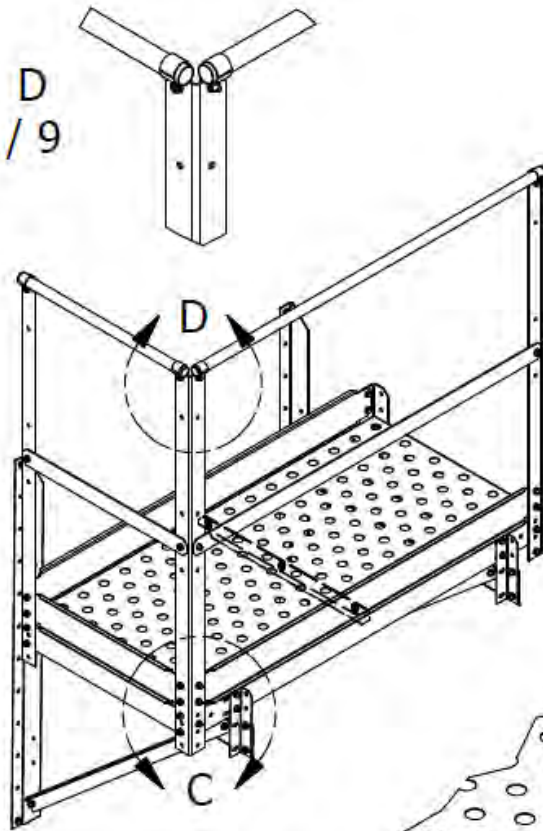
Platform Bracket



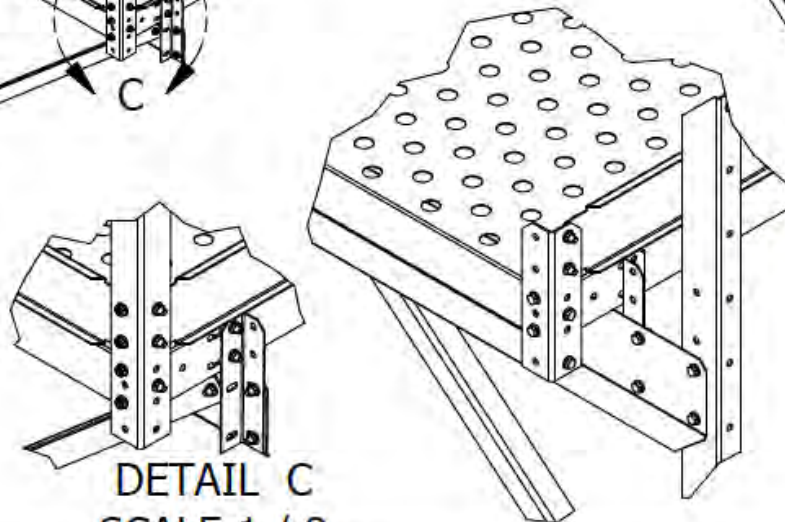
Stair Bracket

A-Frame Layout Drawing

DETAIL D
SCALE 1 / 9



DETAIL E
SCALE 1 / 9



DETAIL C
SCALE 1 / 9

GREENE
GALVANIZED STAIRS

www.greenestairs.com
East Lynn IL 60932
217-375-4344 / 217-375-4345 FAX

DATE	Rev	Rev	DATE
Rev	Rev	Rev	Rev
E53500 BOM			
REV	DESCRIPTION	DATE	BY
A	E53500 Stair Platform		
DO NOT SCALE			SHEET 3 OF 3

Assemble the Platform

These Instructions are for putting the stairs on as the bin is being built.

Attach the platform A-frames to begin installation.

IMPORTANT: See wall bracket layout drawing for up and down indicator on wall bracket

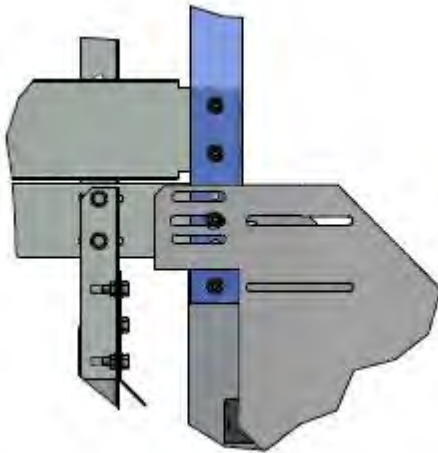
Attach the mid brace to the bottom of the platform skin through the pre punched holes.

Attach Platform Skin to A-frames with the four short platform mount posts.

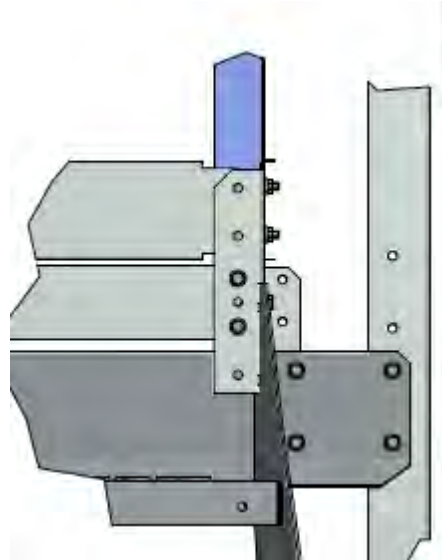
Attach the Platform posts and the kickboard post to the corners of the platform.

Attach the kick boards, hand and intermediate rails.

Attach Stair Section to platform with the hole in the platform skin and the bottom hole of the posts on the inside and outside Siderail. The shallow holes on the outside Siderail are for smaller bins (typ. 60' and under) and the deep holes are for larger bins. The top of the side rail is flush with deck to clear the kick board.



Outside Siderail Connection



Inside Entry Detail

Try to keep the inside Siderail as close to the center of the adjustment slot as possible to keep the stairs from creeping forward down the bin. Continue to monitor this as you put successive sections on by watching the connections on the short post to the Siderail. Stay as close as possible to center and keep post plumb.

Tighten Stair Sections from the inside out and from the top down. Always level the bottom step before tightening the outside Siderail splice. Use the slotted connections on the outside Siderail to adjust steps for even fan pattern.

Tighten all connections

Attach Stair Sections

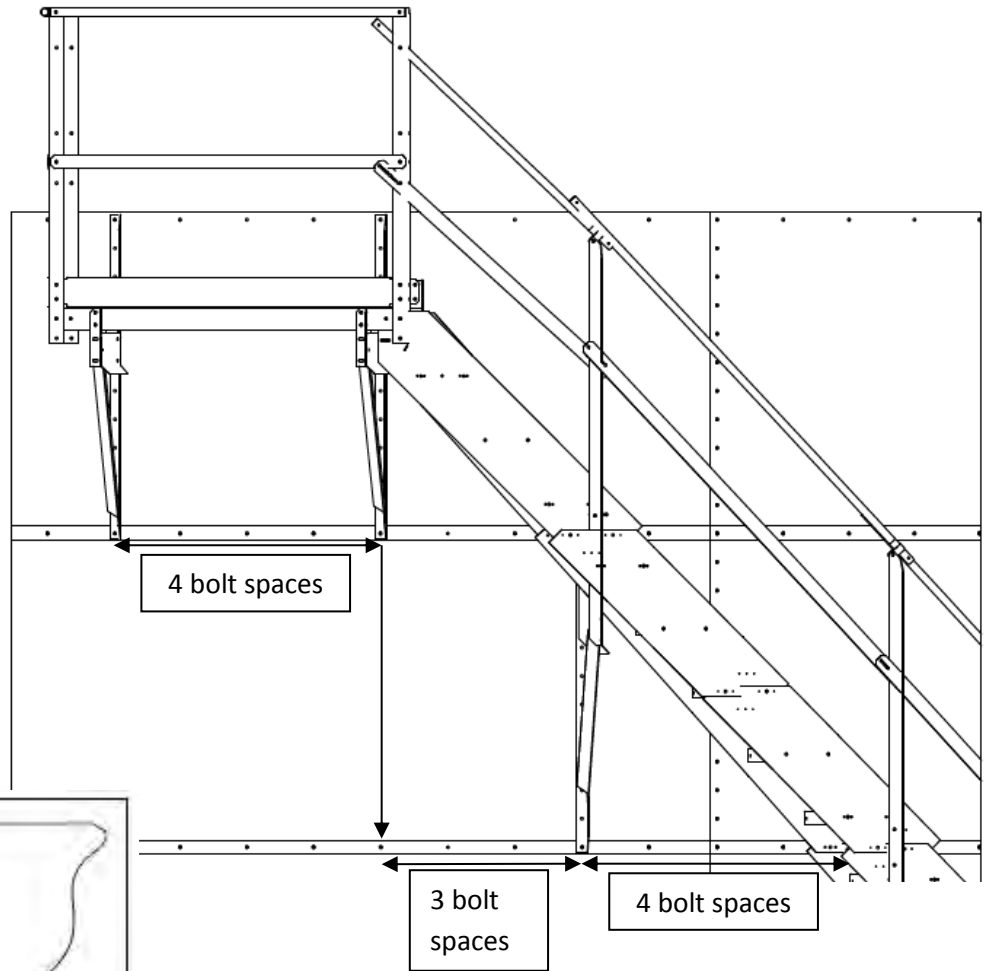
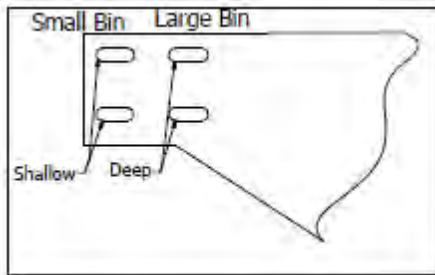
Attach the A-frame to the bottom of the Siderail using the top hole on the short post and the top hole (of the two) in the baluster post directly above the wall cross. After jacking the bin the A-frame will fit into place and be ready to attach the wall bracket to the bin wall.

The bin wall brackets call for one bolt at the top and bottom of the bracket on the horizontal bolt seam.

See layout section for attachment bolt spacing info.

When attaching ES4400 Stair Sections, use the same procedure as the Stair Section on the platform, except level the middle step and tighten the upper splice, then level the bottom step and tighten the middle splice.

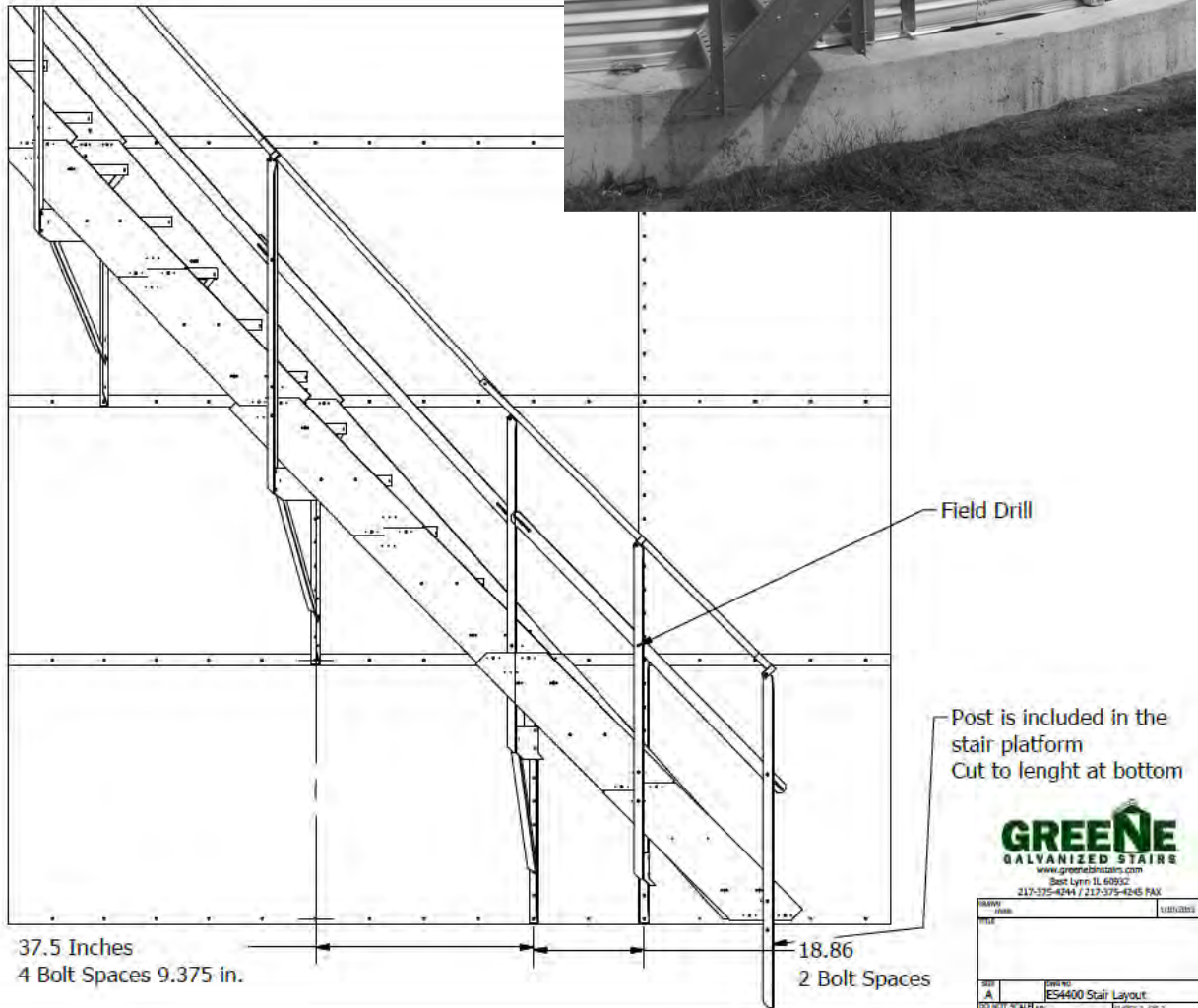
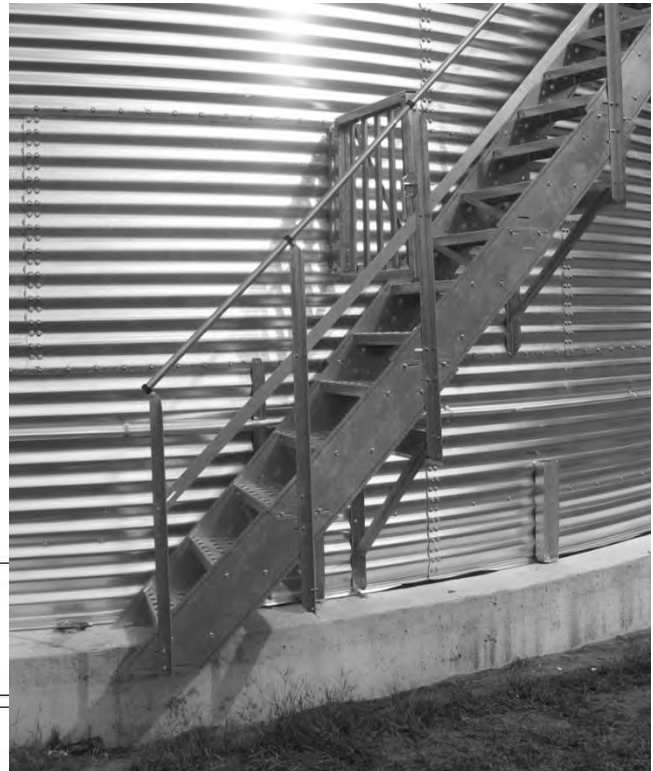
ES4400 wall brackets are spaced 4 bolt spaces, or 37.5" around the bin.



Attach Bottom Section

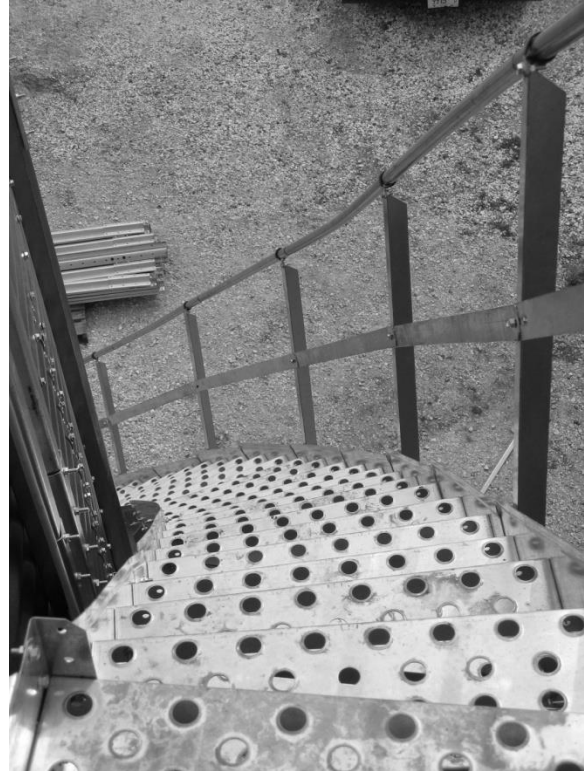
The bottom section uses a special configuration of the A-frame. For assembly see the A-frame drawing. It attaches in the middle of the Stair Section and it is two bolt spaces, or 18.75" +/- from the last wall mount.

There is an extra baluster post included with the platform that attaches to the bottom of the bottom section. This allows the handrail to end at the bottom of the stairs.



Attach Handrail

Shape the round handrail according to the circumference of the bin and attach them to the baluster posts using the coated “p-strap” with the **swaged end facing up** in the direction of the stair run. **The handrail clamp should be oriented outward. Insert the bolt through both holes on the handrail clamp, push the bolt through the hole in the baluster post, and fasten the nut to the outside so that the bolt head is on the inside of the stairs. Make sure the handrail clamp is fastened tightly together and the post is not between the two tabs. The bottom of each handrail section should be flush with the down hill edge of the Handrail Clamp. There is a self drilling screw for each stair section to screw the handrail into the handrail clamp.**



Intermediate rails bolt on the posts through the slots and are to be centered between each baluster post.

Recommended: Tubing Roll Former from Harbor Freight for Shaping Handrail to Bin Diameter.

Clamp it to the tailgate or make up a hitch adapter and have smooth shaped handrail.



Pittsburgh - Item#99736

**COLOR
CHART
GOES
HERE!**